

MASTER
Chef[®]



T360 Barbecue Assembly Manual

85-3052-6 (G30545) Propane

1 YEAR LIMITED WARRANTY

READ AND SAVE MANUAL FOR FUTURE REFERENCE.

Assemble your grill immediately.

Missing or damaged parts claims must be submitted within 30 days of purchase date.

**For product inquiries, parts, warranty and troubleshooting support,
please call 1-855-453-2150.**

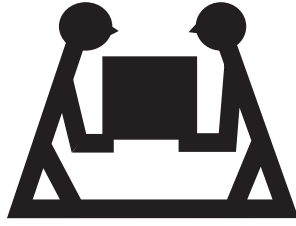
Manual Revision #: 12022013 PD



ANSI Z21.58-2012-C-SA 1.6B-2012
Outdoor Cooking Gas Appliances.



ANSI Z21.58-2012-C-SA 1.6B-2012
Outdoor Cooking Gas Appliances.



HEAVY ARTICLE NEEDS 2 TO LIFT

THIS MANUAL MUST REMAIN WITH THE PRODUCT AT ALL TIMES

To ORDER non-warranty replacement parts or accessories, or to register your warranty, please visit us on the web at

www.masterchefbbqs.com

⚠ CAUTION

Sharp edges. Wear gloves when assembling your grill.

⚠ CAUTION

Read and follow all safety statements, assembly instructions, use and care directions before attempting to assemble and cook.

⚠ INSTALLER OR ASSEMBLER/CONSUMER

This manual should be kept with the BBQ at all times.

⚠ WARNING

Failure to follow all of the Manufacturer's instructions could result in hazardous fires, explosions, property damage, or serious personal injury or even death.

Follow all leak check procedures carefully prior to operation of barbecue, even if grill was dealer assembled. Do not try to light this barbecue without reading the Lighting Instructions section of this manual.

⚠ DANGER

1. If you smell Gas:
 - a. Shut off gas to the appliance
 - b. Extinguish any open flame
 - c. Open lid
 - d. If odor continues, keep away from the appliance and immediately call your gas supplier or your fire department
 2. Do not store or use gasoline or other flammable vapours and liquids in the vicinity of this or any other appliance.
 3. An LP cylinder not connected for use shall not be stored in the vicinity of this or any other appliance.
 4. Requires two people to complete the assembly process.
 5. Beware of sharp edges.
-

THIS BARBECUE IS FOR OUTDOOR USE ONLY

CONTACT CALL CENTRE IF ANY PARTS ARE MISSING

1-855-453-2150

HARDWARE PACK

TOOLS NEEDED FOR ASSEMBLY

- #2 Phillips screwdriver (long and short)
- ¼" Slotted screwdriver (long and short)
- Adjustable wrench
- Pliers


















Before assembling the barbecue, read these instructions carefully.

Assemble the barbecue on a flat, clean surface. Grill is heavy. You should have at least two people assemble the barbecue together.

Notes: Do not fully tighten all the nuts during this initial stage.

| KEY # | DESCRIPTION | PART NUMBER | QUANTITY |
|-------|-----------------------|-----------------|----------|
| 1 | ¼"-20UNC Nut | 31220-13000-036 | 4 |
| 2 | ¼"-20UNCX13 Screw | 20120-13013-036 | 4 |
| 3 | ¼"-20UNCX30 Screw | 20120-13030-036 | 4 |
| 4 | NO.10-24UNC Nut | 31224-10000-036 | 42 |
| 5 | NO.10-24UNCX13 Screw | 20124-10013-036 | 19 |
| 6 | NO.10-24UNCX30 Screw | 20124-10030-036 | 16 |
| 7 | NO.10-24UNCX50 Screw | 20124-10050-036 | 12 |
| 8 | ST4.2X8 Tapping Screw | 24200-42008-136 | 11 |
| 9 | φ6.5 Fiber Washer | G431-0018-9000 | 4 |
| 10 | φ5 Fiber Washer A | G437-0050-9000 | 26 |
| 11 | ¼"-20UNC Wing Nut | 33300-13000-032 | 2 |
| 12 | Wing Screw | G306-0025-9084 | 1 |
| 13 | Bolt | G306-0004-9188 | 4 |
| 14 | Hitch Pin | G306-0005-9088 | 5 |
| 15 | Wheel Washer A | G305-0024-9088 | 1 |
| 16 | Side Shelf Washer | A006-0006-9000 | 8 |
| 17 | Wheel Washer B | G305-0058-9088 | 1 |

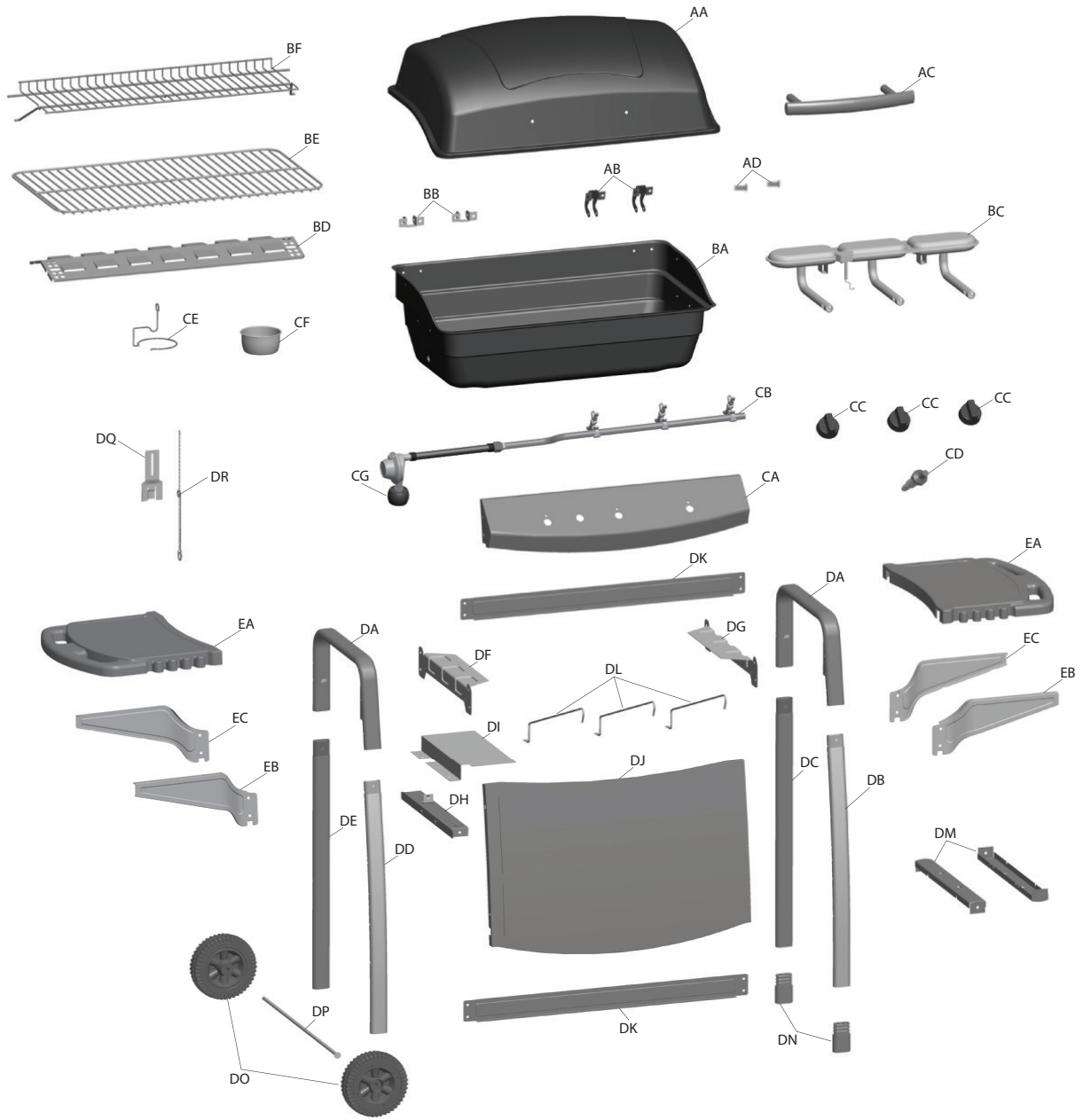
⚠ Caution:
Sheet metal can cause injury. Wear gloves when installing the grill.

| | | | |
|--|--|--|---|
| <p>1 </p> <p>¼"-20UNC Nut X 4</p> | <p>2 </p> <p>¼"-20UNCX13 Screw X 4</p> | <p>3 </p> <p>¼"-20UNCX30 Screw X 4</p> | <p>4 </p> <p>NO.10-24UNC Nut X 42</p> |
| <p>5 </p> <p>NO.10-24UNCX13 Screw X 19</p> | <p>6 </p> <p>NO.10-24UNCX30 Screw X 16</p> | <p>7 </p> <p>NO.10-24UNCX50 Screw X 12</p> | <p>8 </p> <p>ST4.2X8 Tapping Screw X 11</p> |
| <p>9 </p> <p>φ6.5 Fiber Washer X 4</p> | <p>10 </p> <p>φ5 Fiber Washer A X 26</p> | <p>11 </p> <p>¼"-20UNC Wing Nut X 2</p> | <p>12 </p> <p>Wing Screw X 1</p> |
| <p>13 </p> <p>Bolt X 4</p> | <p>14 </p> <p>Hitch Pin X 5</p> | <p>15 </p> <p>Wheel Washer A X 1</p> | <p>16 </p> <p>Side Shelf Washer X 8</p> |
| <p>17 </p> <p>Wheel Washer B X 1</p> | | | |

PARTS LIST (PROPANE) FOR 85-3052-6 (G30545)

| KEY # | QUANTITY | DESCRIPTION | PART NO. |
|-------|----------|---------------------------|--------------|
| AA | 1 | Top Lid Assembly | G305-0R01-01 |
| AB | 2 | Upper Hinge | G206-0002-03 |
| AC | 1 | Lid Handle | G305-0090-01 |
| AD | 2 | Lid Bumper | G560-5002-01 |
| BA | 1 | Burner Box Assembly | G305-0S01-01 |
| BB | 2 | Lower Hinge | G206-0010-03 |
| BC | 1 | Burner | G305-AD00-01 |
| BD | 1 | Flame Tamer | G305-0078-01 |
| BE | 1 | Cooking Grate | G305-0006-01 |
| BF | 1 | Warming Rack | G305-0080-01 |
| CA | 1 | Control Panel | G305-AU01-01 |
| CB | 1 | Manifold Assembly | G305-AV00-01 |
| CC | 3 | Control Knob | G432-0090-01 |
| CD | 1 | Ignitor | G206-0701-01 |
| CE | 1 | Grease Cup Hook | G305-0043-01 |
| CF | 1 | Grease Cup | G430-0033-02 |
| CG | 1 | Regulator | G305-0056-01 |
| DA | 2 | Upper Leg Support Bars | G305-0600-01 |
| DB | 1 | Cart Leg, Right, Front | G305-0017-01 |
| DC | 1 | Cart Leg, Right, Rear | G305-0018-01 |
| DD | 1 | Cart Leg, Left, Front | G305-0019-01 |
| DE | 1 | Cart Leg, Left, Rear | G305-0020-01 |
| DF | 1 | Burner Box Support, Left | G305-0030-02 |
| DG | 1 | Burner Box Support, Right | G305-0031-02 |
| DH | 1 | Side Brace | G305-0700-01 |
| DI | 1 | Heat Shield | G210-0012-01 |
| DJ | 1 | Front Panel | G305-0U00-01 |
| DK | 2 | Back Brace | G305-0010-01 |
| DL | 3 | Tank Exclusion | G434-0056-01 |
| DM | 2 | Support Bracket | G305-0021-01 |
| DN | 2 | End Caps, Cart legs | G208-0012-01 |
| DO | 2 | Wheel | G206-0025-01 |
| DP | 1 | Wheel Axle | G305-0059-01 |
| DQ | 1 | Tank Retainer Clip | G306-0020-01 |
| DR | 1 | Match Holder | G401-0079-01 |
| EA | 2 | Side Shelf | E201-0009-02 |
| EB | 2 | Side Shelf Bracket, Front | G305-0082-01 |
| EC | 2 | Side Shelf Bracket, Rear | G305-0083-01 |
| F1 | 1 | Hardware Pack | G305-B045-01 |
| F2 | 1 | Assembly Manual | G305-M045-01 |
| F3 | 1 | Safe Use and Care Manual | G451-M018-02 |

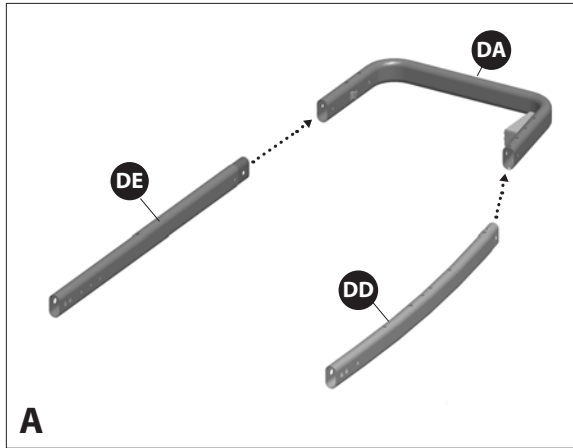
EXPLODED DIAGRAM (PROPANE) FOR 85-3052-6 (G30545)



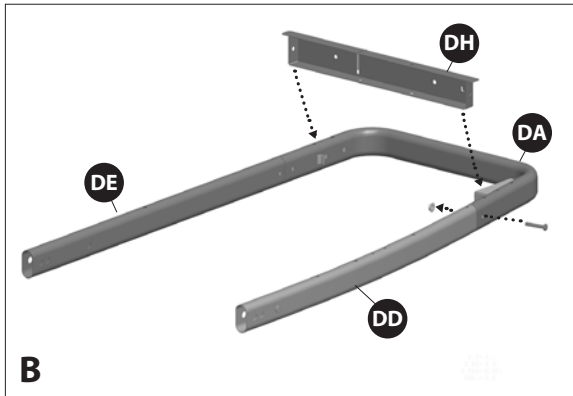
- F1
HARDWARE
PACK
- F2
ASSEMBLY
MANUAL
- F3
SAFETY
AND CARE
MANUAL

ASSEMBLY INSTRUCTIONS

1

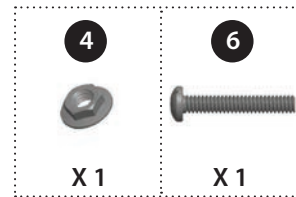


Insert Left Cart Legs (DD & DE) into the Upper Leg Support Bar (DA), as shown.

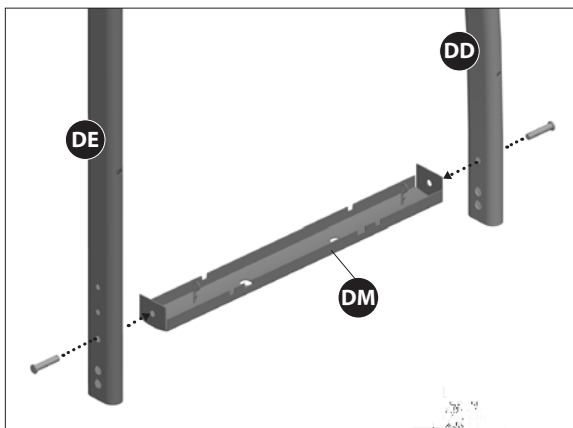


Attach Side Brace (DH) to left front Cart Leg (DD) using hardware, as shown in figure B.

YOU WILL NEED:

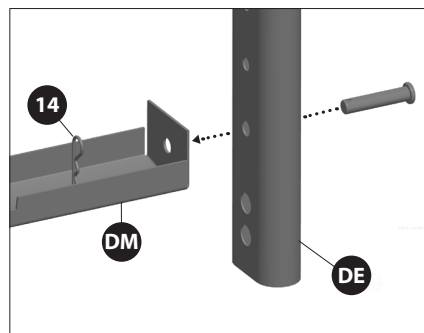
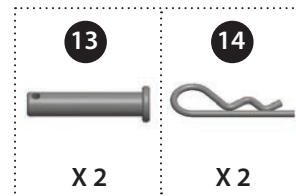


2



Attach the Support Bracket (DM) to the bottom of the left Cart Legs (DD & DE), as shown. Ensure that the hardware is assembled through the third hole from the bottom of the Cart Legs.

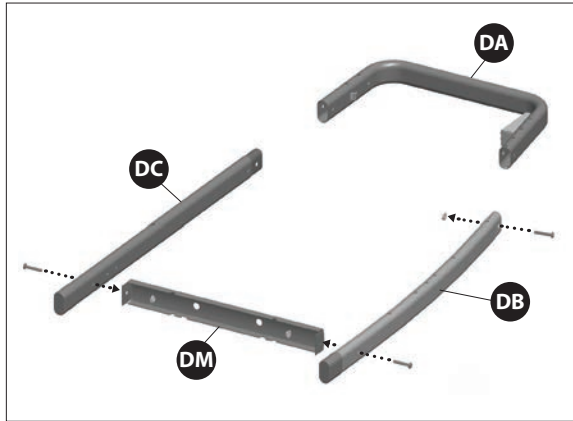
YOU WILL NEED:



Close Up

ASSEMBLY INSTRUCTIONS

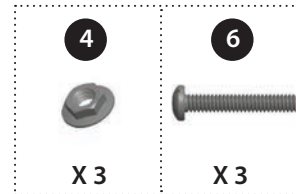
3



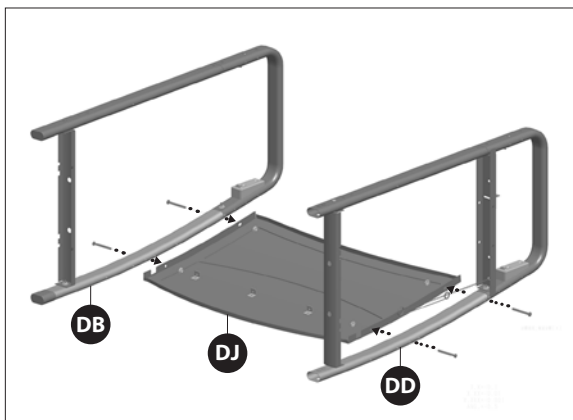
Insert Right Cart Legs (DB & DC) into the Upper Leg Support Bar (DA), as shown. Secure the Right, Front Cart Leg (DB) to the Upper Leg Support Bar (DA) using hardware, as shown.

Attach the Support Bracket (DM) to the bottom of the right Cart Legs, as shown.

YOU WILL NEED:

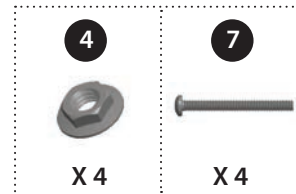


4



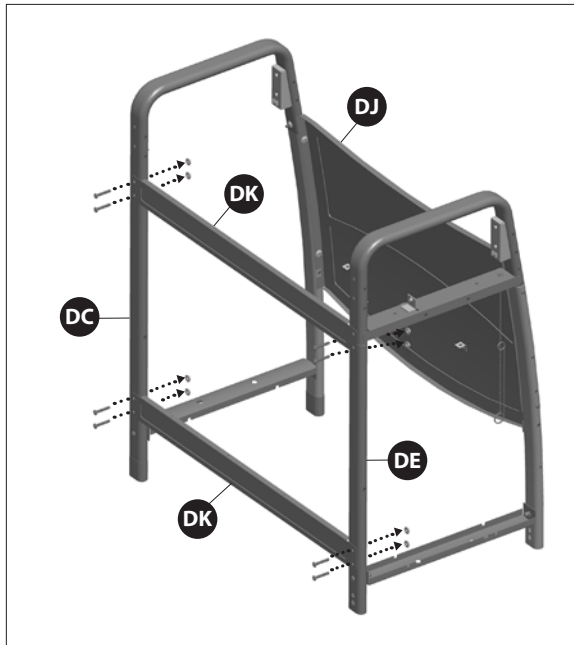
Assemble the Front Panel (DJ) to the Left and Right Front Cart Legs (DB & DD), as shown.

YOU WILL NEED:



ASSEMBLY INSTRUCTIONS

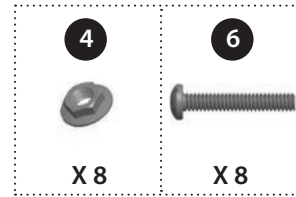
5



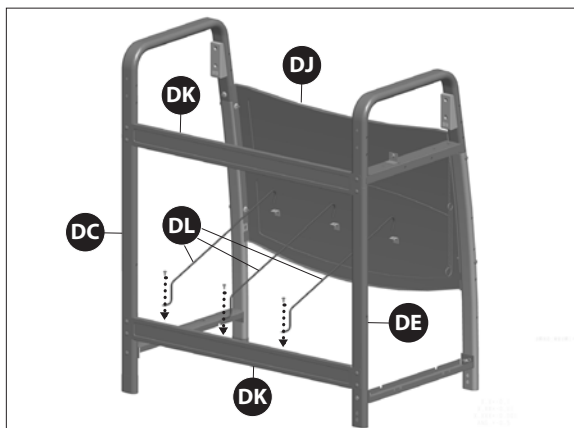
Back view

Assemble the two Back Braces (DK) to the left and right rear Cart Legs (DC & DE), as shown.

YOU WILL NEED:



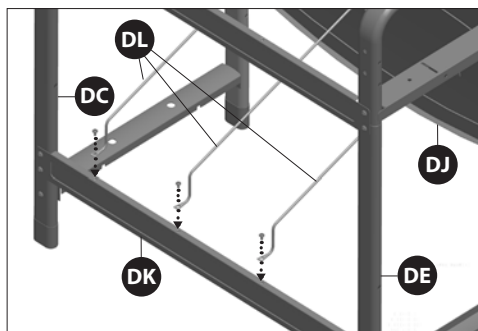
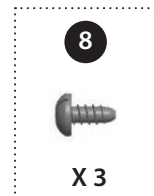
6



Back view

Attach the three Tank Exclusion rails (DL) to the Front Panel (DJ) and the lower Back Brace (DK), as shown. Secure using hardware.

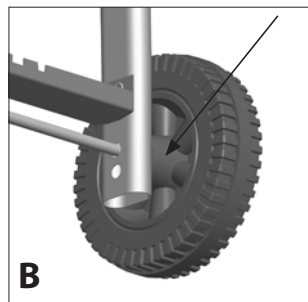
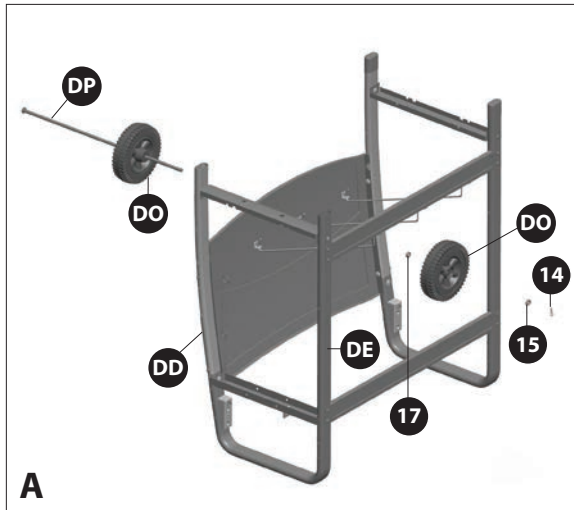
YOU WILL NEED:



Close Up

ASSEMBLY INSTRUCTIONS

7



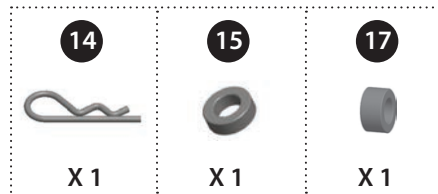
Close Up

NOTE: Turn cart assembly upside down.

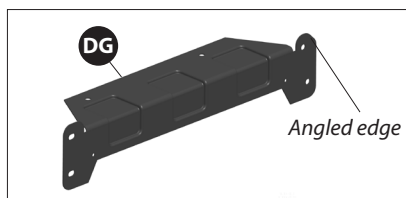
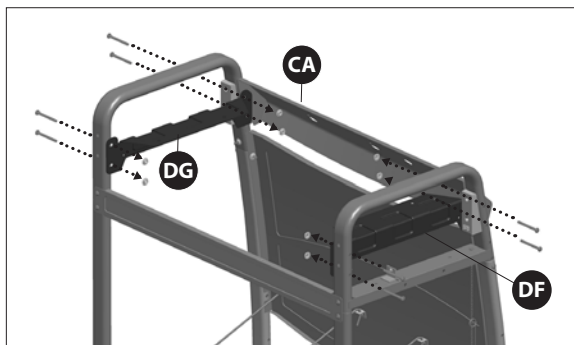
Place Wheel (DO) onto the Wheel Axle (DP). "Cone" side of wheel should be against cart leg, as shown in figure B.

Insert Wheel Axle (DP) through wheel axle hole in the front and rear, of the Left Cart Legs (DD & DE), as shown. The wheel axle hole is the second hole from the bottom of the left Cart Legs (DD & DE). To complete wheel assembly, position the Wheel Washer B (#17), Wheel (DO), Wheel Washer A (#15) and Hitch Pin (#14), onto Wheel Axle (DP).

YOU WILL NEED:



8



Close Up

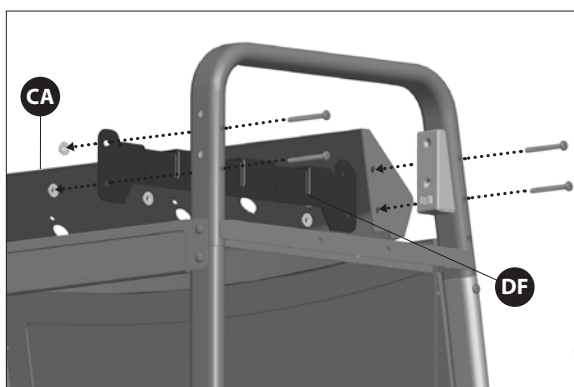
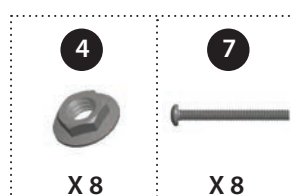
a. Assemble only the rear left Burner Box Support (DF), and the rear right Burner Box Support (DG) first. The angled edge of the Burner Box Supports (DF & DG) should be positioned towards the front of the unit.

b. Assemble the Control Panel (CA) together with the front left and right Burner Box Support (DF & DG).

TIP: One person should align the Burner Box Supports (DF & DG) and the Control Panel (CA), while the second person assembles the hardware.

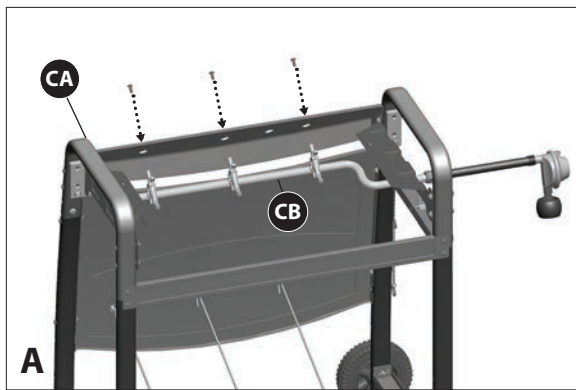
Only tighten all hardware once correct assembly has been verified.

YOU WILL NEED:



ASSEMBLY INSTRUCTIONS

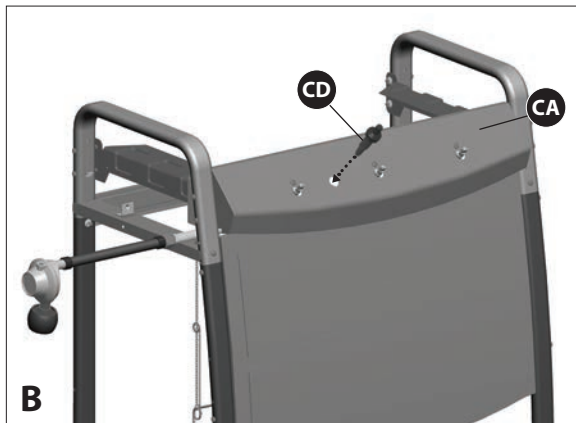
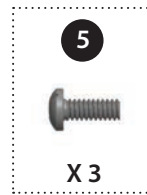
9



Back view

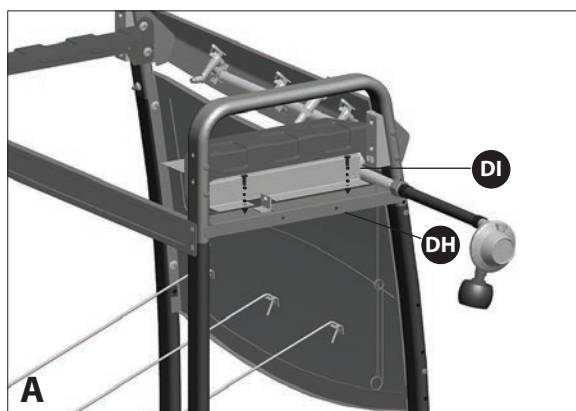
- a. Position the Manifold Assembly (CB) through the back of the Control Panel (CA), and assemble.

YOU WILL NEED:



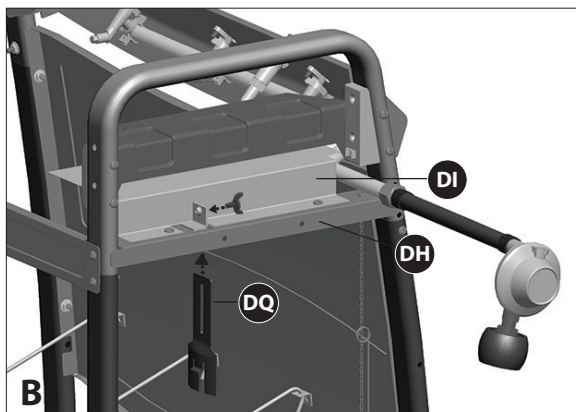
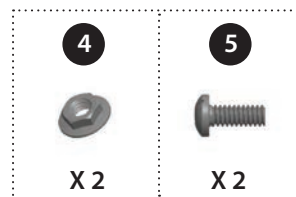
- b. Assemble the Igniter (CD) through the front of the Control Panel (CA), as shown.

10



- a. Assemble the Heat Shield (DI) to the Side Brace (DH), as shown.

YOU WILL NEED:



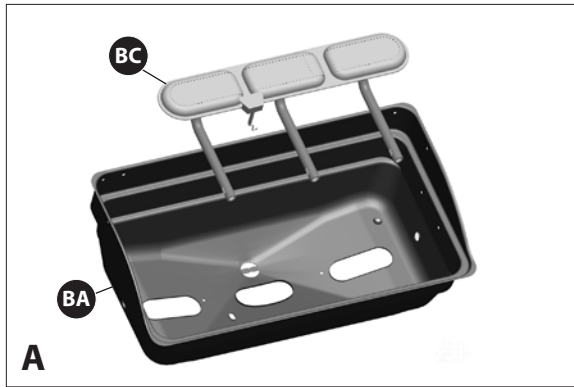
- b. Insert the Tank Retainer Clip (DQ) into the Side Brace (DH), as shown and secure using a wing screw.

YOU WILL NEED:



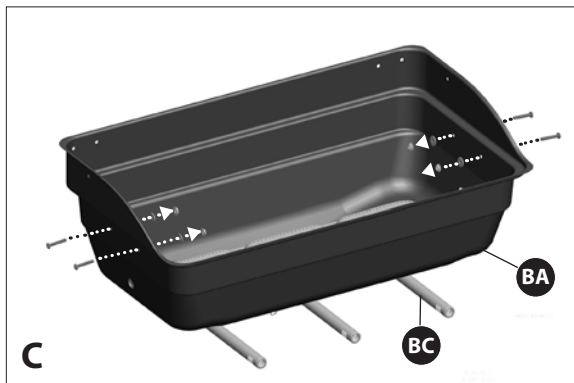
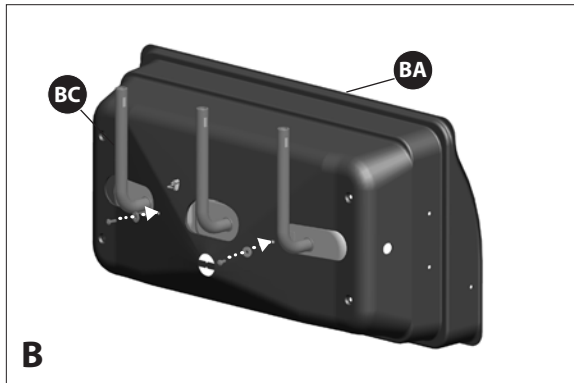
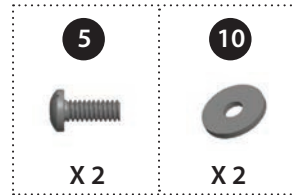
ASSEMBLY INSTRUCTIONS

11



a. Assemble the Burner (BC) into the Burner Box Assembly (BA), with the burner venturi tubes facing forward, as shown in figure A and B.

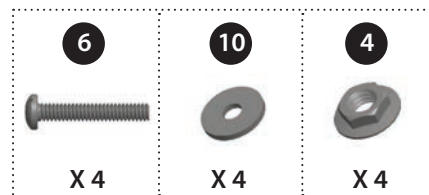
YOU WILL NEED:



b. Assemble hardware into Burner Box Assembly (BA), as shown in figure C.

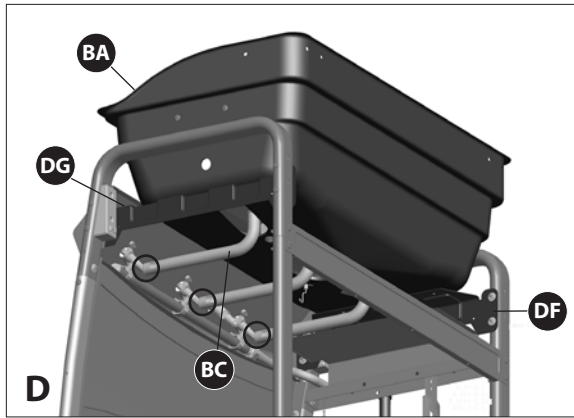
NOTE: This hardware will be used in a later step to support the Flame Tamer (BD).

YOU WILL NEED:



ASSEMBLY INSTRUCTIONS

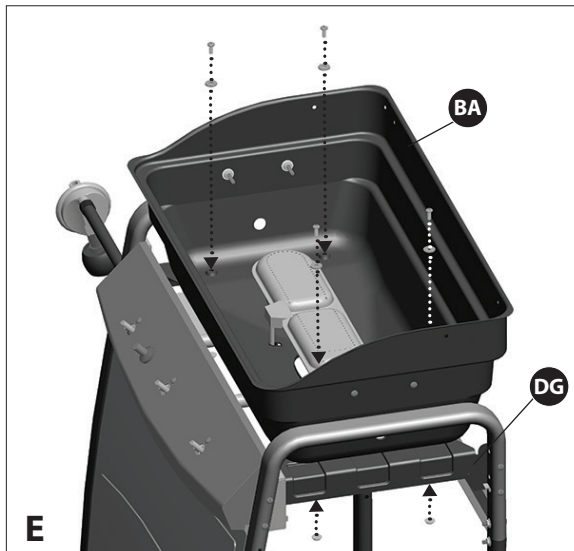
11



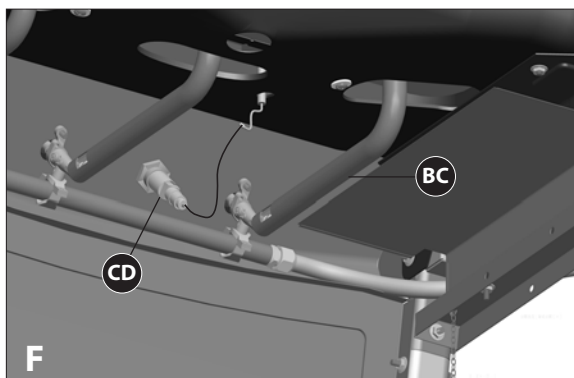
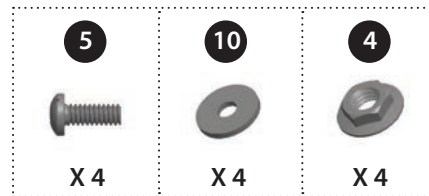
c. Position the Burner Box Assembly (BA) onto the Burner Box Supports (DF & DG), as shown in figure D.

ATTENTION: Before assembling, ensure the Burner (BC) engages the Manifold Assembly valves (CB).

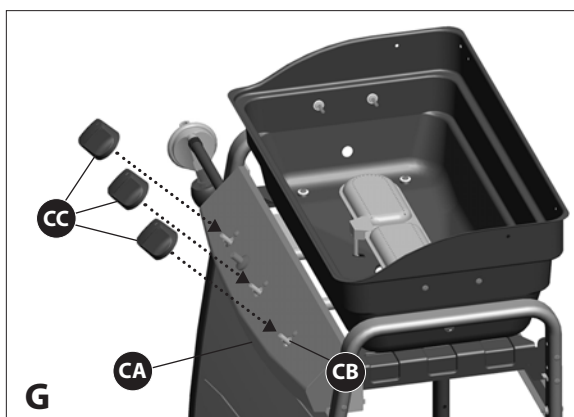
Attach the Burner Box Assembly (BA) to the Burner Box Support (DF & DG), as shown in figure E.



YOU WILL NEED:



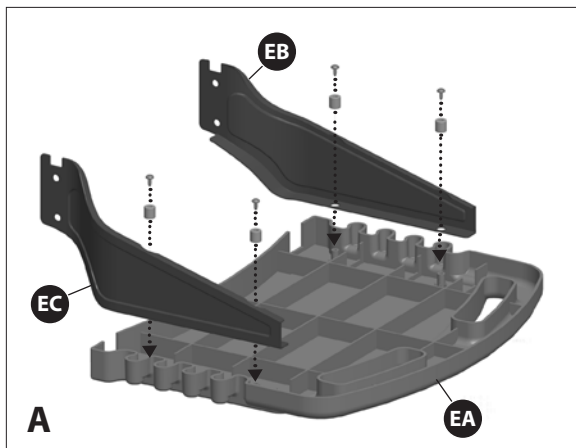
d. Attach the Burner Electrode Wire to the Igniter (CD), as shown.



e. Position the Control Knobs (CC) onto Valve stems (CB).

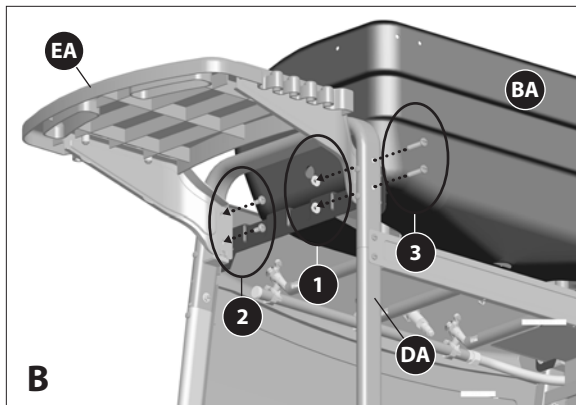
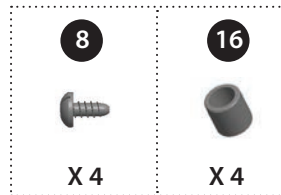
ASSEMBLY INSTRUCTIONS

12



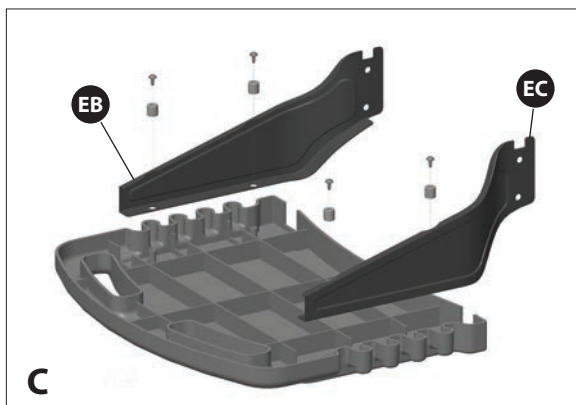
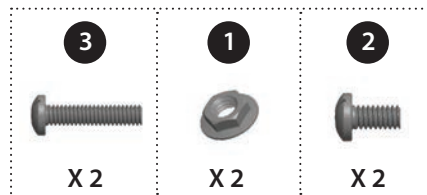
a. Assemble the front and rear right Side Shelf Brackets (EB & EC) to the Right Side Shelf (EA), as shown.

YOU WILL NEED:



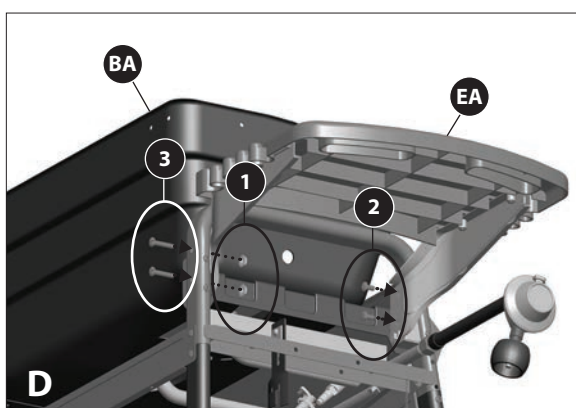
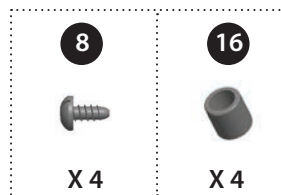
b. Assemble the right Side Shelf (EA) to the Upper Leg Support Bar (DA), as shown.

YOU WILL NEED:



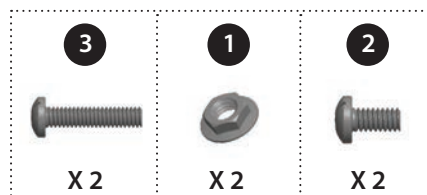
c. Assemble the front and rear Left Side Shelf Brackets (EB & EC) to the Left Side Shelf (EA), as shown in figure C.

YOU WILL NEED:



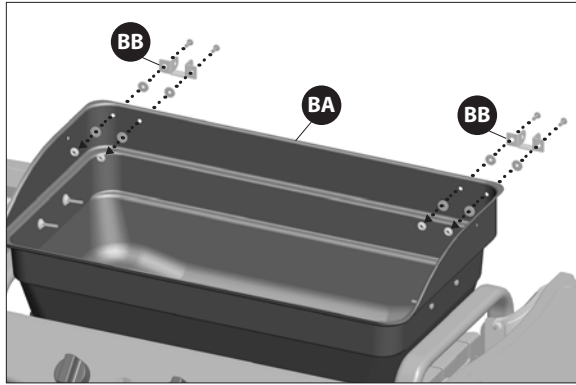
d. Assemble the Left Side Shelf (EA) to the Upper Leg Support Bar (DA), as shown in figure D.

YOU WILL NEED:



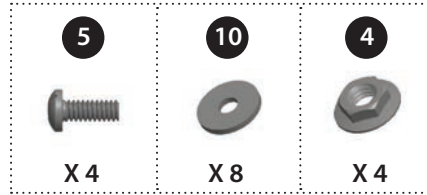
ASSEMBLY INSTRUCTIONS

13

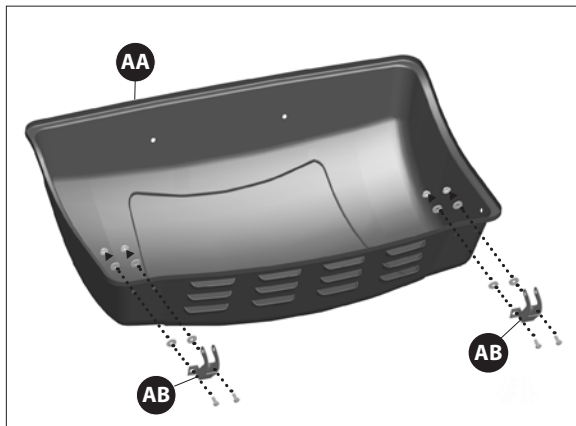


Assemble the Lower Hinge (BB) on the back of the Burner Box Assembly (BA), as shown.

YOU WILL NEED:

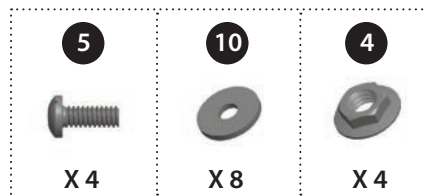


14



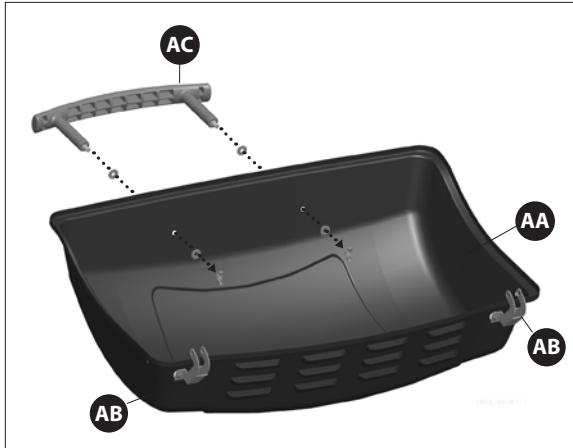
Assemble the Upper Hinge (AB) to the Top Lid Assembly (AA).

YOU WILL NEED:



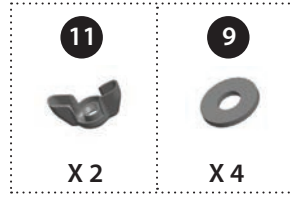
ASSEMBLY INSTRUCTIONS

15

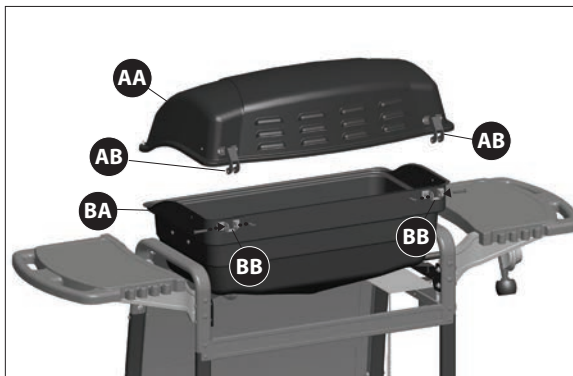


a. Assemble the Lid Handle (AC) to the Top Lid Assembly (AA).

YOU WILL NEED:

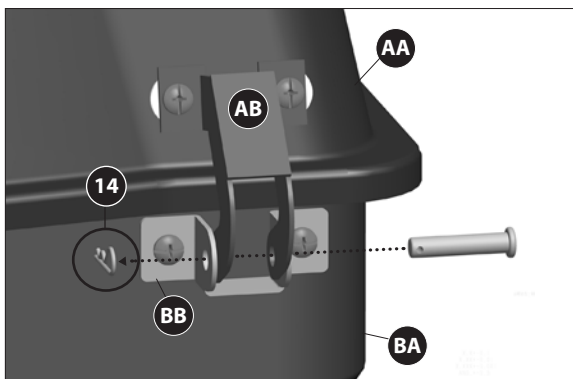
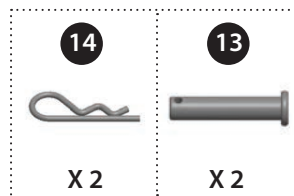


16



To assemble the Top Lid Assembly (AA) to the Burner Box Assembly (BA), position the Upper Hinge (AB) in between the Lower Hinge (BB), position hardware and lock into place using the Hitch Pins (#14).

YOU WILL NEED:



ASSEMBLY INSTRUCTIONS

17



Position the Flame Tamer (BD) into the Burner Box Assembly (BA).

Note: *The Flame Tamer (BD) should be placed onto the hardware assembled in step 11d.*

Position the Cooking Grate (BE) into the Burner Box Assembly (BA).

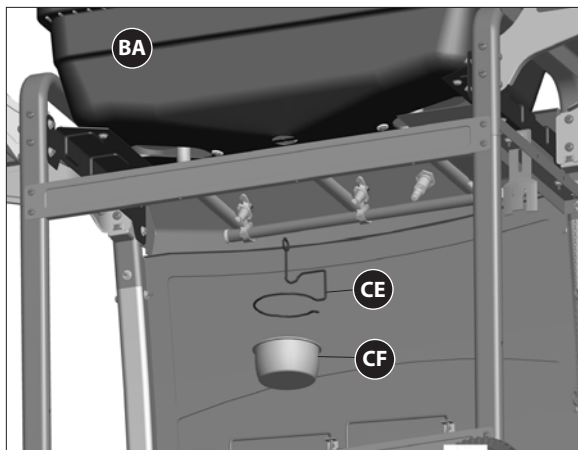
18



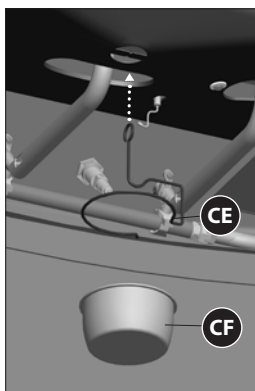
To assemble the Warming Rack (BF), insert the stationary wire into the holes on the sides of the lid. Insert Warming Rack (BF) pivot legs into the holes inside of the Burner Box Assembly (BA), as shown.

ASSEMBLY INSTRUCTIONS

19



Hook the Grease Cup Hook (CE) to the bottom of the Burner Box Assembly (BA), as shown. Place the Grease Cup (CF) into the Grease Cup Hook (CE).

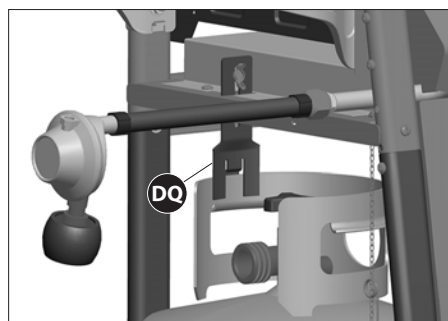


Close Up

20



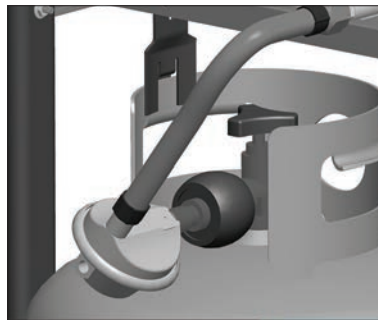
a. Loosen the wing nut from the Tank Retainer Clip (DQ). Set bottom of the tank into notches located on the left Support Bracket (DM). Position Tank Retainer Clip (DQ) onto tank collar and tighten wing nut.



Close up

ASSEMBLY INSTRUCTIONS

20



Close Up

b. Attach the Regulator coupling nut (CG) to the LP cylinder valve.

▲ ATTENTION

LP Cylinder is sold separately. Use only LP tanks that are equipped with an OPD (Overfill protection device). Fill and Leak check before attaching to the BBQ hose and regulator. See Safe Use and Care Manual, leak test procedure for more information.

▲ WARNING

Always keep LP cylinder in upright position during use, transport and storage.



Visit **www.masterchefbbqs.com**
to complete product registration

Master Chef® Customer Service
1-855-453-2150

Trileaf Distributions Trifeuil
Toronto, Ontario M4S 2B8