

MASTER
*Chef*TM



T360 Barbecue Assembly Manual

85-3052-6 (G30531) Propane

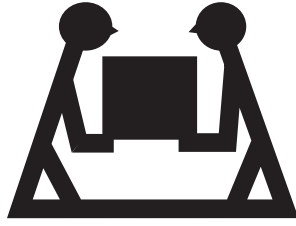
1 YEAR LIMITED WARRANTY

READ AND SAVE MANUAL FOR FUTURE REFERENCE.

**If pre-assembled, leave this manual with unit for
consumer's future reference.**

**For product inquiries, parts, warranty and
troubleshooting support, please call 1-877-707-5463.**





HEAVY ARTICLE NEEDS 2 TO LIFT

THIS MANUAL MUST REMAIN WITH THE PRODUCT AT ALL TIMES

To ORDER non-warranty replacement parts or accessories, or to register your warranty, please visit us on the web at

www.masterchefbbqs.com

⚠ CAUTION

Sharp edges. Wear gloves when assembling your grill.

⚠ CAUTION

Read and follow all safety statements, assembly instructions, use and care directions before attempting to assemble and cook.

⚠ INSTALLER OR ASSEMBLER/CONSUMER

This manual should be kept with the BBQ at all times.

⚠ WARNING

Failure to follow all of the Manufacturer's instructions could result in hazardous fires, explosions, property damage, or serious personal injury or even death.

Follow all leak check procedures carefully prior to operation of barbecue, even if grill was dealer assembled. Do not try to light this barbecue without reading the Lighting Instructions section of this manual.

⚠ DANGER

1. If you smell Gas:
 - a. Shut off gas to the appliance
 - b. Extinguish any open flame
 - c. Open lid
 - d. If odor continues, keep away from the appliance and immediately call your gas supplier or your fire department
 2. Do not store or use gasoline or other flammable vapours and liquids in the vicinity of this or any other appliance.
 3. An LP cylinder not connected for use shall not be stored in the vicinity of this or any other appliance.
 4. Requires two people to complete the assembly process.
 5. Beware of sharp edges.
-

THIS BARBECUE IS FOR OUTDOOR USE ONLY

CONTACT CALL CENTRE IF ANY PARTS ARE MISSING

1-877-707-5463

HARDWARE PACK

TOOLS NEEDED FOR ASSEMBLY

- #2 Phillips screwdriver (long and short)
- ¼" Slotted screwdriver (long and short)
- Adjustable wrench
- Pliers






















Before assembling the barbecue, read these instructions carefully.

Assemble the barbecue on a flat, clean surface. Grill is heavy. You should have at least two people assemble the barbecue together.

Notes: Do not fully tighten all the nuts during this initial stage.

KEY #	DESCRIPTION	PART NUMBER	QUANTITY
1	¼"-20UNC Nut	31220-13000-036	4
2	¼"-20UNCX13 Screw	20120-13013-036	4
3	¼"-20UNCX30 Screw	20120-13030-036	4
4	NO.10-24UNC Nut	31224-10000-036	42
5	NO.10-24UNCX13 Screw	20124-10013-036	23
6	NO.10-24UNCX30 Screw	20124-10030-036	16
7	NO.10-24UNCX50 Screw	20124-10050-036	12
8	NO.8-32UNCX10 Screw	20132-08010-036	2
9	ST4.2X8 Tapping Screw	24200-42008-136	7
10	φ6.5 Fiber Washer	G431-0018-9000	4
11	φ5 Fiber Washer A	G437-0050-9000	26
12	φ5 Fiber Washer B	G437-0049-9000	1
13	¼"-20UNC Wing Nut	33300-13000-032	2
14	NO.8 Wing Nut	33300-08000-032	1
15	Wing Screw	G306-0025-9084	1
16	Bolt	G306-0004-9188	4
17	Hitch Pin	G306-0005-9088	5
18	Wheel Washer A	G305-0024-9088	1
19	Side Shelf Washer	A006-0006-9000	4
20	Venturi Clip, Side Burner	G305-0057-9000	1
21	Wheel Washer B	G305-0058-9088	1

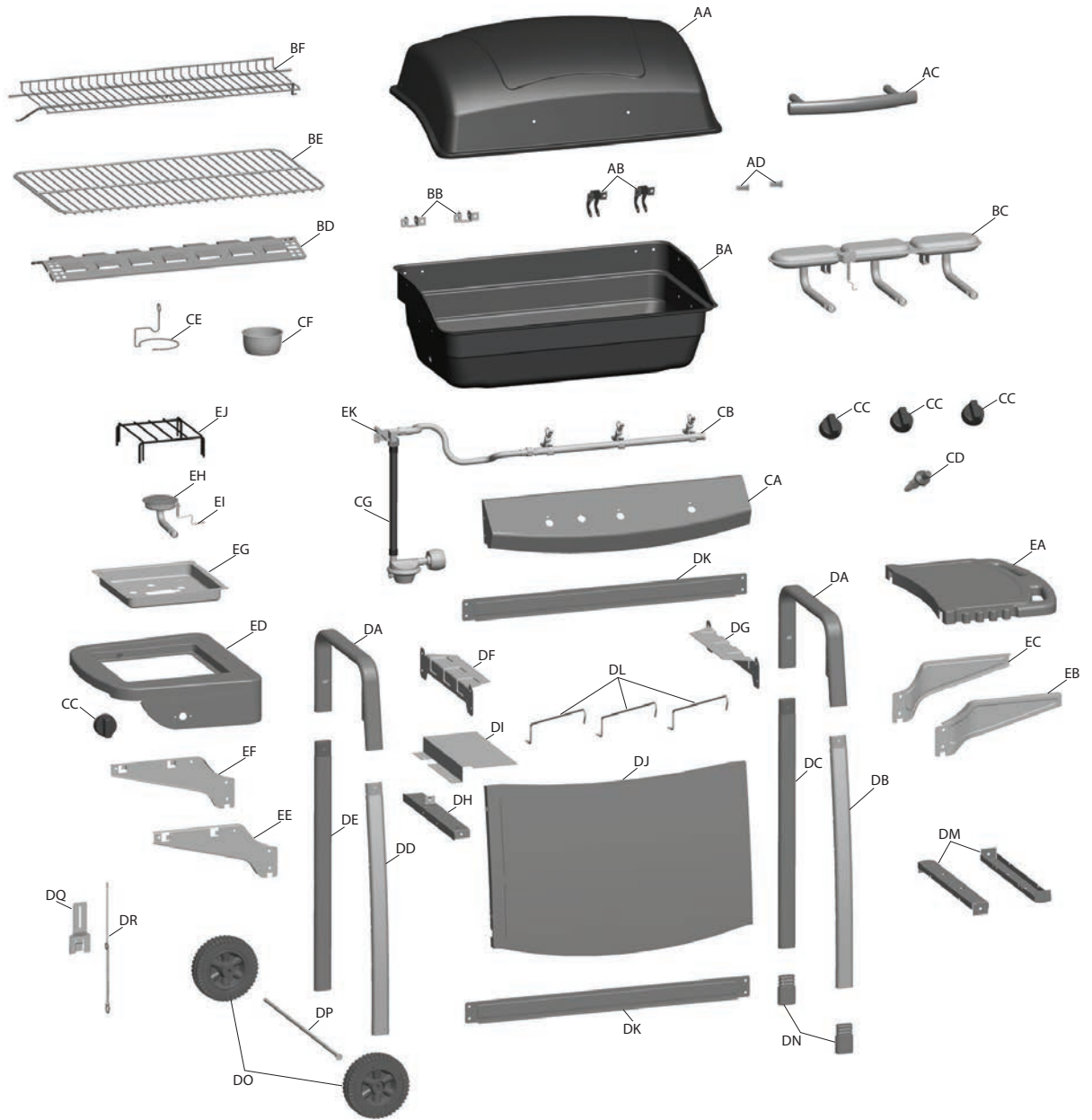
⚠ Caution:
Sheet metal can cause injury. Wear gloves when installing the grill.

<p>1</p>  <p>¼"-20UNC Nut X 4</p>	<p>2</p>  <p>¼"-20UNCX13 Screw X 4</p>	<p>3</p>  <p>¼"-20UNCX30 Screw X 4</p>	<p>4</p>  <p>NO.10-24UNC Nut X 42</p>
<p>5</p>  <p>NO.10-24UNCX13 Screw X 23</p>	<p>6</p>  <p>NO.10-24UNCX30 Screw X 16</p>	<p>7</p>  <p>NO.10-24UNCX50 Screw X 12</p>	<p>8</p>  <p>NO.8-32UNCX10 Screw X 2</p>
<p>9</p>  <p>ST4.2X8 Tapping Screw X 7</p>	<p>10</p>  <p>φ6.5 Fiber Washer X 4</p>	<p>11</p>  <p>φ5 Fiber Washer A X 26</p>	<p>12</p>  <p>φ5 Fiber Washer B X 1</p>
<p>13</p>  <p>¼"-20UNC Wing Nut X 2</p>	<p>14</p>  <p>NO.8 Wing Nut X 1</p>	<p>15</p>  <p>Wing Screw X 1</p>	<p>16</p>  <p>Bolt X 4</p>
<p>17</p>  <p>Hitch Pin X 5</p>	<p>18</p>  <p>Wheel Washer A X 1</p>	<p>19</p>  <p>Side Shelf Washer X 4</p>	<p>20</p>  <p>Venturi Clip, Side Burner X 1</p>
<p>21</p>  <p>Wheel Washer B X 1</p>			

PARTS LIST (PROPANE) FOR 85-3052-6 (G30531)

KEY #	QUANTITY	DESCRIPTION	PART NO.
AA	1	Top Lid Assembly	G305-0R01-01
AB	2	Upper Hinge	G206-0002-03
AC	1	Lid Handle	G305-0090-01
AD	2	Lid Bumper	G560-5002-01
BA	1	Burner Box Assembly	G305-0S01-01
BB	2	Lower Hinge	G206-0010-03
BC	1	Burner	G305-AD00-01
BD	1	Flame Tamer	G305-0078-01
BE	1	Cooking Grate	G305-0006-01
BF	1	Warming Rack	G305-0080-01
CA	1	Control Panel	G305-0T01-01
CB	1	Manifold Assembly	G305-0V00-01
CC	4	Control Knob	G432-0090-01
CD	1	Ignitor	G206-0301-01
CE	1	Grease Cup Hook	G305-0043-01
CF	1	Grease Cup	G430-0033-02
CG	1	Regulator	G305-0056-01
DA	2	Upper Leg Support Bars	G305-0600-01
DB	1	Cart Leg, Right, Front	G305-0017-01
DC	1	Cart Leg, Right, Rear	G305-0018-01
DD	1	Cart Leg, Left, Front	G305-0019-01
DE	1	Cart Leg, Left, Rear	G305-0020-01
DF	1	Burner Box Support, Left	G305-0030-02
DG	1	Burner Box Support, Right	G305-0031-02
DH	1	Side Brace	G305-0700-01
DI	1	Heat Shield	G210-0012-01
DJ	1	Front Panel	G305-0U00-01
DK	2	Back Brace	G305-0010-01
DL	3	Tank Exclusion	G434-0056-01
DM	2	Support Bracket	G305-0021-01
DN	2	End Caps, Cart legs	G208-0012-01
DO	2	Wheel	G206-0025-01
DP	1	Wheel Axle	G305-0059-01
DQ	1	Tank Retainer Clip	G306-0020-01
DR	1	Match Holder	G401-0079-01
EA	1	Side Shelf, Right	E201-0009-02
EB	1	Right Side Shelf Bracket, Front	G305-0082-01
EC	1	Right Side Shelf Bracket, Rear	G305-0083-01
ED	1	Side Burner Table, Left	G305-0X00-01
EE	1	Left Side Shelf Bracket, Front	G305-0033-01
EF	1	Left Side Shelf Bracket, Rear	G305-0034-01
EG	1	Side Burner Drip Pan	G307-0024-01
EH	1	Side Burner	G434-5500-02
EI	1	Side Burner Electrode Wire	G305-0084-01
EJ	1	Side Burner Cooking Grate	G307-0022-01
EK	1	Side Burner Valve	G305-0068-01
F1	1	Hardware Pack	G305-B031-01
F2	1	Assembly Manual	G305-M031-01
F3	1	Safe Use and Care Manual	G451-M018-01

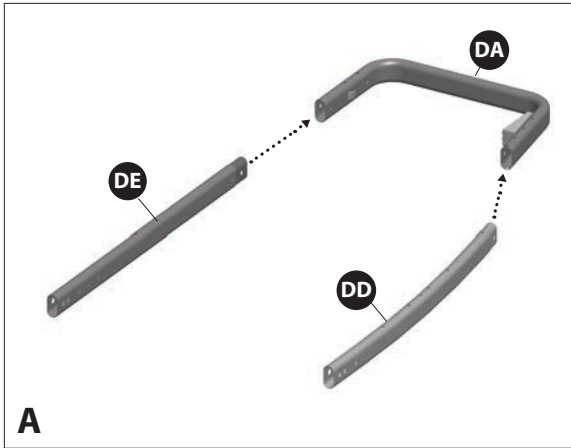
EXPLODED DIAGRAM (PROPANE) FOR 85-3052-6 (G30531)



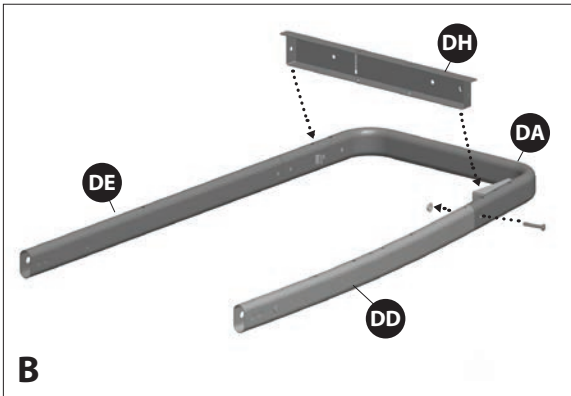
- F1: HARDWARE PACK
- F2: ASSEMBLY MANUAL
- F3: SAFETY AND CARE MANUAL

ASSEMBLY INSTRUCTIONS

1

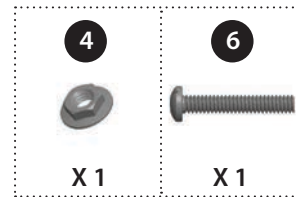


Insert left Cart Legs (DD & DE) into the Upper Leg Support Bar (DA), as shown.

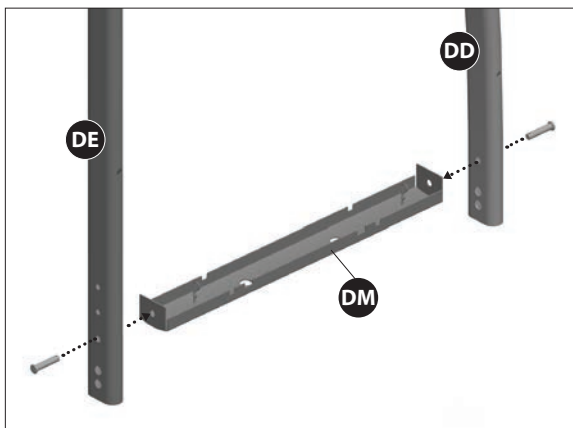


Attach Side Brace (DH) to left front Cart Leg (DD) using hardware, as shown in figure B.

YOU WILL NEED:

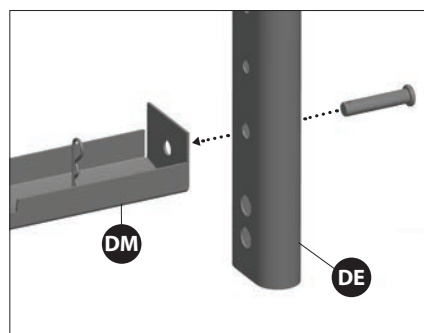
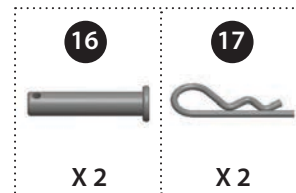


2



Attach the Support Bracket (DM) to the bottom of the left Cart Legs (DD & DE), as shown. Ensure that the hardware is assembled through the third hole from the bottom of the Cart Legs.

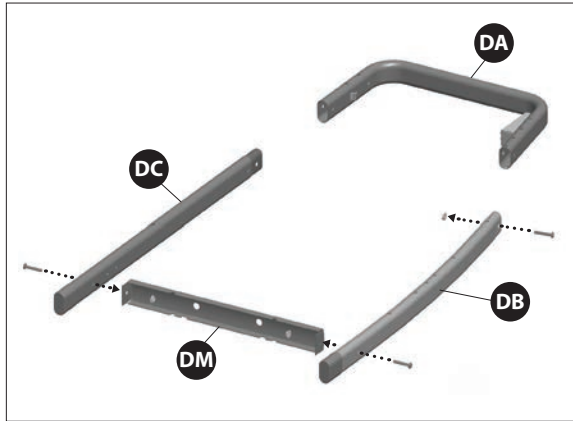
YOU WILL NEED:



Close Up

ASSEMBLY INSTRUCTIONS

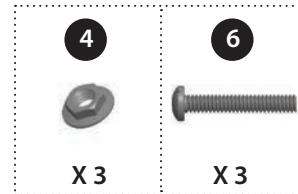
3



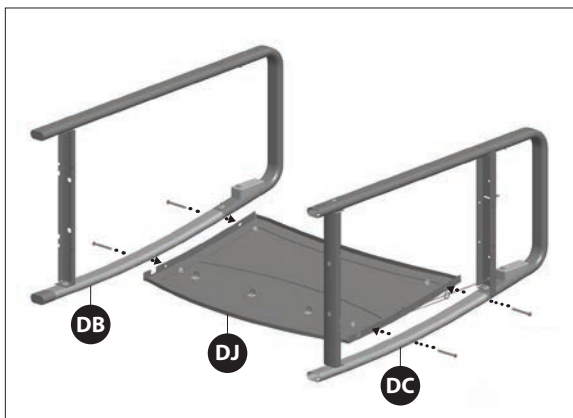
Insert right Cart Legs (DB & DC) into the Upper Leg Support Bar (DA), as shown. Secure the Right, Front Cart Leg (DB) to the Upper Leg Support Bar (DA) using hardware, as shown.

Attach the Support Bracket (DM) to the bottom of the right Cart Legs, as shown.

YOU WILL NEED:

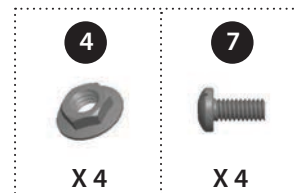


4



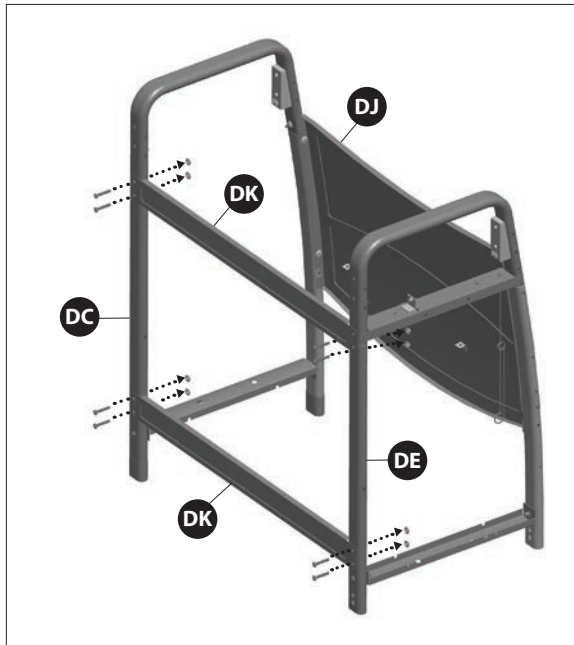
Assemble the Front Panel (DJ) to the left and right front Cart Legs (DB & DC), as shown.

YOU WILL NEED:



ASSEMBLY INSTRUCTIONS

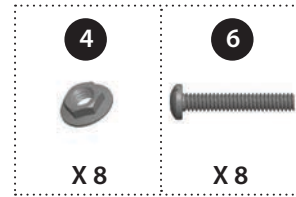
5



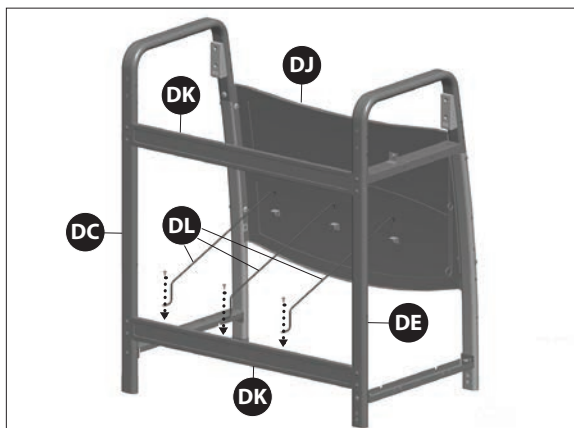
Back view

Assemble the two Back Braces (DK) to the left and right rear Cart Legs (DC & DE), as shown.

YOU WILL NEED:



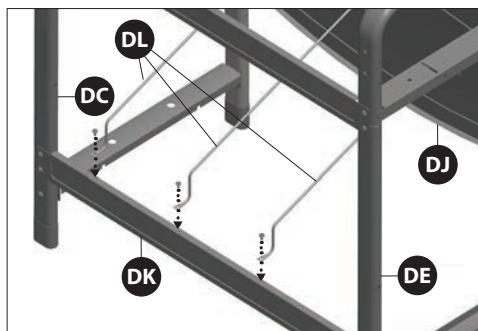
6



Back view

Attach the three Tank Exclusion rails (DL) to the Front Panel (DJ) and the lower Back Brace (DK), as shown. Secure using hardware.

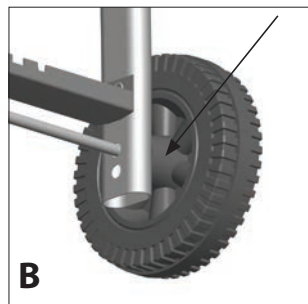
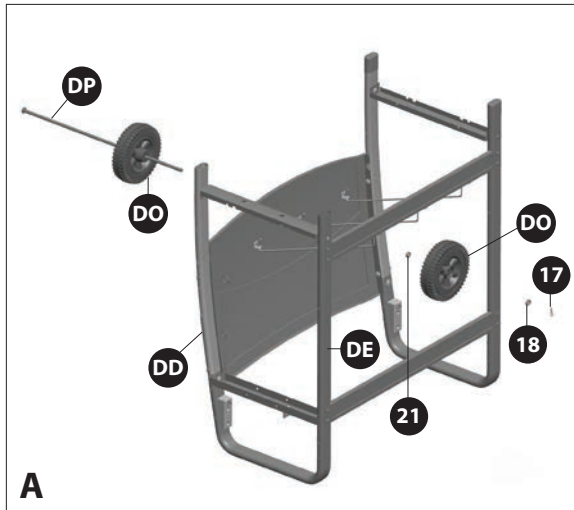
YOU WILL NEED:



Close Up

ASSEMBLY INSTRUCTIONS

7



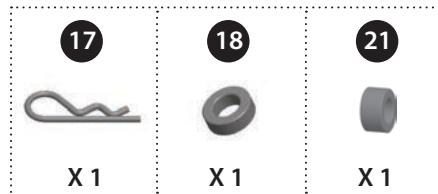
Close Up

NOTE: Turn cart assembly upside down.

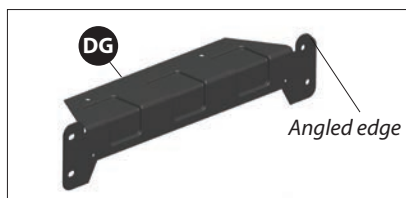
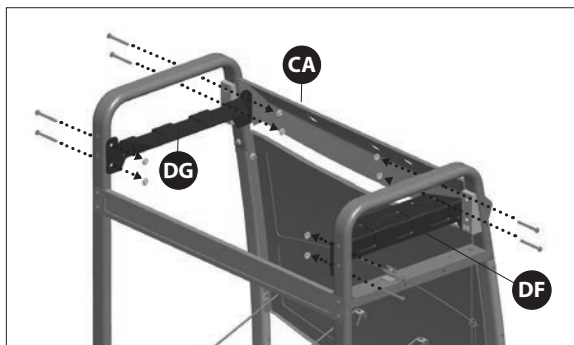
Place Wheel (DO) onto the Wheel Axle (DP). "Cone" side of wheel should be against cart leg, as shown in figure B.

Insert Wheel Axle (DP) through wheel axle hole in the front and rear, of the left Cart Legs (DD & DE), as shown. The wheel axle hole is the second hole from the bottom of the left Cart Legs (DD & DE). To complete wheel assembly, position the Wheel Washer B (#21), Wheel (DO), Wheel Washer A (#18) and Hitch Pin (#17), onto Wheel Axle (DP).

YOU WILL NEED:



8



Close Up

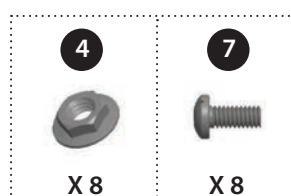
a. Assemble only the rear left Burner Box Support (DF), and the rear right Burner Box Support (DG) first. The angled edge of the Burner Box Supports (DF & DG) should be positioned towards the front of the unit.

b. Assemble the Control Panel (CA) together with the front left and right Burner Box Support (DF & DG).

TIP: One person should align the Burner Box Supports (DF & DG) and the Control Panel (CA), while the second person assembles the hardware.

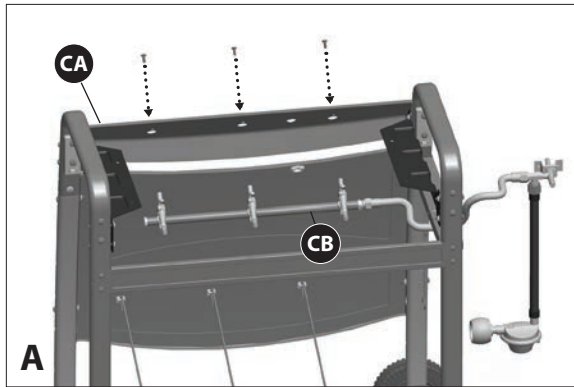
Only tighten all hardware once correct assembly has been verified.

YOU WILL NEED:



ASSEMBLY INSTRUCTIONS

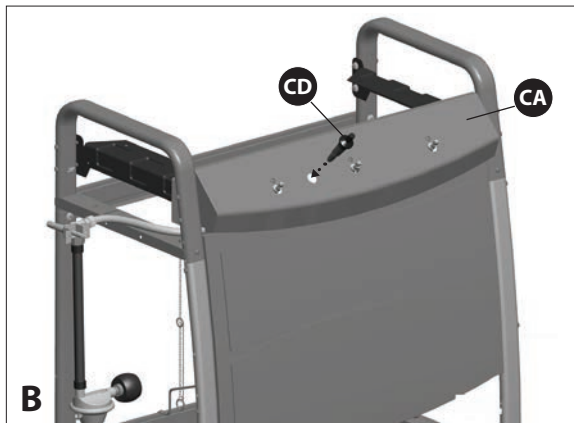
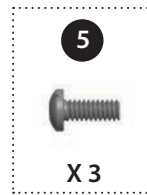
9



Back view

- a. Position the Manifold Assembly (CB) through the back of the Control Panel (CA), and assemble.

YOU WILL NEED:



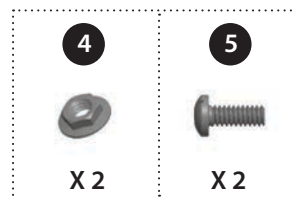
- b. Assemble the Igniter (CD) through the front of the Control Panel (CA), as shown.

10



- a. Assemble the Heat Shield (DI) to the Side Brace (DH), as shown.

YOU WILL NEED:



- b. Insert the Tank Retainer Clip (DQ) into the Side Brace (DH), as shown and secure using a wing nut.

YOU WILL NEED:



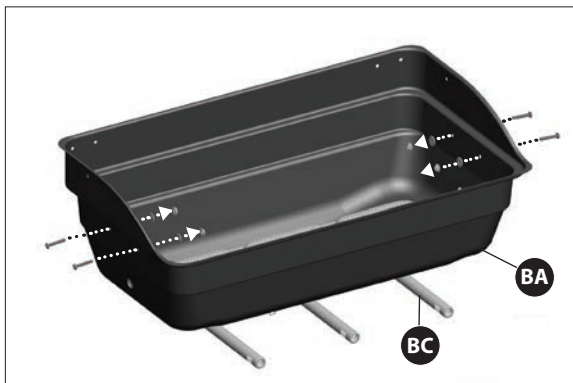
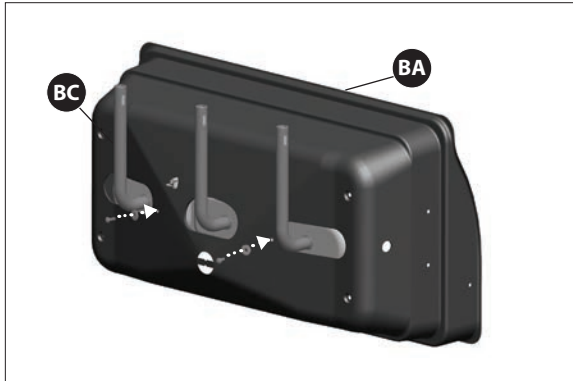
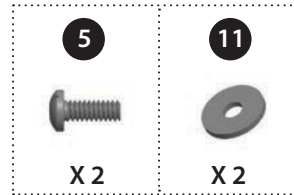
ASSEMBLY INSTRUCTIONS

11



a. Assemble the Burner (BC) into the Burner Box Assembly (BA), with the burner venturi tubes facing forward, as shown.

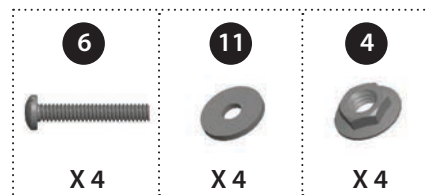
YOU WILL NEED:



b. Assemble hardware into Burner Box Assembly (BA), as shown.

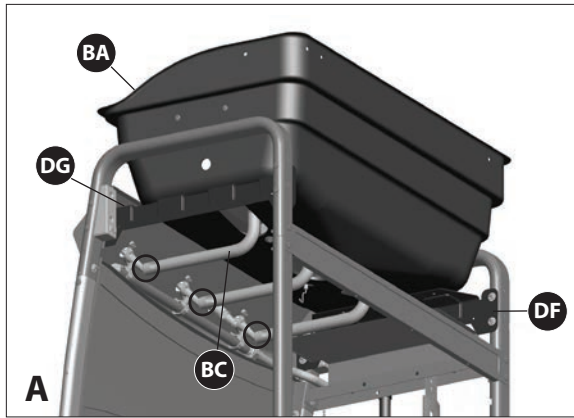
NOTE: This hardware will be used in a later step to support the Flame Tamer (BD).

YOU WILL NEED:



ASSEMBLY INSTRUCTIONS

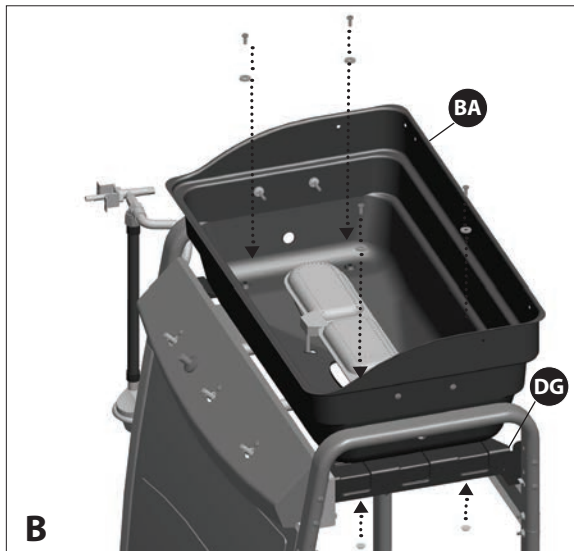
11



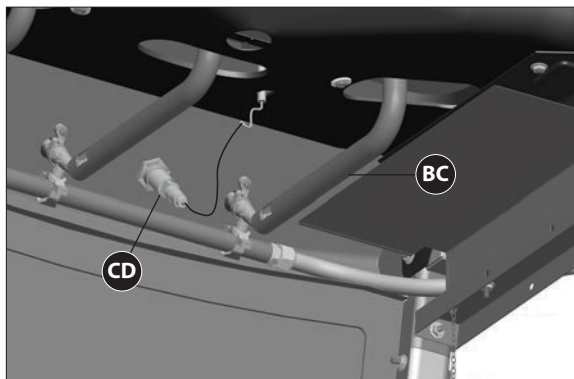
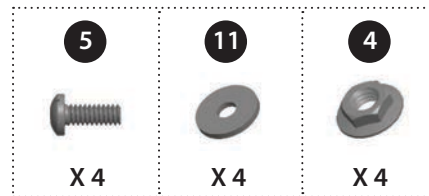
c. Position the Burner Box Assembly (BA) onto the Burner Box Supports (DF & DG), as shown in figure A.

ATTENTION: Before assembling, ensure the Burner (BC) engages the Manifold Assembly valves (CB).

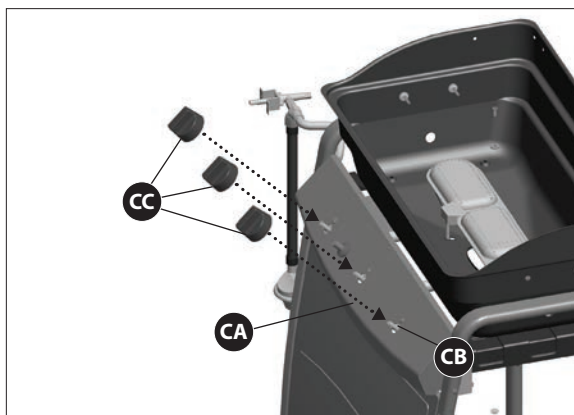
Attach the Burner Box Assembly (BA) to the Burner Box Support (DF & DG), as shown in figure B.



YOU WILL NEED:



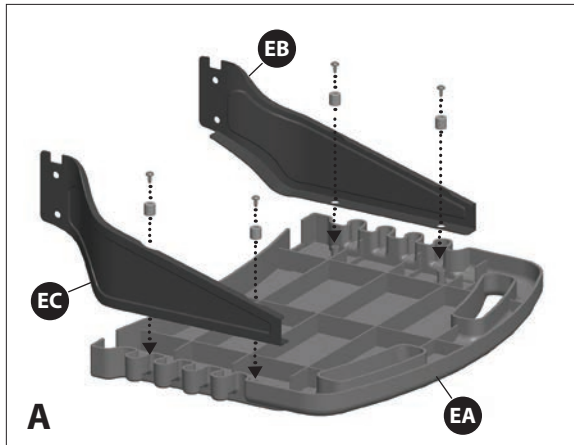
d. Attach the Burner Electrode Wire to the Igniter (CD), as shown.



e. Position the Control Knobs (CC) onto Valve stems (CB).

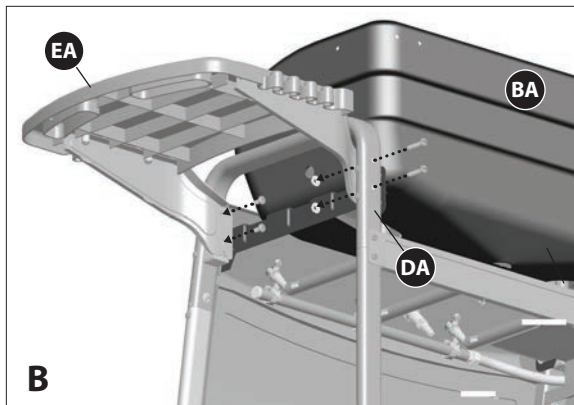
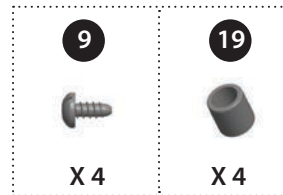
ASSEMBLY INSTRUCTIONS

12



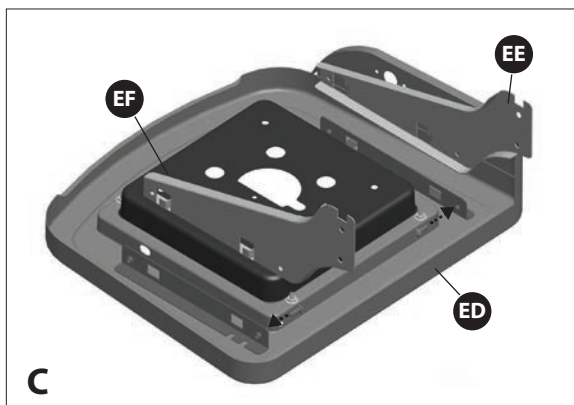
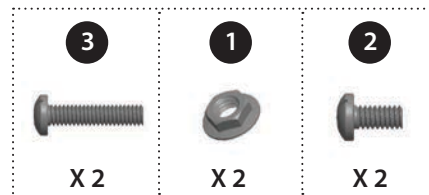
a. Assemble the front and rear right Side Shelf Brackets (EB & EC) to the right Side Shelf (EA), as shown.

YOU WILL NEED:



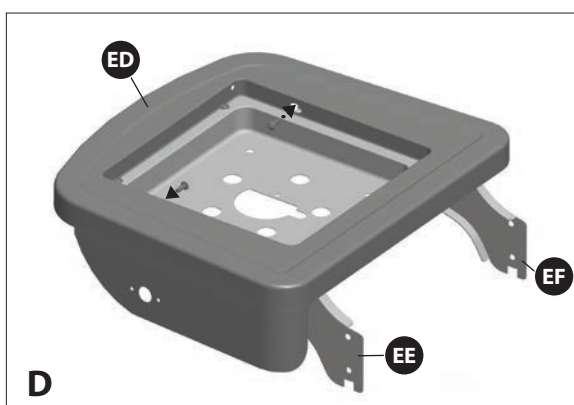
b. Assemble the right Side Shelf (EA) to the Upper Leg Support Bar (DA), as shown.

YOU WILL NEED:



c. Assemble the front and rear left Side Shelf Brackets (EE & EF) to the left Side Burner Table (ED) using two screws, as shown in figure C.

YOU WILL NEED:



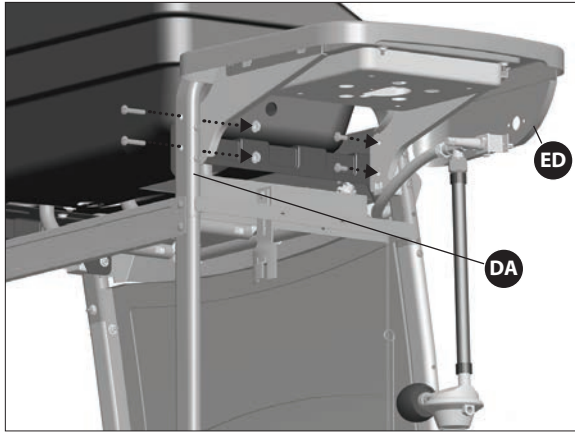
d. Turn the left Side Burner Table (ED) over and use two screws to finish assembly of the front and rear, left Side Shelf Brackets (EE & EF), as shown in figure D.

YOU WILL NEED:



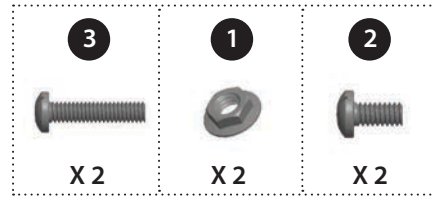
ASSEMBLY INSTRUCTIONS

12

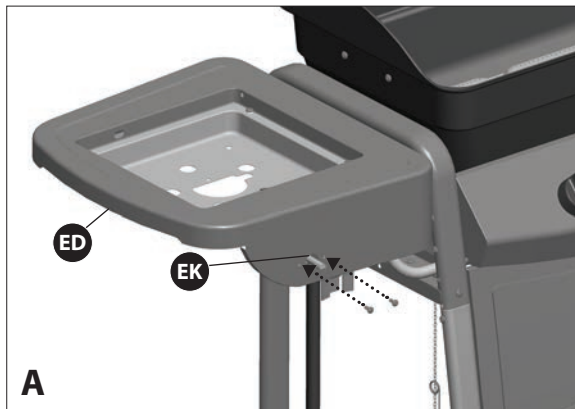


e. Assemble the left Side Burner Table (ED) to the Upper Leg Support Bar (DA), as shown.

YOU WILL NEED:

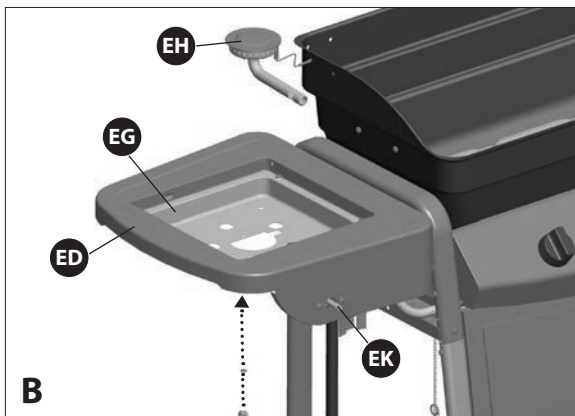
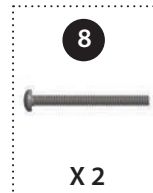


13



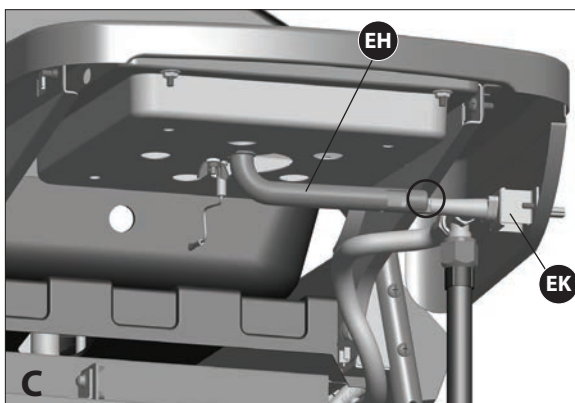
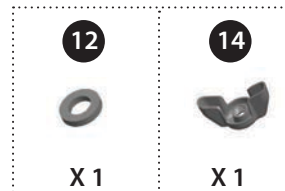
a. Assemble the Side Burner Valve Assembly (EK) to the Side Burner Table (ED).

YOU WILL NEED:



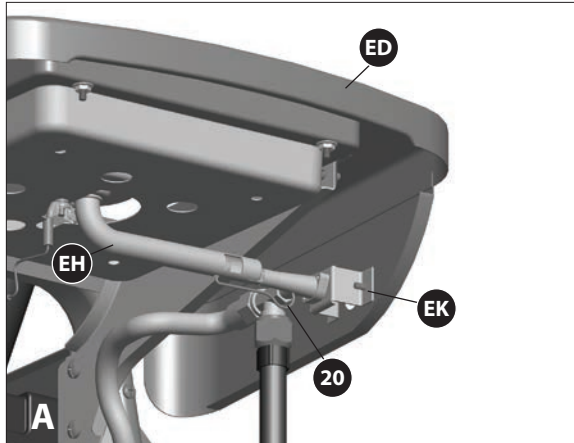
b. Position the Side Burner (EH) through the opening in the Side Burner Drip Pan (EG). Make sure the Side Burner (EH) engages the Side Burner Valve (EK), and assemble, as shown in figure C.

YOU WILL NEED:



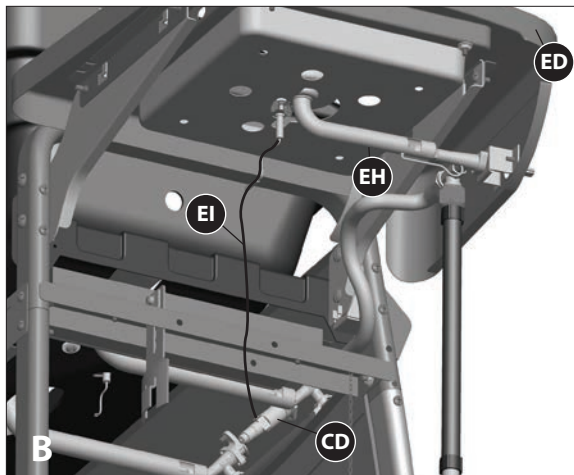
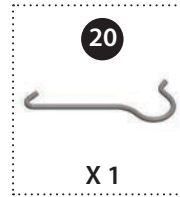
ASSEMBLY INSTRUCTIONS

13

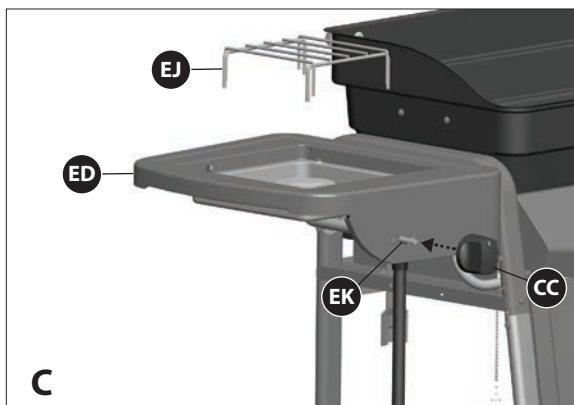
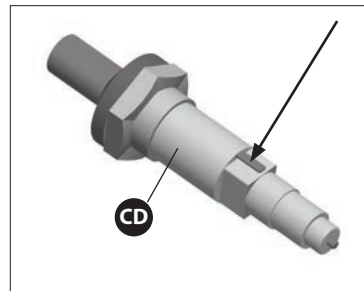


c. Connect the Side Burner (EH) to the Side Burner Valve (EK), using the venturi clip #20, as shown.

YOU WILL NEED:



d. Attach the end of the Side Burner Electrode Wire (EI) to the Igniter (CD), as shown in figure B. Ensure that the wire is pushed in firmly.

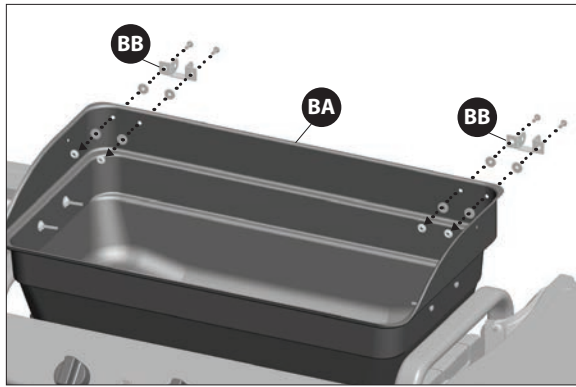


e. Place the Side Burner Cooking Grate (EJ) into position on the Side Burner Shelf (ED).

f. Position the Side Burner Control Knob (CC) over the Side Burner Valve Stem (EK).

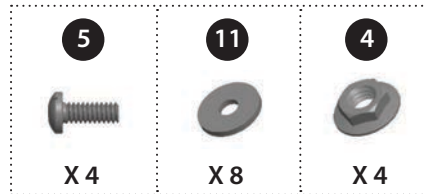
ASSEMBLY INSTRUCTIONS

14

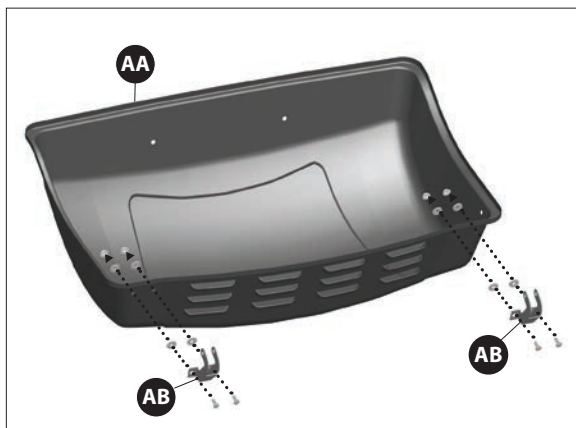


Assemble the Lower Hinge (BB) on the back of the Burner Box Assembly (BA), as shown.

YOU WILL NEED:

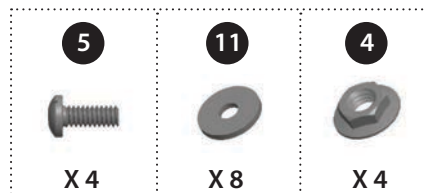


15



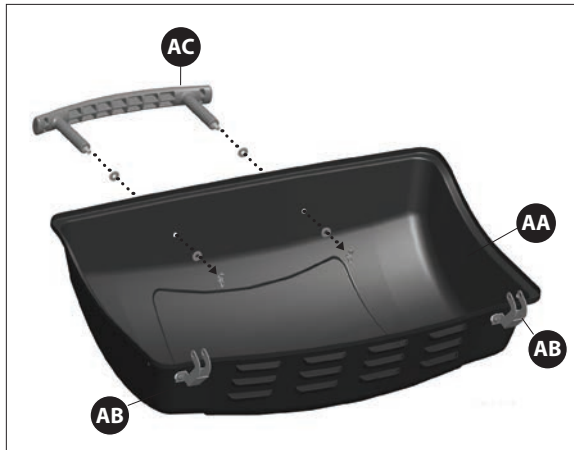
Assemble the Upper Hinge (AB) to the Top Lid Assembly (AA).

YOU WILL NEED:



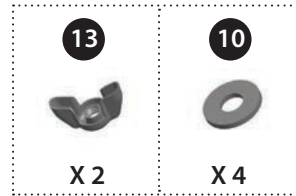
ASSEMBLY INSTRUCTIONS

16

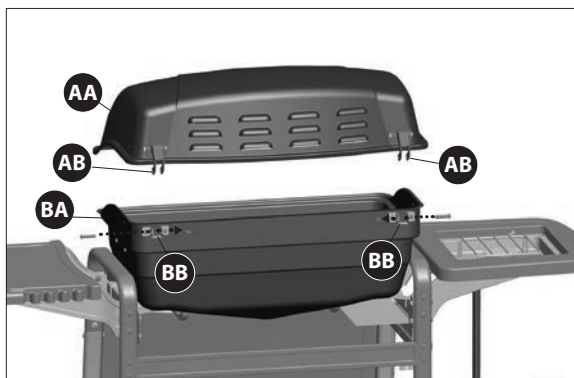


a. Assemble the Lid Handle (AC) to the Top Lid Assembly (AA).

YOU WILL NEED:

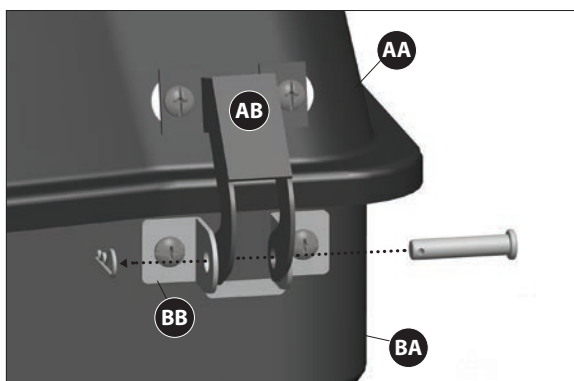
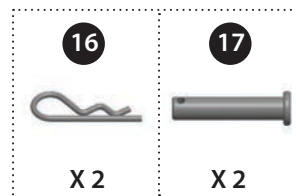


17



To assemble the Top Lid Assembly (AA) to the Burner Box Assembly (BA), position the Upper Hinge (AB) in between the Lower Hinge (BB), position hardware and lock into place using the Hitch Pins (#17).

YOU WILL NEED:



ASSEMBLY INSTRUCTIONS

18

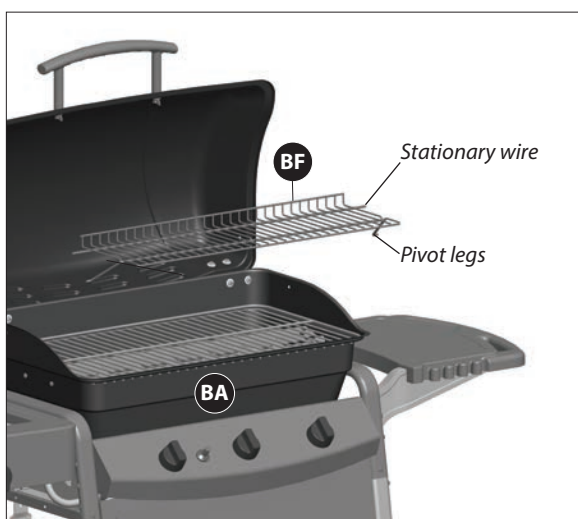


Position the Flame Tamer (BD) into the Burner Box Assembly (BA).

Note: *The Flame Tamer (BD) should be placed onto the hardware assembled in step 11b.*

Position the Cooking Grate (BE) into the Burner Box Assembly (BA).

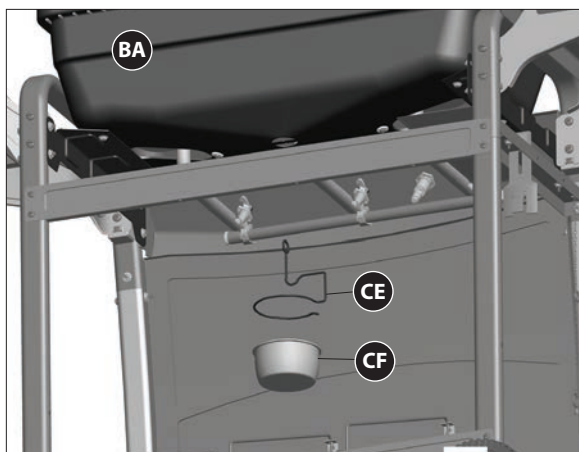
19



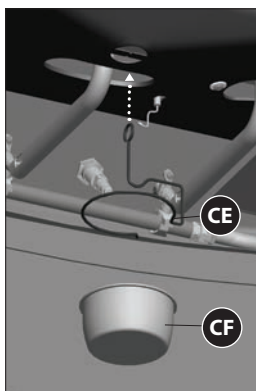
To assemble the Warming Rack (BF), insert the stationary wire into the holes on the sides of the lid. Insert Warming Rack (BF) pivot legs into the holes inside of the Burner Box Assembly (BA), as shown.

ASSEMBLY INSTRUCTIONS

20

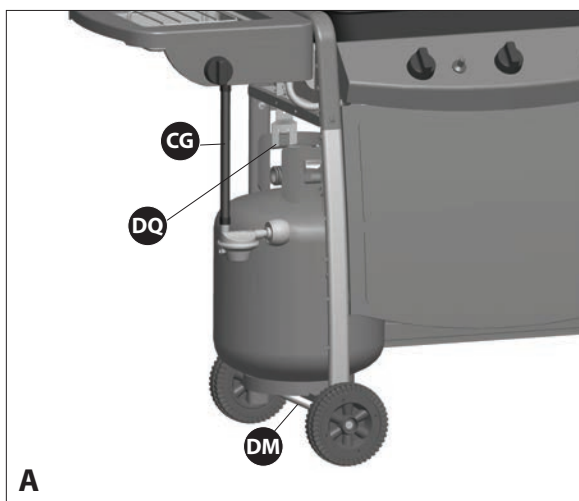


Hook the Grease Cup Hook (CE) to the bottom of the Burner Box Assembly (BA), as shown. Place the Grease Cup (CF) into the Grease Cup Hook (CE).

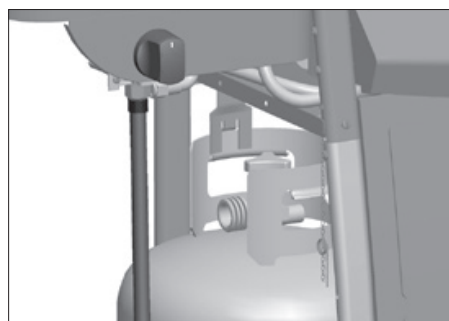


Close Up

21



a. Loosen the wing nut from the Tank Retainer Clip (DQ). Set bottom of the tank into notches located on the left Support Bracket (DM). Position Tank Retainer Clip (DQ) onto tank collar and tighten wing nut.



Close up

ASSEMBLY INSTRUCTIONS

21



Close Up

b. Attach the Regulator coupling nut (CG) to the LP cylinder valve.

▲ ATTENTION

LP Cylinder is sold separately. Use only LP tanks that are equipped with an OPD (Overfill protection device). Fill and Leak check before attaching to the BBQ hose and regulator. See Safe Use and Care Manual, leak test procedure for more information.

▲ WARNING

Always keep LP cylinder in upright position during use, transport and storage.



Visit www.masterchefbbqs.com
to complete product registration
Master Chef® Customer Service
1-877-707-5463

Trileaf Distributions Trifeuil
Toronto, Ontario
M4S 2B8