

MASTER
Chef^{TM/MC}



**SELECT 5-BURNER
PROPANE BARBECUE**
Assembly Manual

**85-3129-6 (G55107) Propane
1 YEAR LIMITED WARRANTY**

READ AND SAVE MANUAL FOR FUTURE REFERENCE.

Assemble your grill immediately.
Missing or damaged parts claims must be submitted within 30 days of purchase date.

**For product inquiries, parts, warranty and troubleshooting support,
please call 1-855-453-2150.**

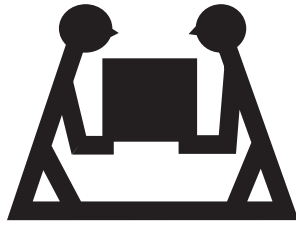


ANSI Z21.58-2015 / CSA 1.6-2015
Outdoor Cooking Gas Appliances.



ANSI Z21.58-2015 / CSA 1.6-2015
Outdoor Cooking Gas Appliances.

Manual Revision #: 02212019 JC



HEAVY ARTICLE NEEDS 2 TO LIFT

THIS MANUAL MUST REMAIN WITH THE PRODUCT AT ALL TIMES

To ORDER non-warranty replacement parts or accessories, or to register your warranty, please visit us on the web at

www.masterchefbbqs.com

⚠ CAUTION

Sharp edges. Wear gloves when assembling your grill.

⚠ CAUTION

Read and follow all safety statements, assembly instructions, use and care directions before attempting to assemble and cook.

⚠ INSTALLER OR ASSEMBLER/CONSUMER

This manual should be kept with the BBQ at all times.

⚠ WARNING

Failure to follow all of the Manufacturer's instructions could result in hazardous fires, explosions, property damage, or serious personal injury or even death.

Follow all leak check procedures carefully prior to operation of barbecue, even if grill was dealer assembled. Do not try to light this barbecue without reading the Lighting Instructions section of this manual.

⚠ DANGER

1. If you smell Gas:
 - a. Shut off gas to the appliance.
 - b. Extinguish any open flame.
 - c. Open lid.
 - d. If odor continues, keep away from the appliance and immediately call your gas supplier or your fire department.
 2. Requires two people to complete the assembly process.
 3. Beware of sharp edges.
-

⚠ WARNING

1. Do not store or use gasoline or other flammable liquids or vapours in the vicinity of this or any other appliance.
 2. An LP cylinder not connected for use shall not be stored in the vicinity of this or any other appliance.
-

⚠ WARNING

IN DIRECT SUN, AND IN OPERATION, YOUR BBQ'S STAINLESS STEEL AND PAINTED STEEL PARTS CAN BECOME VERY HOT.

THIS BARBECUE IS FOR OUTDOOR USE ONLY.

CONTACT CALL CENTRE IF ANY PARTS ARE MISSING.

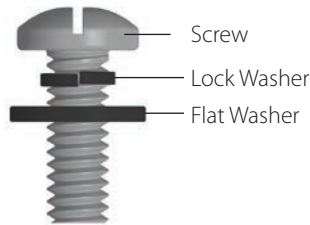
1-855-453-2150

HARDWARE PACK

TOOLS NEEDED FOR ASSEMBLY














- #2 Star-head screwdriver (long and short)
- ¼" Slotted screwdriver (long and short)
- Adjustable wrench
- Pliers

For correct hardware assembly, always position the lock washer between the screw and the flat washer.



KEY #	DESCRIPTION	PART NUMBER	QUANTITY
1	1/4"-20UNC X13 Screw	20120-13013-036	20
2	1/4"-20UNC Nut	31220-13000-036	8
3	ST4.2X8 Tapping Screw	24200-42008-136	14
4	Aluminum Washer	G466-0042-9000	8
5	Wheel Spacer	G650-0012-9091	2
6	Wheel Washer	G650-0013-9091	1
7	Hitch Pin	G306-0005-9088	1
8	Control Knob	G312-B102-01	1
9	NO.10-24UNC X18 Screw	20124-10018-036	1
10	NO.10-24UNC Nut	31224-10000-036	1
11	Venturi Clip, Side Burner	G405-0019-9200	1
12	M4 Wing Nut	33301-04000-032	1
13	NO.8-32UNC X10 Screw	20132-08010-250	2

⚠ Caution:
Sheet metal can cause injury. Wear gloves when installing the grill.

<p>1</p>  <p>1/4"-20UNC X13 Screw X 20</p>	<p>2</p>  <p>1/4"-20UNC Nut X 8</p>	<p>3</p>  <p>ST4.2X8 Tapping Screw X 14</p>
<p>4</p>  <p>Aluminum Washer X 8</p>	<p>5</p>  <p>Wheel Spacer X 2</p>	<p>6</p>  <p>Wheel Washer X 1</p>
<p>7</p>  <p>Hitch Pin X 1</p>	<p>8</p>  <p>Control Knob X 1</p>	<p>9</p>  <p>NO.10-24UNC X18 Screw X 3</p>
<p>10</p>  <p>NO.10-24UNC Nut X 3</p>	<p>11</p>  <p>Venturi Clip, Side Burner X 1</p>	<p>12</p>  <p>M4 Wing Nut X 1</p>
<p>13</p>  <p>NO.8-32UNC X10 Screw X 2</p>		

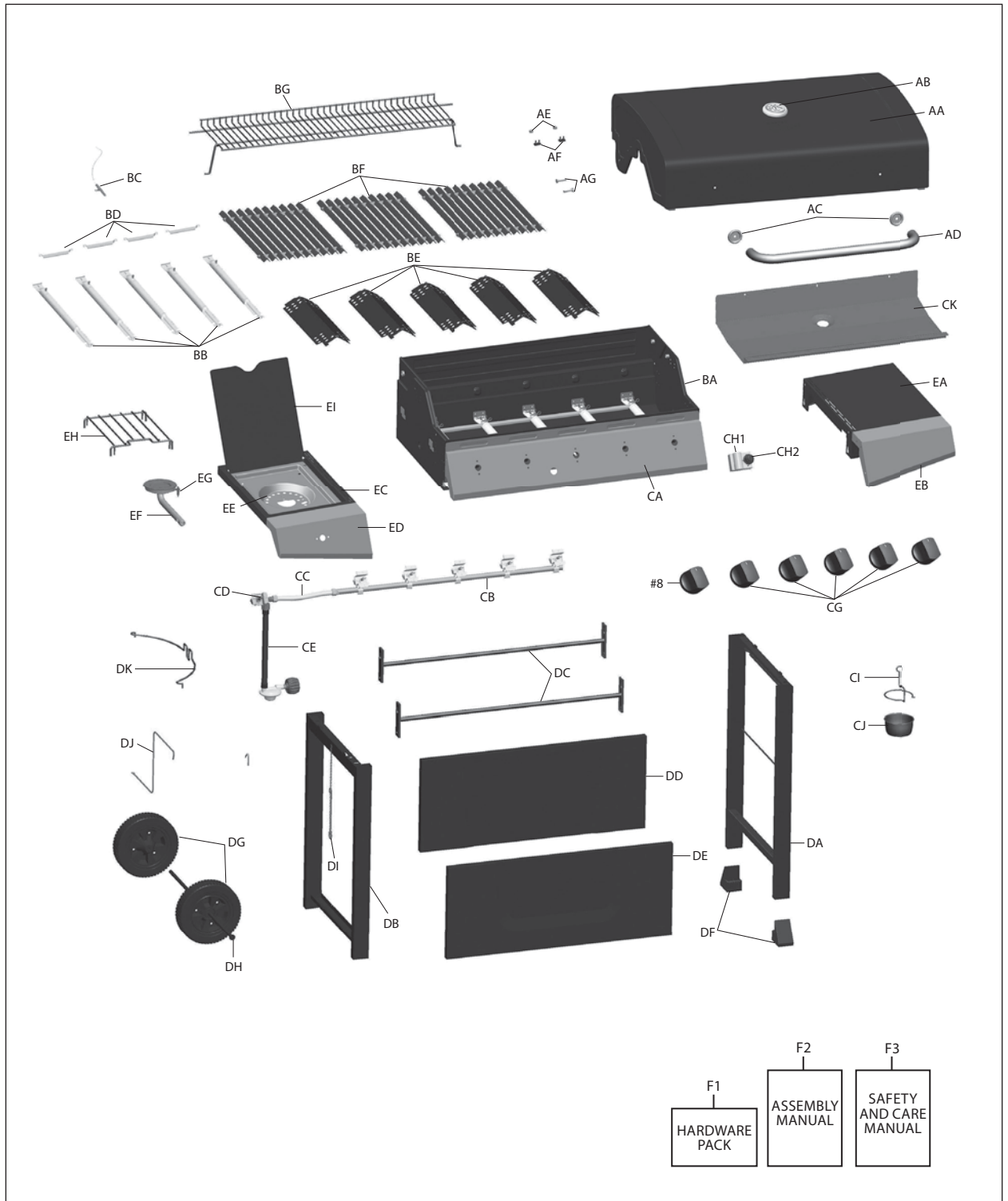
BEFORE ASSEMBLING THIS BARBECUE, READ THE INSTRUCTIONS CAREFULLY.

Assemble the barbecue on a flat, clean surface. Grill is heavy. Two people are recommended to complete assembly.

PARTS LIST (PROPANE) FOR 85-3129-6 (G55107)

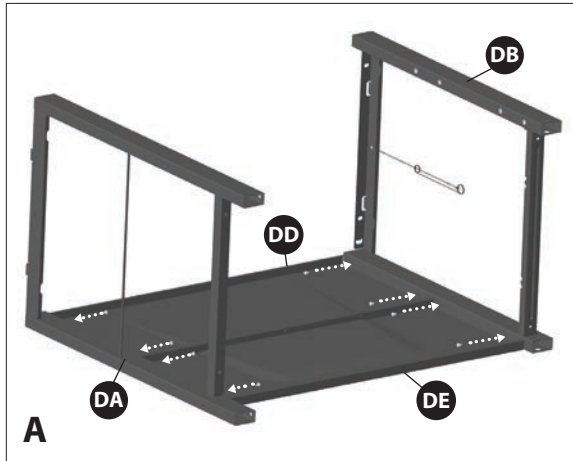
KEY #	QUANTITY	DESCRIPTION	PART NO.
AA	1	Top Lid Assembly	G551-6700-01
AB	1	Thermometer and Bezel	G312-B201-01
AC	2	Lid Handle Brackets	G352-0015-01
AD	1	Top Lid Handle	G551-0001-01
AE	2	Lid Bumpers, Back	G303-0038-01
AF	2	Lid Bumpers, Front	G430-00B8-01
AG	2	Screws for Lid	G430-0024-02
BA	1	Burner Box Assembly	G551-0300-01
BB	5	Burner	G432-B600-01
BC	1	Electrode Set, Main Burner	G501-0010-01
BD	4	Burner Brace Assembly	G551-0006-01
BE	5	Flame Tamer	G432-0096-01
BF	3	Cooking Grate	G551-1300-01
BG	1	Warming Rack	G551-0014-01
CA	1	Control Panel	G551-0015-01
CB	1	Manifold Assembly	G551-5200-01
CC	1	Metal Hose, Side Burner	G430-2403-01
CD	1	Side Burner Valve, LP	G551-5201-01
CE	1	Regulator	G311-0503-01
CG/#8	6	Control Knob	G312-B102-01
CH1	1	Electronic Ignition Assembly	G409-0021-A1
CH2	1	Electronic Ignition Button	G409-0030-01
CI	1	Grease Cup Hook	G305-0043-01
CJ	1	Grease Cup	G430-0033-02
CK	1	Heat Shield	G551-0003-01
DA	1	Cart Side Panel, Right	G551-0900-02
DB	1	Cart Side Panel, Left	G551-0800-02
DC	2	Back Brace	G551-1000-01
DD	1	Upper Front Panel	G551-0008-01
DE	1	Lower Front Panel	G551-0009-01
DF	2	End Caps	G430-0023-01
DG	2	Wheel	G401-0058-01
DH	1	Wheel Axle	G651-0027-01
DI	1	Match Holder	G401-0079-01
DJ	1	Tank Exclusion	G470-3M02-01
DK	1	Gas Tank Support	G551-0010-01
EA	1	Side Shelf Table, Right	G451-0B00-01
EB	1	Side Shelf Fascia, Right	G551-7101-01
EC	1	Side Shelf Table, Left	G551-0600-01
ED	1	Side Shelf Fascia, Left	G551-7201-01
EE	1	Side Burner Drip Pan	G651-0038-01
EF	1	Side Burner	G551-5500-01
EG	1	Electrode Set, Side Burner	G430-0042-02
EH	1	Side Burner Grate	G430-0053-01
EI	1	Side Burner Lid	G430-0018-A1
F1	1	Hardware Pack	G551-B007-01
F2	1	Assembly Instructions	G551-M007-01
F3	1	Safe Use and Care Manual	G551-M007-02

EXPLODED DIAGRAM (PROPANE) FOR 85-3129-6 (G55107)



ASSEMBLY INSTRUCTIONS

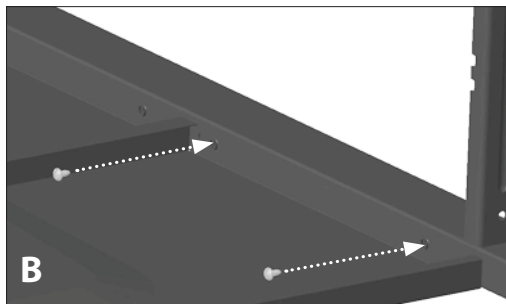
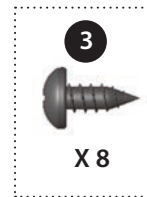
1



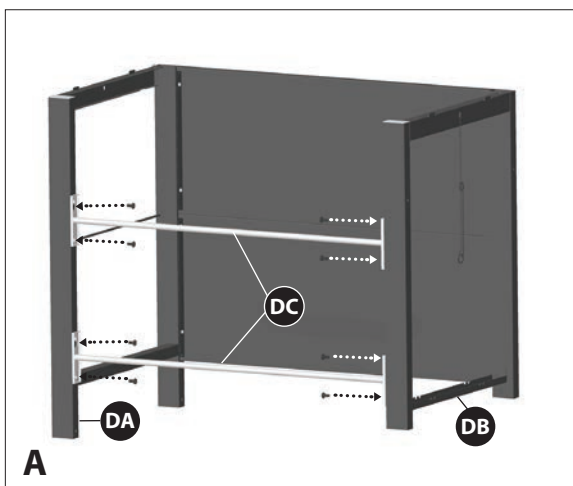
Note: Two people required for all assembly steps.

Assemble the Upper Front Panel (DD) and Lower Front Panel (DE) to the the Left and Right Cart Side Panels (DB and DA) as shown.

YOU WILL NEED:

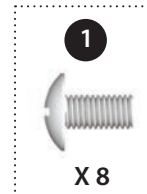


2

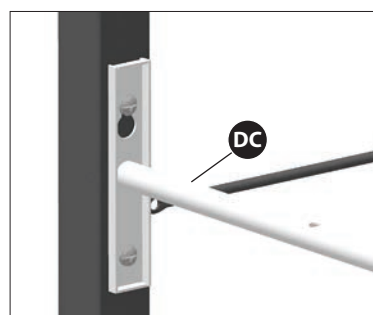


Assemble the two Back Braces (DC) to the Left and Right Cart Side Panels (DB and DA) as shown.

YOU WILL NEED:



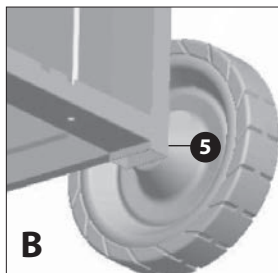
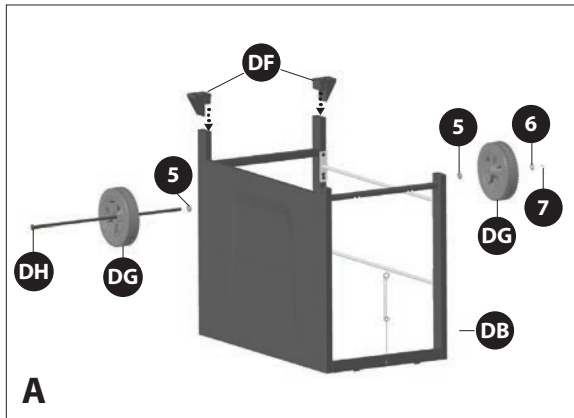
Back View



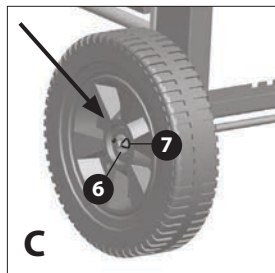
Close Up

ASSEMBLY INSTRUCTIONS

3



Close up

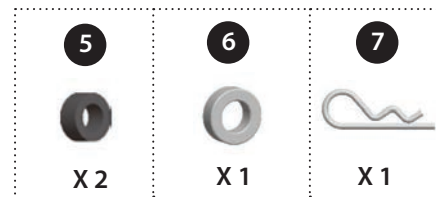


Close up

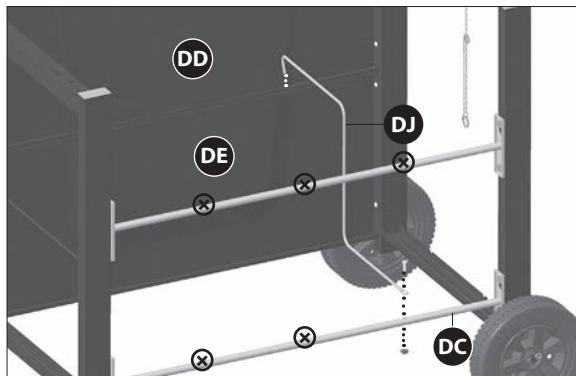
Note: Turn Cart assembly upside down.

- Place Wheel (DG) and Wheel Spacer (#5) onto the Wheel Axle (DH). "Cone" side of wheel should be against cart side panel. Figure B.
- Insert Wheel Axle Assembly (DH) through wheel axle hole in the front and rear of the Left Cart Side Panel (DB), as shown.
- To complete wheel assembly position the Wheel Spacer (#5), Wheel (DG), Wheel Washer (#6) and Hitch Pin (#7), onto Wheel Axle (DH) as shown.
- Insert End Caps (DF) into Right Cart Side Panel (DA).

YOU WILL NEED:



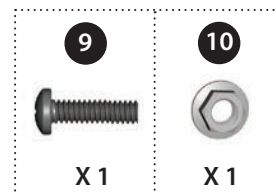
4



Back View

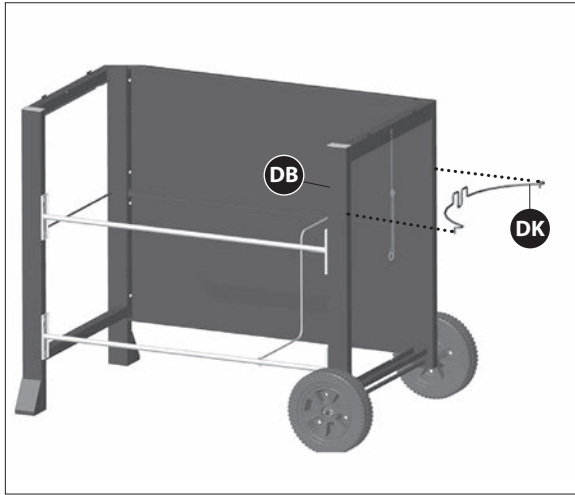
Assemble the Tank Exclusion Wire (DJ) to the Lower Back Brace (DC) and the Front Panel (DD and DE) as shown.

YOU WILL NEED:

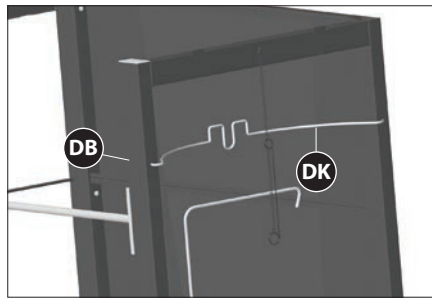


ASSEMBLY INSTRUCTIONS

5



Back View

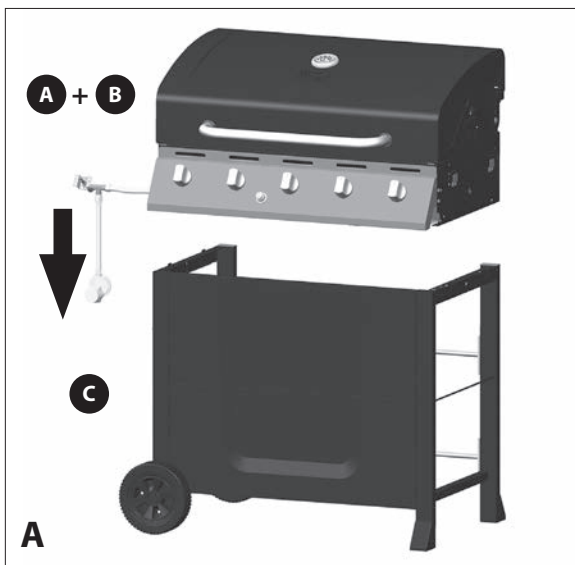


Close up

PROPANE MODEL ONLY.

Assemble the Gas Tank Support (DK) to Left Cart Side Panel (DB).

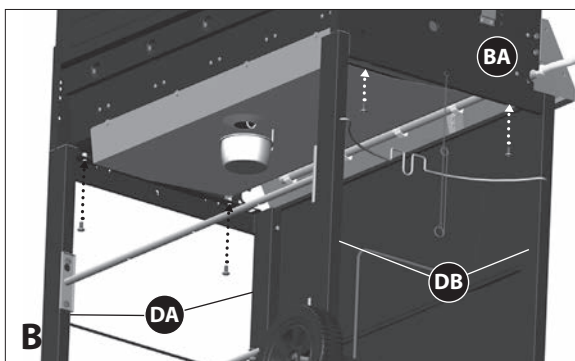
6



A

Note: TWO PEOPLE required for this step. Ensure that the regulator hose (CE) (Propane models only) is hanging outside of cart.

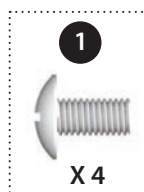
a. Position the Lid and Burner Box Assembly (A & B), onto the cart assembly (C).



B

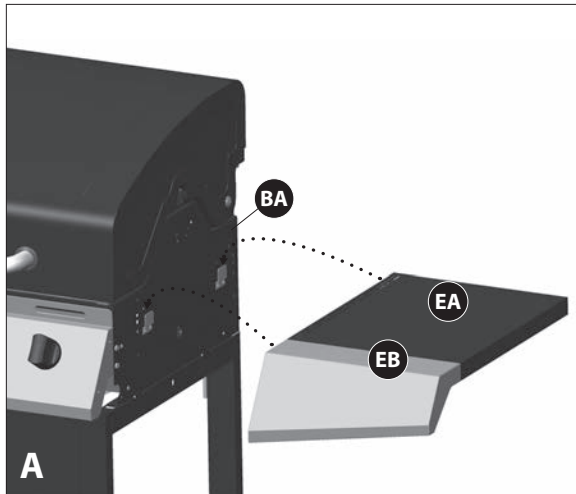
b. Assemble the Burner Box Assembly (BA) to the cart assembly (C) as shown in figure B.

YOU WILL NEED:

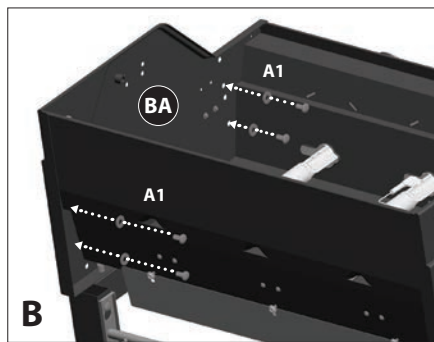


ASSEMBLY INSTRUCTIONS

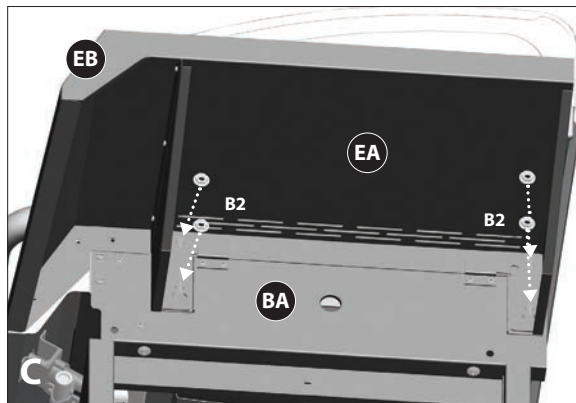
7



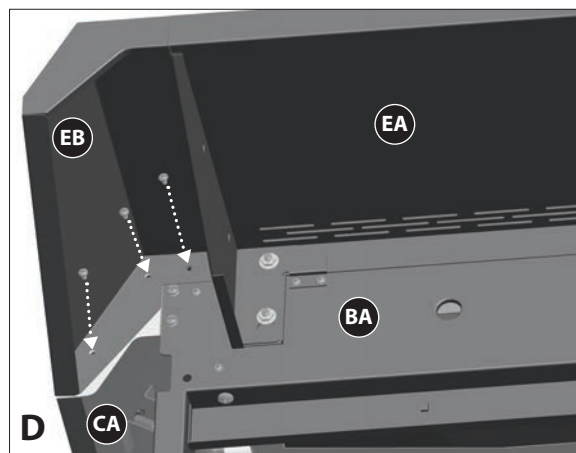
Front, right side view



Back View



View, under right side shelf



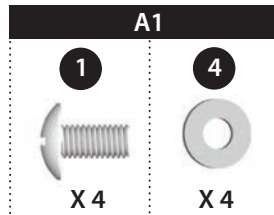
View, under right side shelf

RIGHT SIDE SHELF ASSEMBLY

a. Insert the Right Side Shelf Assembly (EA and EB) into the support brackets located on the right side of the Burner Box Assembly (BA).

b. Affix the Right Side Shelf Table (EA) to the Burner Box Assembly (BA) as shown in figures B and C.

YOU WILL NEED:



YOU WILL NEED:



c. Affix the Right Side Shelf Fascia (EB) to the Control Panel (CA).

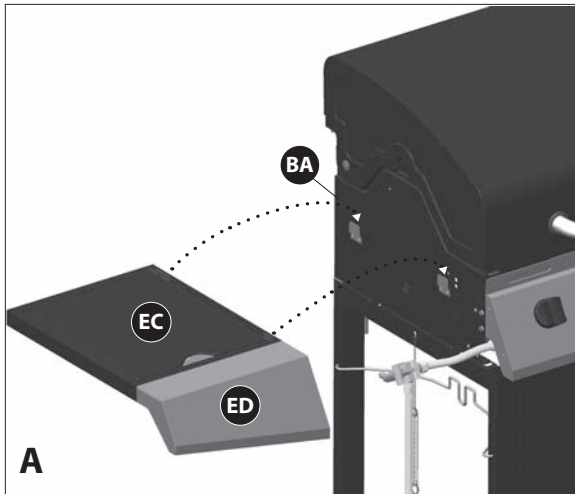
Securely tighten all hardware.

YOU WILL NEED:

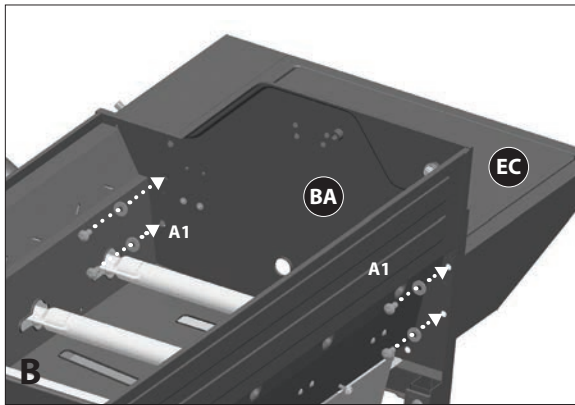


ASSEMBLY INSTRUCTIONS

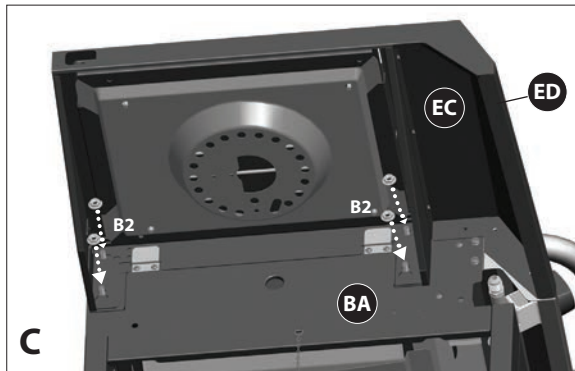
8



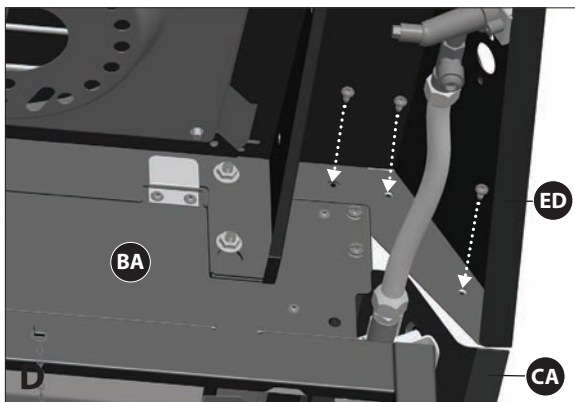
Front, left side view



Back view



View, under left side shelf



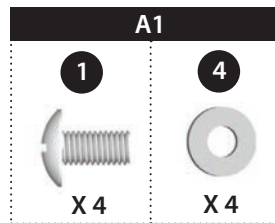
View, under left side shelf

LEFT SIDE SHELF ASSEMBLY

a. Insert the Left Side Shelf Assembly (EC and ED) into the support brackets located on the right side of the Burner Box Assembly (BA).

b. Affix the Left Side Shelf Table (EC) to the Burner Box Assembly (BA) as shown in figures B and C.

YOU WILL NEED:



YOU WILL NEED:



c. Affix the Left Side Shelf Fascia (ED) to the Control Panel (CA).

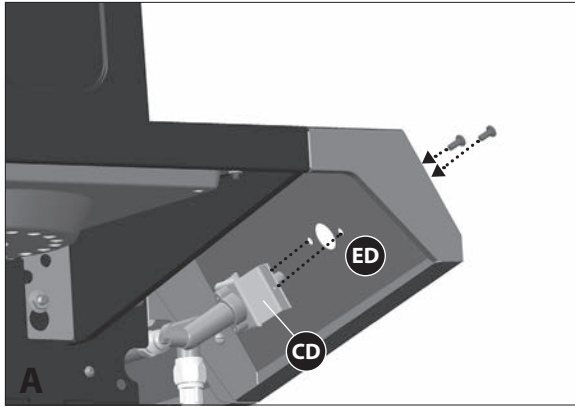
Securely tighten all hardware.

YOU WILL NEED:

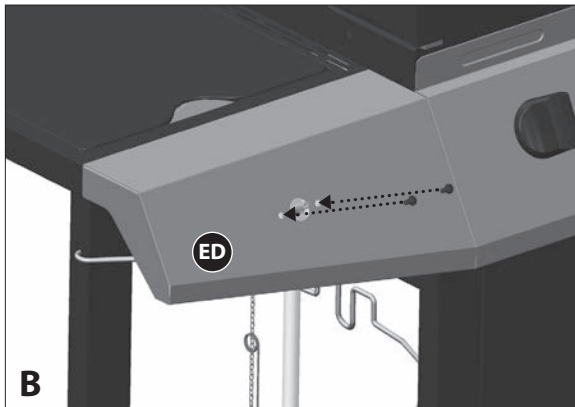


ASSEMBLY INSTRUCTIONS

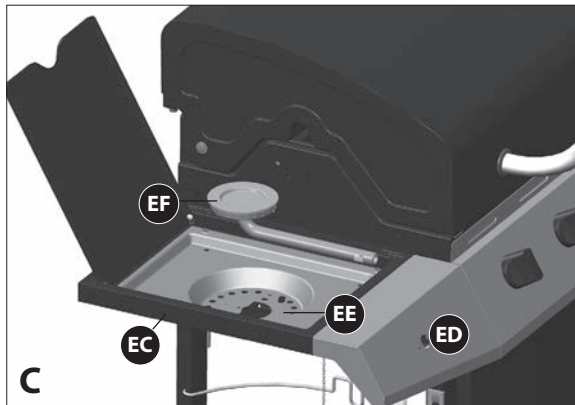
9



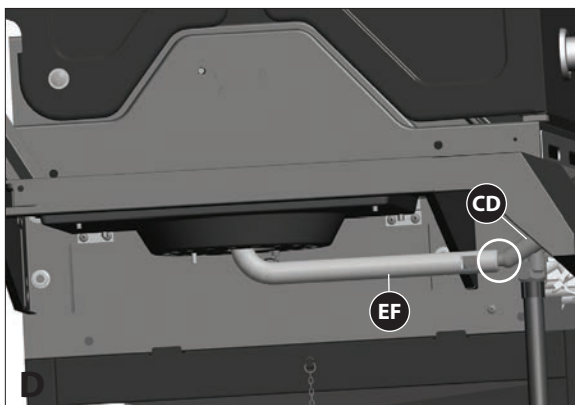
Left side view



Front view



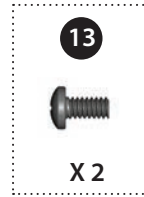
View, under left side shelf



View, under left side shelf

- a. Assemble the Side Burner Valve (CD) to the left side shelf fascia (ED) as shown in figures A and B.

YOU WILL NEED:

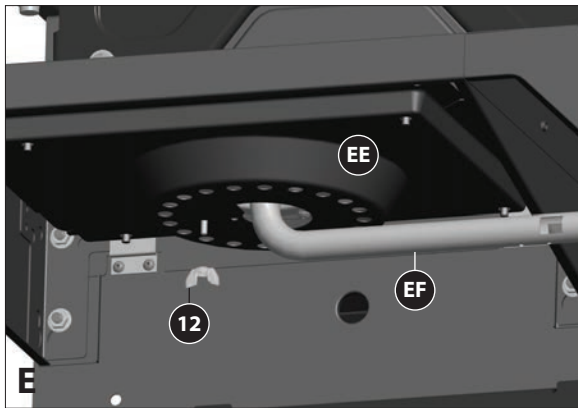


- b. Position the Side Burner (EF) through the opening in the Left Side Burner Drip Pan (EE).

- c. Make sure that the Side Burner (EF) engages the Side Burner Valve (CD) as shown in figure D.

ASSEMBLY INSTRUCTIONS

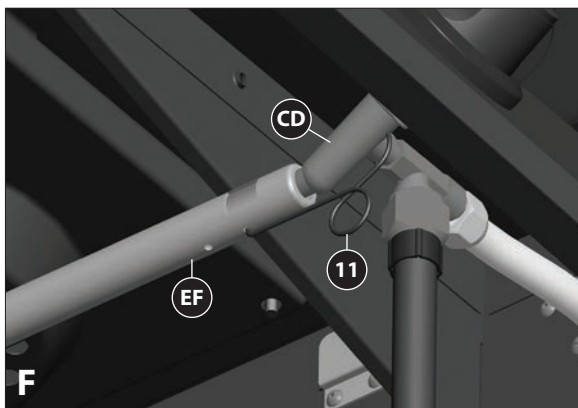
9



View, under left side shelf

d. Assemble the Side Burner (EF) to the Side Burner Drip Pan (EE) as shown in figure E.

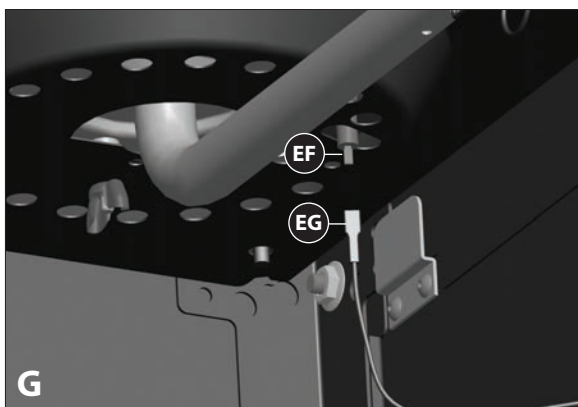
YOU WILL NEED:



View, under left side shelf

e. Use the Side Burner Venturi Clip (#11) to connect the Side Burner (EF) to the Side Burner Valve (CD) as shown in figure F.

YOU WILL NEED:

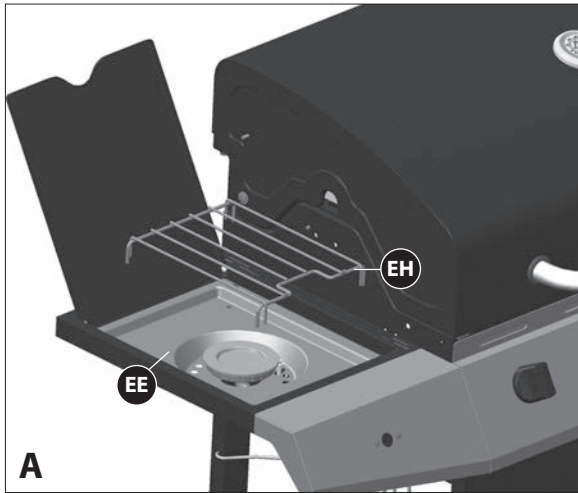


View, under left side shelf

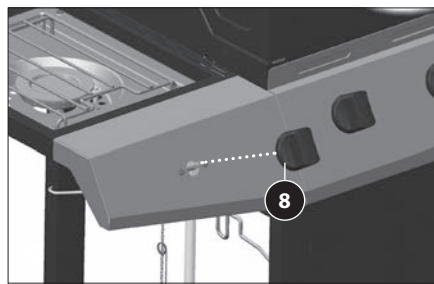
f. Assemble the Side Burner Electrode Wire (EG) to the underside of the Side Burner Electrode (EF) as shown in figure G.

ASSEMBLY INSTRUCTIONS

10



- a. Position the Side Burner Cooking Grate (EH) onto the Side Burner Drip Pan (EE).

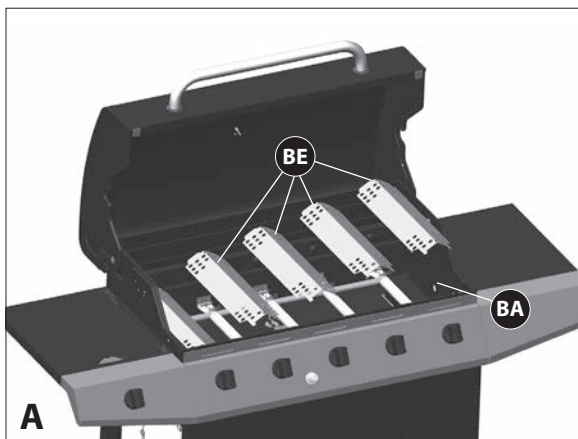


- b. Assemble the Side Burner Control Knob (#8) to the Side Burner Valve (CD).

YOU WILL NEED:



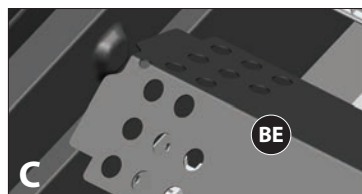
11



Place the Flame Tamer (BE) into the Burner Box Assembly (BA).



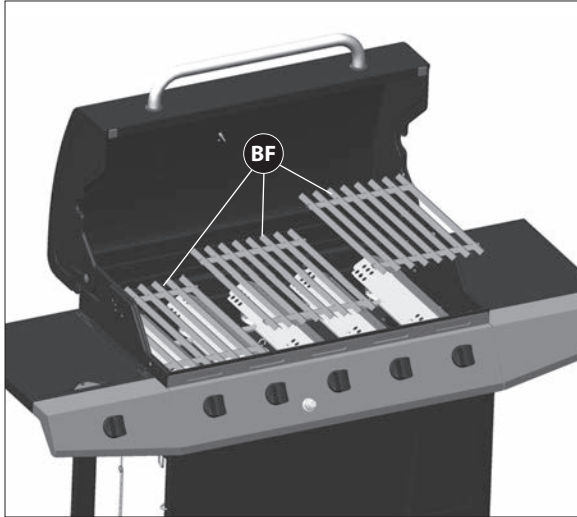
B
Close up, front



C
Close up, back

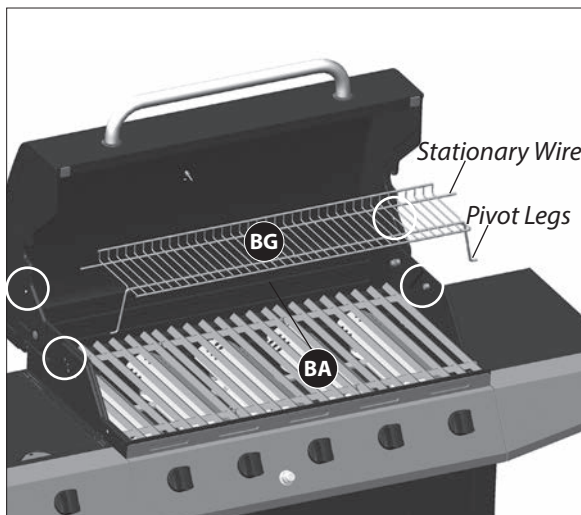
ASSEMBLY INSTRUCTIONS

12

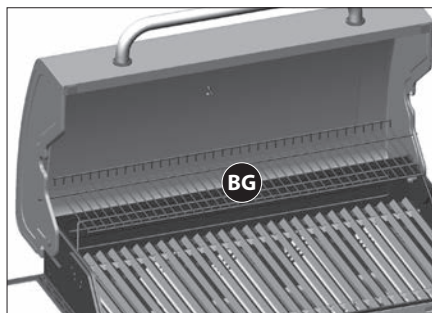


Place the Cooking Grates (BF) into the Burner Box Assembly (BA).

13



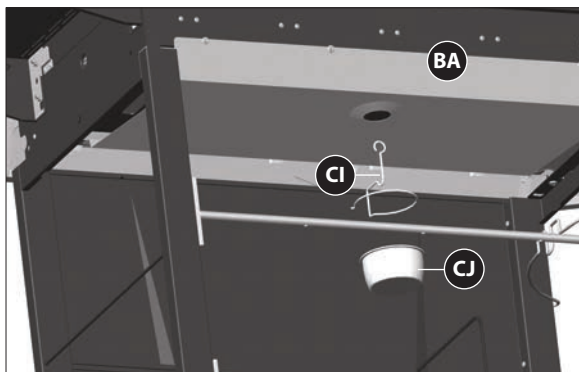
To assemble the Warming Rack (BG), insert the stationary wire into the holes on the sides of the lid. Insert warming rack pivot legs into the holes on the inside of the burner box assembly, as shown.



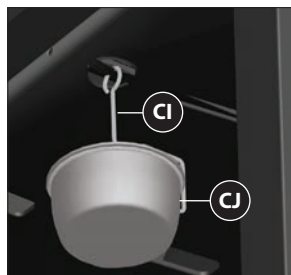
Close up

ASSEMBLY INSTRUCTIONS

14



Back view



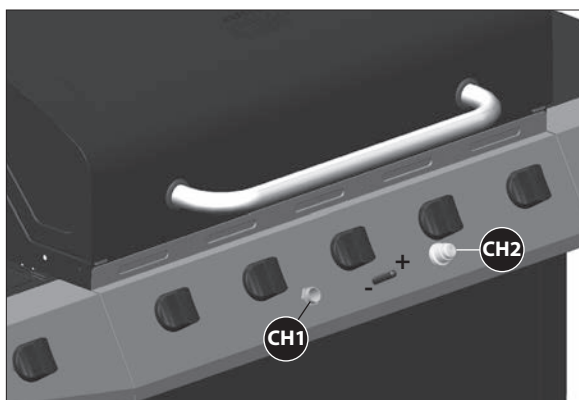
Close up

Hang the Grease Cup Hook (CI) from the bottom of the Burner Box (BA), and place Grease Cup (CJ) into position.

⚠ CAUTION ⚠

Failure to assemble grease cup hook and grease cup will cause hot grease to drip from the bottom of the BBQ burner box, with the risk of fire, property damage, or personal injury.

15



Electronic ignition battery not included.

Unscrew the electronic ignition button (CH2) and insert one AA battery into the electronic ignition battery compartment (CH1), with the positive end facing outward.

ASSEMBLY INSTRUCTIONS

16



Position the 20 lb propane tank into the notches located on the bottom of the Left Cart Side Panel (DB). Position the Gas Tank Support (DK) onto the tank collar. Attach the regulator coupling nut (CE) to the propane tank valve.

⚠ ATTENTION ⚠

LP Cylinder is sold separately. Use only LP tanks that are equipped with an OPD (Overfill protection device). Fill and leak check before attaching to the BBQ hose and regulator. See Safe Use and Care Manual, leak test procedure for more information

⚠ WARNING ⚠

When assembling regulator onto LP cylinder, ensure that the regulator is assembled below the support bar, as shown.

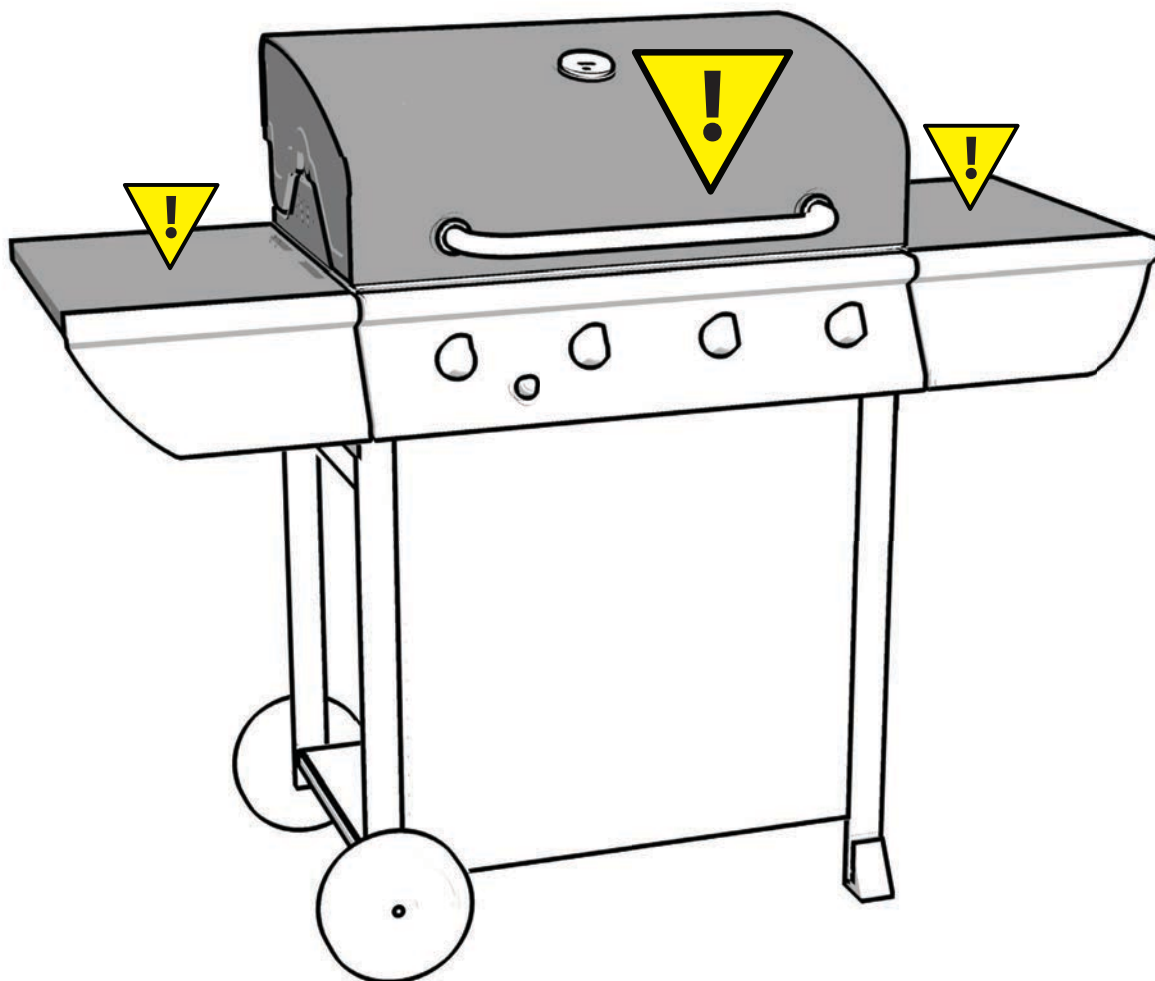
⚠ CAUTION ⚠

Cylinder valve must face to the front of cart once the tank is attached. Failure to install cylinder correctly may allow gas hose to be damaged in operation, resulting in fire.

⚠ WARNING ⚠

Always keep LP cylinder in upright position during use, transport and storage.

⚠ WARNING HOT SURFACES:



- **CAUTION!**
 - **AVOID BURNS!**
 - **DO NOT TOUCH WHEN BBQ IS IN USE!**
 - **EXTREMELY HOT SURFACE!**
- * SHADED AREAS BECOME EXTREMELY HOT WHEN IN USE.**

MASTER
Chef^{TM/MC}

Visit **www.masterchefbbqs.com**
to complete product registration.

Master Chef® Customer Service
1-855-453-2150

Trileaf Distributions Trifeuil
Toronto, Ontario M4S 2B8