

MASTER
*Chef*TM
MC



S380 Barbecue Assembly Manual

85-3096-2 (G31221) Propane
85-3097-0 (G31222) Natural Gas
1 YEAR LIMITED WARRANTY

READ AND SAVE MANUAL FOR FUTURE REFERENCE.

Assemble your grill immediately.
Missing or damaged parts claims must be submitted within 30 days of purchase date.

**For product inquiries, parts, warranty and troubleshooting support,
please call 1-855-453-2150.**

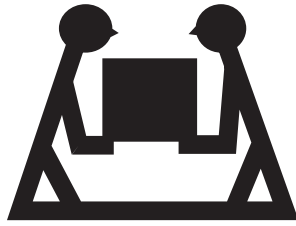
Manual Revision #: 08132014 AT



ANS Z21.586-2012-CSA 1.86-2012
Outdoor Cooking Gas Appliances



ANS Z21.586-2012-CSA 1.86-2012
Outdoor Cooking Gas Appliances



HEAVY ARTICLE NEEDS 2 TO LIFT

THIS MANUAL MUST REMAIN WITH THE PRODUCT AT ALL TIMES

To ORDER non-warranty replacement parts or accessories, or to register your warranty, please visit us on the web at

www.masterchefbbqs.com

⚠ CAUTION

Sharp edges. Wear gloves when assembling your grill.

⚠ CAUTION

Read and follow all safety statements, assembly instructions, use and care directions before attempting to assemble and cook.

⚠ INSTALLER OR ASSEMBLER/CONSUMER

This manual should be kept with the BBQ at all times.

⚠ WARNING

Failure to follow all of the Manufacturer's instructions could result in hazardous fires, explosions, property damage, or serious personal injury or even death.

Follow all leak check procedures carefully prior to operation of barbecue, even if grill was dealer assembled. Do not try to light this barbecue without reading the Lighting Instructions section of this manual.

⚠ DANGER

1. If you smell Gas:
 - a. Shut off gas to the appliance
 - b. Extinguish any open flame
 - c. Open lid
 - d. If odor continues, keep away from the appliance and immediately call your gas supplier or your fire department
 2. Requires two people to complete the assembly process.
 3. Beware of sharp edges.
-

⚠ WARNING

1. Do not store or use gasoline or other flammable liquids or vapours in the vicinity of this or any other appliance.
 2. An LP cylinder not connected for use shall not be stored in the vicinity of this or any other appliance.
-

⚠ WARNING

IN DIRECT SUN, AND IN OPERATION, YOUR BBQ'S STAINLESS STEEL AND PAINTED STEEL PARTS CAN BECOME VERY HOT.

THIS BARBECUE IS FOR OUTDOOR USE ONLY

CONTACT CALL CENTRE IF ANY PARTS ARE MISSING

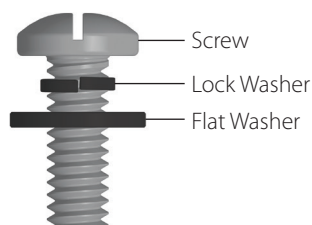
1-855-453-2150

HARDWARE PACK

TOOLS NEEDED FOR ASSEMBLY


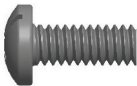
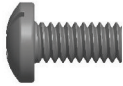
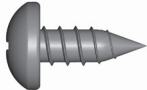
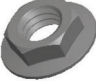







- #2 Phillips screwdriver (long and short)
- ¼" Slotted screwdriver (long and short)
- Adjustable wrench
- Pliers

For correct hardware assembly, always position the lock washer between the screw and the flat washer.



KEY #	DESCRIPTION	PART NUMBER	QUANTITY
1	NO.10-24UNC X23 Screw	20124-10023-036	2
2	NO.10-24UNC X13 Screw	20124-10013-036	30
3	NO.8-32UNC X10 Screw	20132-08010-250	2
4	ST4.2X8 Tapping Screw	24200-42008-136	8
5	NO.10-24UNC Nut	31224-10000-036	2
6	φ5 Lock Washer	41400-05000-036	6
7	φ5 Washer	40300-05000-036	6
8	NO.8 Wing Nut	33300-08000-032	1
9	Venturi Clip, Side Burner	G305-0057-9000	1
10	Wheel Spacer	G305-0024-9088	2
11	Hitch Pin	G306-0005-9088	1
12	Washer (Wheel)	40300-08000-036	1

⚠ Caution:
Sheet metal can cause injury. Wear gloves when installing the grill.

<p>1</p>  <p>NO.10-24UNC X23 Screw X 2</p>	<p>2</p>  <p>NO.10-24UNC X13 Screw X30</p>	<p>3</p>  <p>NO.8-32UNC X10 Screw X 2</p>
<p>4</p>  <p>ST4.2X8 Tapping Screw X 8</p>	<p>5</p>  <p>NO.10-24UNC Nut X 2</p>	<p>6</p>  <p>φ5 Lock Washer X 6</p>
<p>7</p>  <p>φ5 Washer X 6</p>	<p>8</p>  <p>NO.8 Wing Nut X 1</p>	<p>9</p>  <p>Venturi Clip, Side Burner X 1</p>
<p>10</p>  <p>Wheel Spacer X 2</p>	<p>11</p>  <p>Hitch Pin X 1</p>	<p>12</p>  <p>Washer (Wheel) X 1</p>

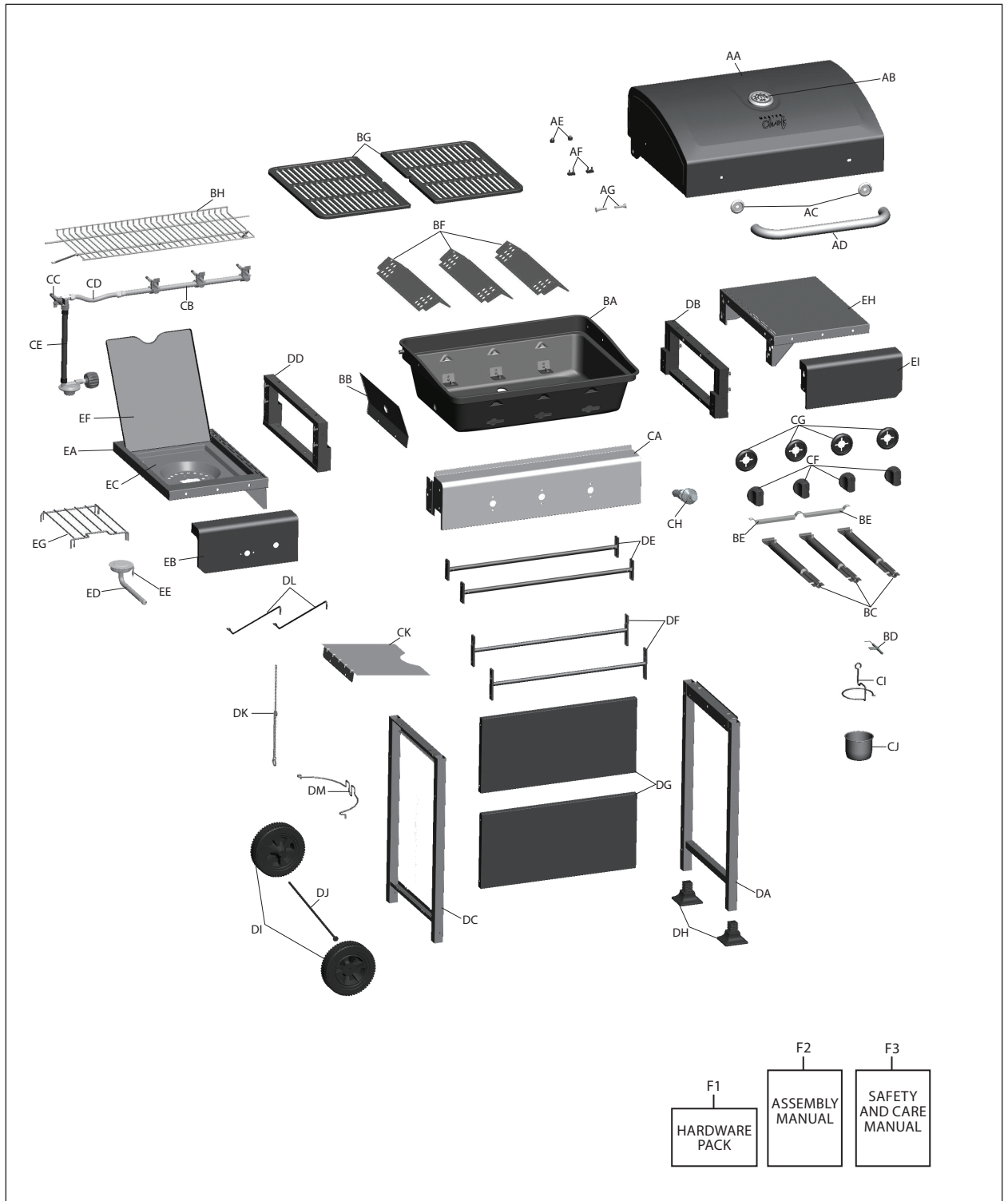
BEFORE ASSEMBLING THIS BARBECUE, READ THE INSTRUCTIONS CAREFULLY.

Assemble the barbecue on a flat, clean surface. Grill is heavy. Two people are recommended to complete assembly.

PARTS LIST (PROPANE) FOR 85-3096-2 (G31221)

KEY #	QUANTITY	DESCRIPTION	PART NO.
AA	1	Top lid assembly	G312-BA00-01
AB	1	Thermometer and bezel	G312-B201-01
AC	2	Lid handle brackets	G352-0015-01
AD	1	Top lid handle	G312-B203-01
AE	2	Lid bumpers-back	G527-0002-01
AF	2	Lid bumpers-front	G430-00B8-01
AG	2	Screws for lid	G309-0008-01
BA	1	Burner box assembly	G312-9200-01
BB	1	Side heat shield	G312-2201-01
BC	3	Burner	G312-OD00-01
BD	1	Electrode set, main burner	G312-B103-01
BE	2	Carryover assembly	G312-0012-01
BF	3	Flame tamer	G312-0205-01
BG	2	Cooking grate	G312-2102-01
BH	1	Warming rack	G312-0010-01
CA	1	Control panel	G312-BJ00-01
CB	1	Manifold assembly	G312-BD00-01
CC	1	Side burner valve, LP	G312-BD02-01
CD	1	Metal hose, side burner	G430-2403-01
CE	1	Regulator	G311-0503-01
CF	4	Control knob	G312-B102-01
CG	4	Bezel, control knob	G430-0027-02
CH	1	Ignitor	G206-0301-01
CI	1	Grease cup hook	G305-0043-01
CJ	1	Grease cup	G307-0025-01
CK	1	Heat shield (tank)	G312-0408-01
DA	1	Lower cart frame, right	G312-B600-01
DB	1	Upper cart frame, right	G312-B900-01
DC	1	Lower cart frame, left	G312-B500-01
DD	1	Upper cart frame, left	G312-B800-01
DE	2	Upper cart brace	G312-AF00-01
DF	2	Back brace	G312-B700-01
DG	2	Front panel	G312-B001-01
DH	2	End caps	G312-OL07-01
DI	2	Wheel	G437-0037-01
DJ	1	Wheel axle	G312-B004-01
DK	1	Match holder	G401-0079-01
DL	2	Tank exclusion	G312-B002-01
DM	1	Gas tank support	G312-B003-01
EA	1	Side shelf table, left	G312-BC00-01
EB	1	Side shelf fascia, left	G312-B301-01
EC	1	Side burner drip pan	G651-0038-01
ED	1	Side burner	G432-Y300-01
EE	1	Electrode set, side burner	G431-0034-02
EF	1	Side burner lid	G430-0018-A1
EG	1	Side burner grate	G430-0053-01
EH	1	Side shelf table, right	G312-BL00-01
EI	1	Side shelf fascia, right	G312-B401-01
F1	1	Hardware pack	G312-B021-01
F2	1	Assembly instructions	G312-M021-01
F3	1	Safe use and care manual	G312-M021-02

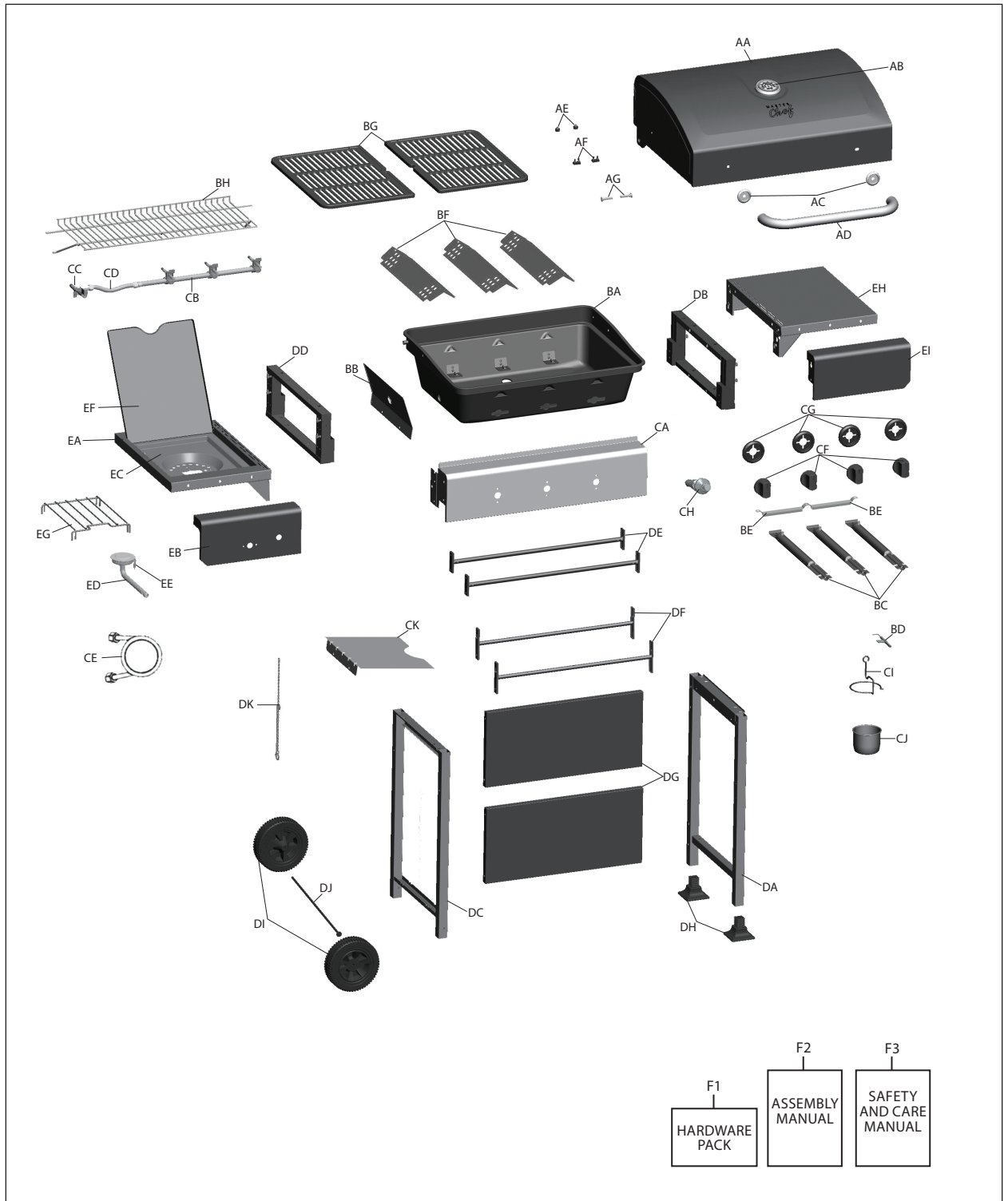
EXPLODED DIAGRAM (PROPANE) FOR 85-3096-2 (G31221)



PARTS LIST (NATURAL GAS) FOR 85-3097-0 (G31222)

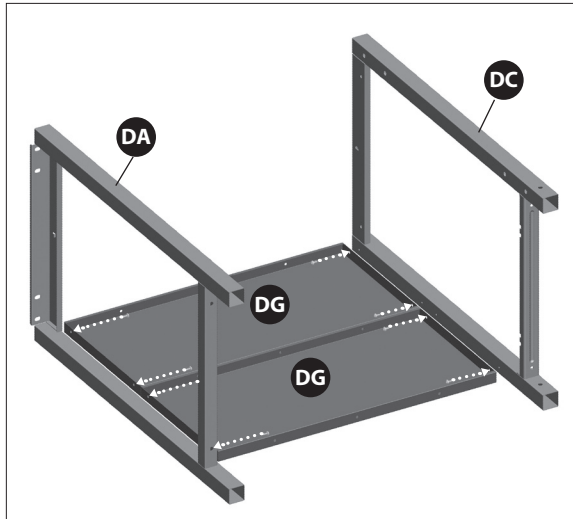
KEY #	QUANTITY	DESCRIPTION	PART NO.
AA	1	Top lid assembly	G312-BA00-01
AB	1	Thermometer and bezel	G312-B201-01
AC	2	Lid handle brackets	G352-0015-01
AD	1	Top lid handle	G312-B203-01
AE	2	Lid bumpers-back	G527-0002-01
AF	2	Lid bumpers-front	G430-00B8-01
AG	2	Screws for lid	G309-0008-01
BA	1	Burner box assembly	G312-9200-01
BB	1	Side heat shield	G312-2201-01
BC	3	Burner	G312-OD00-01
BD	1	Electrode set, main burner	G312-B103-01
BE	2	Carryover assembly	G312-0012-01
BF	3	Flame tamer	G312-0205-01
BG	2	Cooking grate	G312-2102-01
BH	1	Warming rack	G312-0010-01
CA	1	Control Panel	G312-BJ00-01
CB	1	Manifold assembly	G312-BH00-01
CC	1	Side burner valve, NG	G312-BH02-01
CD	1	Metal hose, side burner	G430-2403-01
CE	1	Natural gas hose	G501-0099-01
CF	4	Control knob	G312-B102-01
CG	4	Bezel, control knob	G430-0027-02
CH	1	Ignitor	G206-0301-01
CI	1	Grease cup hook	G305-0043-01
CJ	1	Grease cup	G307-0025-01
CK	1	Heat shield (tank)	G312-0408-01
DA	1	Lower cart frame, right	G312-B600-01
DB	1	Upper cart frame, right	G312-B900-01
DC	1	Lower cart frame, left	G312-B500-01
DD	1	Upper cart frame, left	G312-B800-01
DE	2	Upper cart brace	G312-AF00-01
DF	2	Back Brace	G312-B700-01
DG	2	Front panel	G312-B001-01
DH	2	End caps	G312-OL07-01
DI	2	Wheel	G437-0037-01
DJ	1	Wheel Axle	G312-B004-01
DK	1	Match holder	G401-0079-01
EA	1	Side shelf table, left	G312-BC00-01
EB	1	Side shelf fascia, left	G312-B301-01
EC	1	Side burner drip pan	G651-0038-01
ED	1	Side burner	G432-Y300-01
EE	1	Electrode set, side burner	G431-0034-02
EF	1	Side burner lid	G430-0018-A1
EG	1	Side burner grate	G430-0053-01
EH	1	Side shelf table, right	G312-BL00-01
EI	1	Side shelf fascia, right	G312-B401-01
F1	1	Hardware pack	G312-B021-01
F2	1	Assembly instructions	G312-M021-01
F3	1	Safe use and care manual	G312-M021-02

EXPLODED DIAGRAM (NATURAL GAS) FOR 85-3097-0 (G31222)

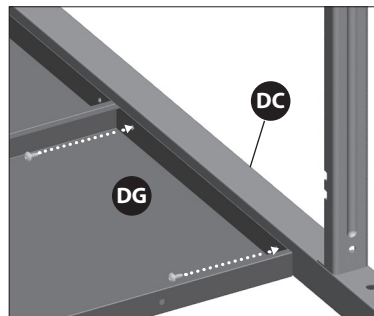


ASSEMBLY INSTRUCTIONS

1



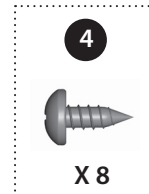
Front View



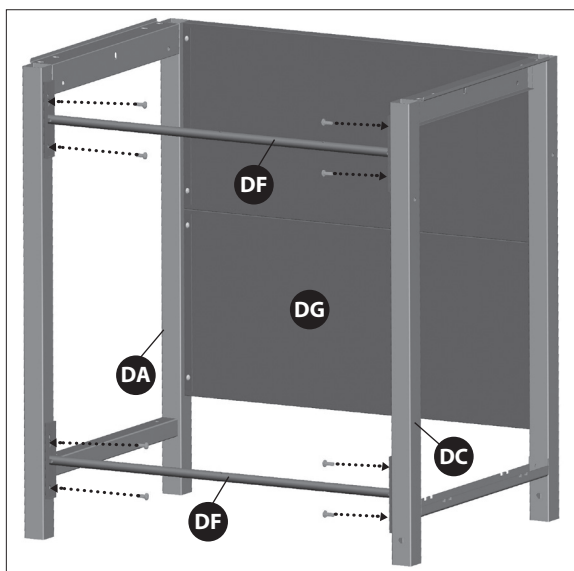
Close Up

Assemble two front panels (DG) to the lower left and right cart frames (DA and DC) as shown.

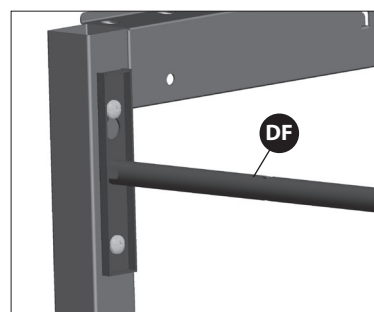
YOU WILL NEED:



2



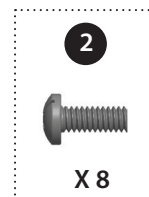
Back View



Close Up

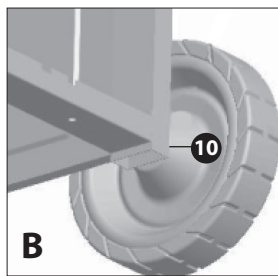
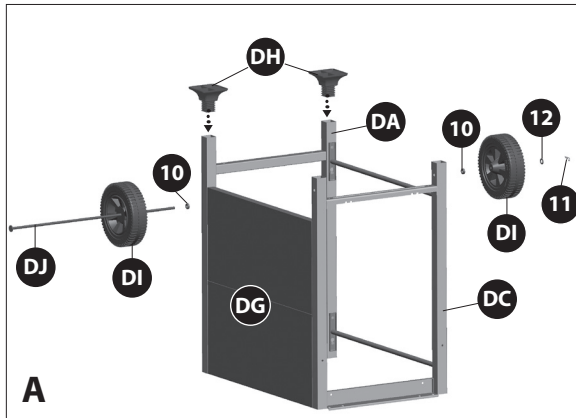
Assemble two back braces (DF) to the lower left and right cart frames (DA and DC) as shown.

YOU WILL NEED:

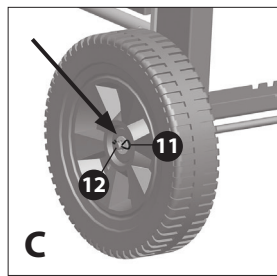


ASSEMBLY INSTRUCTIONS

3



Close up

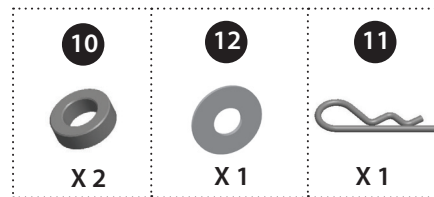


Close up

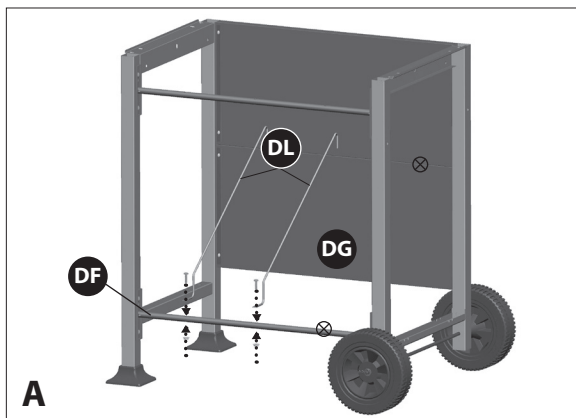
Note: Turn Cart assembly upside down.

- Place wheel (DI) and wheel spacer (#10) onto the wheel axle (DJ). "Cone" side of wheel should be against cart side panel, figure B.
- Insert wheel axle assembly (DJ) through wheel axle hole in the front and rear of the left cart side panel (DC), as shown.
- To complete wheel assembly position the wheel spacer (#10), wheel (DI), wheel washer (#12) and hitch pin (#11), onto wheel axle (DJ) as shown.
- Insert end caps (DH) into right cart side panel (DA).

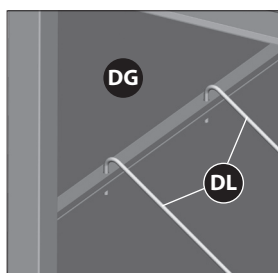
YOU WILL NEED:



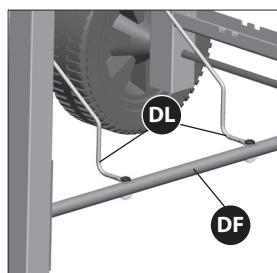
4



Back View



Close up - front view

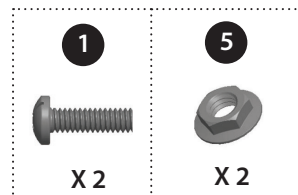


Close up - back view

**PROPANE MODEL ONLY.
NATURAL GAS MODEL WILL NOT
HAVE TANK EXCLUSION (DL) AS
SHOWN.**

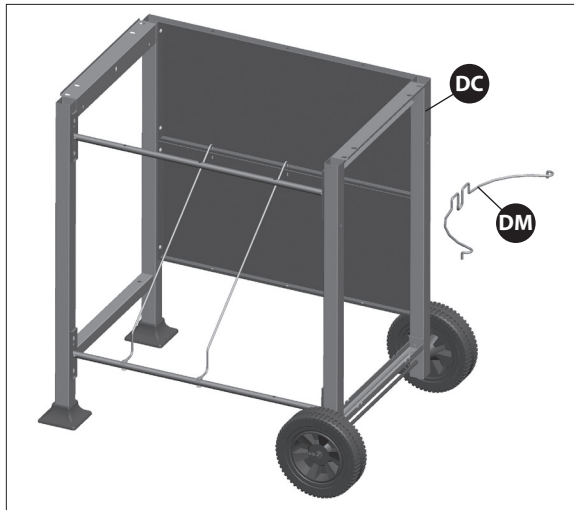
Assemble two tank exclusion wires (DL) to the back brace (DF) and the front panel (DG), as shown. Use left and middle hole only.

YOU WILL NEED:

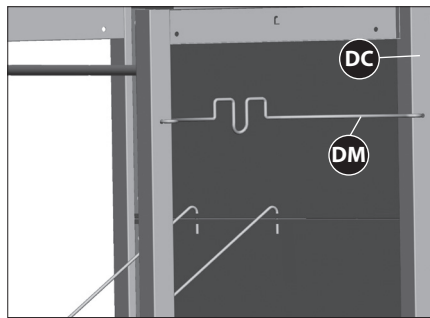


ASSEMBLY INSTRUCTIONS

5



Back View

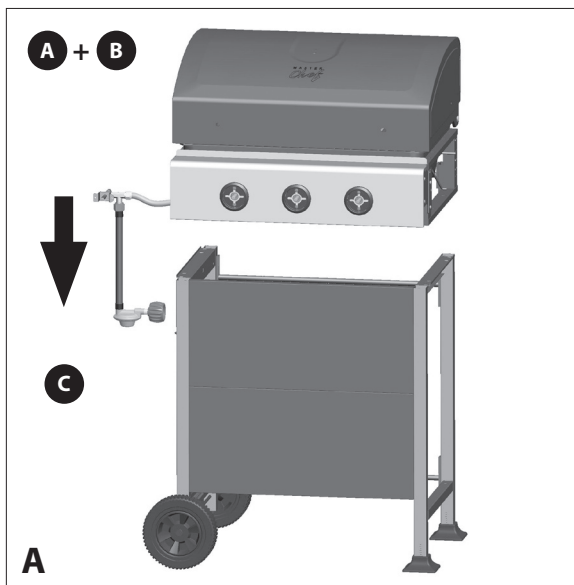


Close up

PROPANE MODEL ONLY.

Assemble the gas tank support (DM) to left cart frame (DC).

6

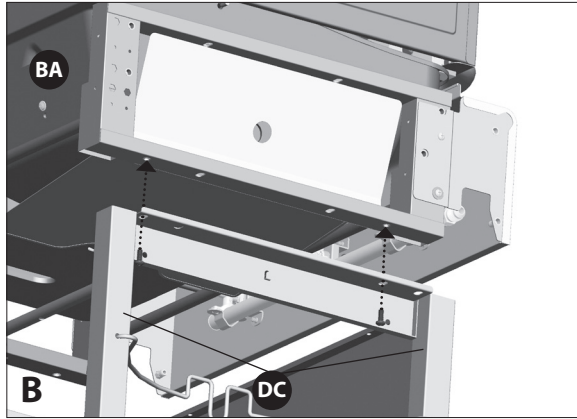


Note: TWO PEOPLE required for this step. Ensure that the regulator hose (CE) (Propane models only) is hanging outside of cart.

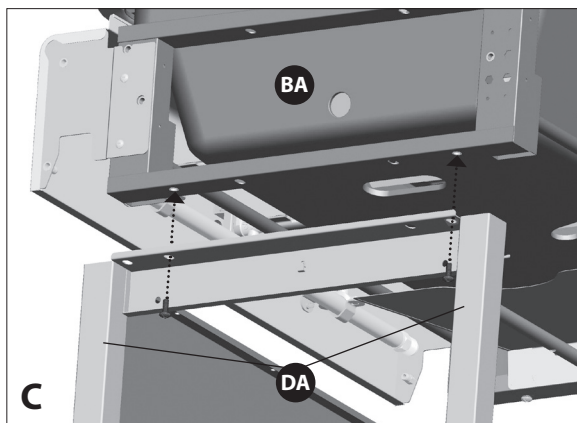
- a. Position the lid and burner box assembly (A & B), onto the cart assembly (C).

ASSEMBLY INSTRUCTIONS

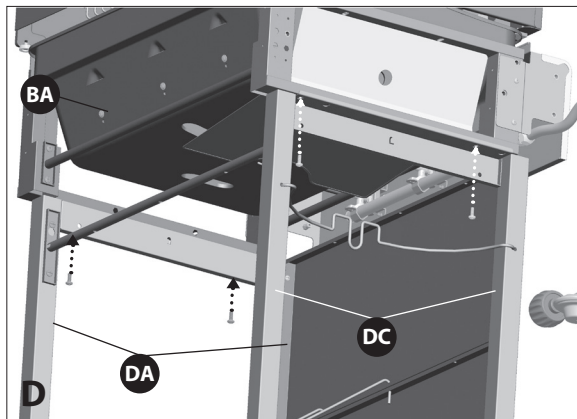
6



Left side View



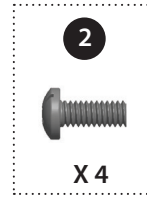
Right side View



Back View

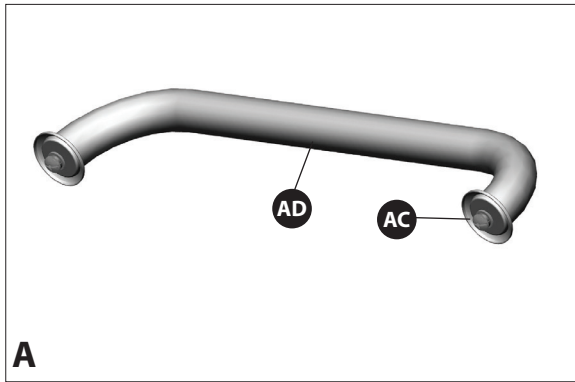
b. Assemble the burner box assembly (BA) to the cart assembly (C), as shown in figure B.

YOU WILL NEED:

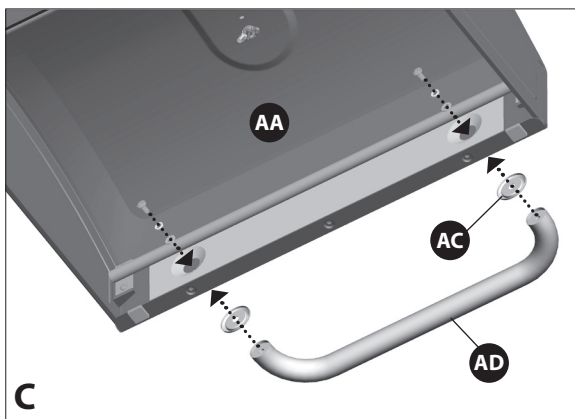
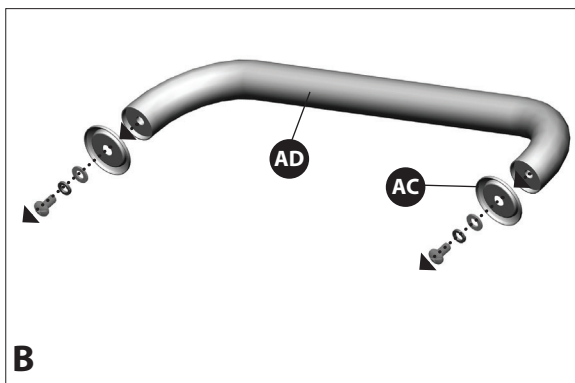


ASSEMBLY INSTRUCTIONS

7



- a. Remove the hardware and lid handle brackets (AC) that are pre-assembled to the lid handle (AD), as shown in figure A and B.

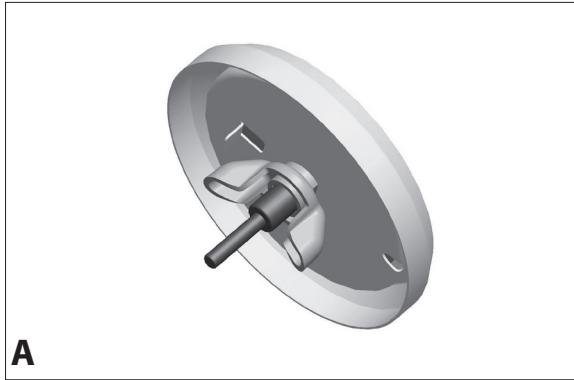


- b. Assemble the lid handle (AD) to the top lid assembly (AA) using the hardware from step A, as shown in figure C.

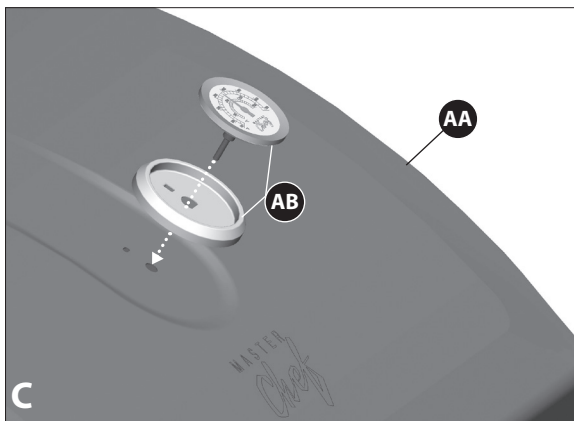
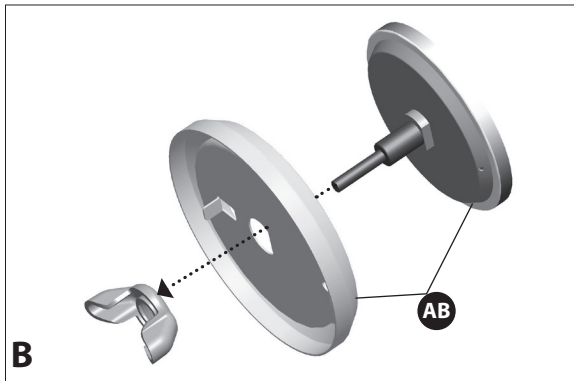
View from inside of the lid

ASSEMBLY INSTRUCTIONS

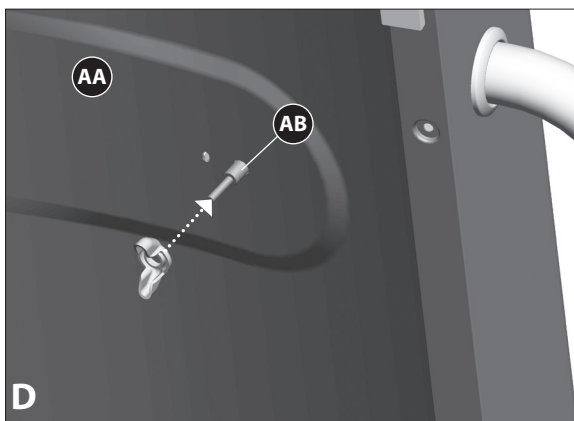
8



a. Remove the hardware and thermometer bezel that are pre-assembled to the thermometer (AB), as shown in figure A and B.



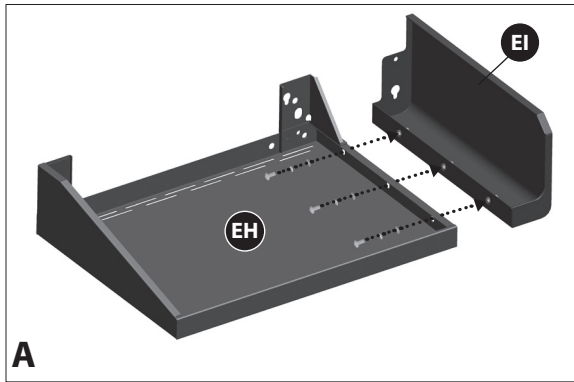
b. Assemble the thermometer and bezel (AB) to the top lid assembly (AA), using the hardware from step A, as shown in figure C and D.



View from inside of the lid

ASSEMBLY INSTRUCTIONS

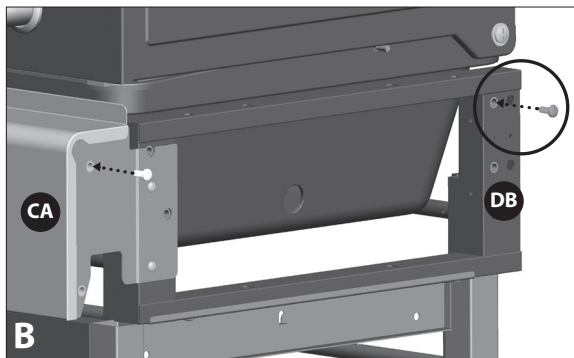
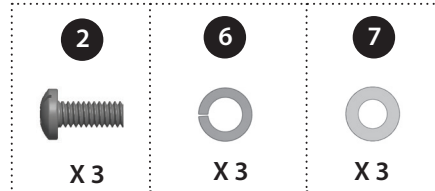
9



RIGHT SIDE SHELF ASSEMBLY

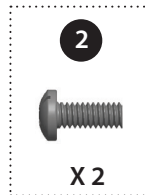
a. Assemble the right side shelf fascia (EI) to right side shelf table (EH).

YOU WILL NEED:



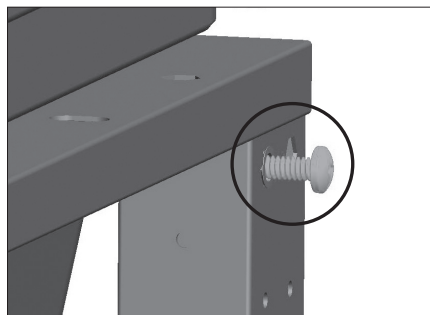
b. Assemble the hardware to the right upper cart frame (DB) and control panel (CA).
Do not tighten.

YOU WILL NEED:

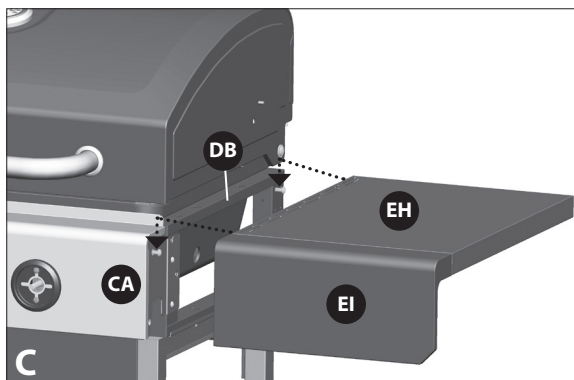


Right side view

TIP: Only assemble to brass nut.



Close up

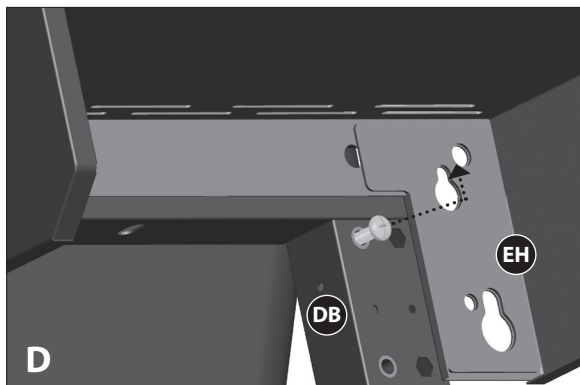


Right side view

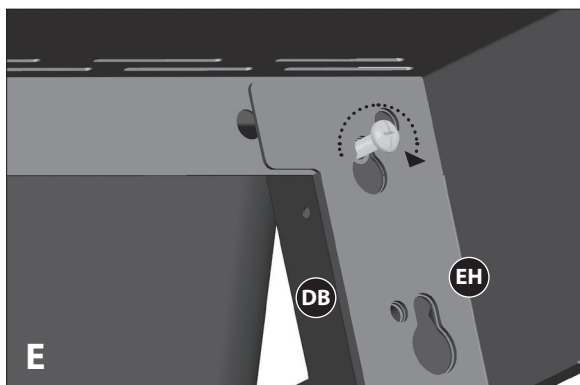
c. Position the right side shelf assembly (EH and EI) onto the hardware half-tightened in Step 9B, as shown in figure C and D.

ASSEMBLY INSTRUCTIONS

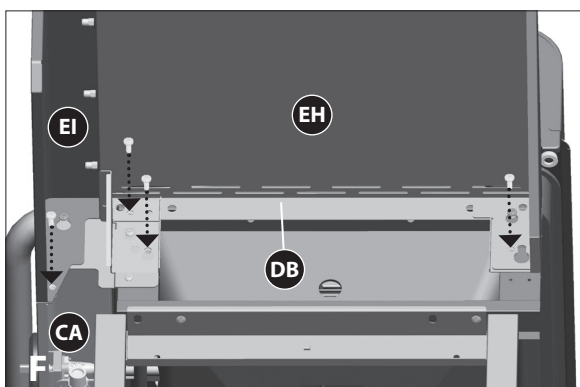
9



Back view, under right side shelf



Back view, under right side shelf

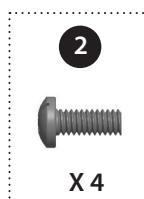


View, under right side shelf

d. Tighten screws.

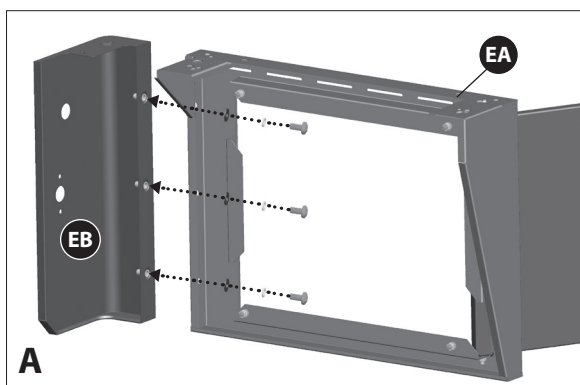
e. Assemble the right side shelf assembly (EH and EI) to the control panel (CA) and right upper cart frame (DB).

YOU WILL NEED:



TIP: Only assemble to brass nut.

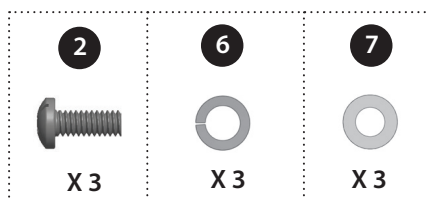
10



LEFT SIDE SHELF ASSEMBLY

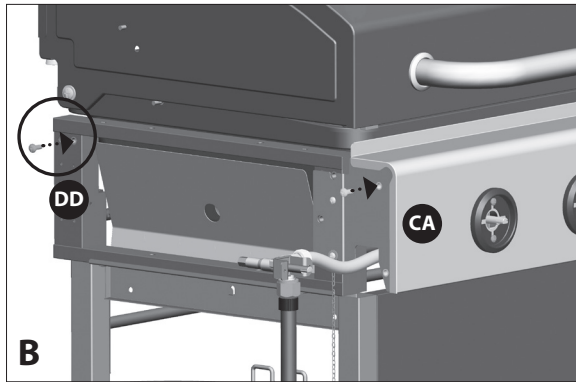
a. Assemble the left side shelf fascia (EB) to left side shelf table (EA).

YOU WILL NEED:

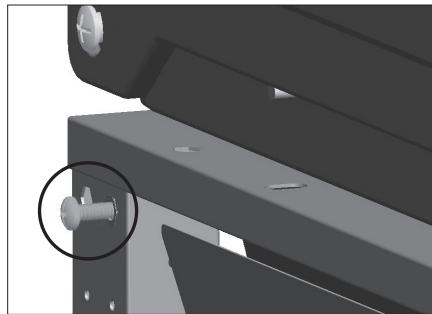


ASSEMBLY INSTRUCTIONS

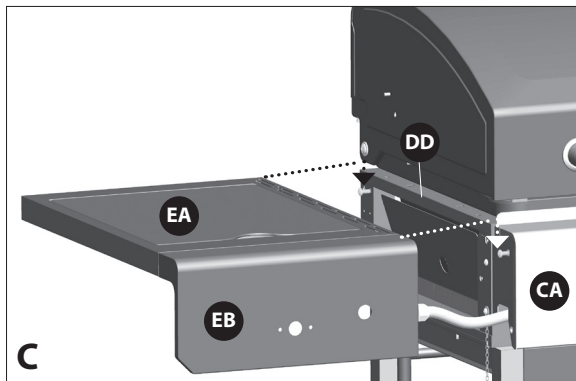
10



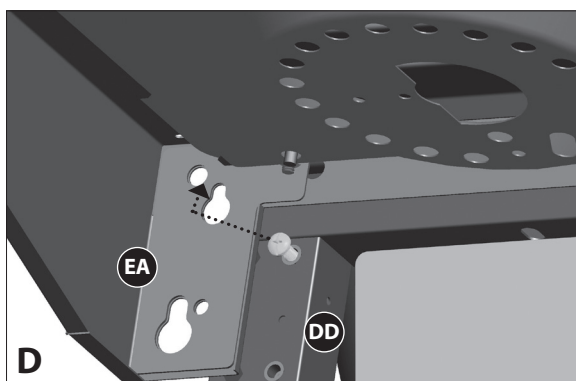
Left side view



Close up



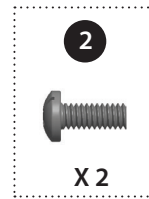
Left side view



Back view, under left side shelf

b. Assemble the hardware to the left upper cart frame (DD) and control panel (CA).
Do not tighten.

YOU WILL NEED:

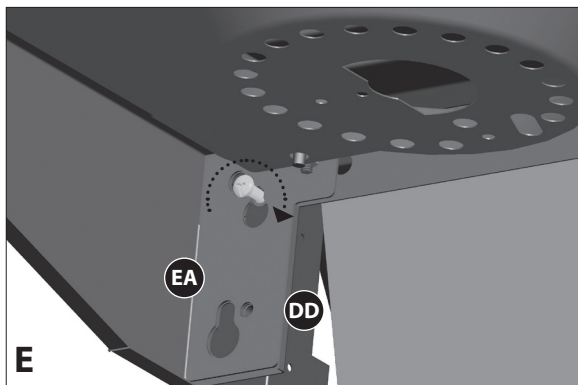


TIP: Only assemble to brass nut.

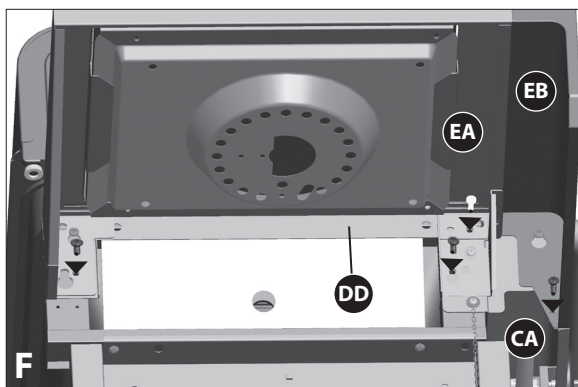
c. Position the left side shelf assembly (EA and EB) onto the hardware half-tightened in Step 10B, as shown in figure C and D.

ASSEMBLY INSTRUCTIONS

10



E Back view, under left side shelf

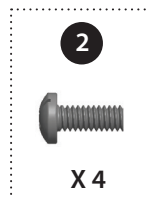


F View, under left side shelf

d. Tighten screws.

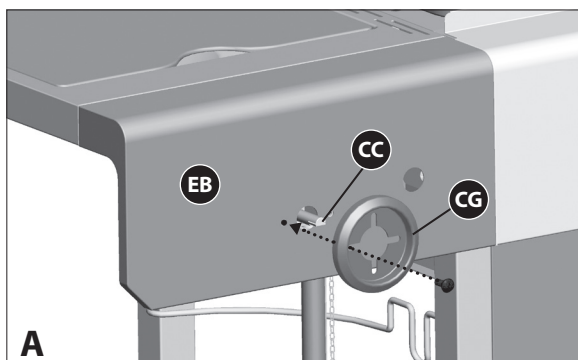
e. Assemble the left side shelf assembly (EA and EB) to the control panel (CA) and left upper cart frame (DD).

YOU WILL NEED:



TIP: Only assemble to brass nut.

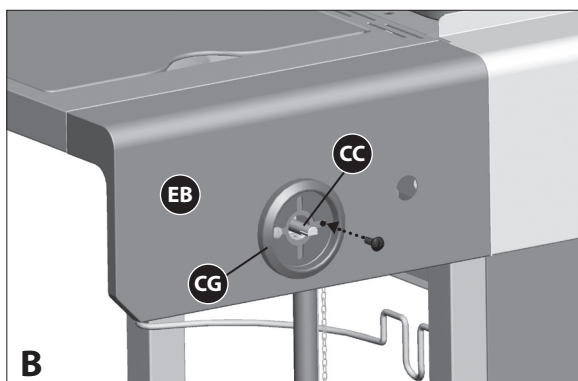
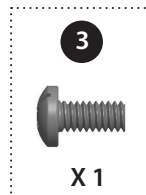
11



A Front view

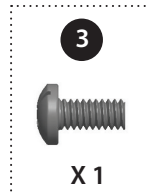
a. Assemble the control knob bezel (CG) to the left side shelf fascia (EB) and the side burner valve (CC), as shown in figure A and B.

YOU WILL NEED:



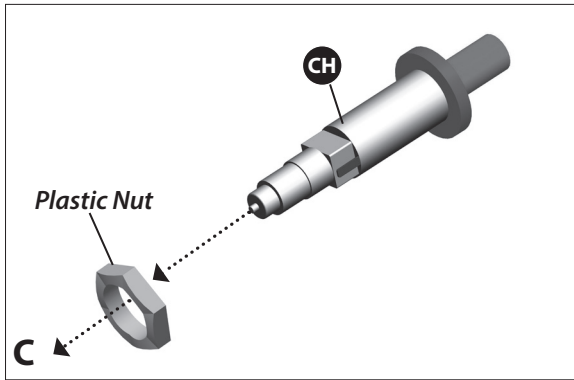
B Front view

YOU WILL NEED:

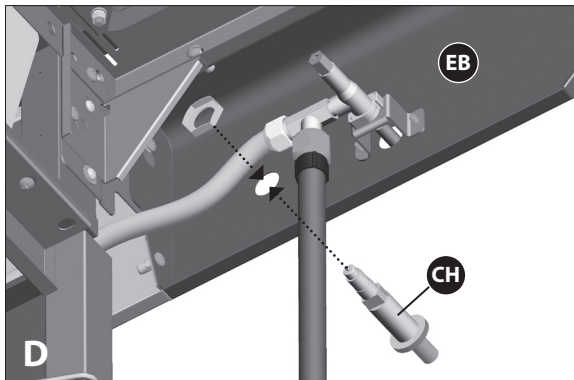


ASSEMBLY INSTRUCTIONS

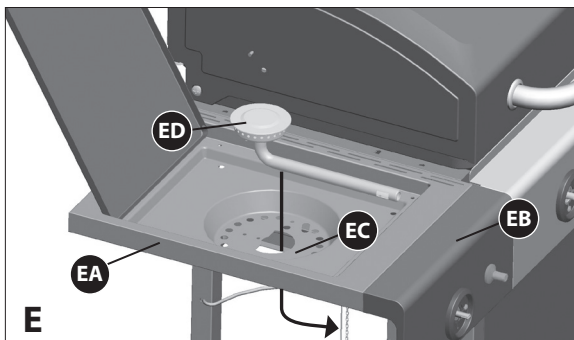
11



b. Remove the plastic nut from the ignitor (CH). Assemble it through the front of the left side shelf fascia (EB), as shown in figure C and D.

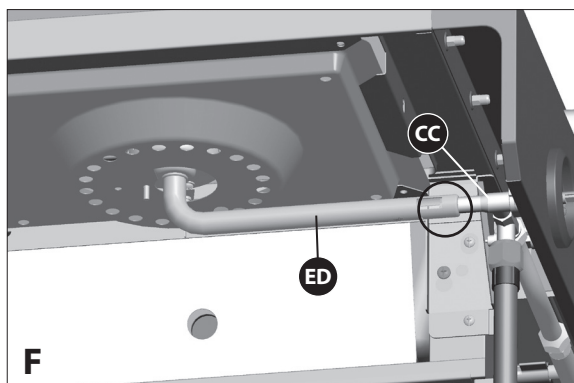


View, under left side shelf



Left side view

c. Position the side burner (ED) through the opening in the left side burner drip pan (EC).

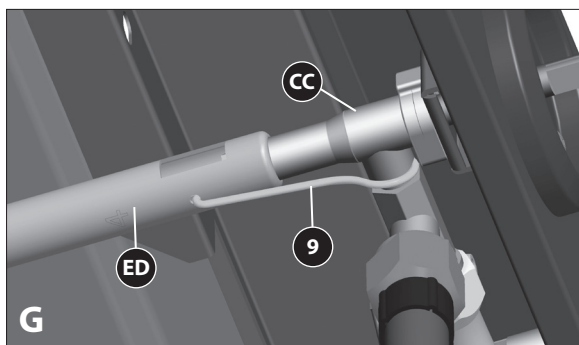


View, under left side shelf

d. Make sure that the side burner (ED) engages the side burner valve (CC) as shown in figure F.

ASSEMBLY INSTRUCTIONS

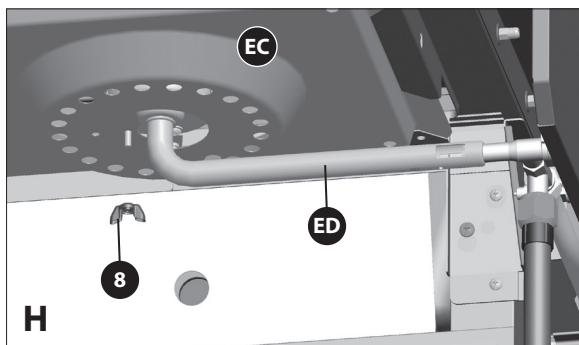
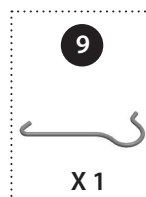
11



View, under left side shelf

e. Use the side burner venturi clip (#9) to connect the side burner (ED) and the side burner valve (CC), as shown in figure G.

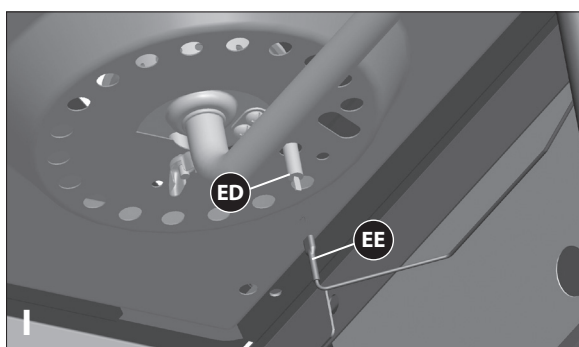
YOU WILL NEED:



View, under left side shelf

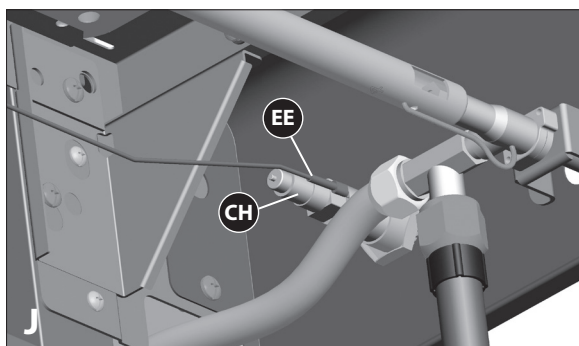
f. Assemble the side burner (ED) to the side burner drip pan (EC) as shown in figure H.

YOU WILL NEED:



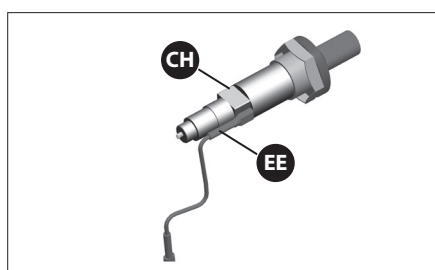
View, under left side shelf

g. Assemble the side burner electrode wire (EE) to the underside of the side burner electrode (ED) as shown in figure I. Make sure the electrode wire (EE) is pushed in firmly.



View, under left side shelf

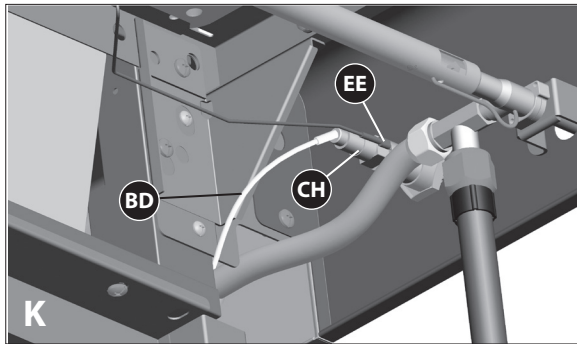
h. Attach the other end of the side burner electrode wire (EE) to the ignitor (CH) as shown in figure J. Make sure the electrode wire (EE) is pushed in firmly.



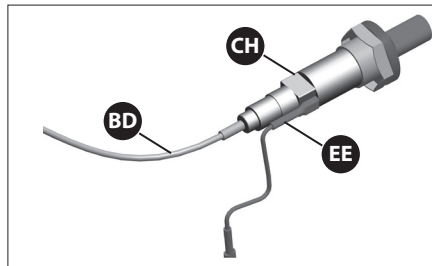
Close up

ASSEMBLY INSTRUCTIONS

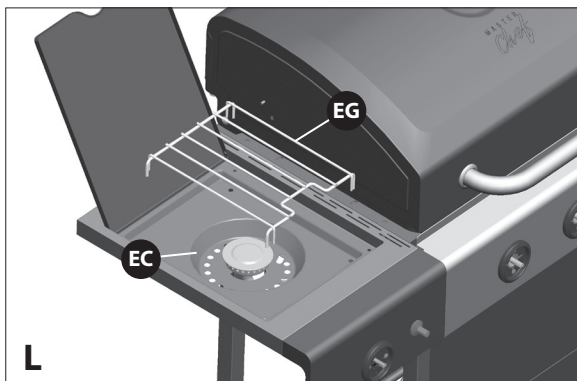
11



View, under left side shelf



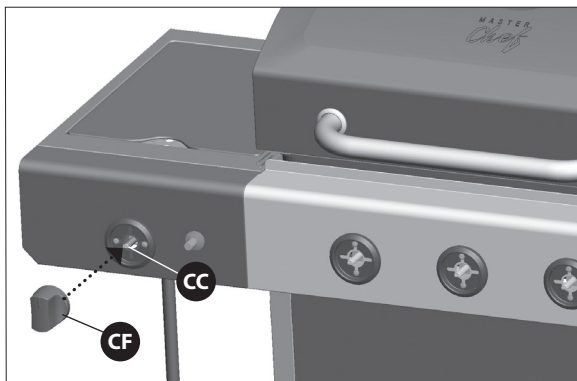
Close up



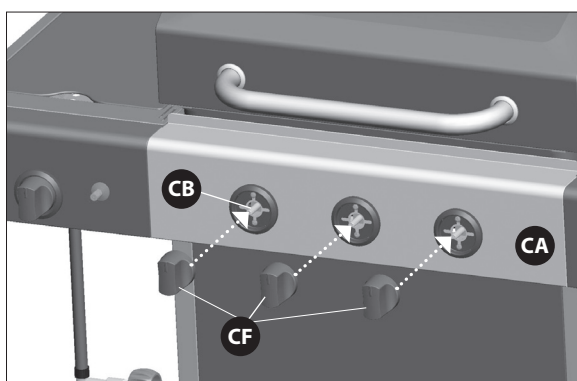
- i. Attach the main burner electrode wire (BD) to the ignitor (CH) as shown in figure K. Make sure that the electrode wire (BD) is pushed in firmly.

- j. Position the side burner grate (EG) onto the side burner drip pan (EC).

12



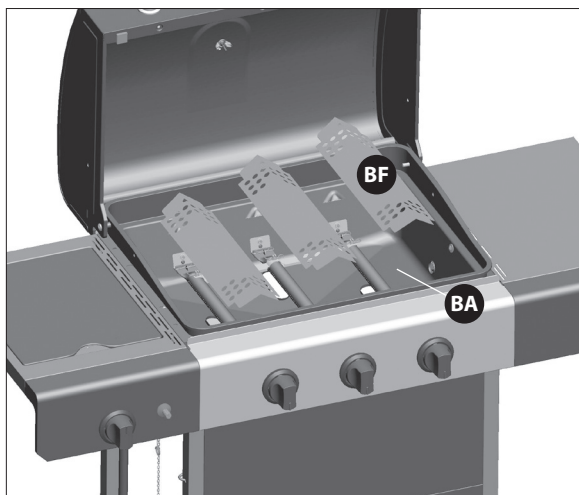
- a. Assemble the side burner control knob (CF) onto the side burner valve (CC).



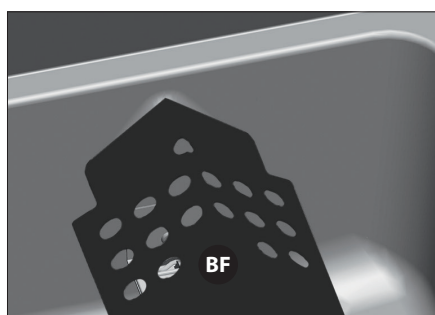
- b. Assemble the three control knobs (CF) onto the valve stems of the manifold assembly (CB) located on the control panel (CA).

ASSEMBLY INSTRUCTIONS

13



Place the flame tamers (BF) into the burner box assembly (BA).



Close up

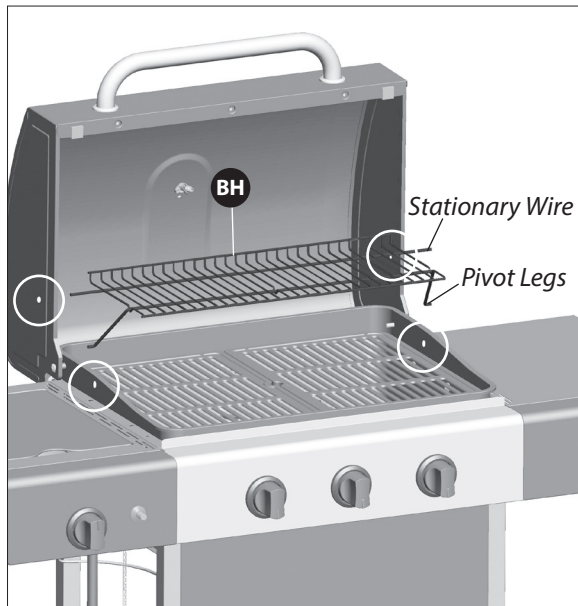
14



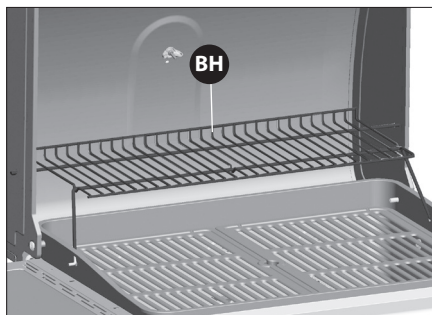
Place the cooking grate (BG) into the burner box (BA).

ASSEMBLY INSTRUCTIONS

15

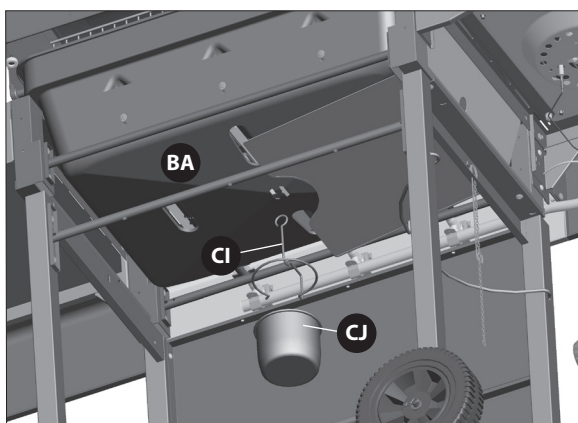


To assemble the warming rack (BH), insert the stationary wire into the holes on the sides of the lid. Insert warming rack pivot legs into the holes on the inside of the burner box assembly, as shown.



Close up

16



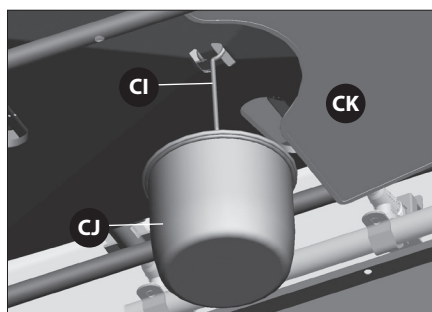
Hang the grease cup hook (CI) from the bottom of the burner box (BA), and place grease cup (CJ) into position.

PROPANE MODEL SHOWN

⚠ CAUTION ⚠

Failure to assemble grease cup hook and grease cup will cause hot grease to drip from the bottom of the BBQ burner box, with the risk of fire, property damage, or personal injury.

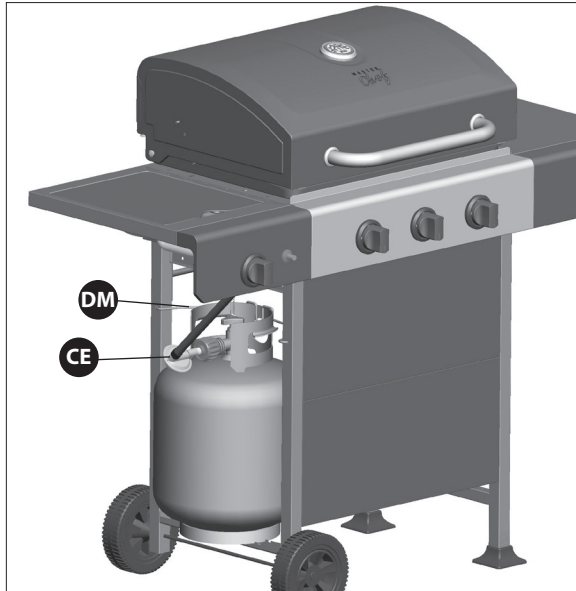
View from underneath burner box



Close up

ASSEMBLY INSTRUCTIONS

17



PROPANE MODEL ONLY

FOR NATURAL GAS MODEL, FOLLOW STEP 18.

Position the 20lb propane tank into the notches located on the bottom of the left lower cart frame (DC). Position the gas tank support (DM) onto the tank collar. Attach the regulator coupling nut (CE) to the propane tank valve.

⚠ ATTENTION ⚠

LP Cylinder is sold separately.

Use only LP tanks that are equipped with an OPD (Overfill protection device). Fill and leak check before attaching to the BBQ hose and regulator. See Safe Use and Care Manual, leak test procedure for more information

⚠ WARNING ⚠

When assembling regulator onto LP cylinder, ensure that the regulator is assembled below the support bar, as shown.

⚠ CAUTION ⚠

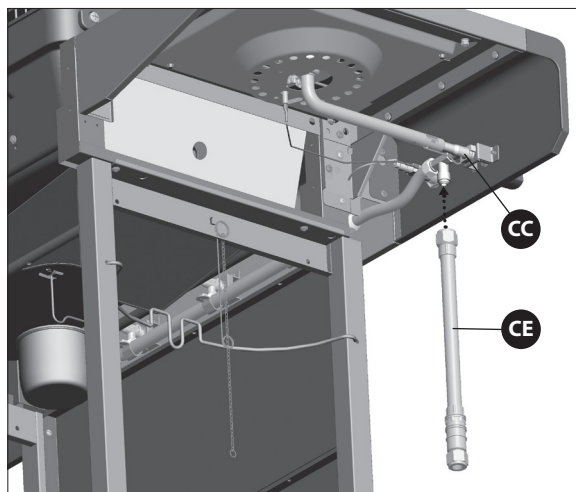
Cylinder valve must face to the front of cart once the tank is attached.

Failure to install cylinder correctly may allow gas hose to be damaged in operation, resulting in fire.

⚠ WARNING ⚠

Always keep LP cylinder in upright position during use, transport and storage.

18



View, under left side shelf

NATURAL GAS MODELS ONLY

Attach the natural gas hose (CE) to the side burner valve (CC) as shown.

⚠ ATTENTION ⚠

In order to complete installation of your natural gas BBQ a 1/2" or 3/8" adapter may be required to connect your BBQ's natural gas hose to your home gas supply. Contact your natural gas supplier to purchase the necessary part.



Visit **www.masterchefbbqs.com**
to complete product registration

Master Chef® Customer Service
1-855-453-2150