

MASTER
Chef^{TM/MC}



**PRIME 5-BURNER
PROPANE BARBECUE**
Assembly Manual

085-3177-0 / G42601
1 YEAR LIMITED WARRANTY

READ AND SAVE MANUAL FOR FUTURE REFERENCE.

Assemble your grill immediately.

Missing or damaged parts claims must be submitted within 30 days of purchase date.

**For product inquiries, parts, warranty and troubleshooting support,
please call 1-855-453-2150.**

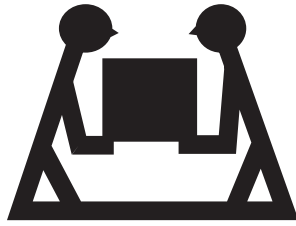


ANS Z21.58-2018 / CSA 1.6-2018
Outdoor Cooking Gas Appliances.



ANS Z21.58-2018 / CSA 1.6-2018
Outdoor Cooking Gas Appliances.

Manual Revision #: 10272020JC



HEAVY ARTICLE: NEEDS 2 TO LIFT

THIS MANUAL MUST REMAIN WITH THE PRODUCT AT ALL TIMES

To order non-warranty replacement parts or accessories, or to register your warranty, please visit us on the web at

www.masterchefbbqs.com

⚠ CAUTION

Sharp edges. Wear gloves when assembling your grill.

⚠ CAUTION

Read and follow all safety statements, assembly instructions, use and care directions before attempting to assemble and cook.

⚠ INSTALLER OR ASSEMBLER/CONSUMER

This manual should be kept with the barbecue at all times.

⚠ WARNING

Failure to follow all of the Manufacturer's instructions could result in hazardous fires, explosions, property damage, serious personal injury or even death.

Follow all leak check procedures carefully prior to operation of barbecue, even if grill was dealer assembled. Do not try to light this barbecue without reading the Lighting Instructions section of this manual.

⚠ DANGER

1. If you smell gas:
 - a. Shut off gas to the appliance.
 - b. Extinguish any open flame.
 - c. Open lid.
 - d. If odour continues, keep away from the appliance and immediately call your gas supplier or your fire department.
 2. Requires two people to complete the assembly process.
 3. Beware of sharp edges.
-

⚠ WARNING

1. Do not store or use gasoline or other flammable liquids or vapours in the vicinity of this or any other appliance.
 2. An LP cylinder not connected for use must not be stored in the vicinity of this or any other appliance.
-

⚠ WARNING

IN DIRECT SUNLIGHT, AND IN OPERATION, YOUR BARBECUE'S STAINLESS STEEL AND PAINTED STEEL PARTS CAN BECOME VERY HOT.

THIS BARBECUE IS FOR OUTDOOR USE ONLY.

CONTACT CALL CENTRE IF ANY PARTS ARE MISSING.

1-855-453-2150











HARDWARE PACK

TOOLS NEEDED FOR ASSEMBLY

- #2 Star-head screwdriver (long and short)
- ¼" Slotted screwdriver (long and short)
- Adjustable wrench
- Pliers

KEY #	DESCRIPTION	PART NUMBER	QUANTITY
1	1/4"X18 Screw Assembly	G560-3900-9091	2
2	φ6.5 Washer	G466-0042-9000	6
3	1/4"-20UNCx13 Screw	20120-13013-036	36
4	NO.10-24UNCx13 Screw	20124-10013-036	6
5	ST4.2x8 Tapping Screw	24200-42008-136	8
6	NO.10-24UNC x18 Screw	20124-10018-036	2
7	NO.10-24UNC Nut	31224-10000-036	2
8	Axle Spacer	G305-0024-9088	2
9	Hitch Pin	G306-0005-9088	2
10	φ8 Washer	40300-08000-036	2

⚠ Caution:
Sheet metal can cause injury. Wear gloves when installing the grill.

<p>1</p>  <p>1/4"X18 Screw Assembly X 2</p>	<p>2</p>  <p>φ6.5 Washer X 6</p>	<p>3</p>  <p>1/4"-20UNCx13 Screw X 36</p>
<p>4</p>  <p>NO.10-24UNCx13 Screw X 6</p>	<p>5</p>  <p>ST4.2x8 Tapping Screw X 8</p>	<p>6</p>  <p>NO.10-24UNC x18 Screw X 2</p>
<p>7</p>  <p>NO.10-24UNC Nut X 2</p>	<p>8</p>  <p>Axle Spacer X 2</p>	<p>9</p>  <p>Hitch Pin X 2</p>
<p>10</p>  <p>φ8 Washer X 2</p>		

BEFORE ASSEMBLING THIS BARBECUE, READ THE INSTRUCTIONS CAREFULLY.

Assemble the barbecue on a flat, clean surface. The grill is heavy, two people are recommended to complete assembly.

PARTS LIST (PROPANE) FOR 085-3177-0 / G42601

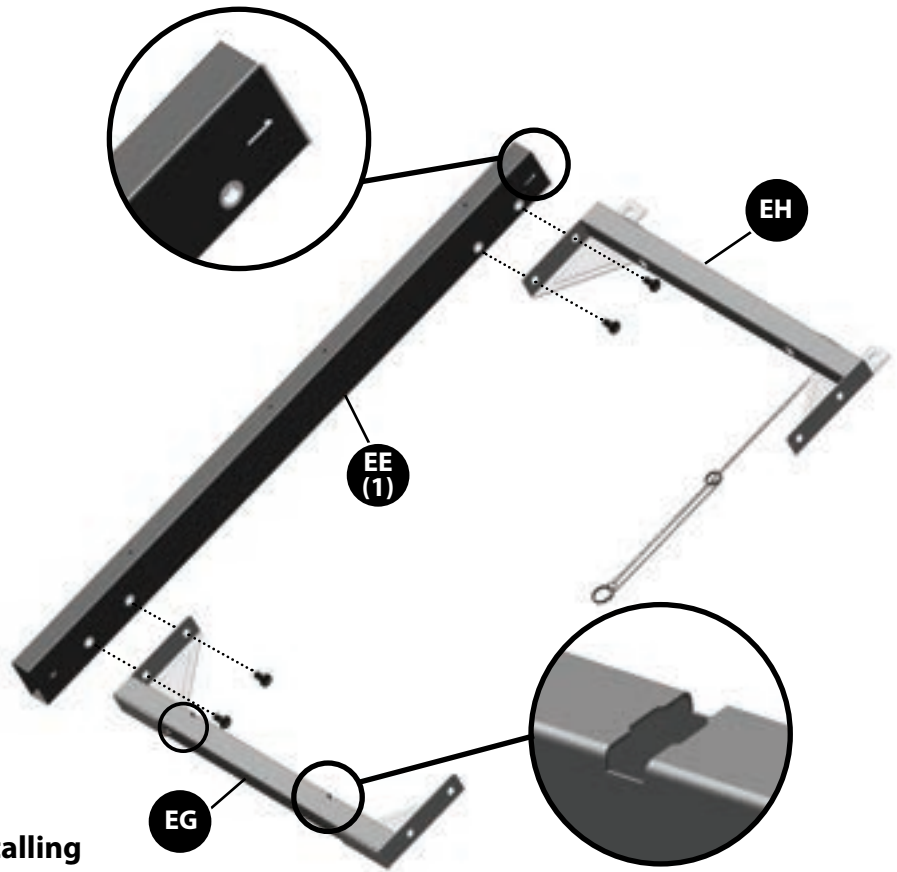
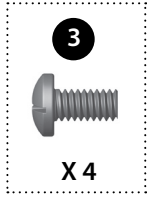
KEY #	QUANTITY	DESCRIPTION	PART NO.
AA	1	Top lid assembly	G426-5000-01
AB	1	Thermometer	G425-5004-01
AC	1	Thermometer bezel	G425-5005-01
AD	1	Top lid handle	G425-5001-01
AE	2	Top lid handle bezel	C404-2002-01
AF	4	Lid bumpers	G527-0002-01
AG	2	Top lid screws	G425-0006-01
BA	1	Burner box assembly	G426-0200-01
BB	5	Main burner	G425-5400-01
BC	1	Electrode set, main burner	G425-5501-01
BD	4	Carryover assembly	G426-0003-01
BE	5	Flame tamer	G425-0004-01
BF	3	Cooking grate	G426-0001-01
BG	1	Warming rack	G426-0002-01
BH	1	Heat shield	G426-5502-01
BI	1	Grease cup	G430-0033-02
BJ	1	Grease cup hook	G305-0043-01
CA	1	Control panel	G426-0300-01
CB	5	Control knob	G425-0003-01
CC	1	Ignitor	G451-000D-01
CD	1	Manifold assembly	G426-5400-02
CE	1	Regulator	G425-5702-01
DA	1	Side shelf table, right	G425-0600-01
DB	1	Side shelf fascia, right	G425-0700-01
DC	1	Side shelf support brace, right	G425-5201-01
DD	1	Side shelf table, left	G425-0800-01
DE	1	Side shelf fascia, left	G425-0900-01
DF	1	Side shelf support brace, left	G425-5301-01
EA	1	Front cart leg with end cap, right ----- 3	G425-5603-01
EB	1	Rear cart leg with end cap, right -----4	G425-5604-01
EC	1	Lower brace, right	G451-1Y00-01
ED	1	Tank exclusion wire, right	G425-5609-01
EE	1	Front cart leg with end cap, left -----1	G425-5601-01
EF	1	Rear cart leg with end cap, left -----2	G425-5602-01
EG	1	Lower brace, left	G451-1X00-01
EH	2	Upper brace	G451-1W00-01
EI	1	Match holder	G401-0079-01
EJ	1	Gas tank support	G307-0016-01
EK	2	Back brace	G432-L600-01
EL	2	Front panel	G426-5501-01
EM	2	Tank exclusion wire, rear	G425-5608-01
FA	2	Wheel	G437-0037-01
FB	2	Wheel axle	G425-5606-01
FC	2	Feet	G470-4K01-01
G1	1	Hardware pack	G425-B001-01
G2	1	Assembly instructions	G426-M001-01
G3	1	Safe use and care manual	G425-M001-02

ASSEMBLY INSTRUCTIONS

1

A

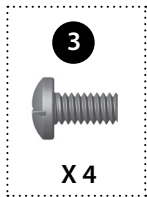
YOU WILL NEED:



ATTENTION:
Part EG is used for installing
the propane tank in step 19.

B

YOU WILL NEED:

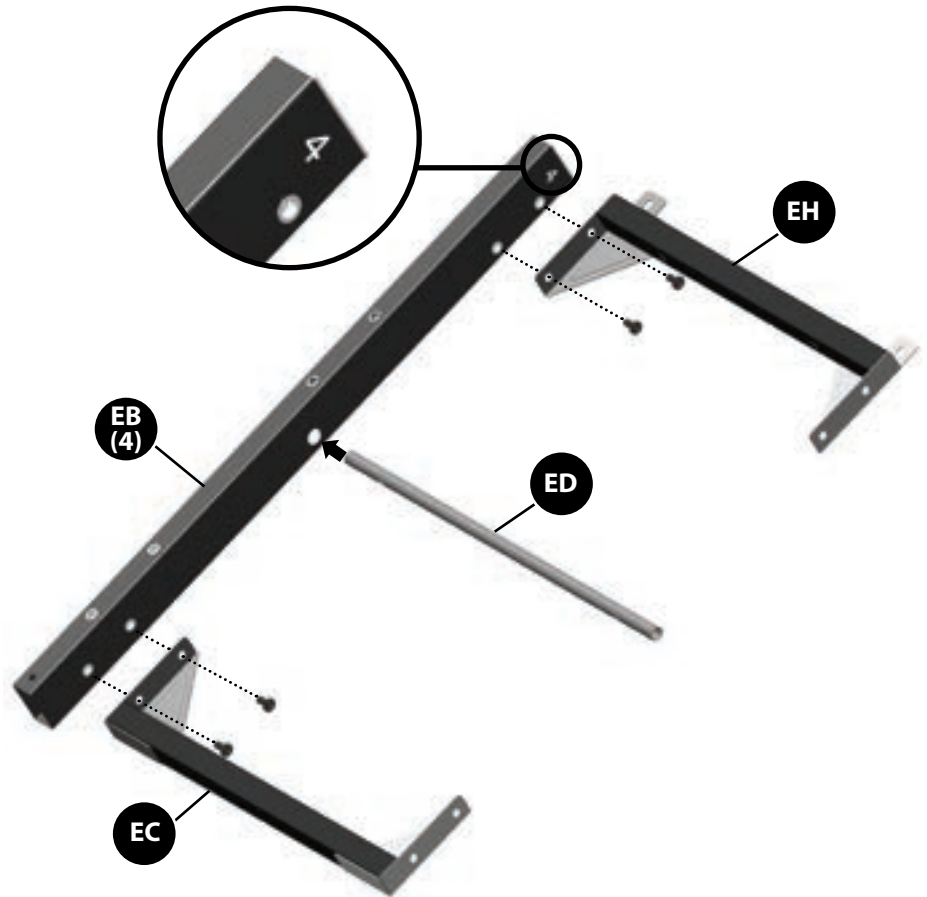
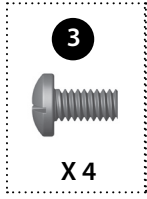


ASSEMBLY INSTRUCTIONS

2

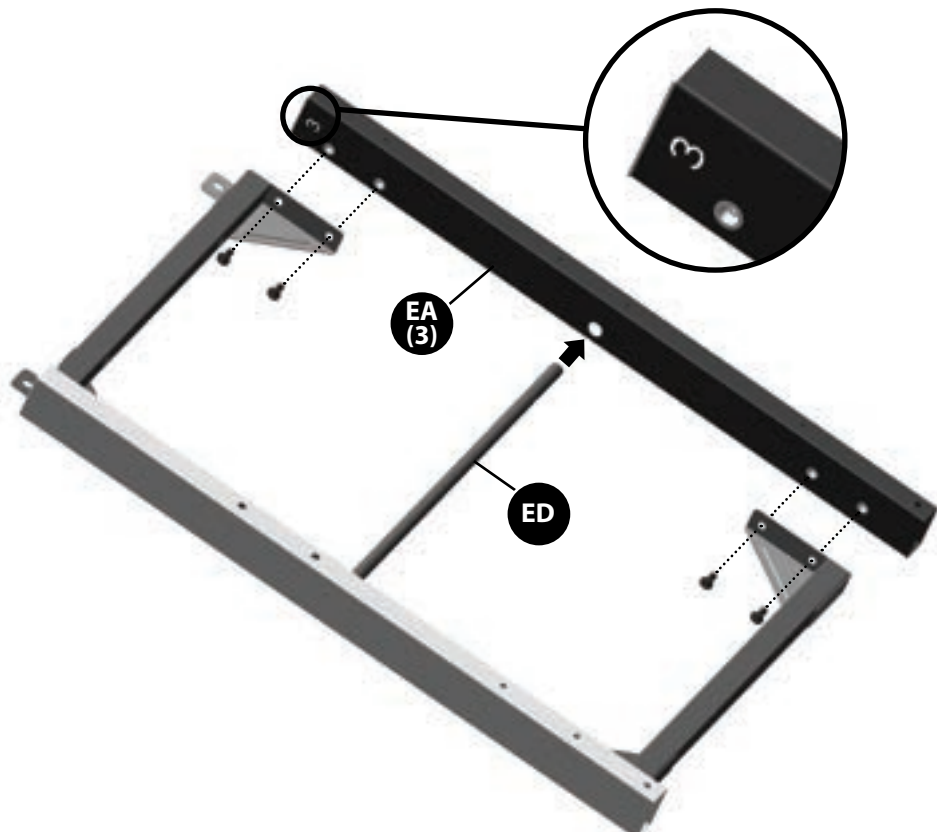
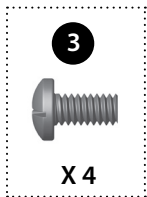
A

YOU WILL NEED:



B

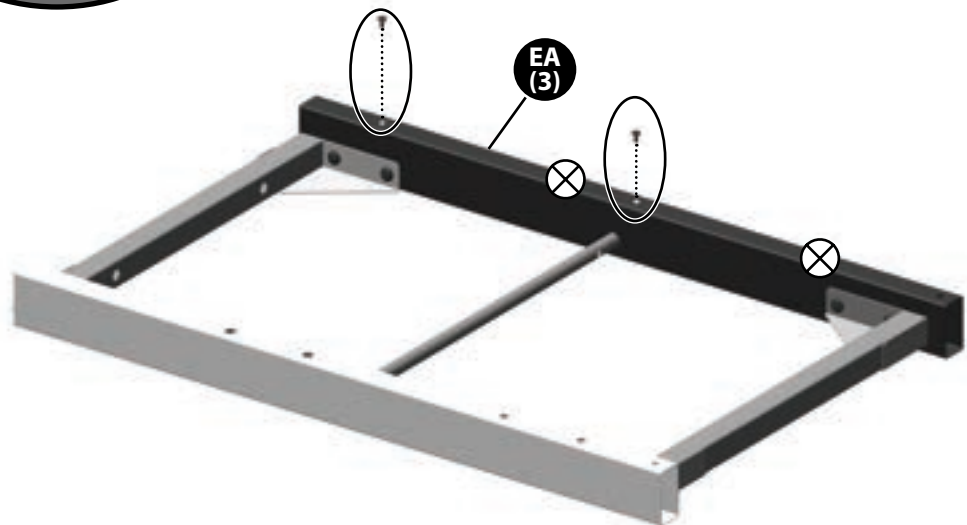
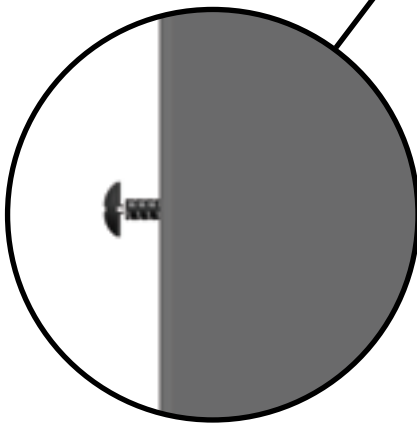
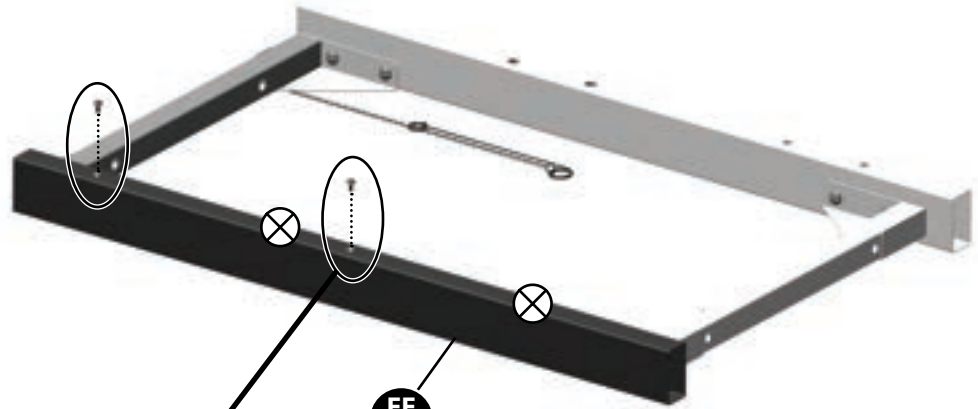
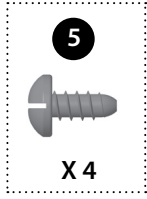
YOU WILL NEED:



ASSEMBLY INSTRUCTIONS

3

YOU WILL NEED:

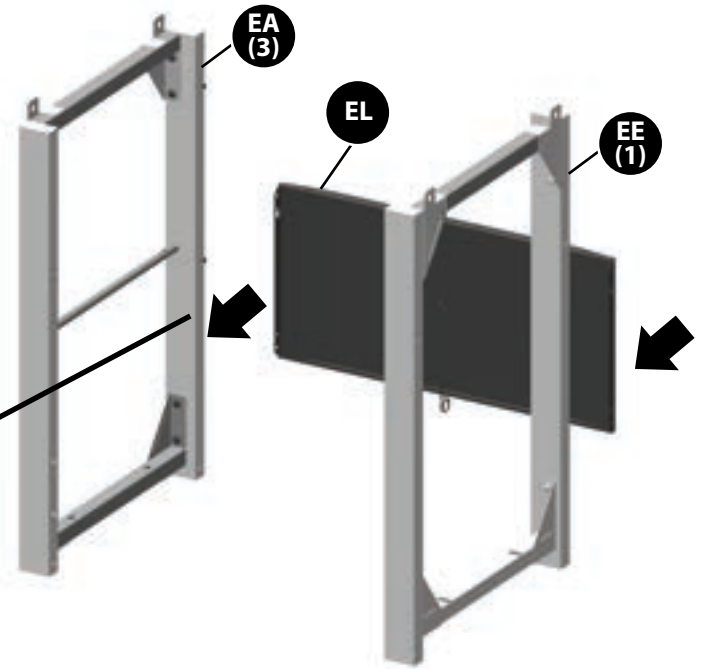
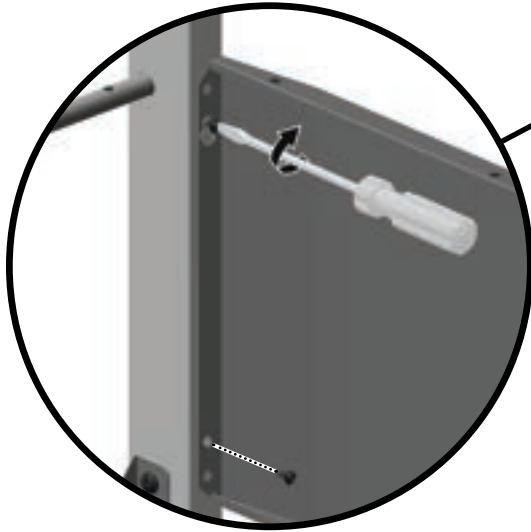
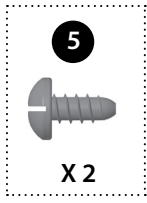


ASSEMBLY INSTRUCTIONS

4

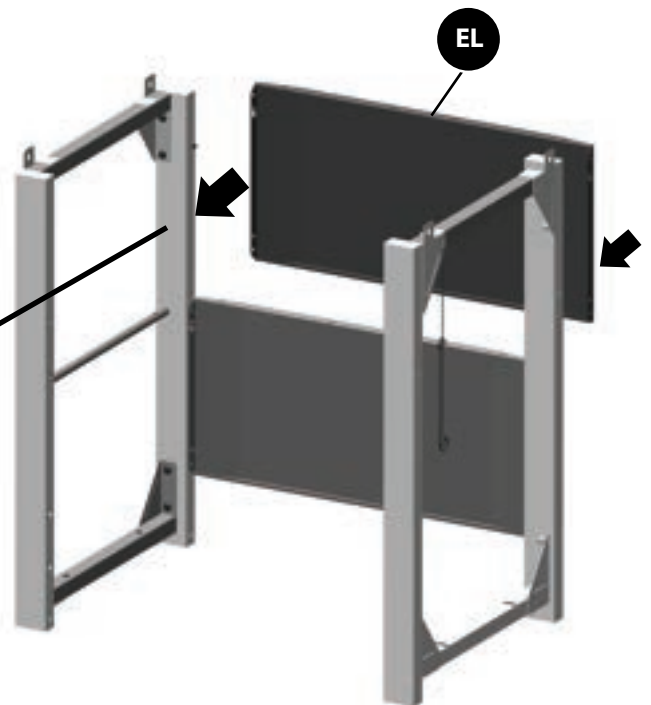
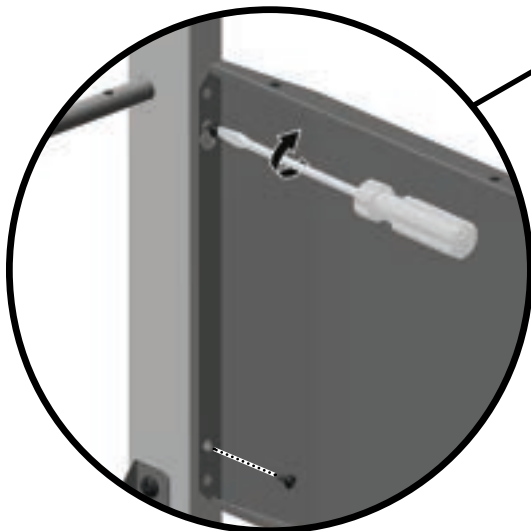
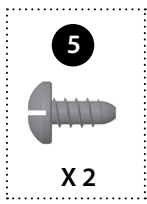
A

YOU WILL NEED:



B

YOU WILL NEED:

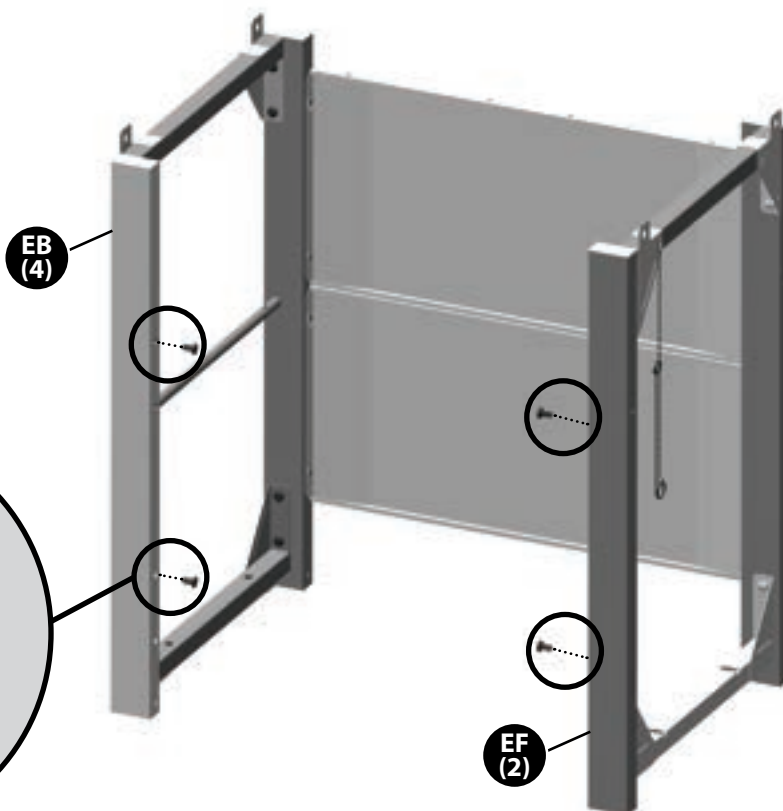
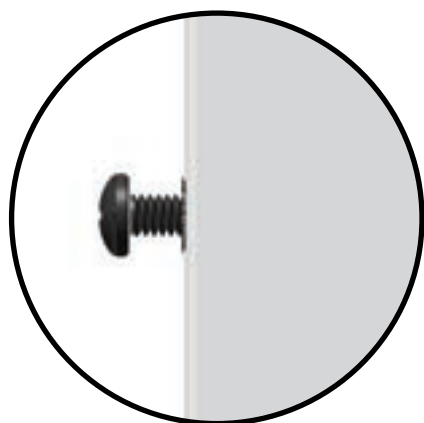
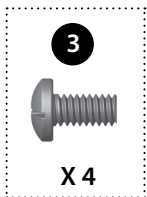


ASSEMBLY INSTRUCTIONS

5

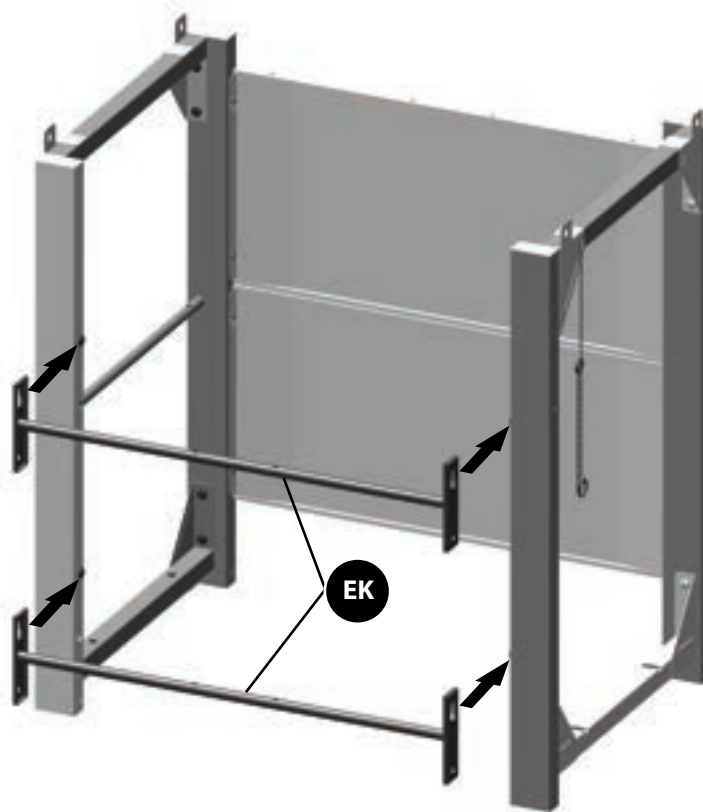
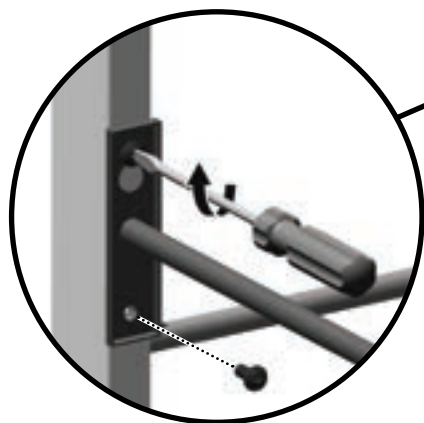
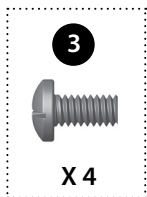
A

YOU WILL NEED:



B

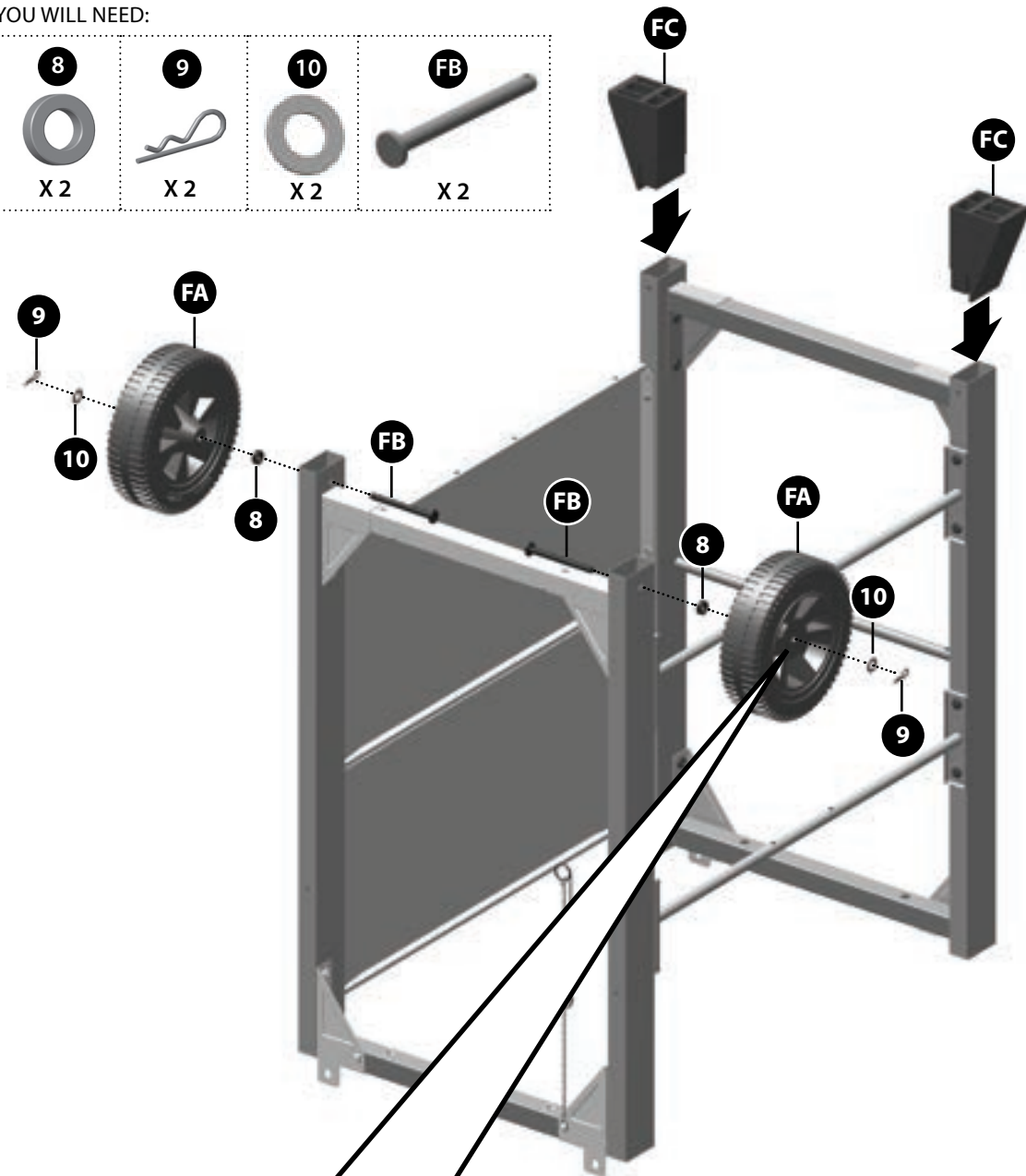
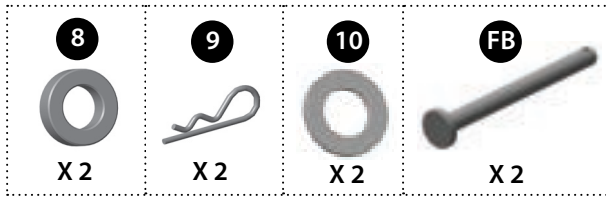
YOU WILL NEED:



ASSEMBLY INSTRUCTIONS

6

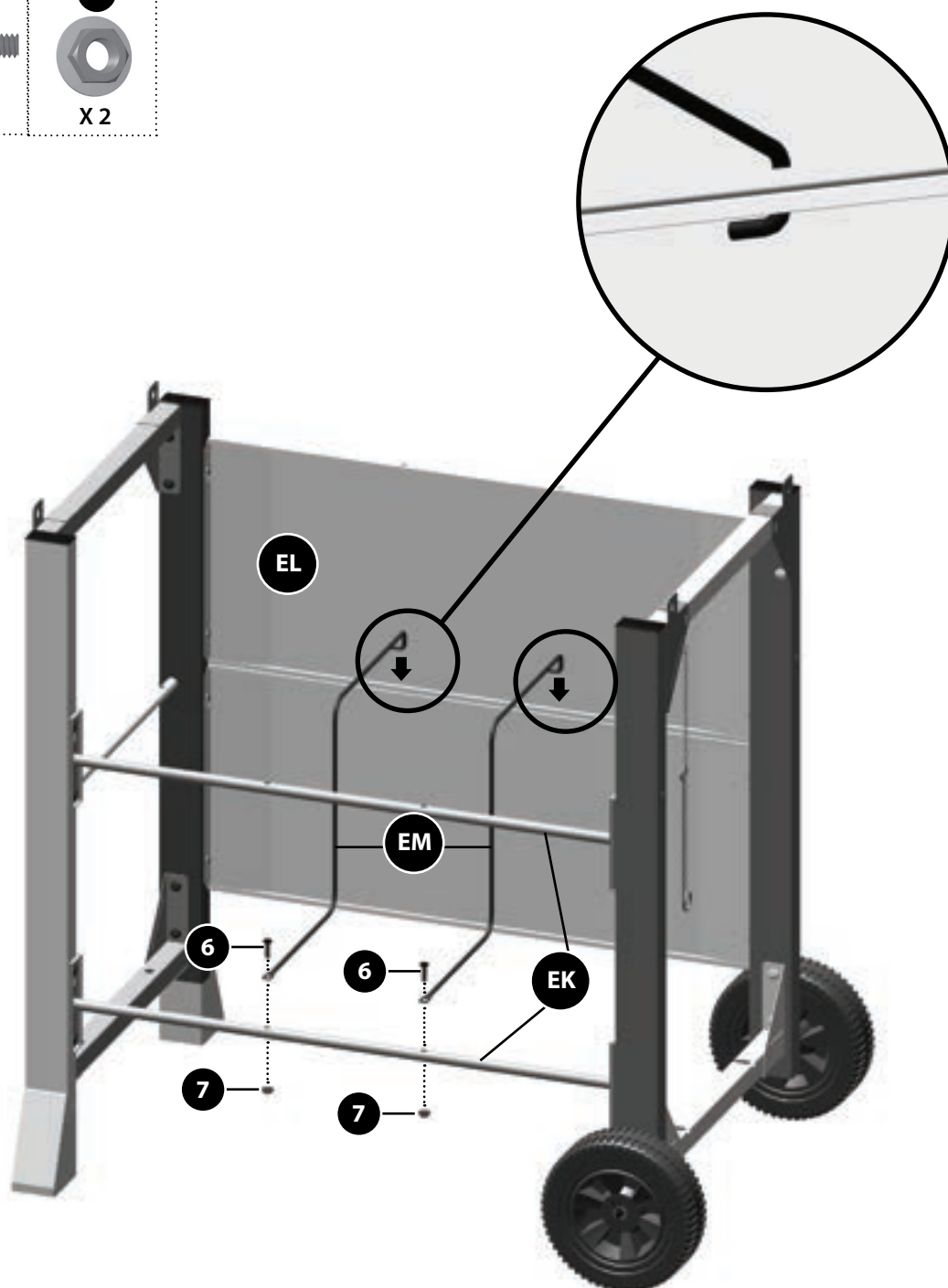
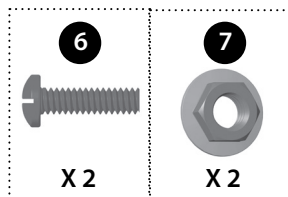
YOU WILL NEED:



ASSEMBLY INSTRUCTIONS

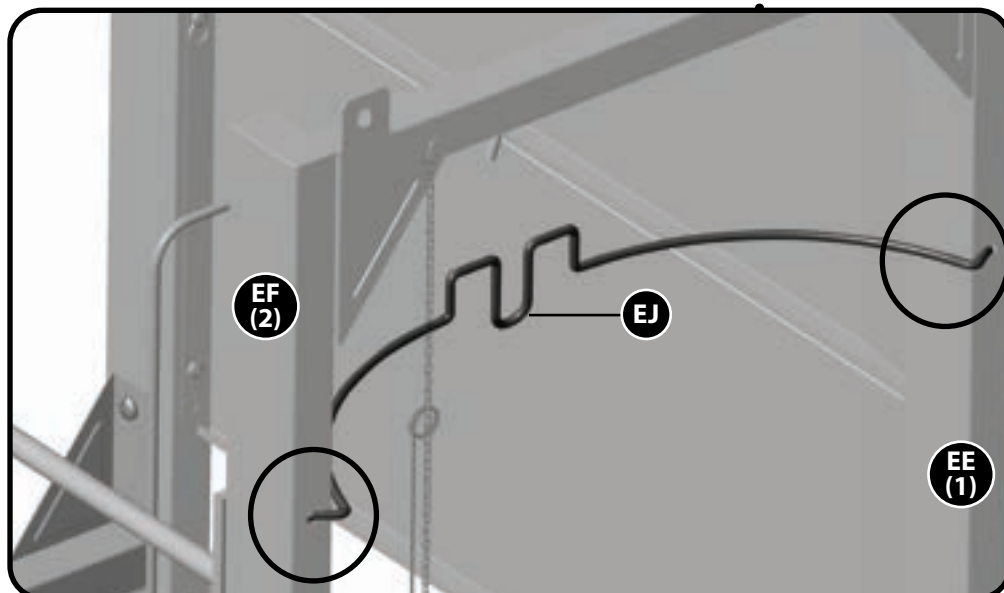
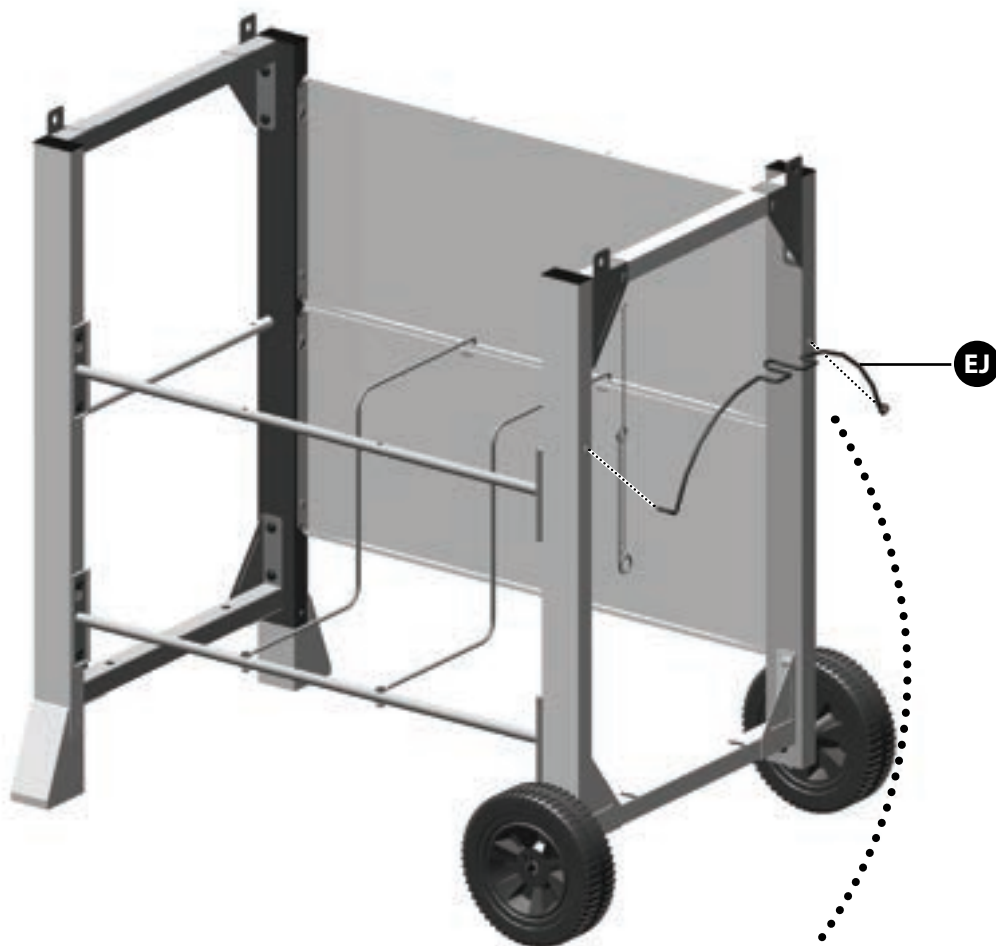
7

YOU WILL NEED:



ASSEMBLY INSTRUCTIONS

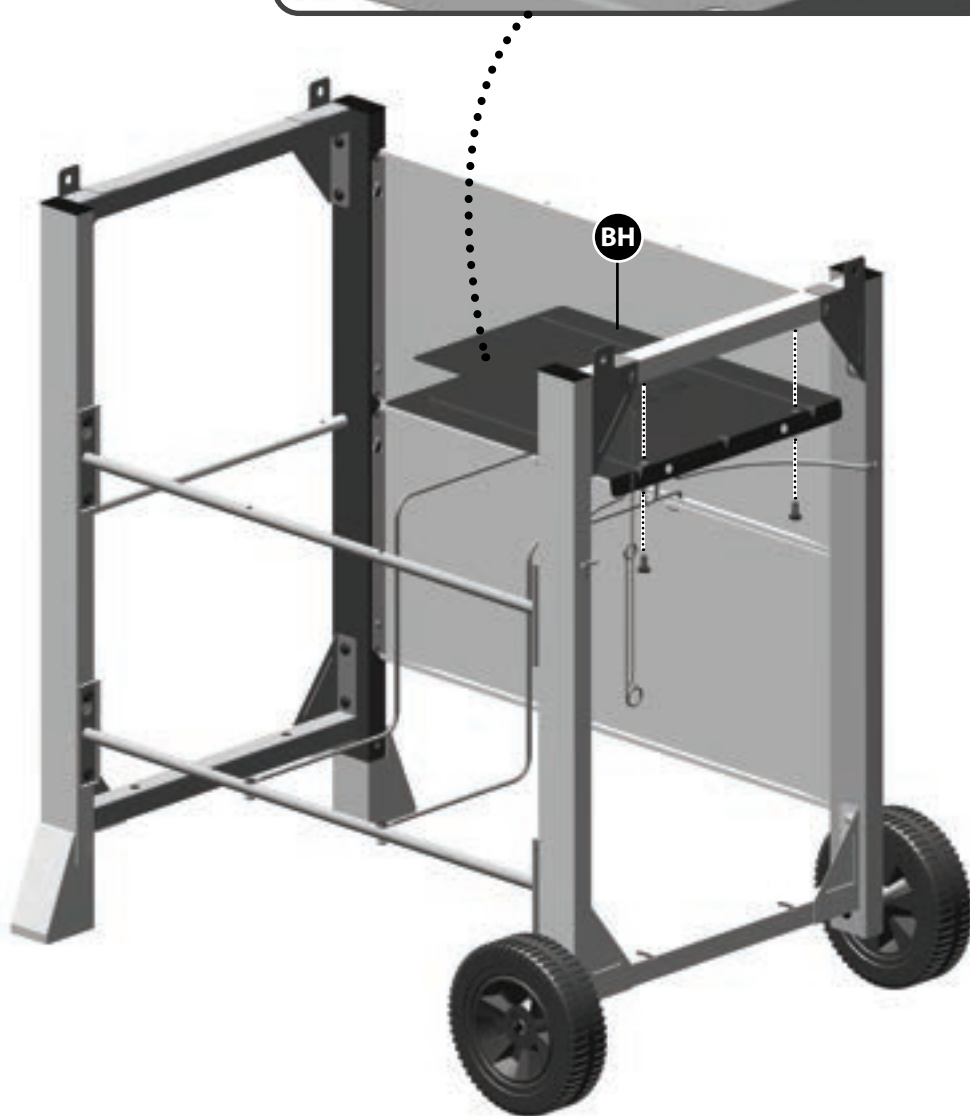
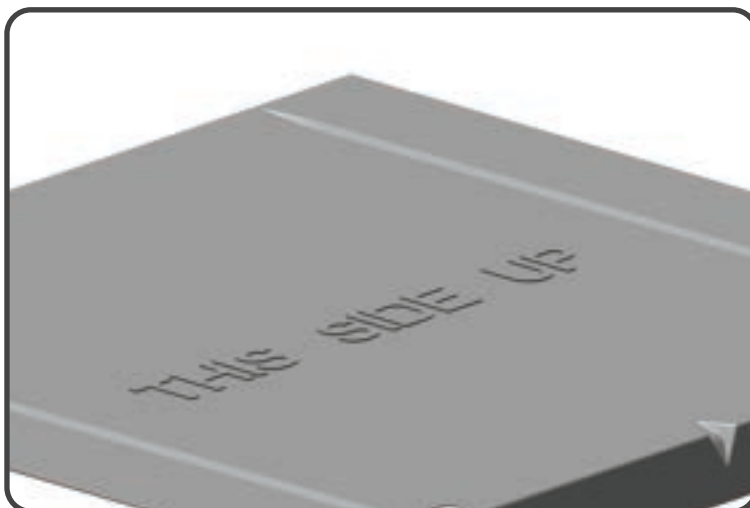
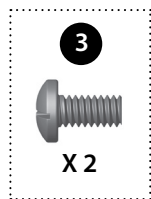
8



ASSEMBLY INSTRUCTIONS

9

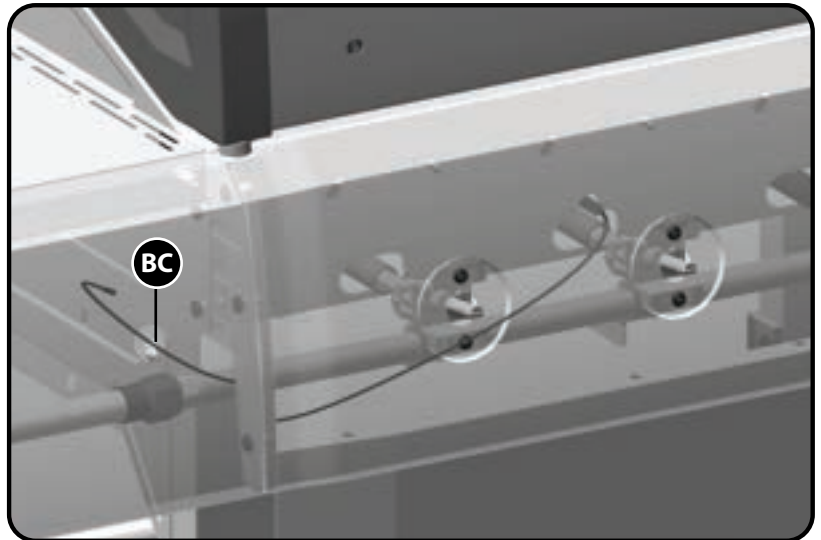
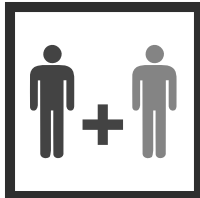
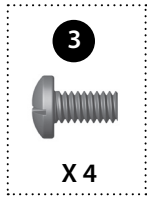
YOU WILL NEED:



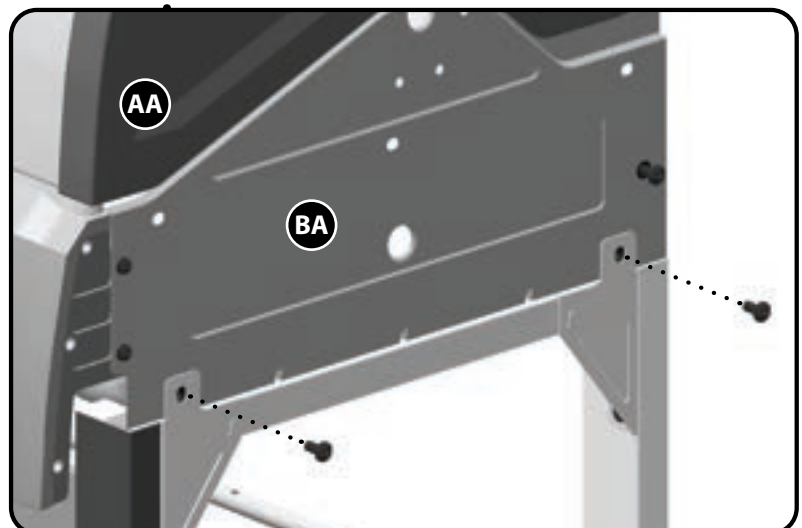
ASSEMBLY INSTRUCTIONS

10

YOU WILL NEED:



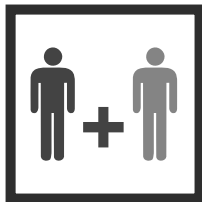
Attention: Feed the electrode set (BC) attached to the main burner, through the hole on the left side of the burner box.



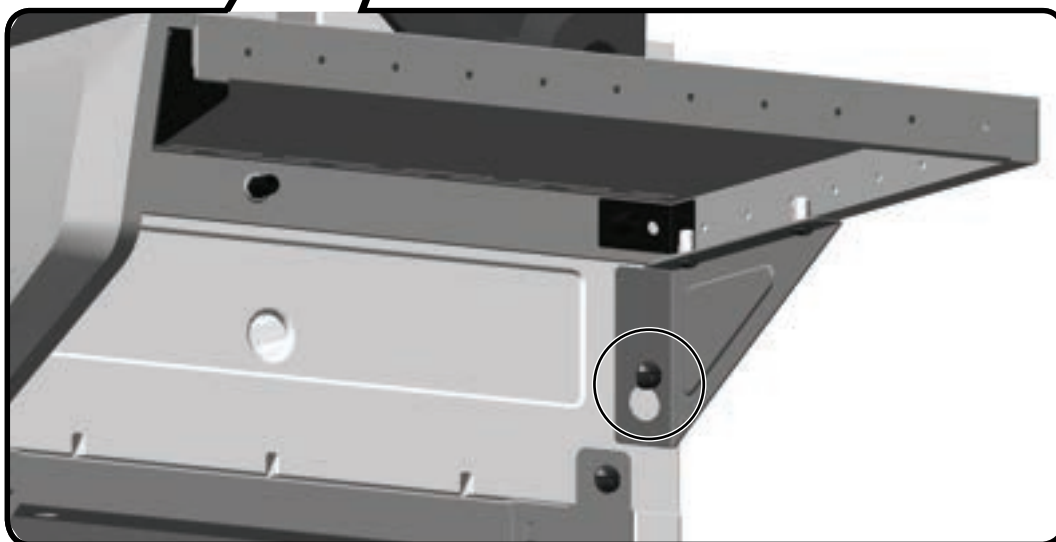
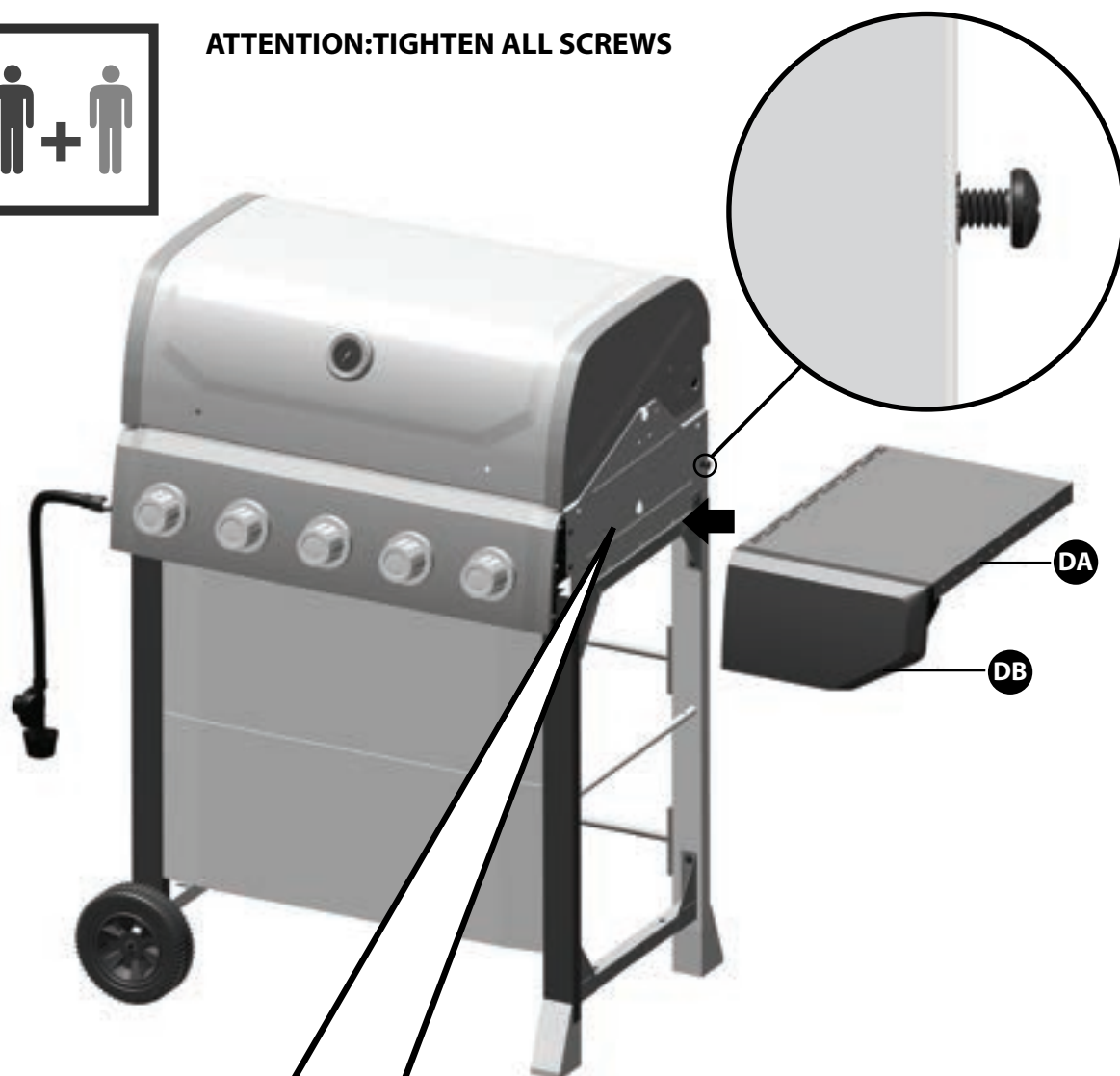
ASSEMBLY INSTRUCTIONS

11

A



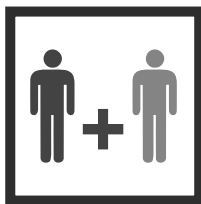
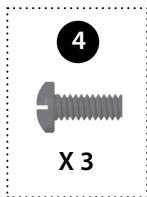
ATTENTION:TIGHTEN ALL SCREWS



11

B

YOU WILL NEED:

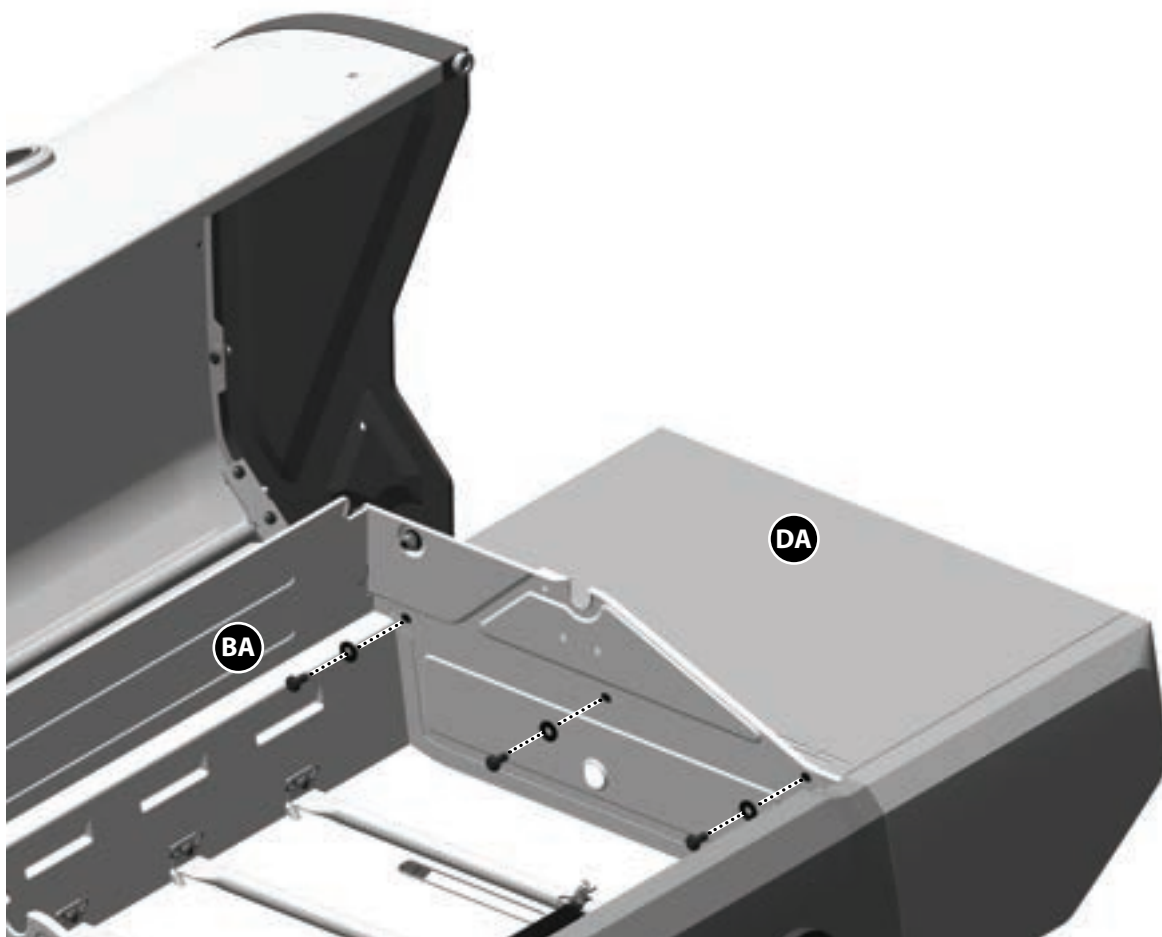
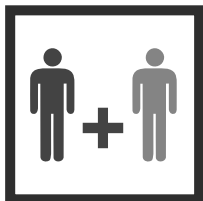
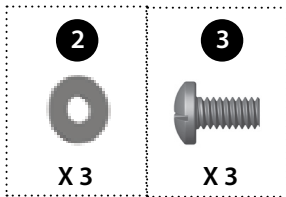


ASSEMBLY INSTRUCTIONS

11

C

YOU WILL NEED:

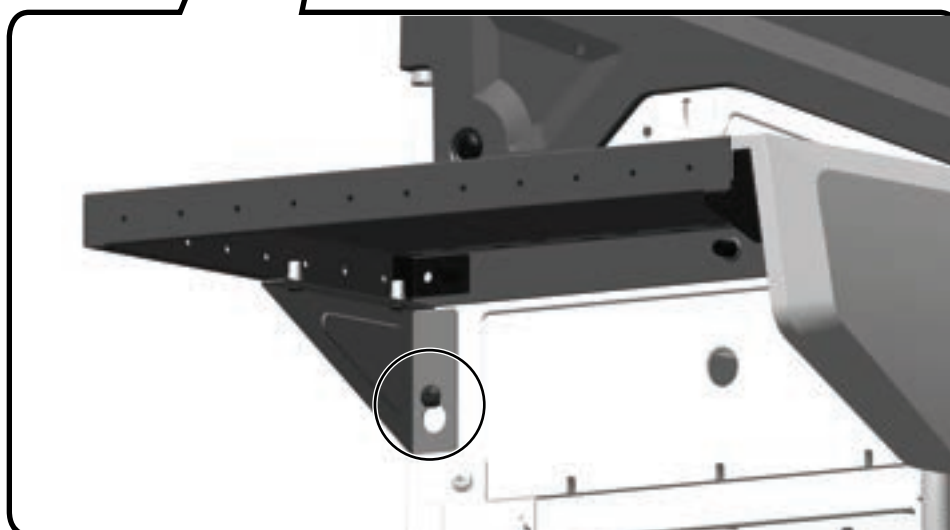
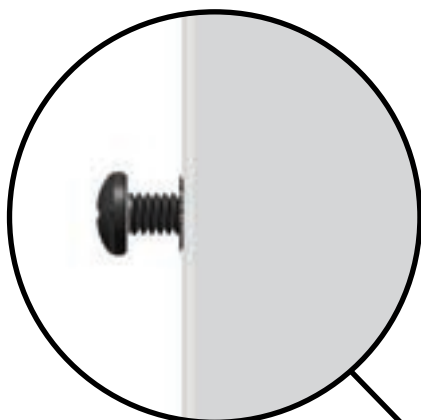
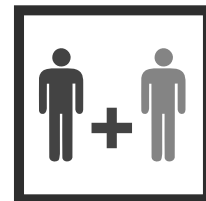


ASSEMBLY INSTRUCTIONS

12

A

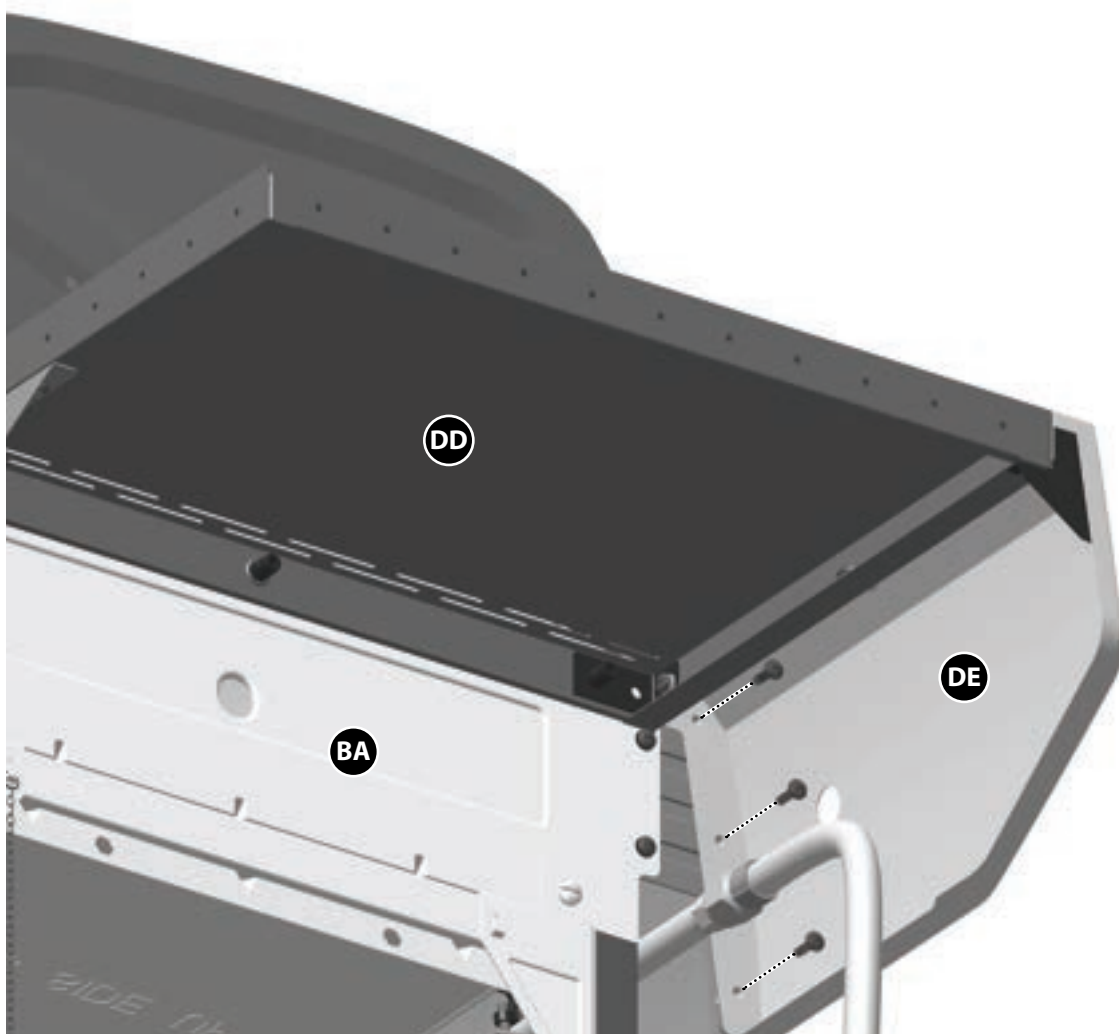
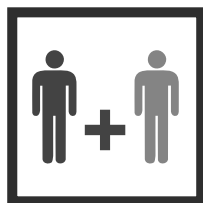
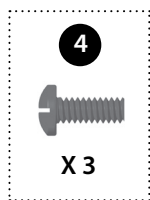
ATTENTION:TIGHTEN ALL SCREWS



12

B

YOU WILL NEED:

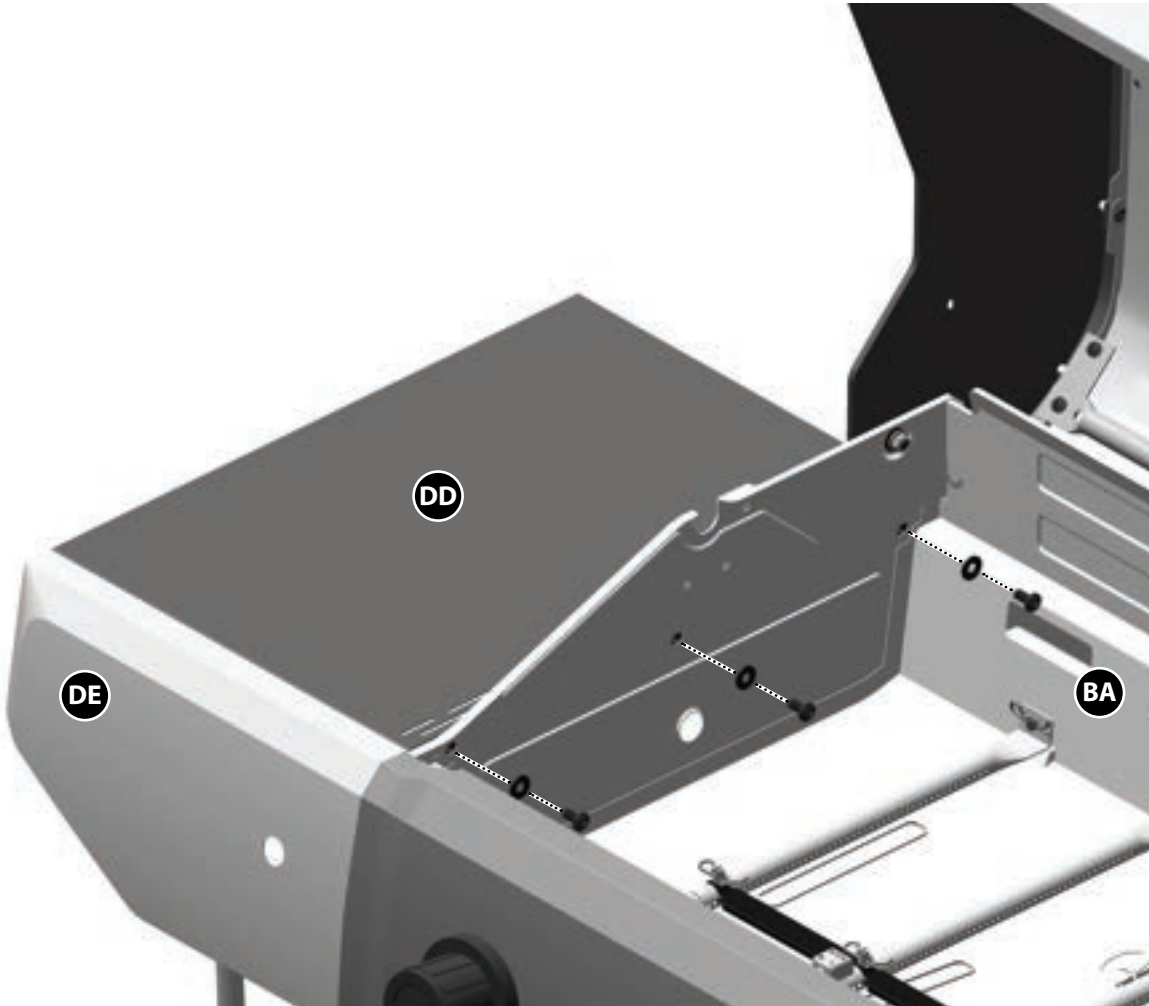
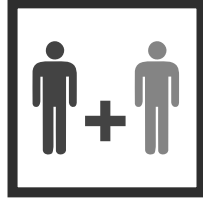
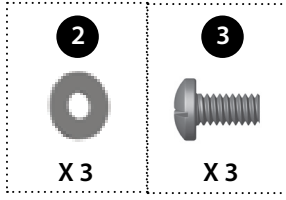


ASSEMBLY INSTRUCTIONS

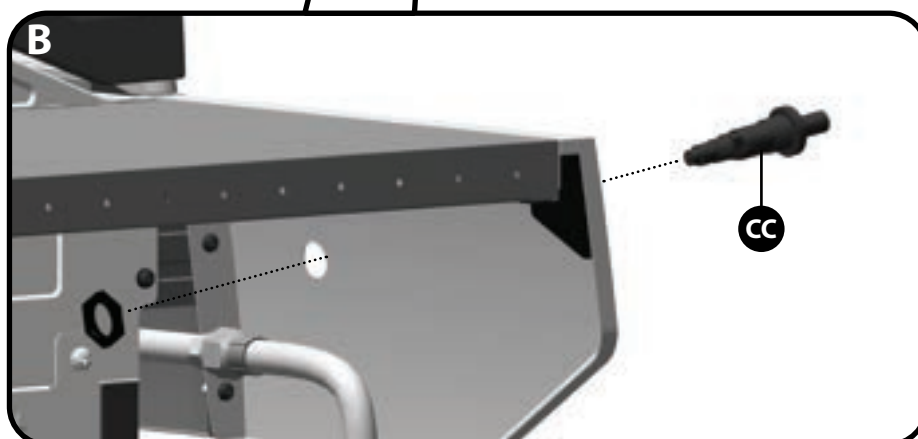
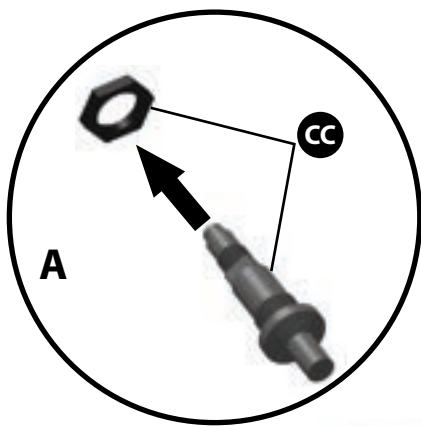
12

C

YOU WILL NEED:

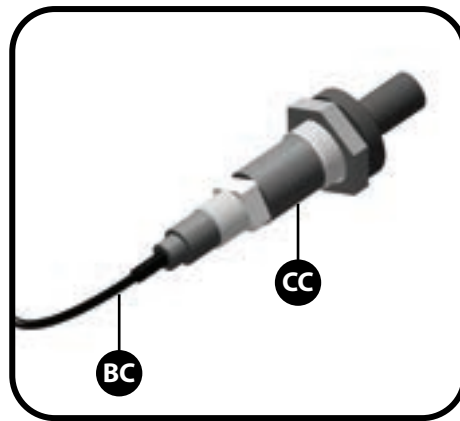
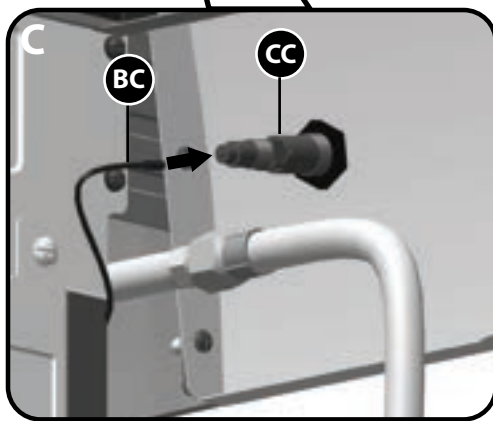
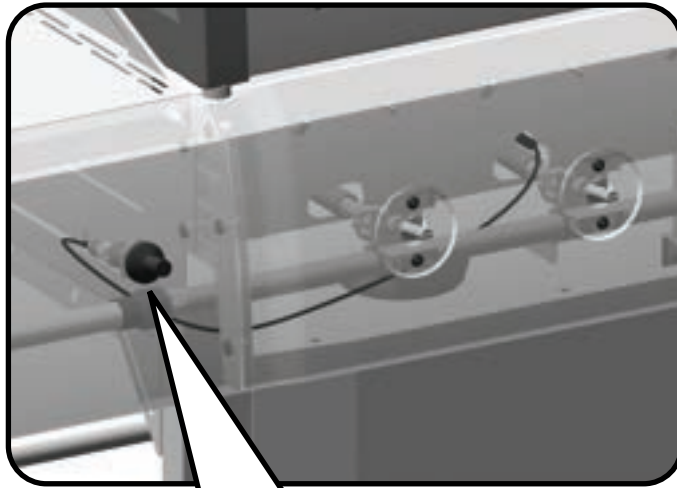


13



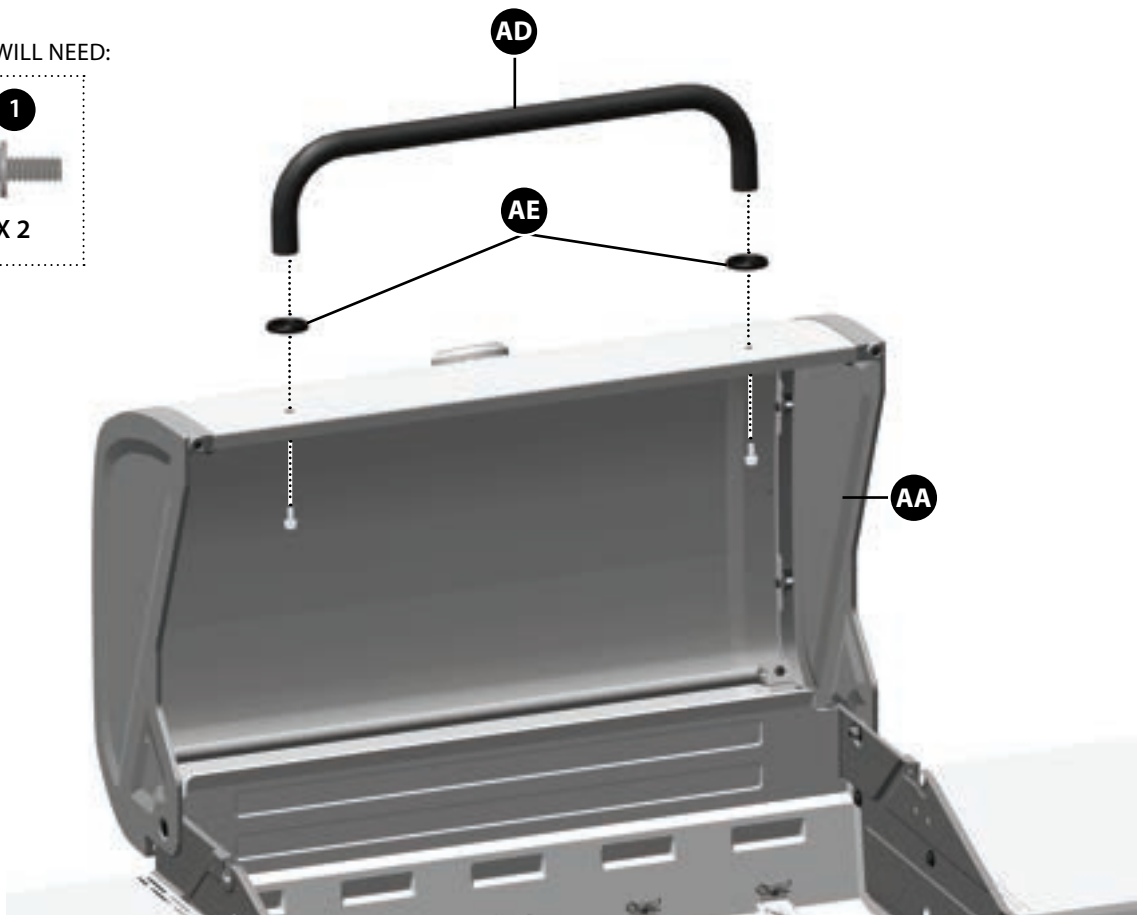
ASSEMBLY INSTRUCTIONS

13

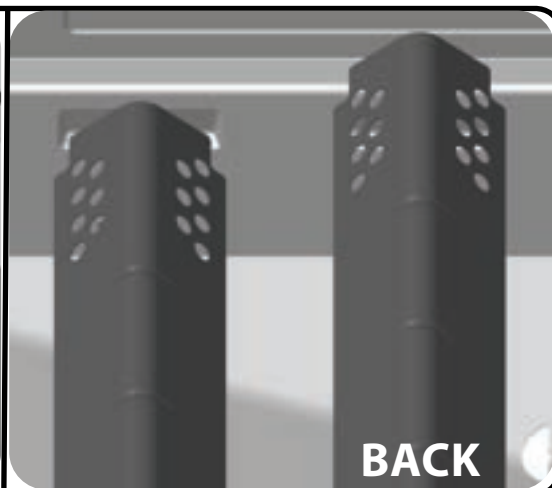
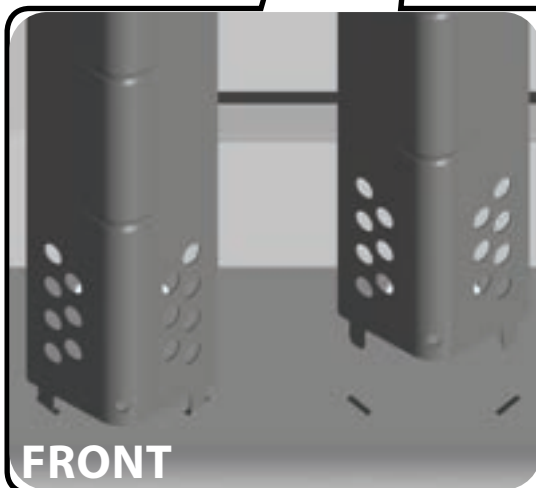


14

YOU WILL NEED:



15



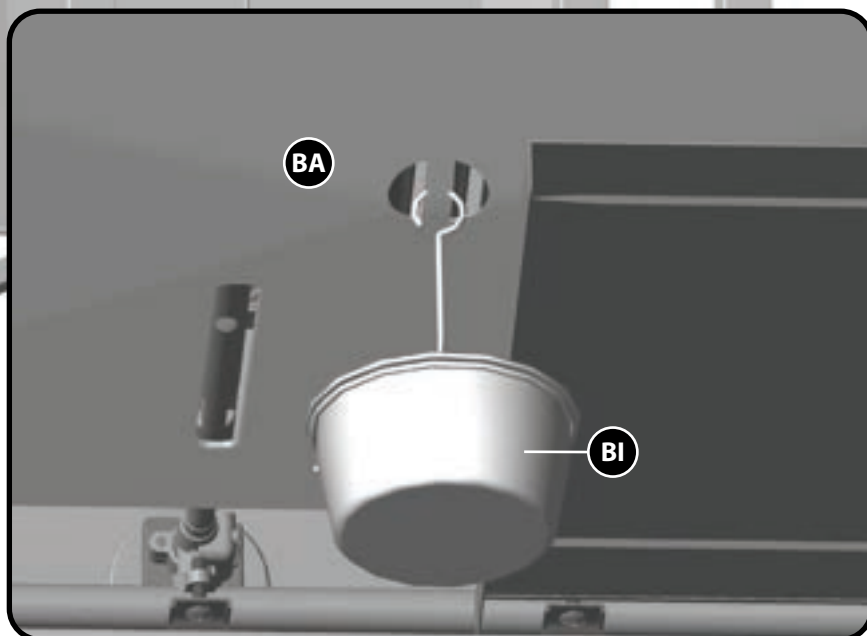
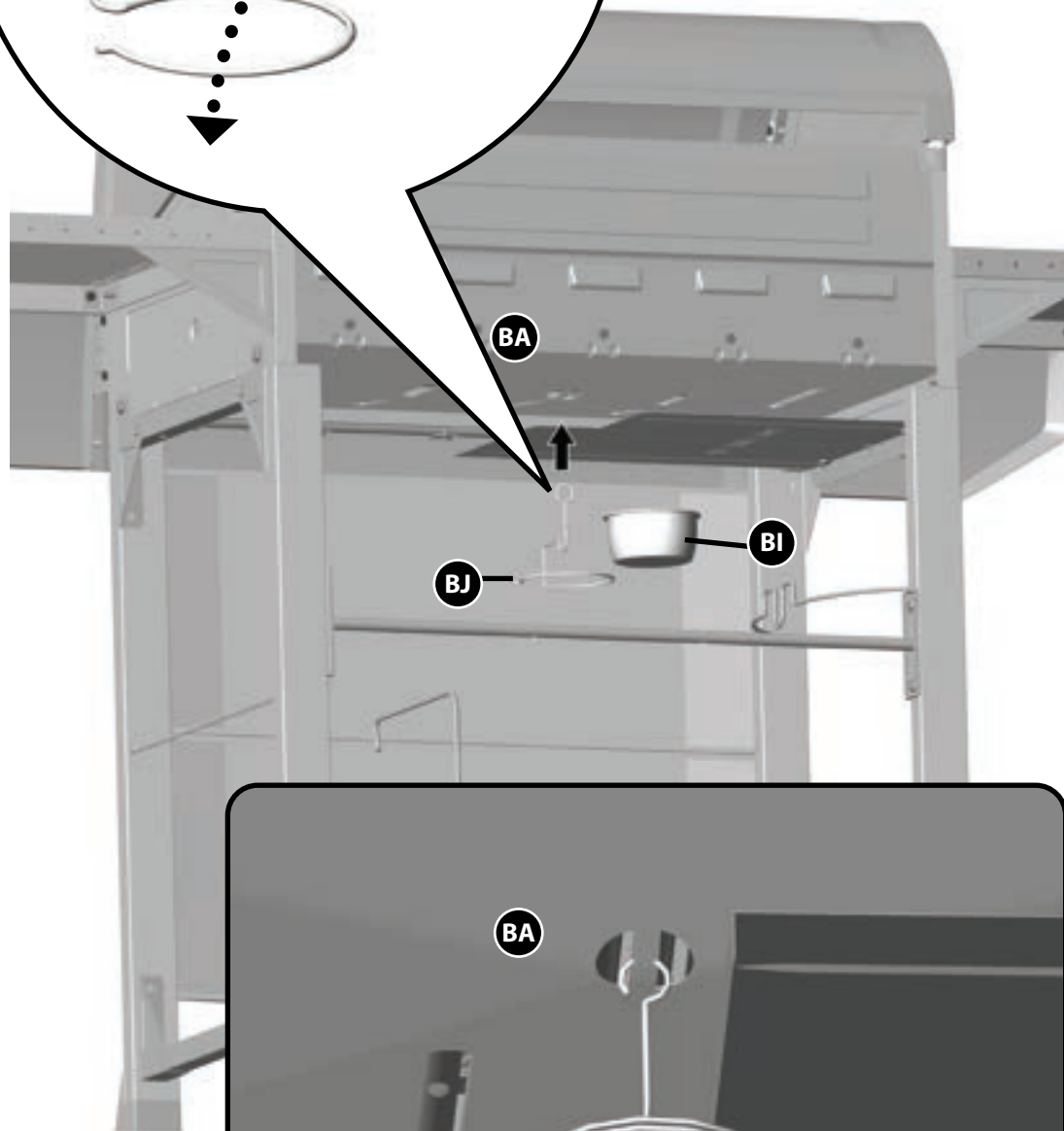
16



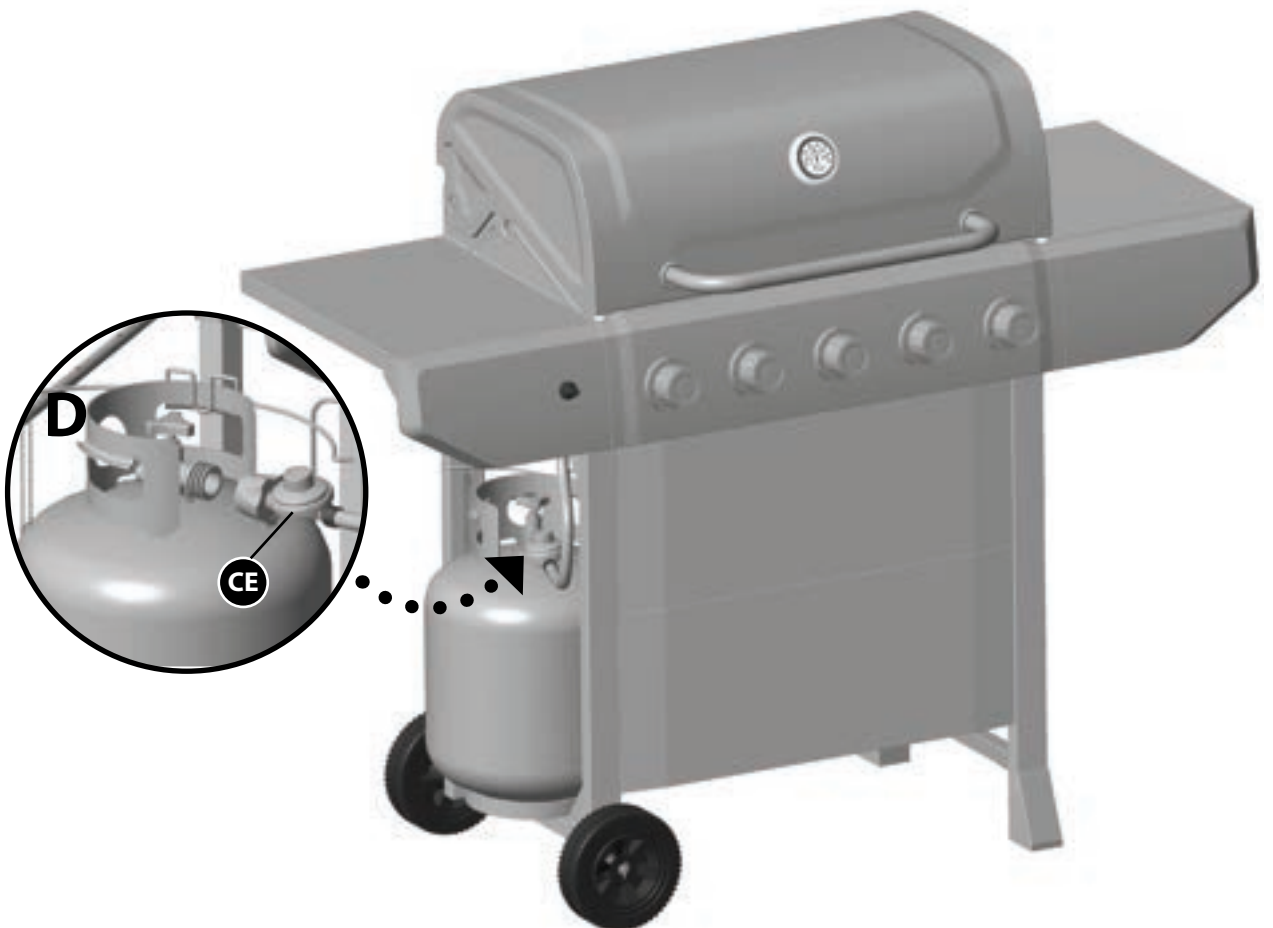
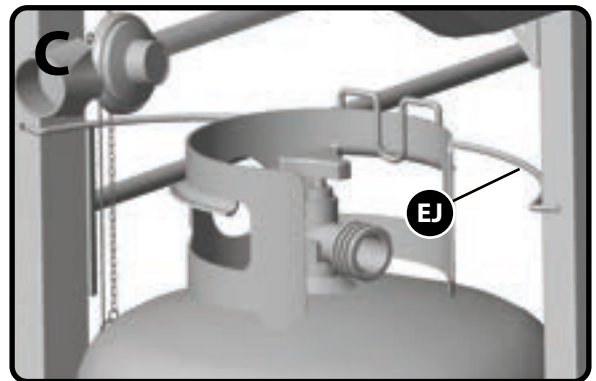
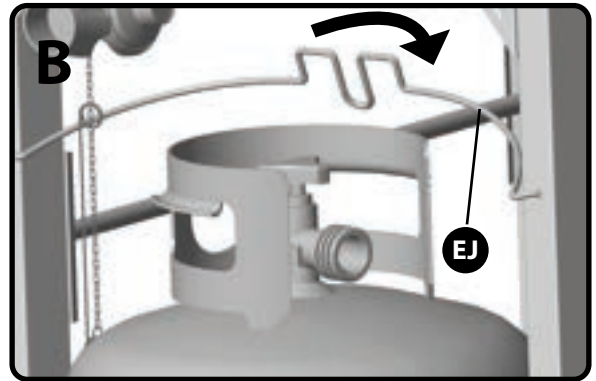
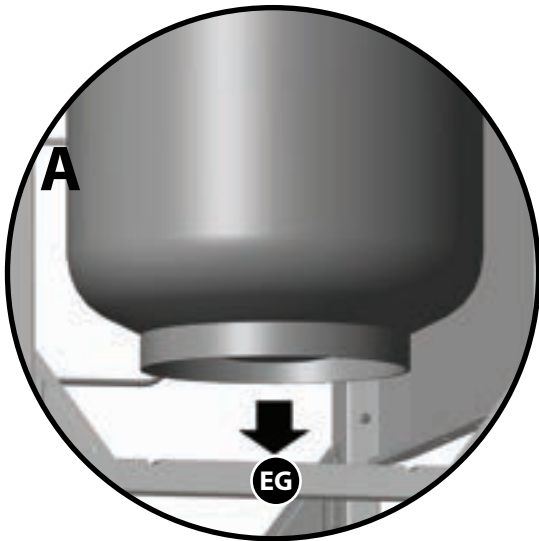
17



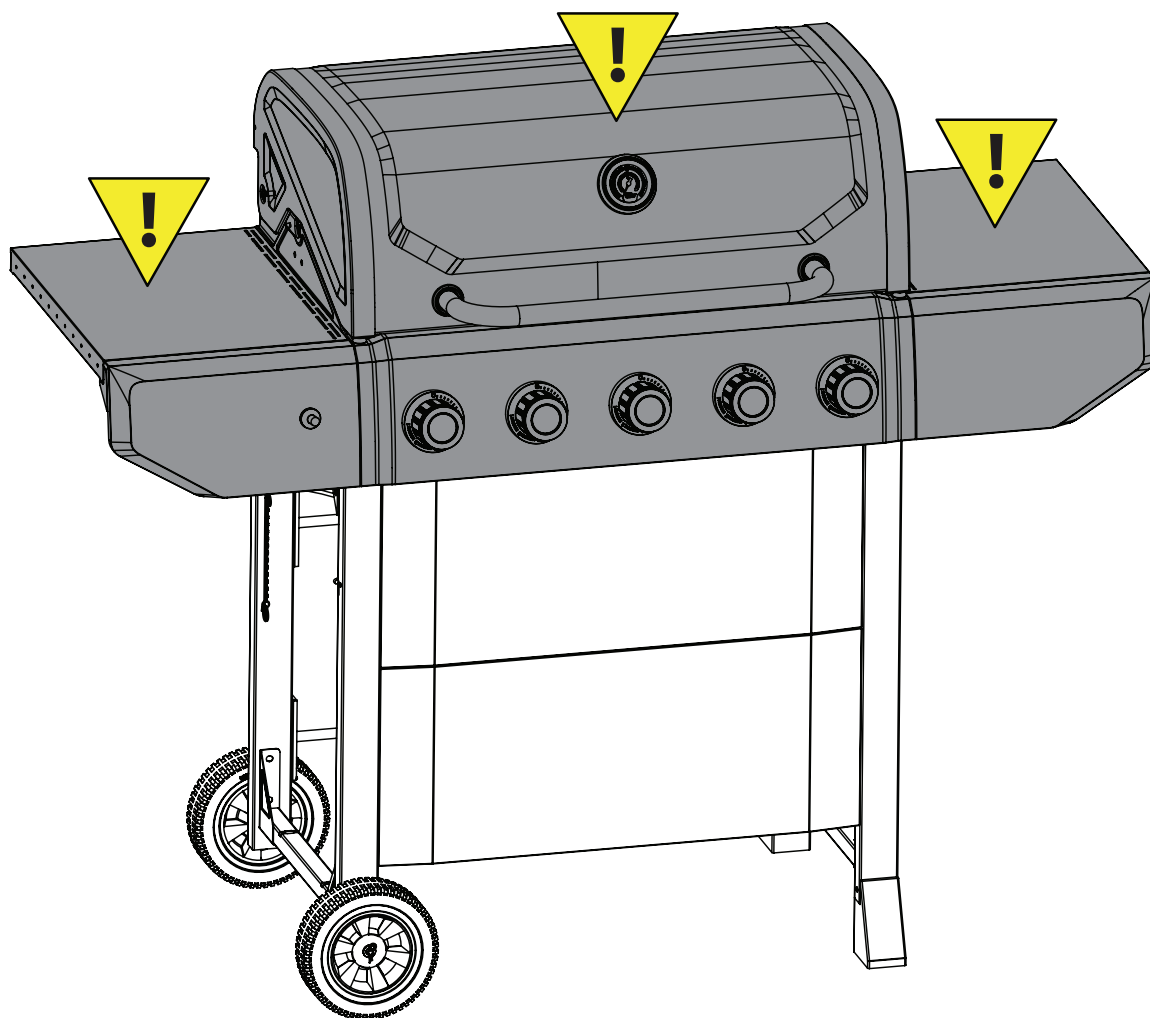
18



19



! WARNING: HOT SURFACES



CAUTION:

- **AVOID BURNS.**
- **DO NOT TOUCH WHEN BARBECUE IS IN USE.**
- **EXTREMELY HOT SURFACE.**
- * ***SHADED AREAS BECOME EXTREMELY HOT WHEN IN USE.***

MASTER
Chef^{TM/MC}

Visit **www.masterchefbbqs.com**
to complete product registration.

Master Chef® Customer Service
1-855-453-2150

Trileaf Distributions Trifeuil
Toronto, Ontario M4S 2B8