

MASTER
Chef^{TM/MC}



ELITE 2-BURNER PROPANE BARBECUE

Assembly Manual

85-3136-8 (G36401) Propane
1 YEAR LIMITED WARRANTY

READ AND SAVE MANUAL FOR FUTURE REFERENCE.

Assemble your grill immediately.

Missing or damaged parts claims must be submitted within 30 days of purchase date.

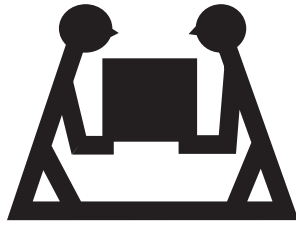
**For product inquiries, parts, warranty and troubleshooting support,
please call 1-855-453-2150.**



ANSI Z21.58-2015 / CSA 1.6-2015
Outdoor Cooking Gas Appliances



ANSI Z21.58-2015 / CSA 1.6-2015
Outdoor Cooking Gas Appliances



HEAVY ARTICLE NEEDS 2 TO LIFT

THIS MANUAL MUST REMAIN WITH THE PRODUCT AT ALL TIMES

To ORDER non-warranty replacement parts or accessories, or to register your warranty, please visit us on the web at

www.masterchefbbqs.com

⚠ CAUTION

Sharp edges. Wear gloves when assembling your grill.

⚠ CAUTION

Read and follow all safety statements, assembly instructions, use and care directions before attempting to assemble and cook.

⚠ INSTALLER OR ASSEMBLER/CONSUMER

This manual should be kept with the BBQ at all times.

⚠ WARNING

Failure to follow all of the Manufacturer's instructions could result in hazardous fires, explosions, property damage, or serious personal injury or even death.

Follow all leak check procedures carefully prior to operation of barbecue, even if grill was dealer assembled. Do not try to light this barbecue without reading the Lighting Instructions section of this manual.

⚠ DANGER

1. If you smell Gas:
 - a. Shut off gas to the appliance.
 - b. Extinguish any open flame.
 - c. Open lid.
 - d. If odor continues, keep away from the appliance and immediately call your gas supplier or your fire department.
 2. Requires two people to complete the assembly process.
 3. Beware of sharp edges.
-

⚠ WARNING

1. Do not store or use gasoline or other flammable liquids or vapours in the vicinity of this or any other appliance.
 2. An LP cylinder not connected for use shall not be stored in the vicinity of this or any other appliance.
-

⚠ WARNING

IN DIRECT SUN, AND IN OPERATION, YOUR BBQ'S STAINLESS STEEL AND PAINTED STEEL PARTS CAN BECOME VERY HOT.

THIS BARBECUE IS FOR OUTDOOR USE ONLY.

CONTACT CALL CENTRE IF ANY PARTS ARE MISSING.

1-855-453-2150

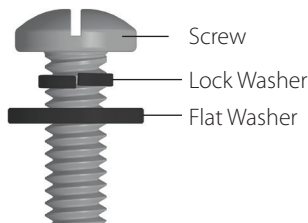
HARDWARE PACK

TOOLS NEEDED FOR ASSEMBLY

- #2 Star-head screwdriver (long and short)
- ¼" Slotted screwdriver (long and short)
- Adjustable wrench
- Pliers

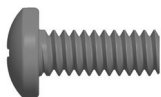
KEY #	DESCRIPTION	PART NUMBER	QUANTITY
1	1/4"-20UNCx13 Screw	20120-13013-036	24
2	1/4"-20UNC Screw	G361-0002-9091	4
3	NO.10-24UNCx10 Screw	20124-10010-036	2
4	1/4"-20UNC Nut	31220-13000-036	4
5	ST4.2x10 Tapping Screw	24200-42010-136	8
6	U Pin	G350-0026-9000	1

For correct hardware assembly, always position the lock washer between the screw and the flat washer.



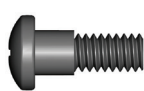
⚠ Caution:
Sheet metal can cause injury. Wear gloves when installing the grill.

1



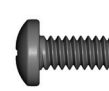
1/4"-20UNCx13 Screw
X 24

2



1/4"-20UNC Screw
X 4

3



NO.10-24UNCx10 Screw
X 2

4



1/4"-20UNC Nut
X 4

5



ST4.2x10 Tapping Screw
X 8

6



U Pin
X 1

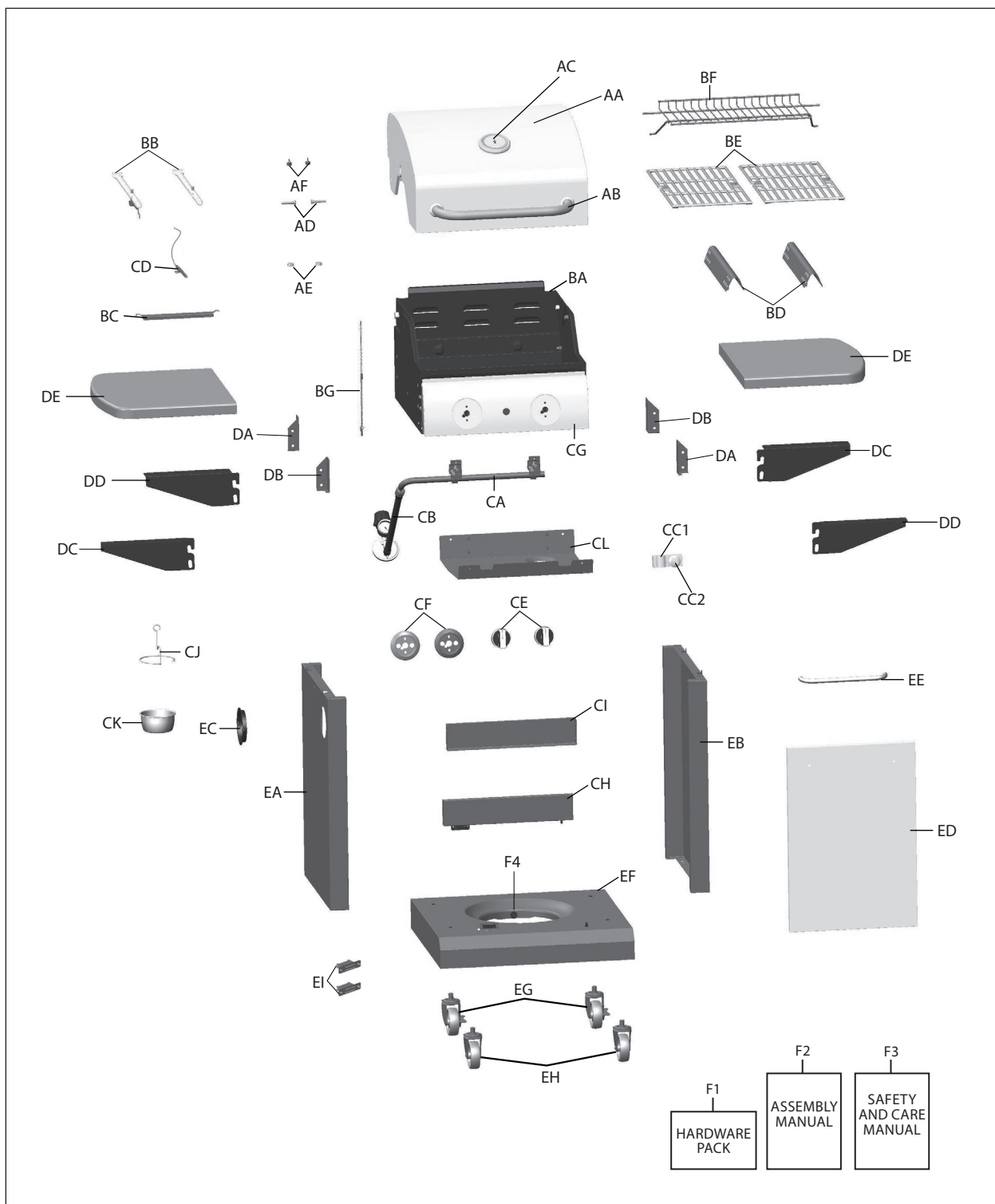
BEFORE ASSEMBLING THIS BARBECUE, READ THE INSTRUCTIONS CAREFULLY.

Assemble the barbecue on a flat, clean surface. Grill is heavy. Two people are recommended to complete assembly.

PARTS LIST (PROPANE) FOR 85-3136-8 (G36401)

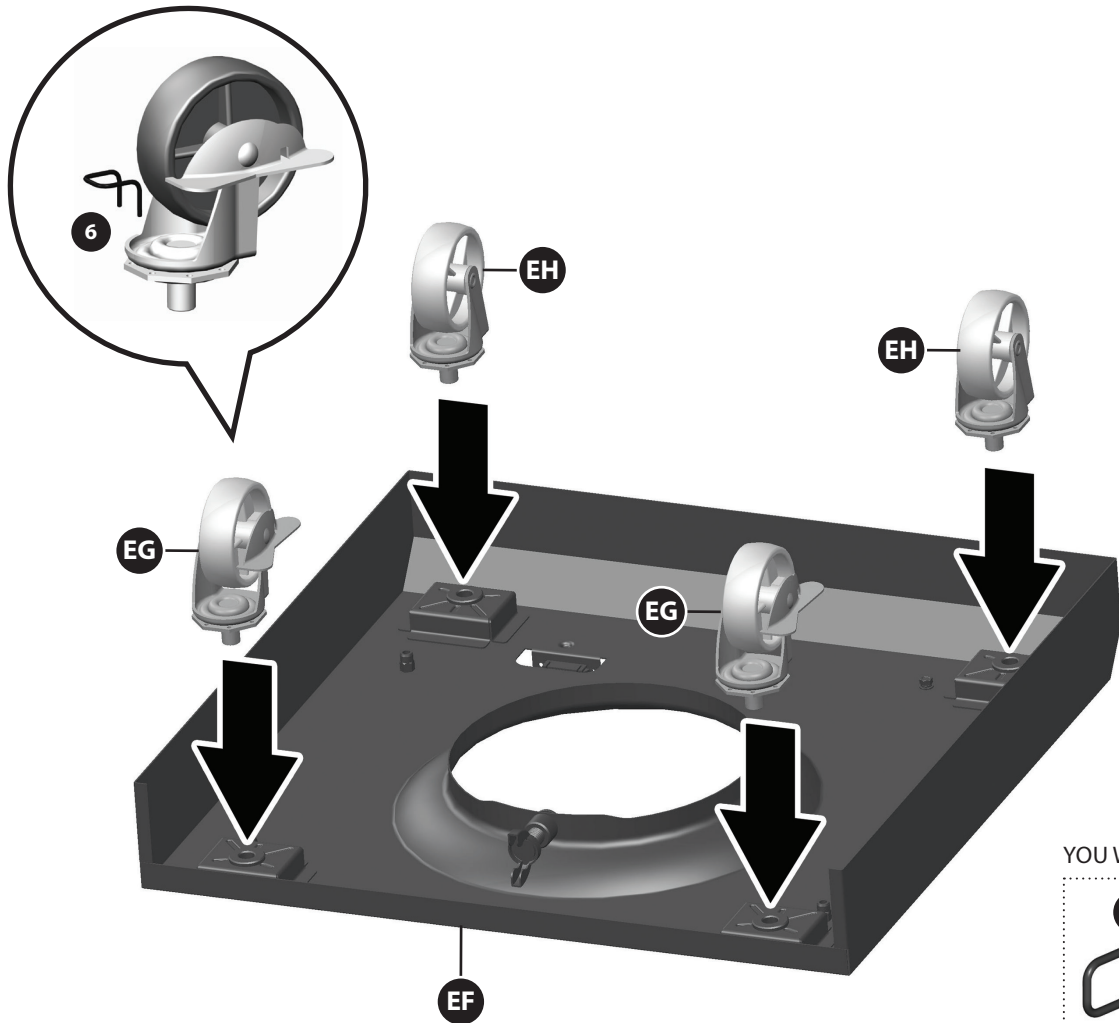
KEY #	QUANTITY	DESCRIPTION	PART NO.
AA	1	Top Lid Assembly	G364-2000-01
AB	1	Lid Handle	G364-0002-01
AC	1	Thermometer and Bezel	G364-0004-01
AD	2	Screw for Top Lid	G309-0008-02
AE	2	Lid Bumper, Front	G527-0002-02
AF	2	Lid Bumper, Rear	G303-0038-01
BA	1	Burner Box Assembly	G309-0D00-01
BB	2	Main Burners	G364-2200-01
BC	1	Carryover Assembly	G309-0C02-01
BD	2	Flame Tamer	G458-0018-01
BE	2	Cooking Grate	G309-0019-01
BF	1	Warming Rack	G309-0003-01
BG	1	Match Holder	G608-0019-02
CA	1	Manifold Assembly	G364-5000-01
CB	1	Regulator	G364-0006-01
CC1	1	Electronic Ignition Assembly	F401-0012-01
CC2	1	Ignition Battery Cover	G432-0026-01
CD	1	Electrode Set, Main Burner	G362-0023-01
CE	2	Control Knob	G364-0007-01
CF	2	Bezel, Control Knob	G364-0008-01
CG	1	Control Panel	G364-0200-01
CH	1	Door Support Rail	G309-1N00-01
CI	1	Upper Back Brace	G309-2701-01
CJ	1	Grease Cup Hook	G305-0043-01
CK	1	Grease Cup	G430-0033-02
CL	1	Heat Shield	G309-5102-01
DA	2	Support Bracket A	G309-0005-01
DB	2	Support Bracket B	G309-0006-01
DC	2	Shelf Support A	G361-1001-01
DD	2	Shelf Support B	G361-1002-01
DE	2	Side Shelf	G364-0009-01
EA	1	Cart Side Panel, Left	G364-0012-01
EB	1	Cart Side Panel, Right	G309-0025-01
EC	1	Grommet	G501-0039-01
ED	1	Door Assembly	G364-9000-01
EE	1	Door Handle	G453-0053-01
EF	1	Bottom Shelf	G364-0400-01
EG	2	Locking Castor	G350-0023-01
EH	2	Castor	G350-0024-01
EI	2	Door Magnet Assembly	G213-0022-01
F1	1	Hardware Pack	G364-B001-01
F2	1	Assembly Manual	G364-M001-01
F3	1	Safe Use and Care Manual	G453-M015-02
F4	1	Tank Screw	G430-C001-01

EXPLODED DIAGRAM (PROPANE) FOR 85-3136-8 (G36401)

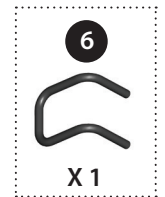


ASSEMBLY INSTRUCTIONS

1

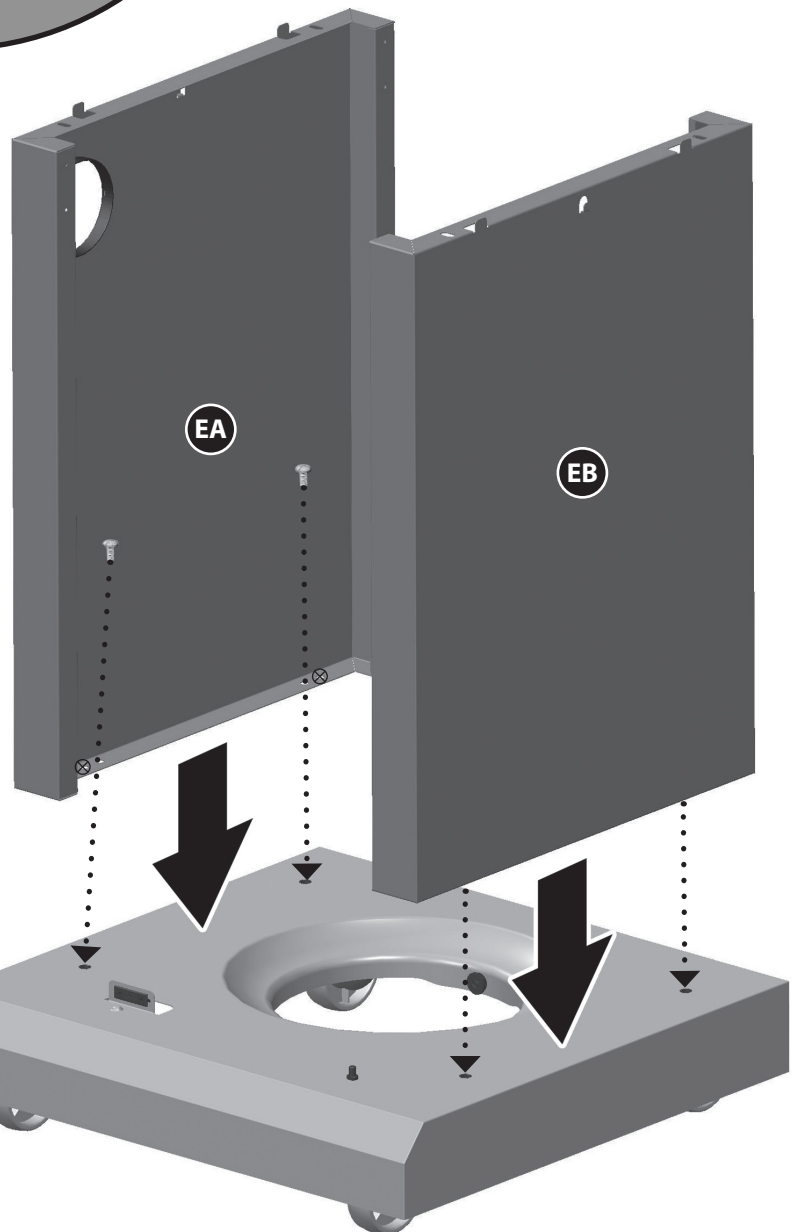
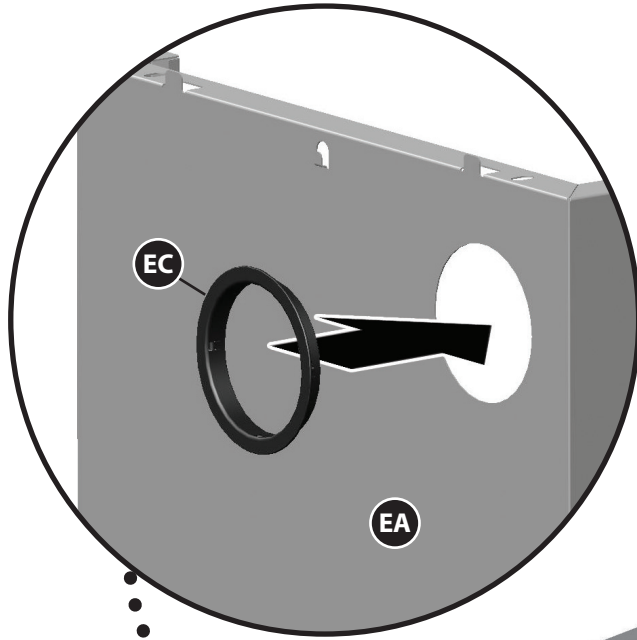


YOU WILL NEED:

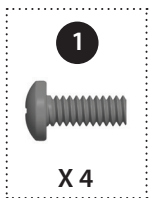


ASSEMBLY INSTRUCTIONS

2

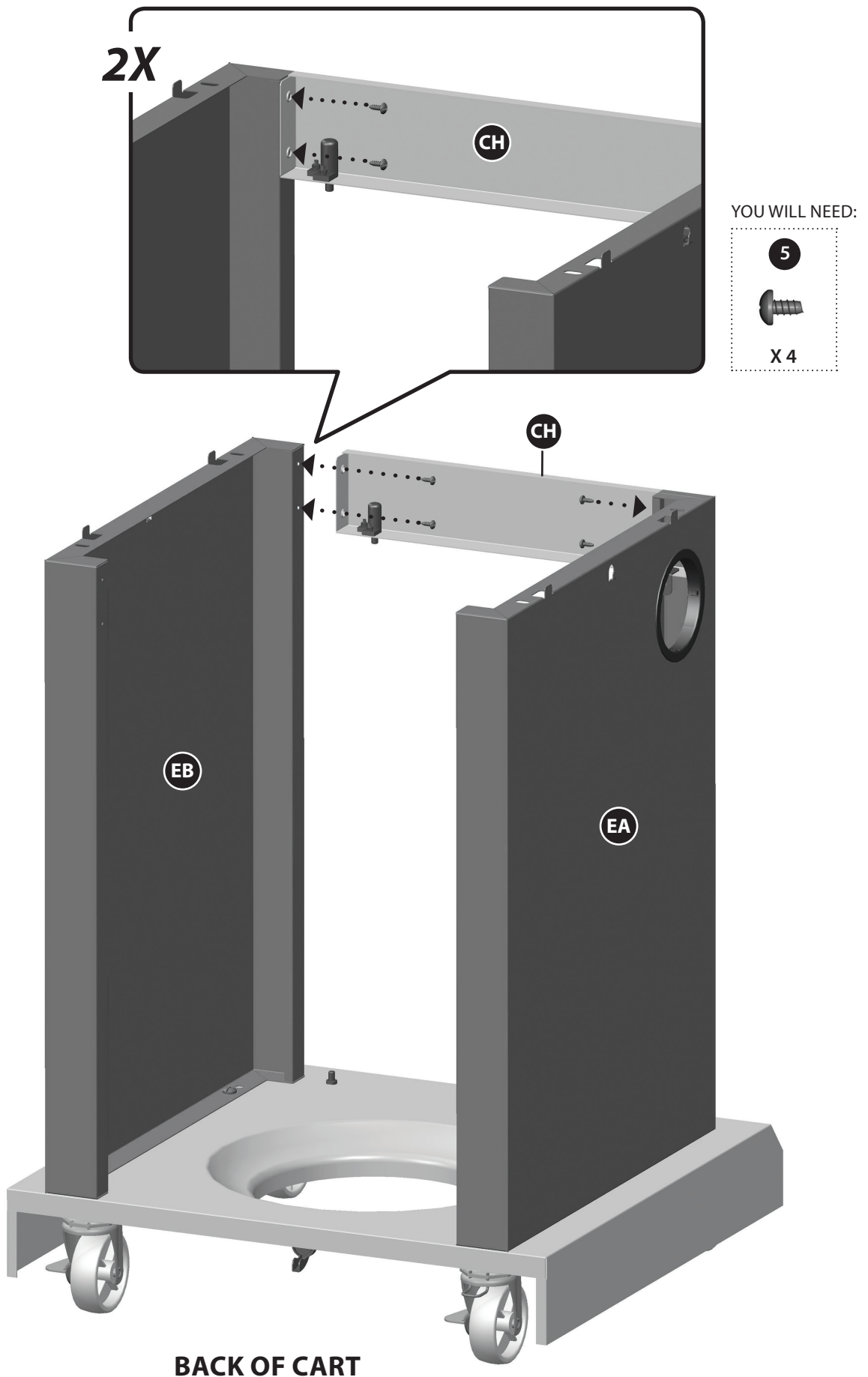


YOU WILL NEED:



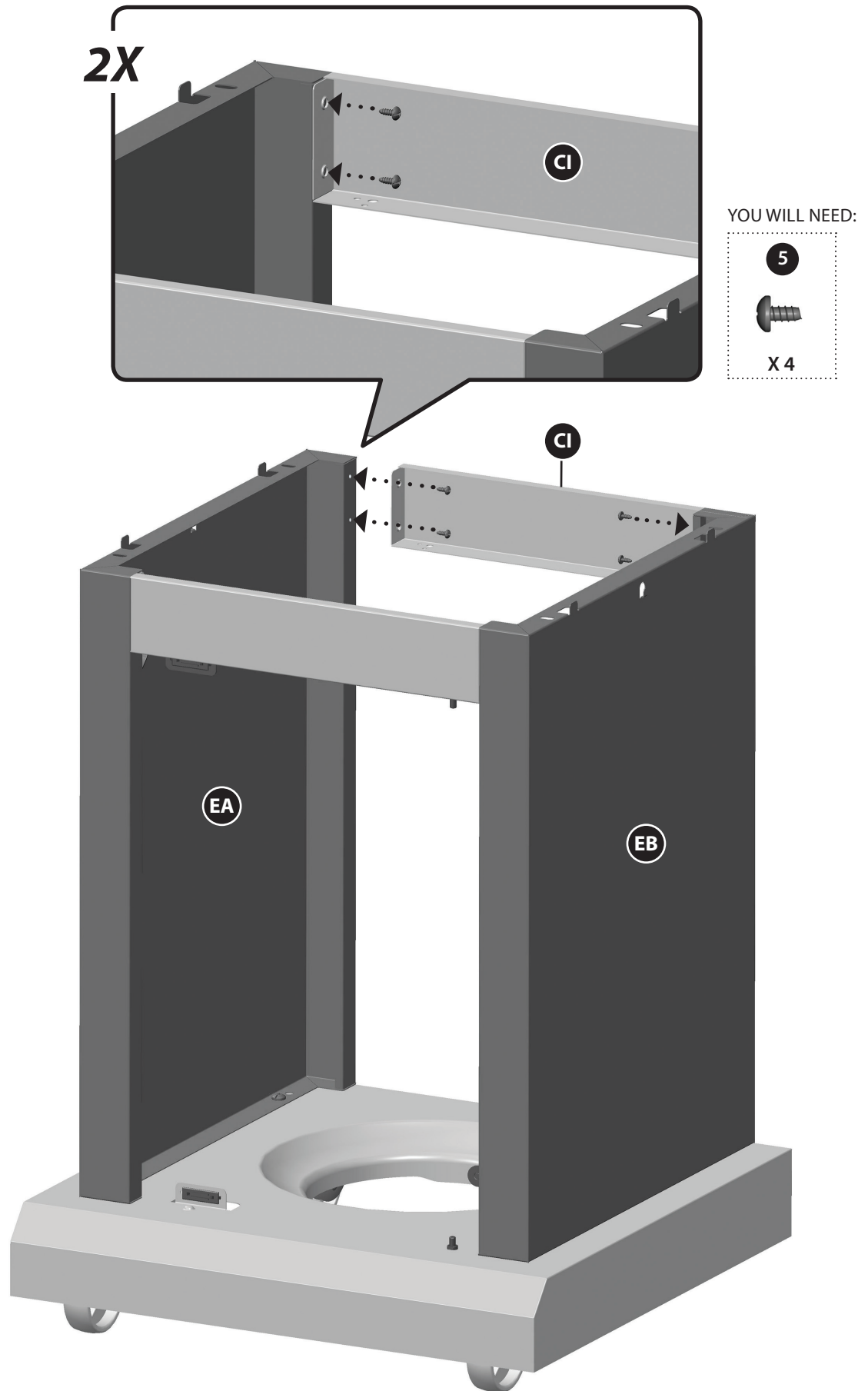
ASSEMBLY INSTRUCTIONS

3



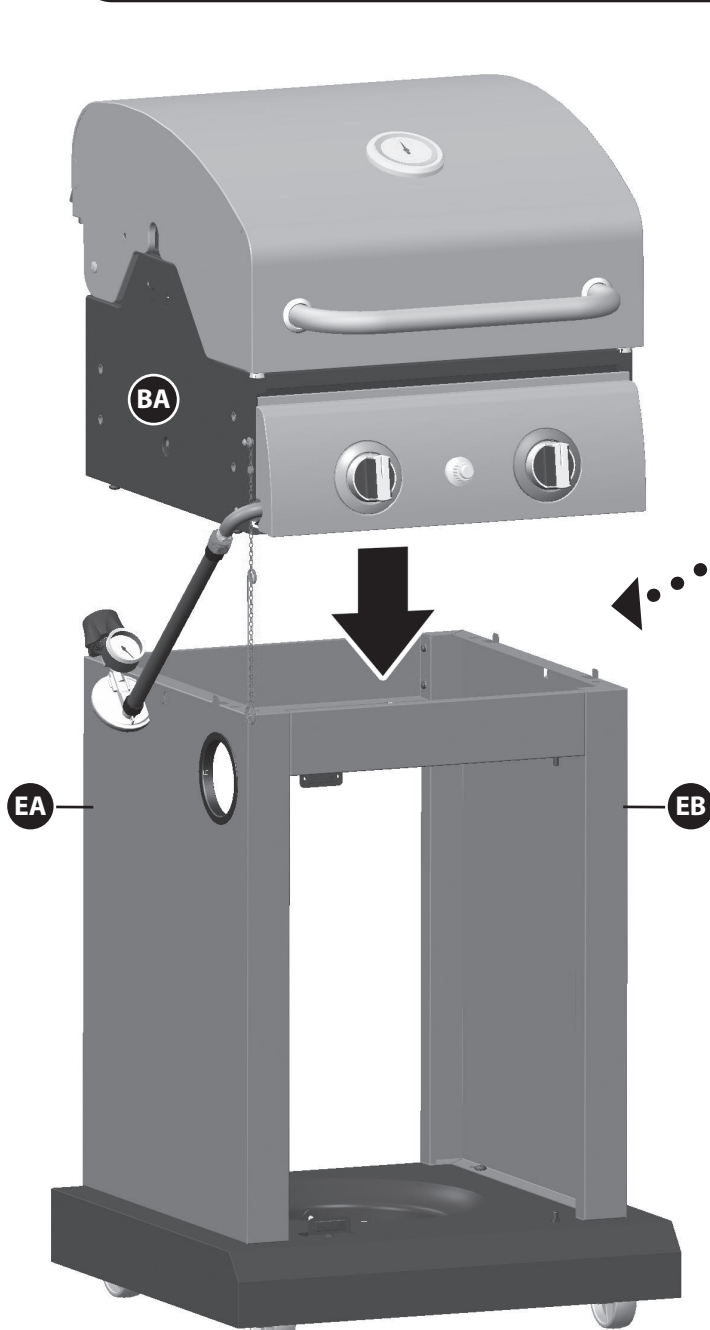
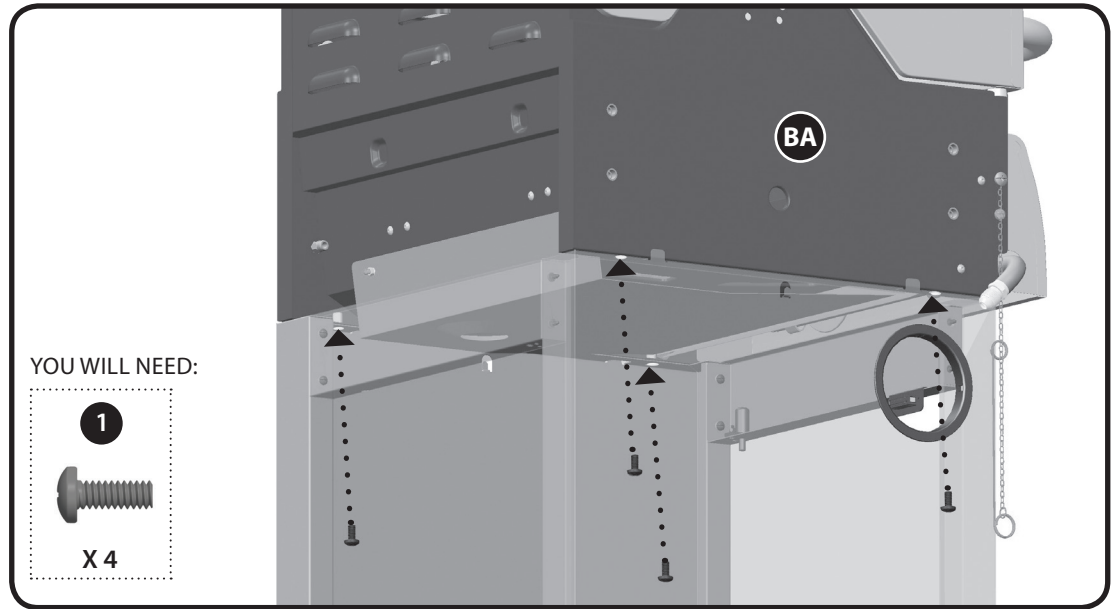
ASSEMBLY INSTRUCTIONS

4



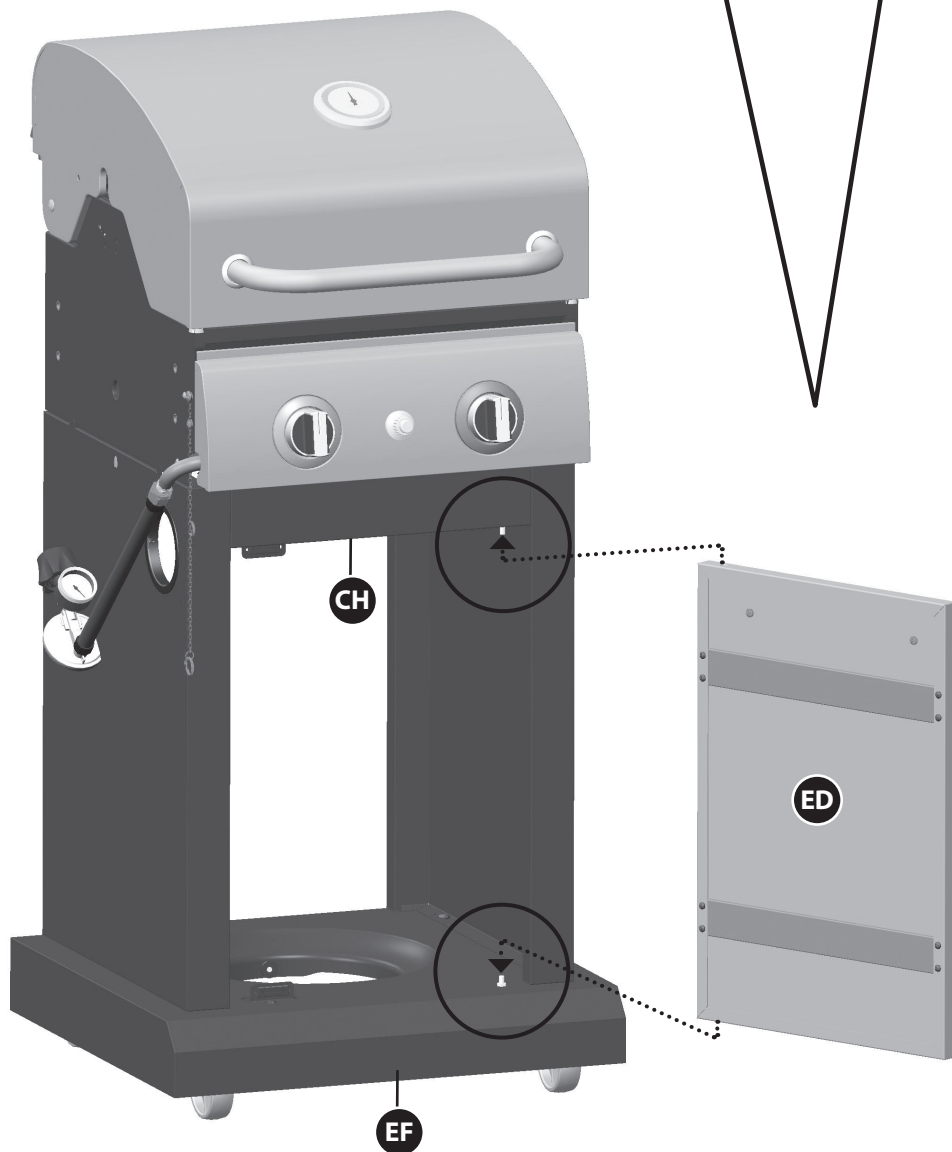
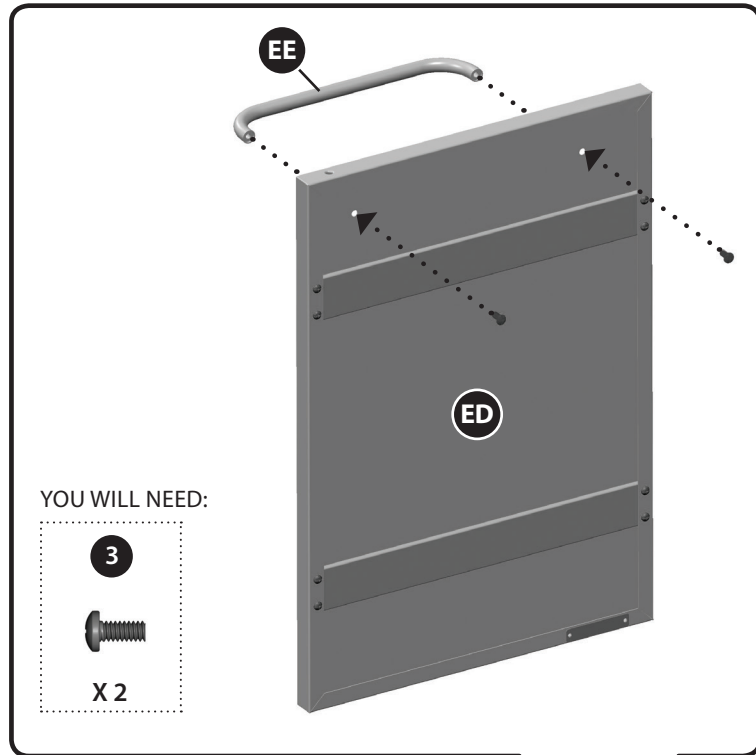
ASSEMBLY INSTRUCTIONS

5



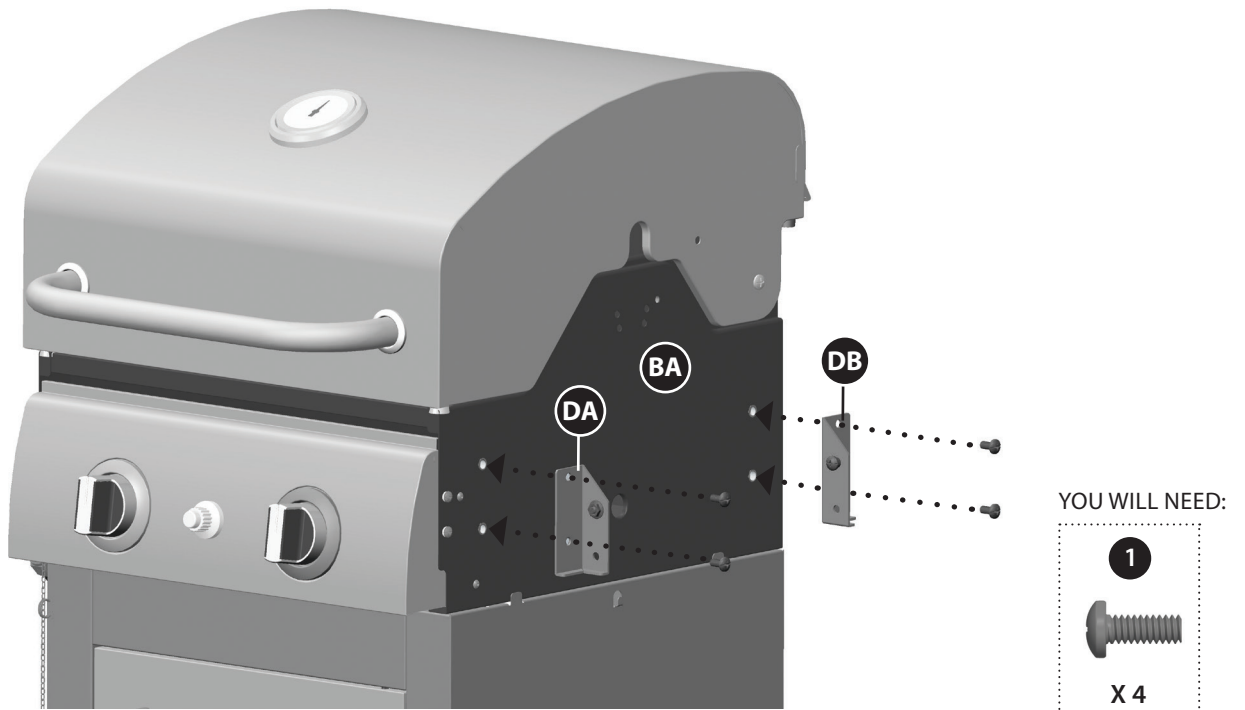
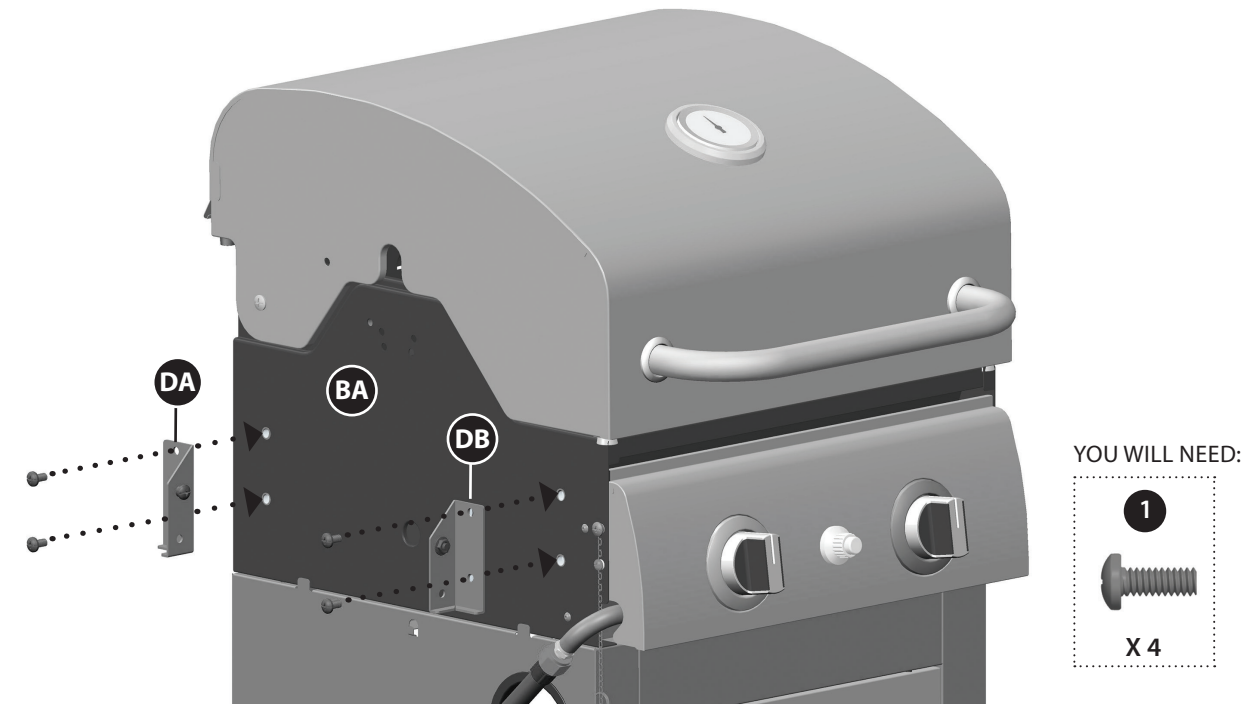
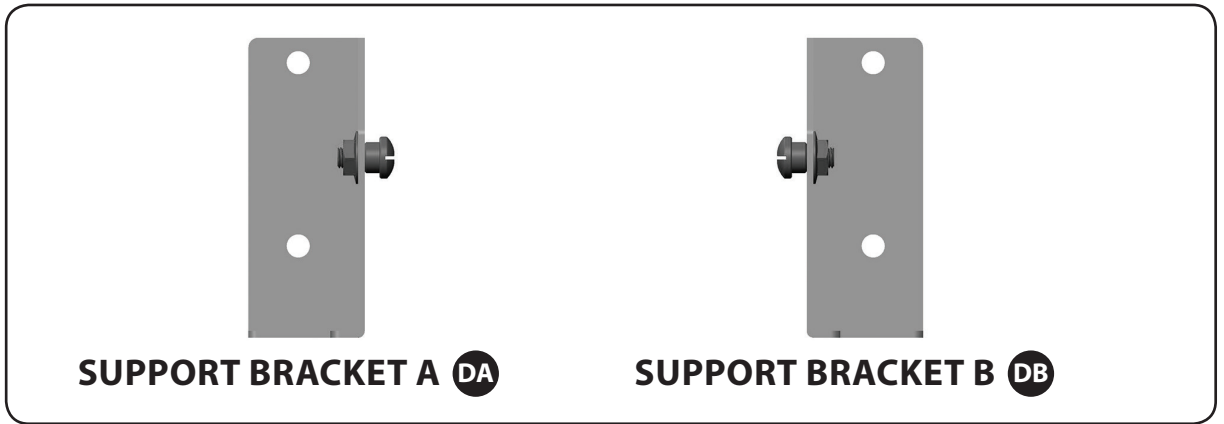
ASSEMBLY INSTRUCTIONS

6



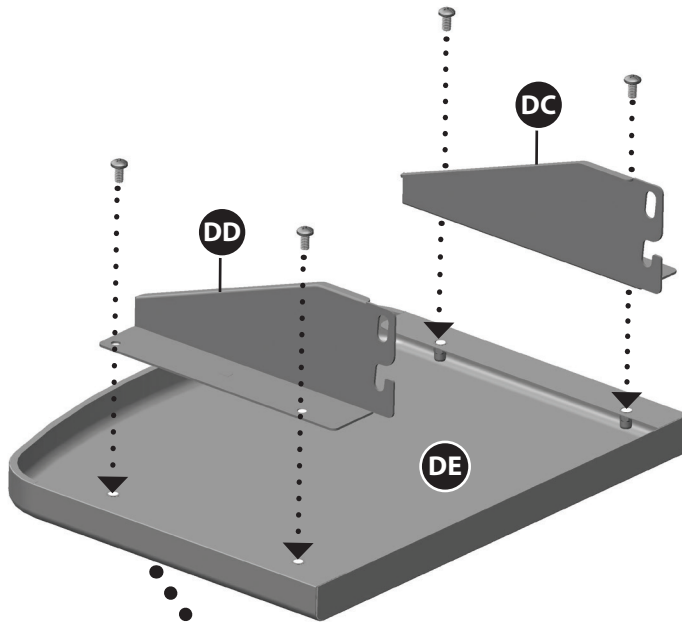
ASSEMBLY INSTRUCTIONS

7

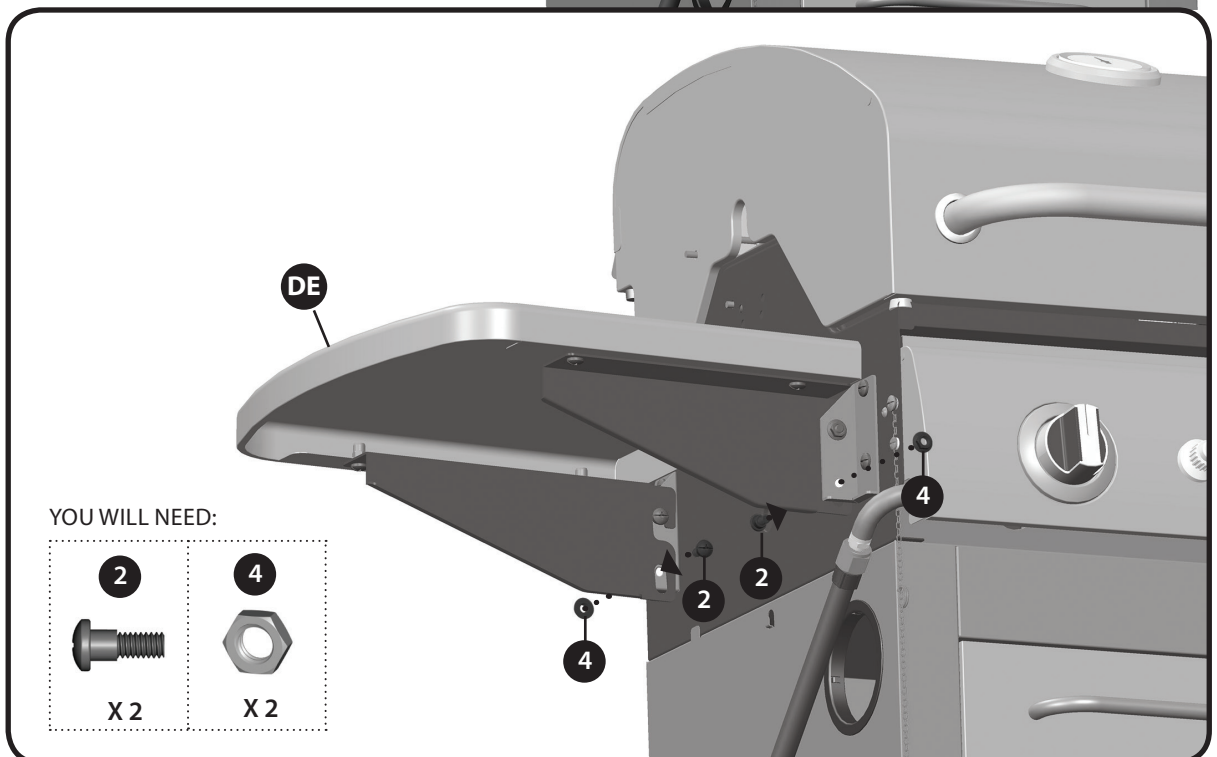
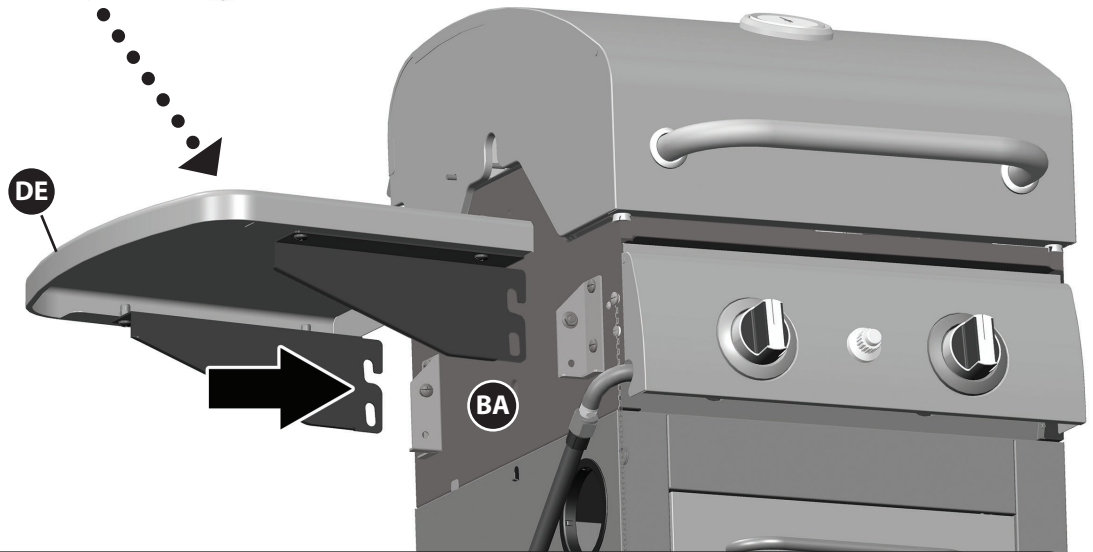
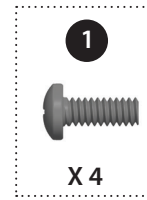


ASSEMBLY INSTRUCTIONS

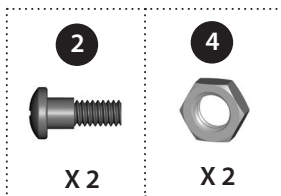
8



YOU WILL NEED:



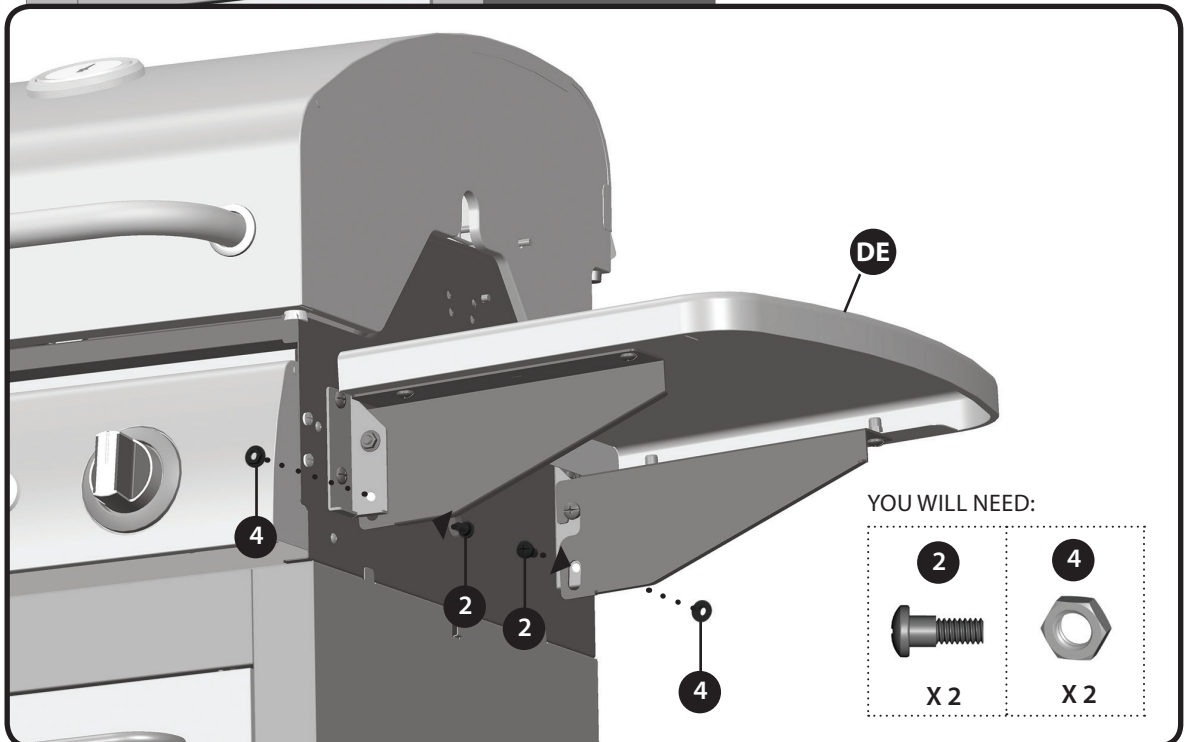
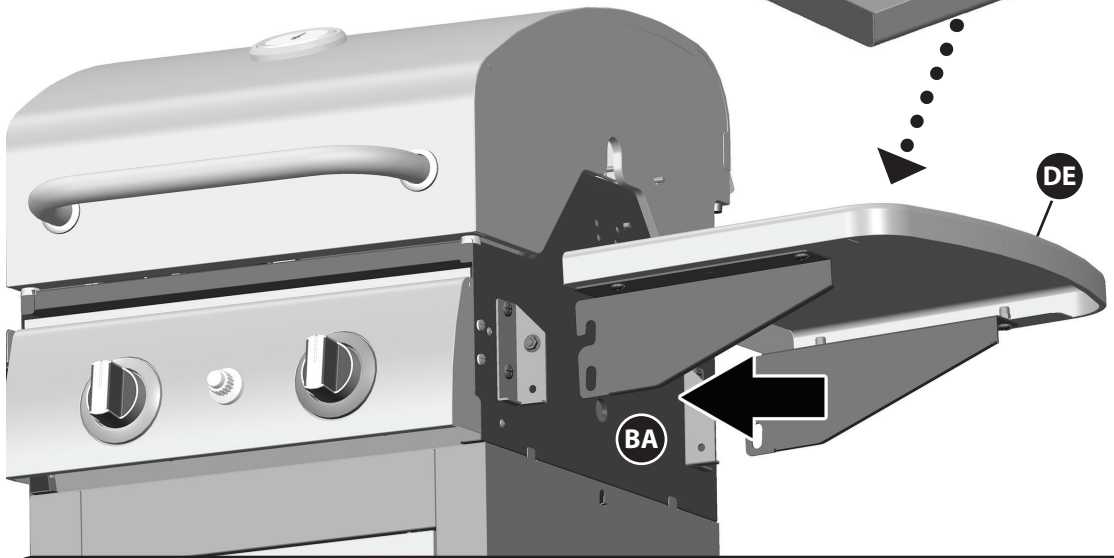
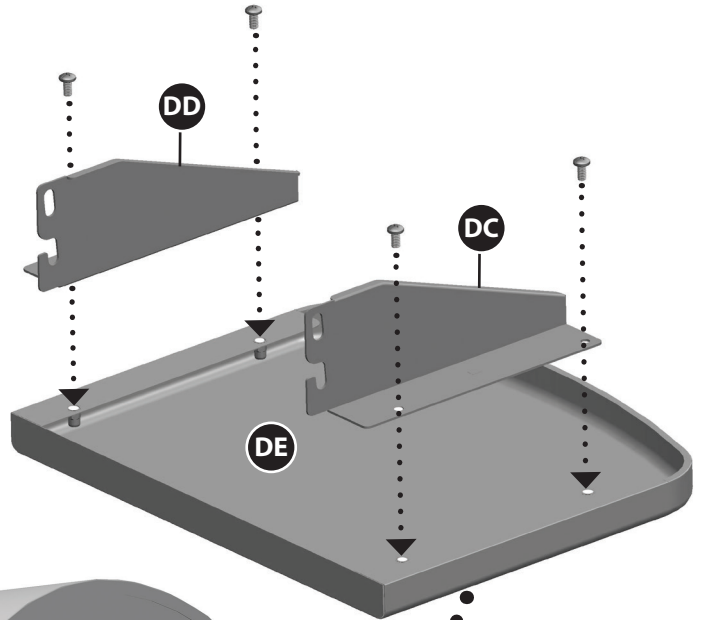
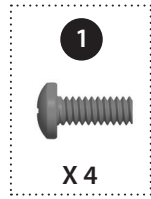
YOU WILL NEED:



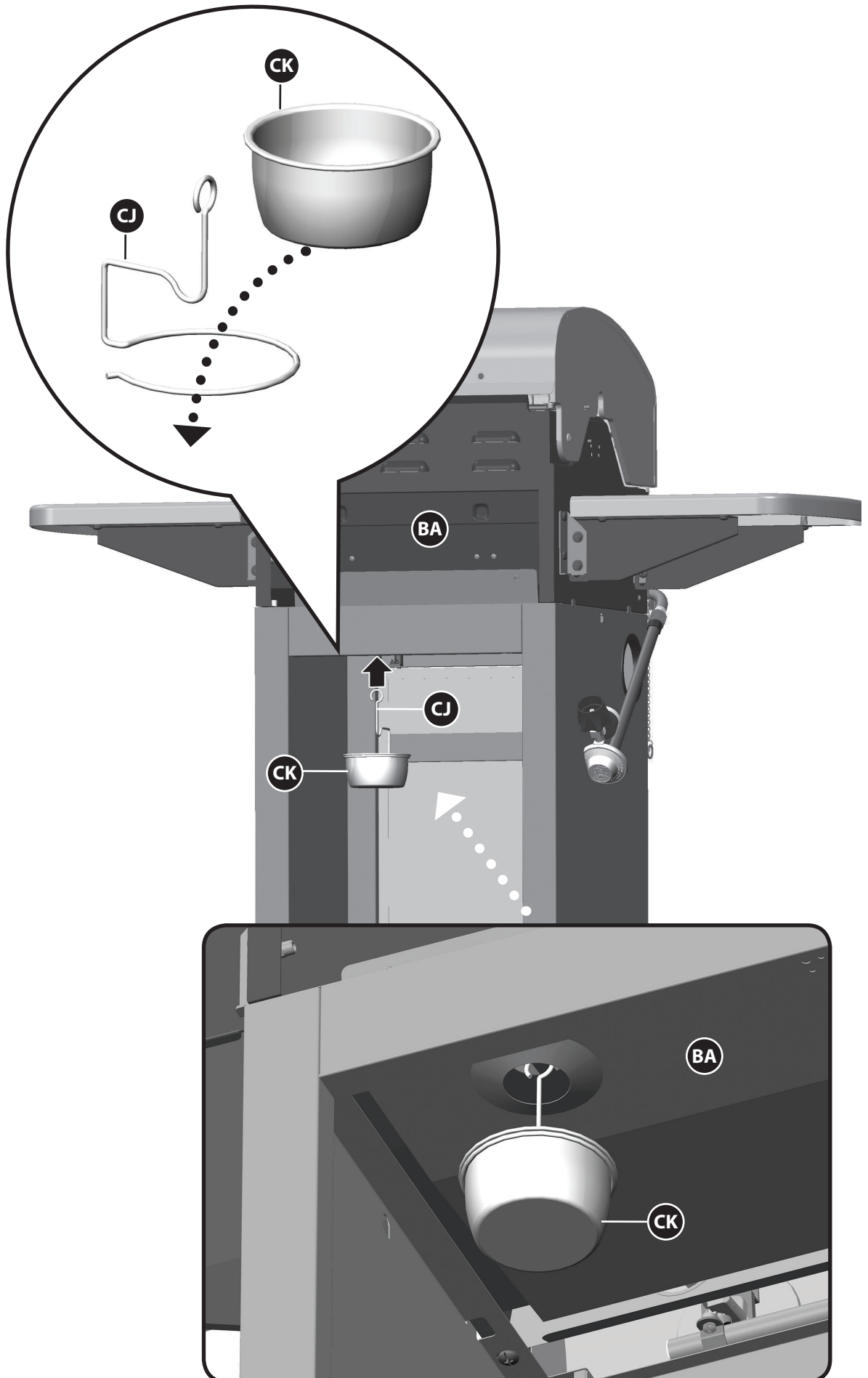
ASSEMBLY INSTRUCTIONS

8

YOU WILL NEED:



9



ASSEMBLY INSTRUCTIONS



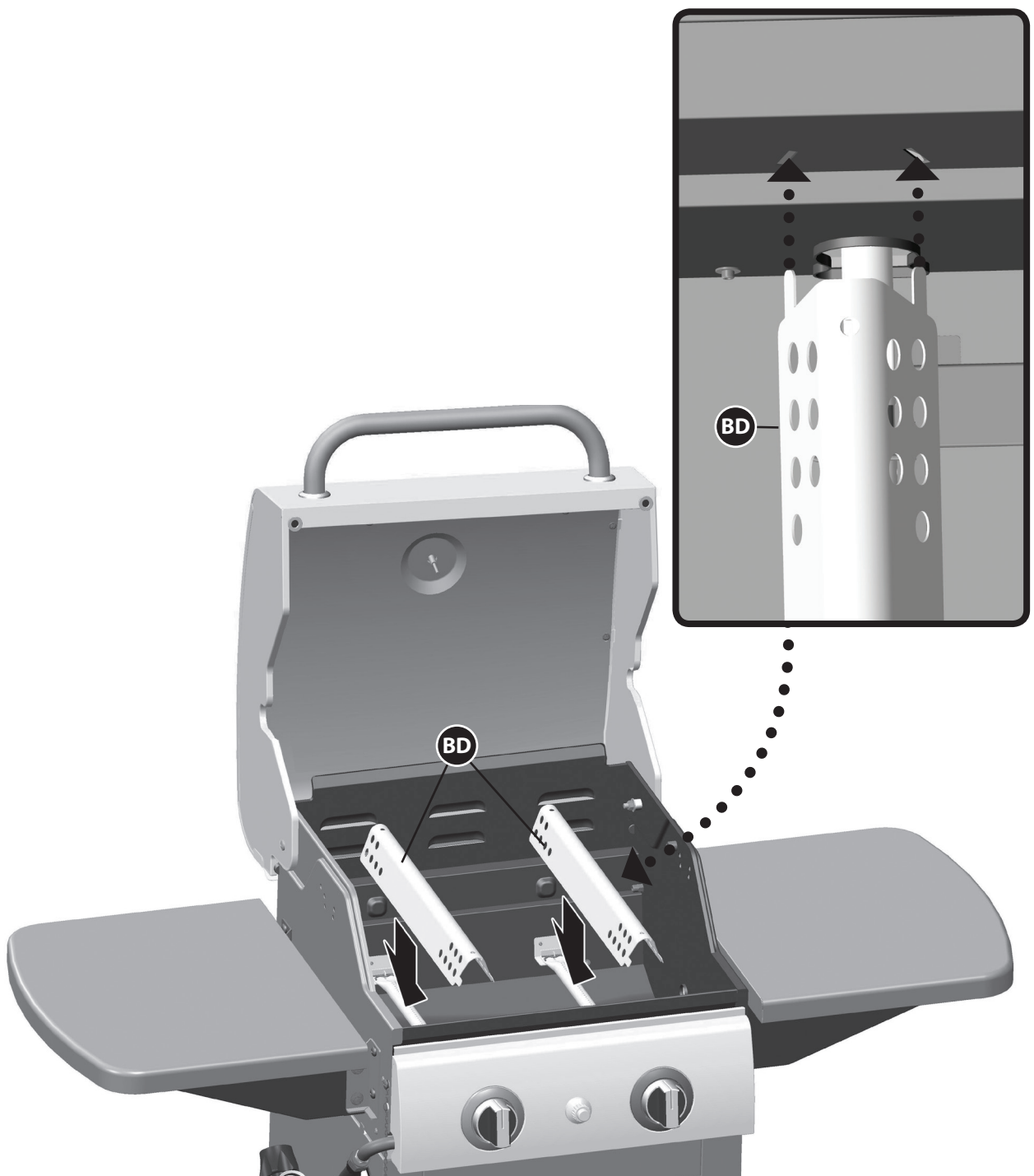
CONVERTIBLE VALVE SYSTEM™

ATTENTION: YOUR MODEL includes the CONVERTIBLE VALVE SYSTEM™. If you would like to convert your BBQ from PROPANE to NATURAL GAS, the following kit is required

Convertible Valve System™ Natural Gas Conversion Kit - product number: 85-2261-4 (available at Canadian Tire)

Before completing steps 10 to 15, follow the steps outlined in the CONVERTIBLE VALVE SYSTEM™ instruction manual that accompanied the kit.

10



ASSEMBLY INSTRUCTIONS

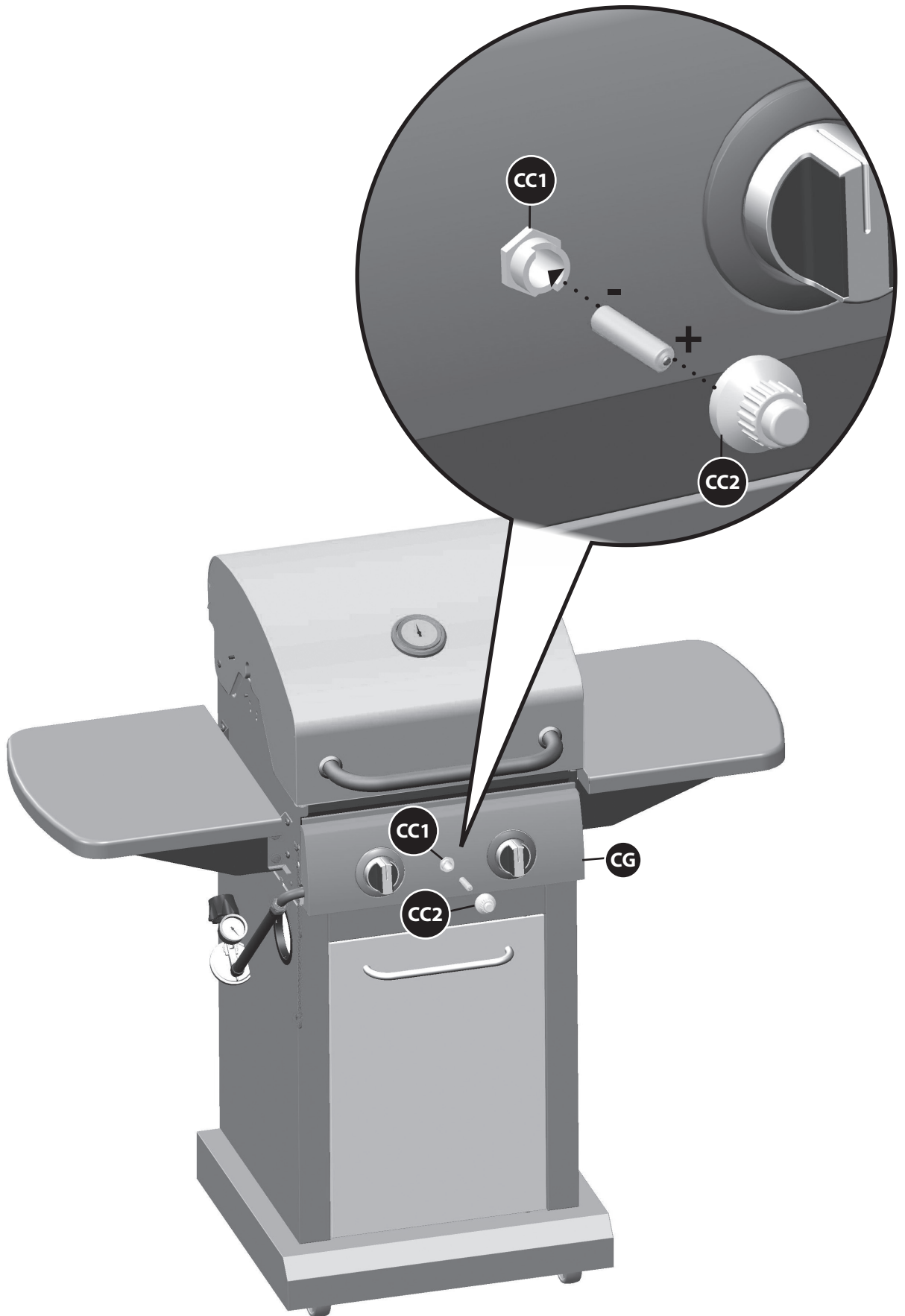
11



12



13



14

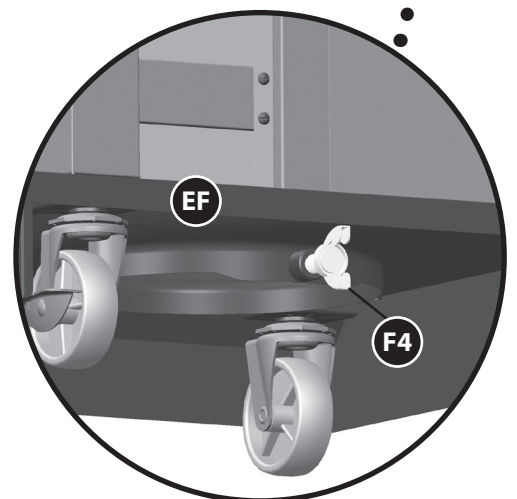
**FOR PROPANE MODEL ONLY.
FOR NATURAL GAS MODEL, FOLLOW STEP 15.**

A.



14

B.



⚠ ATTENTION ⚠

FOR YOUR SAFETY, DO NOT ATTEMPT TO LIGHT THIS BBQ UNTIL YOU HAVE REVIEWED PAGES 4-8 OF THE MASTER CHEF® SAFETY & CARE MANUAL.

ALL SAFETY AND LEAK TESTS MUST BE PERFORMED BY THE END USER, PRIOR TO LIGHTING THIS BBQ.

DO NOT STORE EXTRA PROPANE TANKS WITHIN BBQ CART.

15

HOW TO CONVERT YOUR BBQ TO NATURAL GAS

This barbecue was sold PROPANE READY, if you wish to run your barbecue on Natural Gas you must purchase the Natural Gas Conversion Kit sold at Canadian Tire, product #85-2261-4.



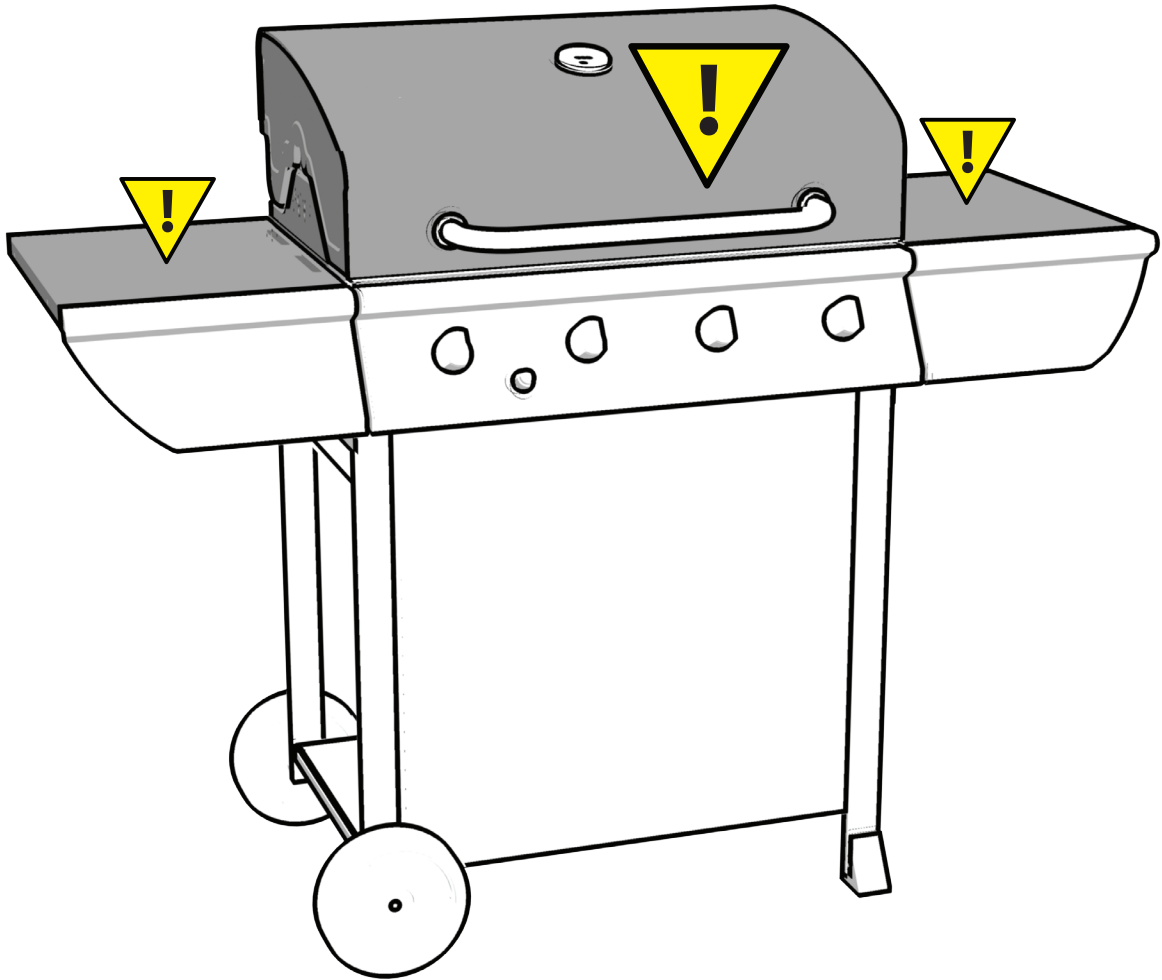
IMPORTANT

Make sure the conversion kit packaging has the following symbol on it:



**CONVERTIBLE
VALVE SYSTEM™**

⚠ WARNING HOT SURFACES



CAUTION!

- **AVOID BURNS!**
 - **DO NOT TOUCH WHEN BBQ IS IN USE!**
 - **EXTREMELY HOT SURFACE!**
- * *SHADED AREAS BECOME EXTREMELY HOT WHEN IN USE.***

MASTER
Chef^{TM/MC}

Visit **www.masterchefbbqs.com**
to complete product registration

Master Chef® Customer Service
1-855-453-2150

Trileaf Distributions Trifeuil
Toronto, Ontario M4S 2B8