



T620 Barbeque Assembly Manual

85-3008-4 (G65001) Propane
85-3009-2 (G65002) Natural Gas

1 YEAR LIMITED WARRANTY

**READ AND SAVE MANUAL FOR FUTURE REFERENCE.
If pre-assembled, leave this manual with unit for
consumer's future reference.**

**For product inquiries, parts, warranty and
troubleshooting support, please call 1-877-707-5463.**



HEAVY ARTICLE NEEDS 2 TO LIFT

THIS MANUAL MUST REMAIN WITH THE PRODUCT AT ALL TIMES

To ORDER non-warranty replacement parts or accessories, or to register your warranty, please visit us on the web at www.masterchefbbqs.com.

CAUTION

Sharp edges. Wear gloves when assembling your grill.

CAUTION

Read and follow all safety statements, assembly instructions, and use and care directions before attempting to assemble and cook.

INSTALLER OR ASSEMBLER/CONSUMER

This manual should be kept with the BBQ at all times.

WARNING

Failure to follow all of the Manufacturer's instructions could result in hazardous fires, explosions, property damage, or serious personal injury or even death.

Follow all leak check procedures carefully prior to operation of barbecue, even if grill was dealer assembled. Do not try to light this barbecue without reading the Lighting Instructions section of this manual.

DANGER

1. If you smell Gas:
 - a. Shut off gas to the appliance
 - b. Extinguish any open flame
 - c. Open lid
 - d. If odor continues, keep away from the appliance and immediately call your gas supplier or your fire department
2. Do not store or use gasoline or other flammable vapours and liquids in the vicinity of this or any other appliance.
3. An LP cylinder not connected for use shall not be stored in the vicinity of this or any other appliance.
4. Requires two people to complete the assembly process.
5. Beware of sharp edges.

THIS BARBECUE IS FOR OUTDOOR USE ONLY

CONTACT CALL CENTRE IF ANY PARTS ARE MISSING

1-877-707-5463

HARDWARE PACK

TOOLS NEEDED FOR ASSEMBLY

- #2 Phillips screwdriver (long and short)
- ¼" Slotted screwdriver (long and short)
- Adjustable wrench
- Pliers




















Before assembling the barbecue, read these instructions carefully.

Assemble the barbecue on a flat, clean surface. Grill is heavy. You should have at least two people assemble the barbecue together.

Notes: Do not fully tighten all the nuts during this initial stage.

KEY #	DESCRIPTION	PART NUMBER	QUANTITY
1	1/4"-20UNC x 38 Screw	20120-13038-036	4
2	#8X3/8" Self Tapping Screw	22500-42010-136	19
3	1/4"-20UNC x 13 Screw	20120-13013-036	9
4	1/4"-20UNC Nut	31220-13000-036	13
5	NO.8-32UNC x10 Screw	20132-08010-250	2
6	Ø7 Flat Washer	40300-07000-036	4
7	Ø7 Lock Washer	41400-07000-206	4
8	Ø7 Fiber Washer	G431-0018-9000	8
9	Ø5 Flat Washer	40300-04000-250	4
10	Ø5 Lock Washer	41400-04000-132	4
11	Venturi Clip, Side Burner	G405-0019-9200	1
12	M4 Wing Nut	33301-04000-032	1
13	Wheel Spacer	G650-0012-9091	2
14	Washer (wheel)	G650-0013-9091	1
15	Hitch Pin	G306-0005-9088	1
16	Control Knob	G430-0026-01	1
17	Bezel, Control Knob	G430-0027-01	1
18	NO. 10-32UNC x 10 Screw	20132-06010-250	4
19	1/4"-20UNC x 18 Screw	20120-13018-036	4

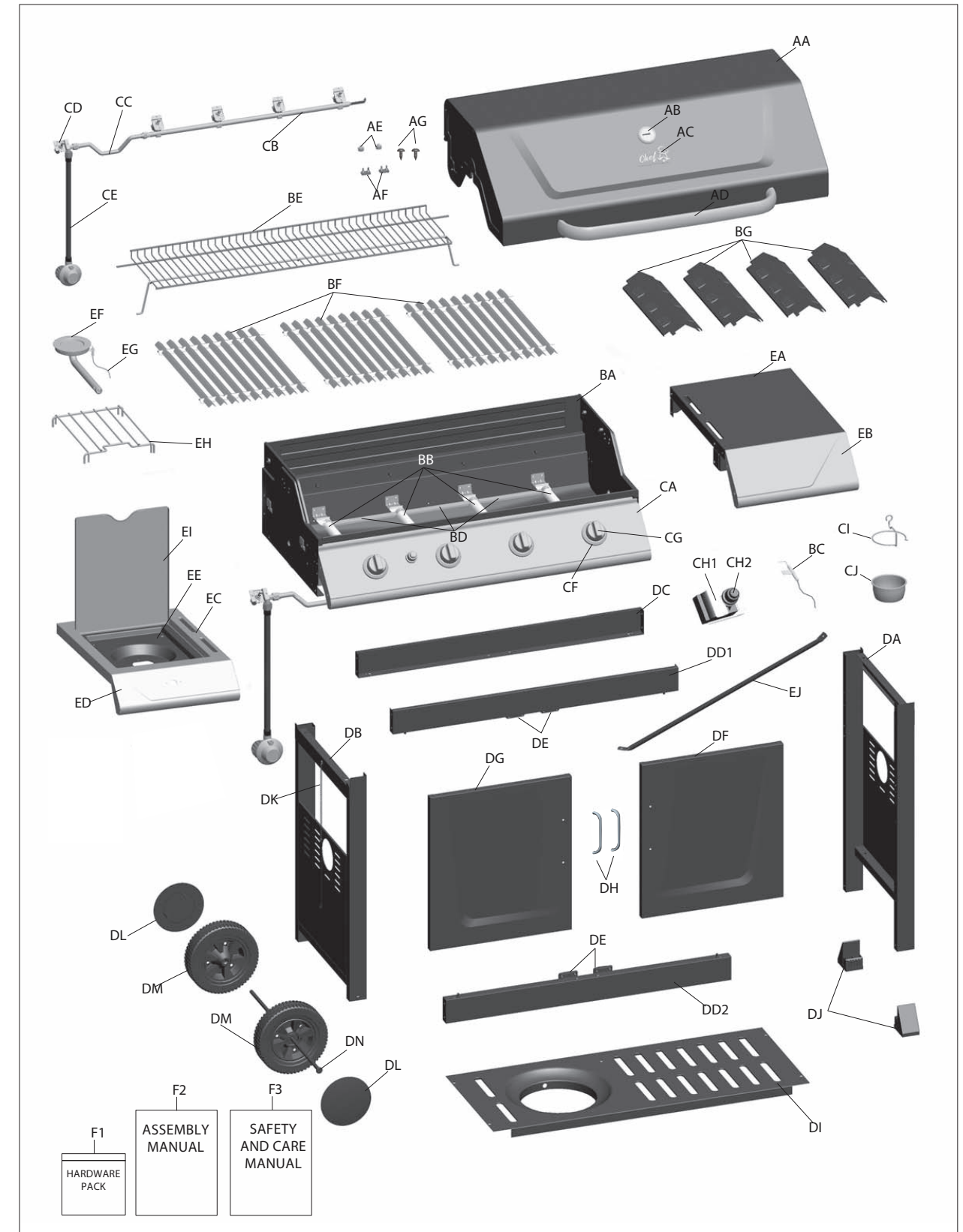
Caution: Sheet metal can cause injury. Wear gloves when installing the grill.

1  1/4"-20UNCX38 Screw X 4	2  #8X3/8" Self Tapping Screw X 19	3  1/4"- 20UNC x13 Screw X 9	4  1/4"- 20UNC Nut X 13
5  NO.8-32UNC x10 Screw X 2	6  Ø7 Flat Washer X 4	7  Ø7 Lock Washer X 4	8  Ø7 Fiber Washer X 8
9  Ø5 Flat Washer X 4	10  Ø5 Lock Washer X 4	11  Venturi Clip, Side Burner X 1	12  M4 Wing Nut X 1
13  Wheel Spacer X 2	14  Washer (Wheel) X 1	15  Hitch Pin X 1	16  Control Knob X 1
17  Bezel, Control Knob X 1	18  NO. 10-32UNC x 10 Screw X 4	19  1/4"-20UNC x 18 Screw X 4	

PARTS LIST (PROPANE) FOR 85-3008-4 (G65001)

KEY #	QUANTITY	DESCRIPTION	PART NO.
AA	1	Top lid assembly	G650-0100-01
AB	1	Thermometer	G430-0022-01
AC	1	Logo plate	G451-0001-01
AD	1	Top lid handle	G650-0001-01
AE	2	Lid bumpers-back	G303-0038-01
AF	2	Lid bumpers-front	G508-0063-01
AG	2	Screws for lid	G430-0024-02
BA	1	Burner box assembly	G650-0300-01
BB	4	Burners	G431-0300-01
BC	1	Electrode set, main burners	G501-0010-01
BD	3	Burner brace assembly	G432-0003-01
BE	1	Warming rack	G650-0002-01
BF	3	Cooking grates, burner box	G650-0200-01
BG	4	Flame tamer	G430-0005-01
CA	1	Control panel	G650-0006-01
CB	1	Manifold assembly	G650-0400-01
CC	1	Metal hose, side burner	G432-1102-01
CD	1	Side burner valve	G650-0403-01
CE	1	Regulator	G409-0069-01
CF	4	Bezel, control knob	G430-0027-01
CG	4	Control knob	G430-0026-01
CH1	1	Electronic ignition assembly	G430-0008-01
CH2	1	Electronic ignition button	G501-0072-01
CI	1	Grease cup hook	G401-0067-01
CJ	1	Grease cup	G430-0033-02
DA	1	Cart side panel- right	G650-1000-01
DB	1	Cart Side panel-left	G650-0500-01
DC	1	Back brace	G650-1201-01
DD1	1	Door support brace-top	G650-6000-01
DD2	1	Door support brace-bottom	G650-6100-01
DE	4	Magnet assembly	G439-0035-01
DF	1	Right door	G650-0800-01
DG	1	Left door	G650-0700-01
DH	2	Door handle	G413-0016-02
DI	1	Bottom shelf	G650-0600-01
DJ	2	End caps	G430-0023-01
DK	1	Match holder	G401-0079-01
DL	2	Wheel cap	G402-0060-01
DM	2	Wheel	G401-0058-01
DN	1	Wheel axle	G605-0011-01
EA	1	Side shelf table - right	G430-1500-02
EB	1	Side shelf fascia- right	G650-0007-01
EC	1	Side burner table - left	G430-1600-02
ED	1	Side burner fascia- left	G650-0008-01
EE	1	Side burner-drip pan	G430-0034-01
EF	1	Side burner	G650-1000-01
EG	1	Electrode set, side burner	G430-0042-01
EH	1	Side burner grate	G405-0004-01
EI	1	Side burner lid	G430-0018-02
EJ	1	Tank exclusion	G650-0010-01
F1	1	Hardware pack	G650-B001-01
F2	1	Assembly manual	G650-M001-01
F3	1	Safe Use and Care Manual	G451-M001-02

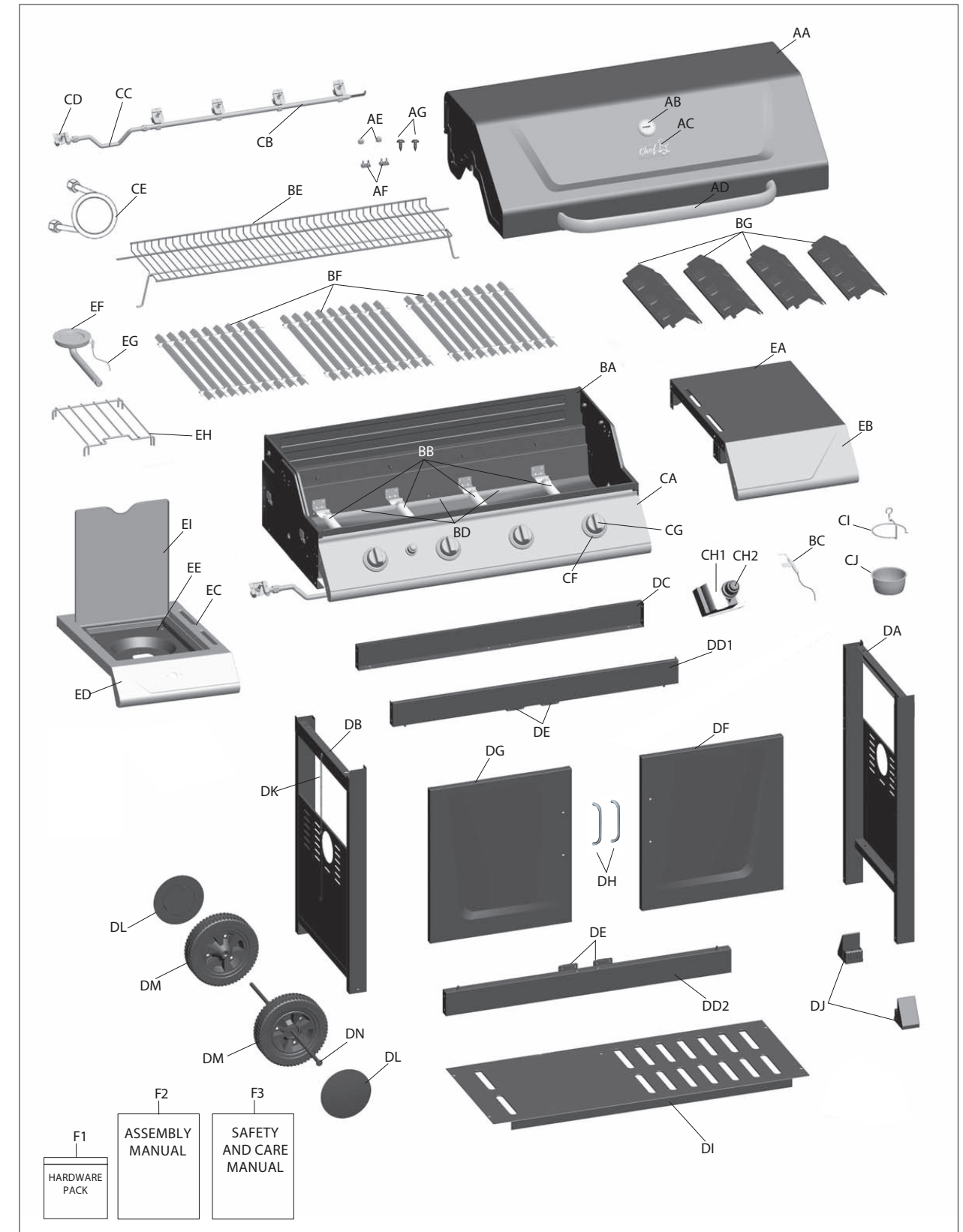
EXPLODED DIAGRAM (PROPANE) FOR 85-3008-4 (G65001)



PARTS LIST (NATURAL GAS) FOR 85-3009-2 (G65002)

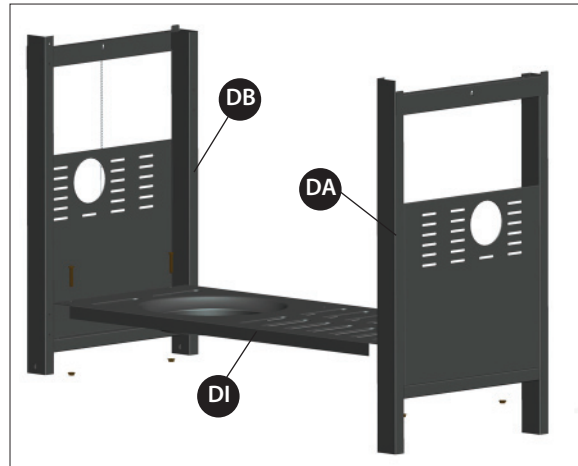
KEY #	QUANTITY	DESCRIPTION	PART NO.
AA	1	Top lid assembly	G650-0100-01
AB	1	Thermometer	G430-0022-01
AC	1	Logo plate	G451-0001-01
AD	1	Top lid handle	G650-0001-01
AE	2	Lid bumpers-back	G303-0038-01
AF	2	Lid bumpers-front	G508-0063-01
AG	2	Screws for lid	G430-0024-02
BA	1	Burner box assembly	G650-0300-01
BB	4	Burners	G431-0300-01
BC	1	Electrode set, main burners	G501-0010-01
BD	3	Burner brace assembly	G432-0003-01
BE	1	Warming rack	G650-0002-01
BF	3	Cooking grates, burner box	G650-0200-01
BG	4	Flame tamer	G430-0005-01
CA	1	Control panel	G650-0006-01
CB	1	Manifold assembly	G650-1200-01
CC	1	Metal hose, side burner	G432-1102-01
CD	1	Side burner valve	G650-1202-01
CE	1	Natural gas hose	G501-0099-01
CF	4	Bezel, control knob	G430-0027-01
CG	4	Control knob	G430-0026-01
CH1	1	Electronic ignition assembly	G430-0008-01
CH2	1	Electronic ignition button	G501-0072-01
CI	1	Grease cup hook	G401-0067-01
CJ	1	Grease cup	G430-0033-02
DA	1	Cart side panel- right	G650-0900-01
DB	1	Cart side panel-left	G650-0500-01
DC	1	Back brace	G650-1201-01
DD1	1	Door support brace-top	G650-6000-01
DD2	1	Door support brace-bottom	G650-6100-01
DE	4	Magnet assembly	G439-0035-01
DF	1	Right door	G650-0800-01
DG	1	Left door	G650-0700-01
DH	2	Door handle	G413-0016-02
DI	1	Bottom shelf	G650-0014-01
DJ	2	End caps	G430-0023-01
DK	1	Match holder	G401-0079-01
DL	2	Wheel cap	G402-0060-01
DM	2	Wheel	G401-0058-01
DN	1	Wheel axle	G650-0011-01
EA	1	Side shelf table - right	G430-1500-02
EB	1	Side shelf fascia- right	G650-0007-01
EC	1	Side burner table - left	G430-1600-02
ED	1	Side burner fascia- left	G650-0008-01
EE	1	Side burner-drip pan	G430-0034-01
EF	1	Side burner	G650-1300-01
EG	1	Electrode set, side burner	G430-0042-01
EH	1	Side burner grate	G405-0004-01
EI	1	Side burner lid	G430-0018-02
F1	1	Hardware pack	G650-B001-01
F2	1	Assembly manual	G650-M001-01
F3	1	Safe Use and Care Manual	G451-M001-02

EXPLODED DIAGRAM (NATURAL GAS) FOR 85-3009-2 (G65002)



ASSEMBLY INSTRUCTIONS

1



FRONT VIEW



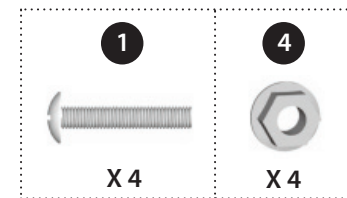
FRONT VIEW

CART ASSEMBLY

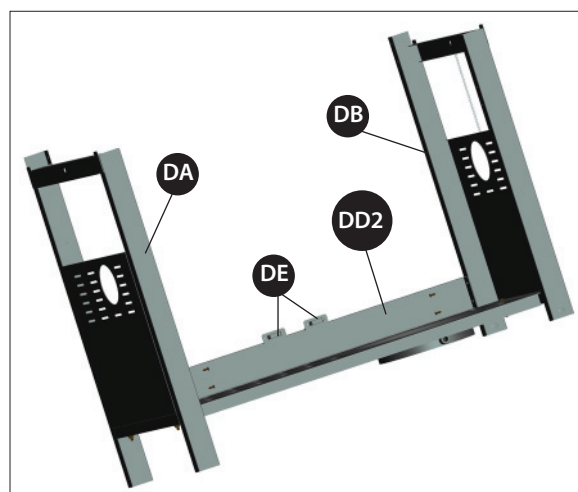
TIP: Two People required in this step. Propane model only: To begin, position the bottom shelf (DI) in front of you, with the tank opening positioned on the left side.

Assemble the bottom shelf (DI) to the right and left cart side panels (DA and DB). Securely tighten hardware.

YOU WILL NEED:



2



BACK VIEW

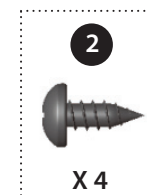


BACK VIEW

a. Assemble the bottom, door support brace (DD2) (magnets facing upward), to the bottom, of the left and right cart side panel (DA and DB), as shown.

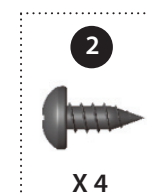
TIP: One person should align the part, while the second person assembles the hardware.

YOU WILL NEED:



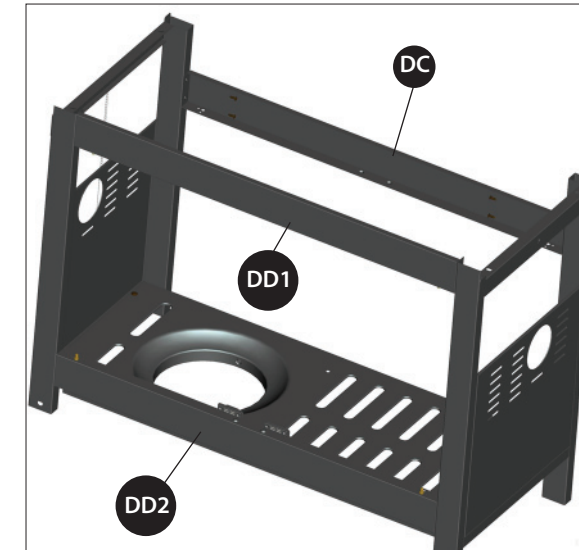
b. Assemble the top, door support brace (DD1) (magnets facing downward), to the top, of the left and right cart side panel (DA and DB) as shown.

YOU WILL NEED:



ASSEMBLY INSTRUCTIONS

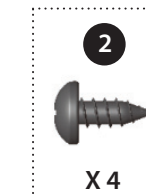
2



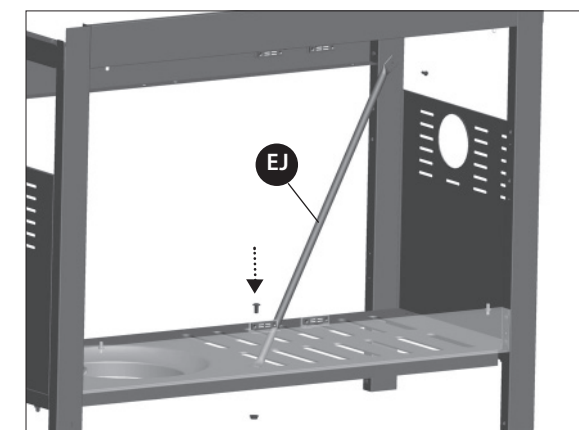
FRONT VIEW

c. Assemble the back brace (DC) to the back of the BBQ cart assembly (C), as shown.

YOU WILL NEED:



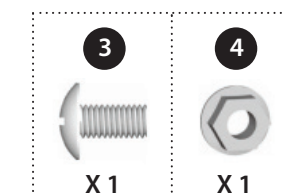
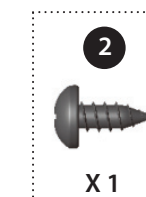
3



FRONT VIEW

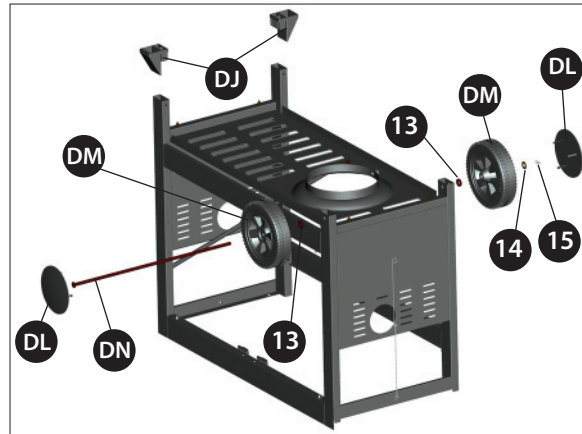
From the back of the cart assembly, assemble the tank exclusion (EJ) to the right cart side panel (DA). Secure the other end to the front of the bottom shelf (DI), as shown.

YOU WILL NEED:



ASSEMBLY INSTRUCTIONS

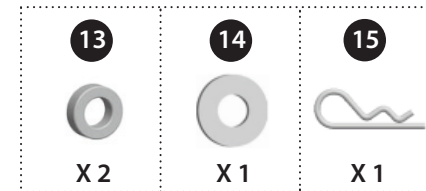
4



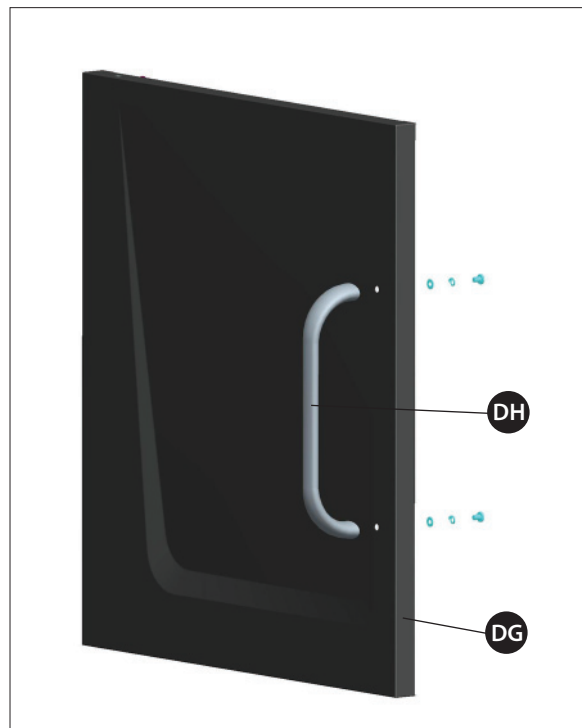
TIP: Turn Cart assembly upside down. Locate the large holes on the bottom of the left cart side panel legs (DB), for assembling the wheel axle (DN).

- Place wheel (DM), and wheel spacer (#13) onto wheel axle (DN). "Cone" side of wheel should be against cart side panel. Insert wheel axle assembly (DN) through wheel axle hole in the front and rear, of the left cart side panel (DA and DB), as shown. To complete wheel assembly, position the wheel spacer (#13), wheel (DM), wheel washer (#14) and hitch pin (#15), onto wheel axle (DN), as shown.
- Insert wheel cap (DL) into wheel (DM).
- Using a mallet, insert the end caps (DJ) into the bottom of the right cart side panel (DA).

YOU WILL NEED:

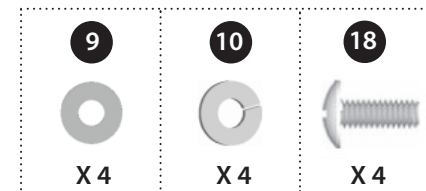


5



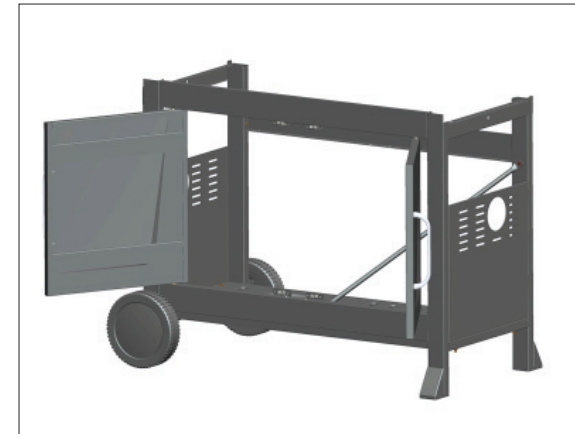
Assemble the door handles (DH) to the right and left door assembly (DF and DG).

YOU WILL NEED:



ASSEMBLY INSTRUCTIONS

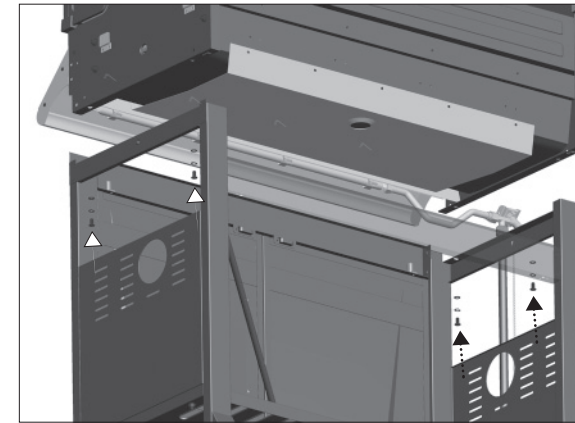
6



- Assemble the left and right door assembly (DG) and (DF) to the cart side panels by inserting the fixed pin-bottom door support brace (DD2) into the bottom corner of the doors.
- Press in door pin –top left, door support brace (DD1), and align the top left corner of the door, until the pin rebounds. Repeat this step with right door.

TIP: One person can use a paint scraper or another flat device to press in top, door support pin, while the second person aligns the door.

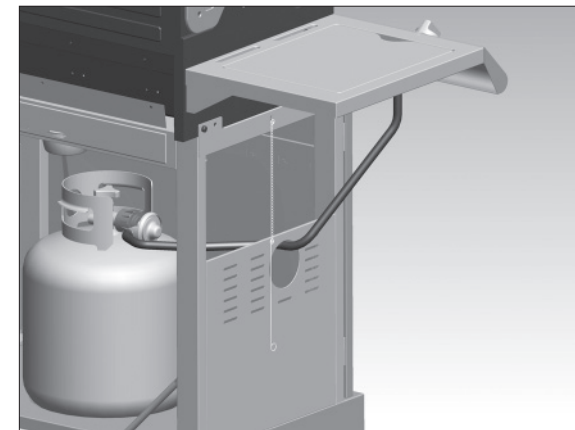
7



THIS STEP REQUIRES 2 OR MORE PEOPLE. DO NOT ATTEMPT ALONE. EXTREMELY HEAVY.

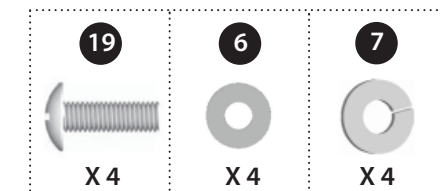
- Position the top lid and burner box assembly (A and B) onto cart assembly (C) as shown.

Ensure that the regulator (CE) (Propane model only) is hanging outside of the cart before assembling hardware. FOR YOUR SAFETY: Feed regulator (CE) through the hole located in the left cart side panel (DB), as shown in the image.



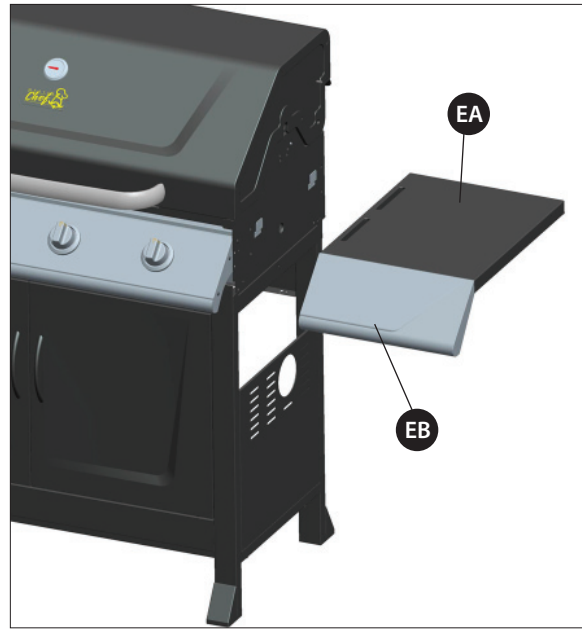
- Use the hardware to connect both parts, on the left and right sides, at the two points indicated.

YOU WILL NEED:



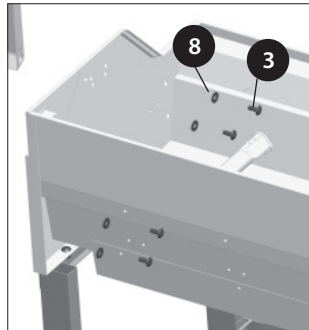
ASSEMBLY INSTRUCTIONS

8



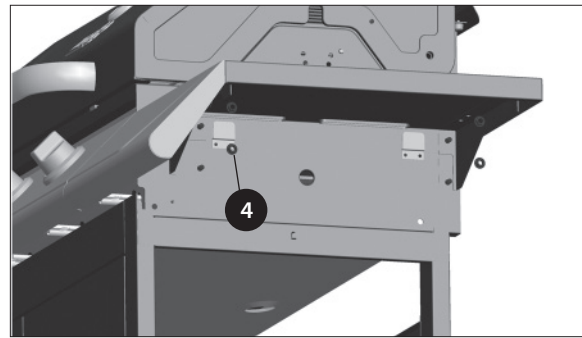
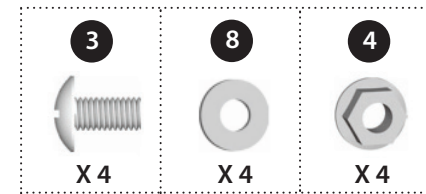
RIGHT SIDE SHELF ASSEMBLY

TIP: To position the right side shelf assembly (EA and EB), insert the two hooks on the side shelf assembly into the two hooks located on the right burner box side panel (BA).

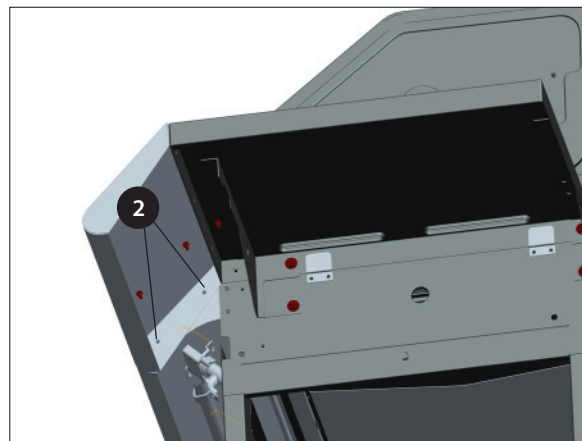
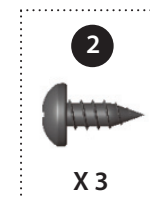


Assemble the right side shelf assembly (EA and EB) to the burner box (BA) and control panel (CA), as shown.

YOU WILL NEED:

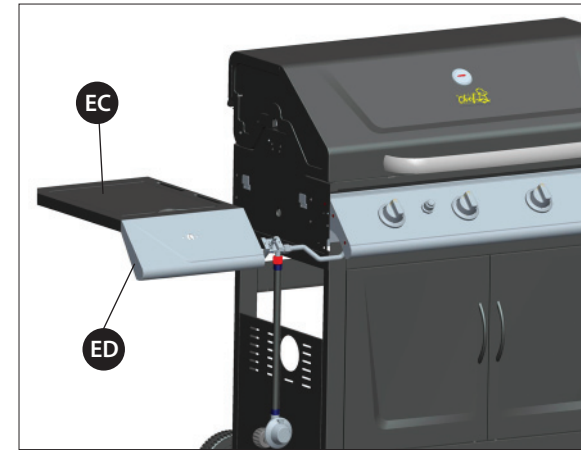


YOU WILL NEED:



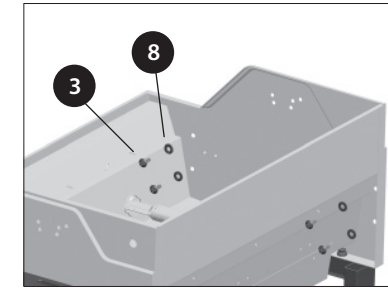
ASSEMBLY INSTRUCTIONS

9



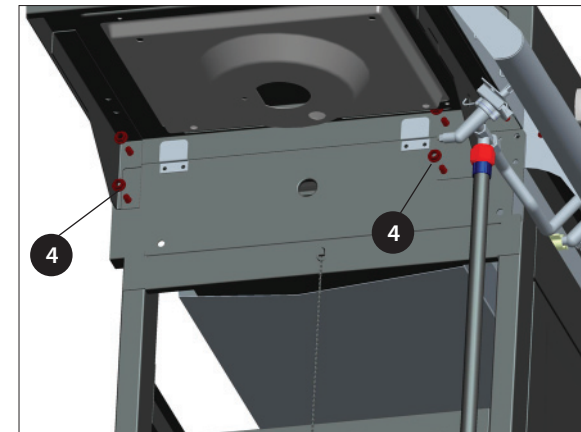
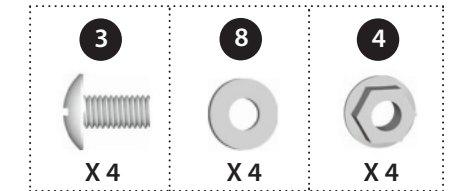
LEFT SIDE SHELF ASSEMBLY

TIP: To position the left side shelf assembly (EC and ED), insert the two hooks on the side shelf assembly into the two hooks, located on the left burner box side panel (BA).

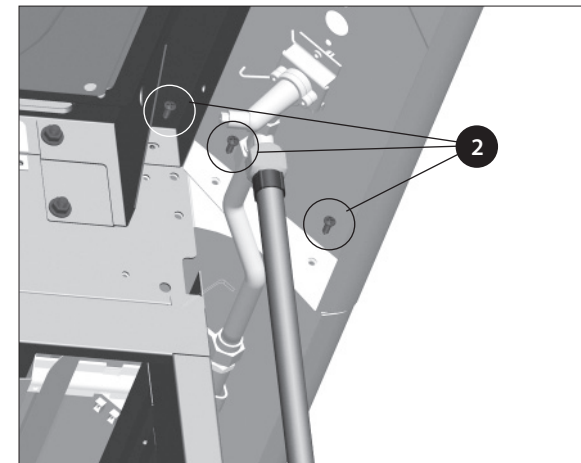
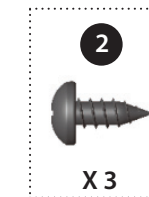


Assemble the left side shelf assembly (EC and ED) to the burner box (BA) and control panel (CA), as shown.

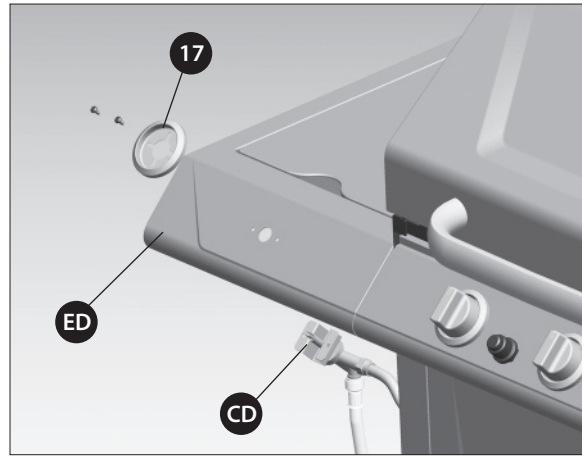
YOU WILL NEED:



YOU WILL NEED:



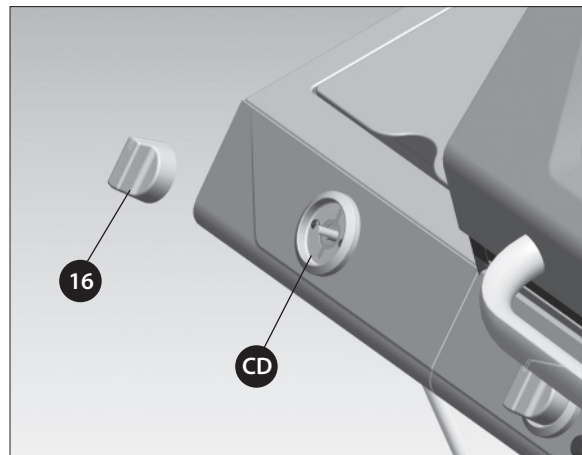
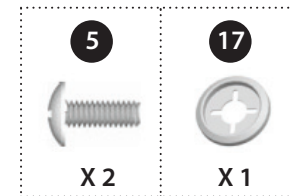
10



TWO PEOPLE REQUIRED IN THIS STEP.

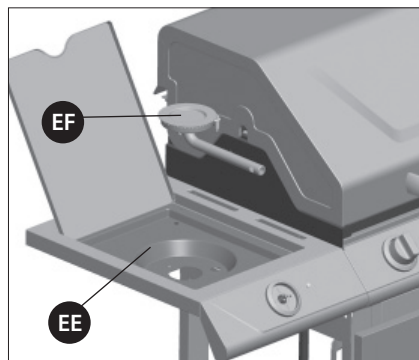
a. Insert the side burner valve stem (CD) through the back of the left side shelf fascia (ED). Position the bezel (#17) on the front of the left side shelf fascia (ED), and align all holes. Assemble all three parts together, as shown.

YOU WILL NEED:



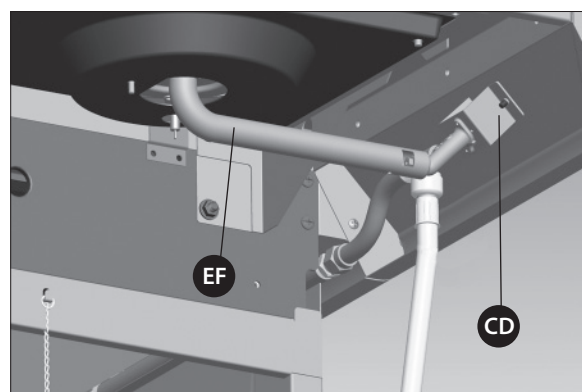
b. Assemble the side burner control knob (#16) to the side burner valve (CD).

YOU WILL NEED:

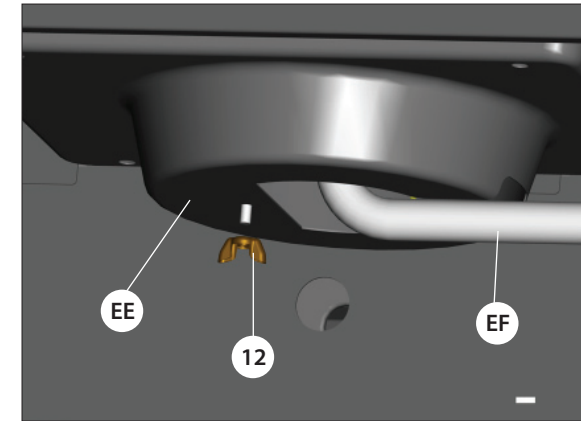


c. Position the side burner (EF) through the opening in the left side burner drip pan (EE).

Make sure that the side burner engages the side burner valve as shown.

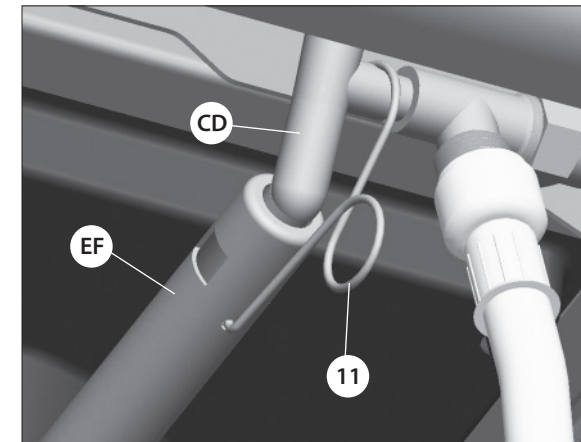


10



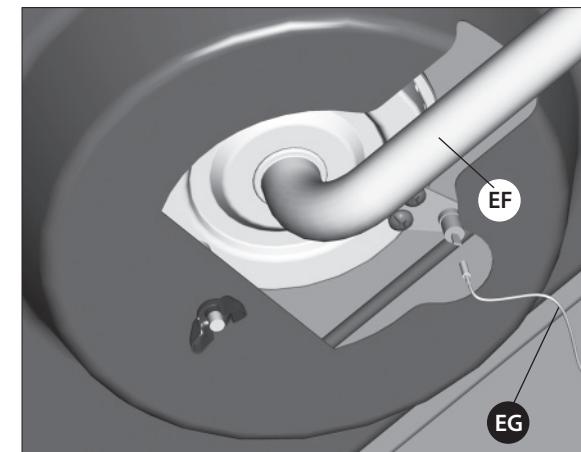
d. Using the wing nut (#12) provided, assemble the side burner (EF) to the side burner drip pan (EE), as shown.

YOU WILL NEED:

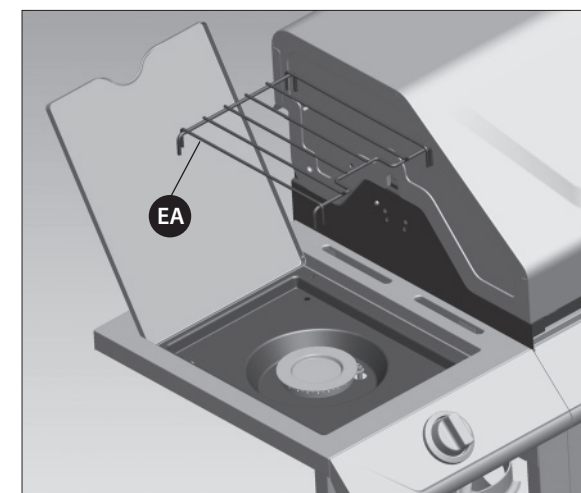


e. Use the side burner, venturi clip (#11) to connect the side burner (EF) to the side burner valve (CD).

YOU WILL NEED:



f. Attach the end of the side burner electrode wire (EG) to the underside of the side burner electrode, as shown. **Ensure that the wire is pushed in firmly.**



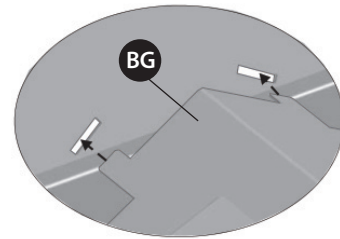
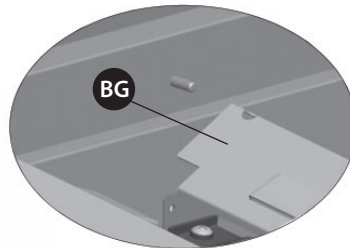
g. Place the side burner grate (EH) into position on the side burner shelf, as shown.

ASSEMBLY INSTRUCTIONS

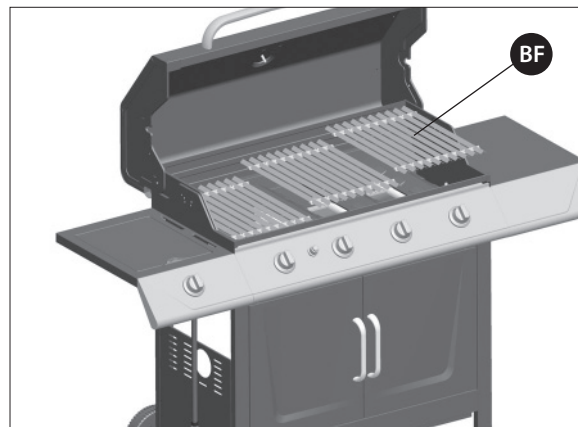
11



Place the flame tamers (BG) into the burner box assembly (BA), as shown.



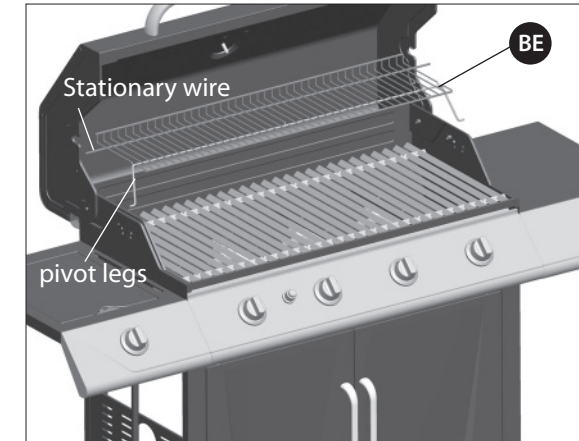
12



Place the cooking grates (BF) into the burner box assembly (BA), as shown.

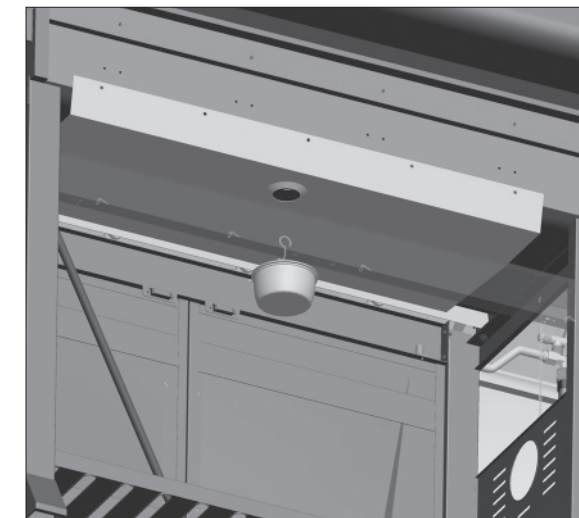
ASSEMBLY INSTRUCTIONS

13



To assemble the warming rack (BE), insert the stationary wire into the holes on the sides of the lid. Insert warming rack pivot legs into the holes on the inside of the burner box assembly (BA), as shown.

14

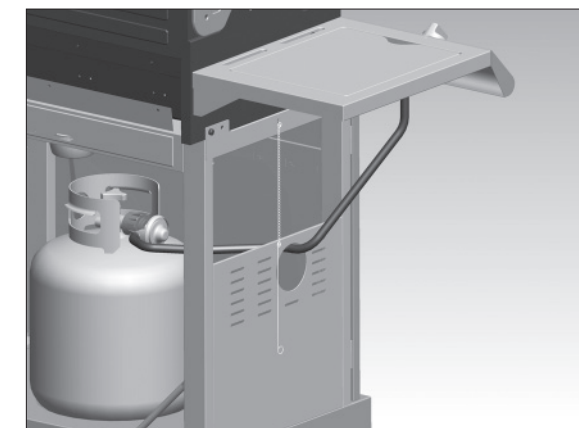


Hang the grease cup hook (CI) from the bottom of the burner box assembly (BA), and place grease cup (CJ) into position.

⚠ CAUTION ⚠

Failure to assemble grease cup hook (CI) and grease cup (CJ) will cause hot grease to drip from the bottom of the BBQ burner box, with the risk of fire, property damage, or personal injury.

ATTENTION: LP Cylinder is sold separately. Use only LP tanks that are equipped with an OPD (Overfill protection device). Fill and Leak check before attaching to the BBQ regulator (CE). See Safe Use and Care Manual (F3), leak test procedure for more information.

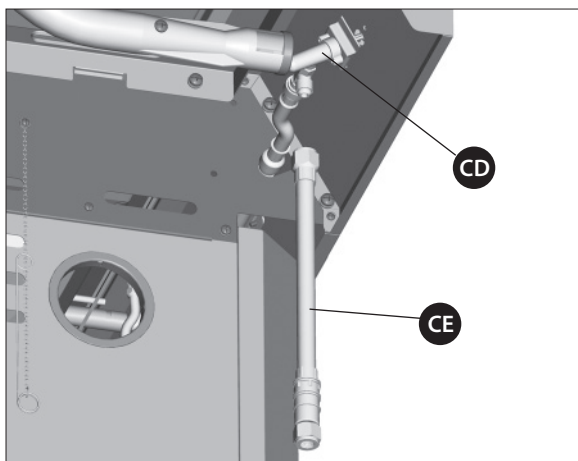


⚠ CAUTION ⚠

FOR YOUR SAFETY: Feed regulator (CE) through the hole located in the left cart side panel (DB), as shown in the image.

ASSEMBLY INSTRUCTIONS

15



NATURAL GAS MODELS ONLY

Attach the natural gas hose (CE) to the side burner valve fitting (CD), as shown.

ATTENTION: In order to complete installation of your natural gas BBQ a 1/2" or 3/8" adapter may be required to connect your BBQ's natural gas hose to your home gas supply. Contact your natural gas supplier to purchase the necessary part.

16



Electronic ignition battery not included.

Unscrew the electronic ignition button (CH2) and insert one AA battery into the electronic igniter battery compartment, with the positive end facing outward.