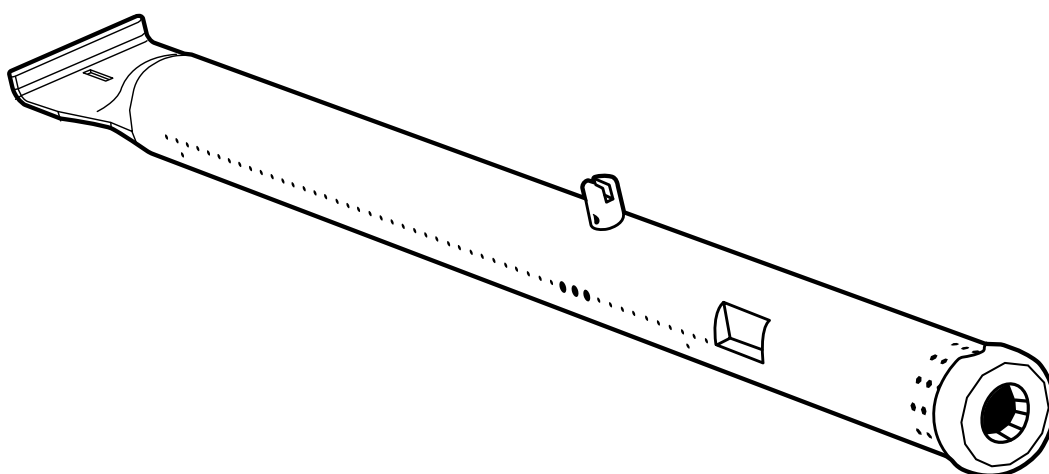


MASTER Chef™

15 3/4" TUBE BURNER

Part Number: 085-2339-2



CARE AND SAFETY INSTRUCTIONS

EXACT FIT FOR THE FOLLOWING MODELS:

085-3040-4 (G45301/G45306), 085-3041-2 (G45302/G45307),
085-3044-6 (G45303/G45308/G45311), 085-3045-4 (G45304/G45309/G45312),
085-3098-8 (G45313), 085-3099-6 (G45314), 085-3102-8 (G45321),
085-3103-6 (G45322), 085-3106-0 (G45315/G45319),
085-3107-8 (G45316/G45320), 085-3137-6 (G45323/G45324),
085-3138-4 (G45325), 098-1085-0 (G45326)

The Master Chef® Tube Burner is an OEM part for use with
Master Chef® Elite, Grill Turismo™, and E-Series 4 Burner Barbecues ONLY.

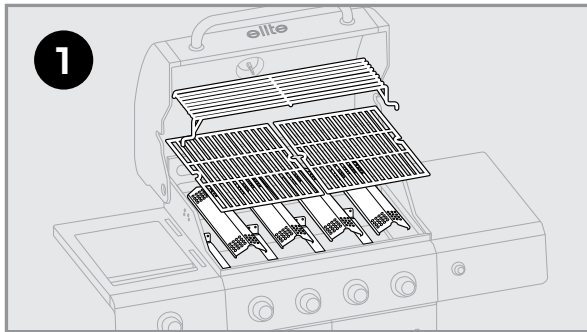
GRILL TURISMO™ elite

Read and save manual for future reference.

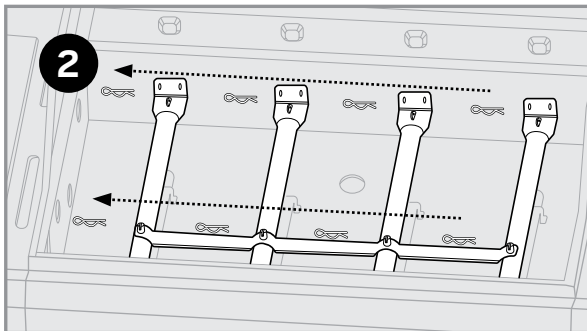
REPLACING YOUR BURNERS

ATTENTION:

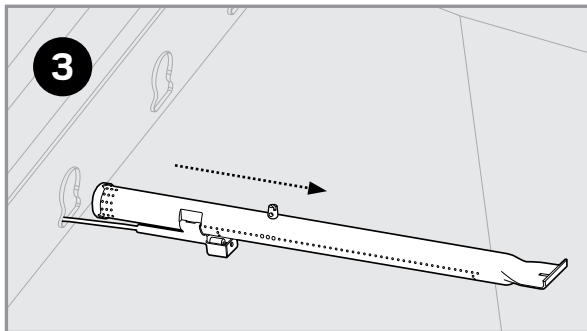
Move your barbecue to an open outdoor area prior to removing the old burner and installing the replacement. Ensure that the barbecue is cool before proceeding. The gas source and all controls must be in the OFF position before continuing.



1. Open the top lid. Remove the cooking grates and heat plates to reveal the burners. **Figure 1**



2. Remove the assembly hardware and the carryover assembly for each burner. **Figure 2**



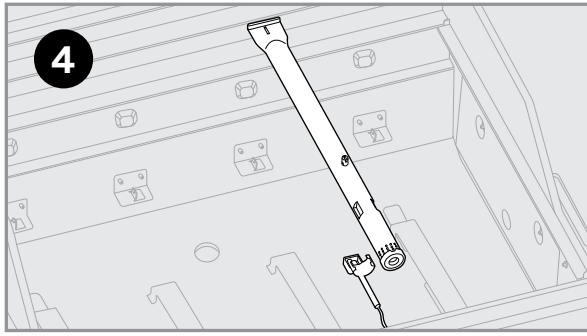
Remove all burners.

The lighting burner will have the main electrode clipped to the underside. Remove the electrode and set it down inside of the burner box. **Figure 3**

TIP:

It should be easy to un-clip the electrode without tools, but if necessary, use a screwdriver to assist in the removal.

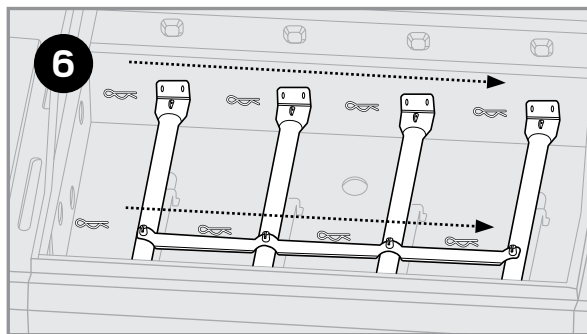
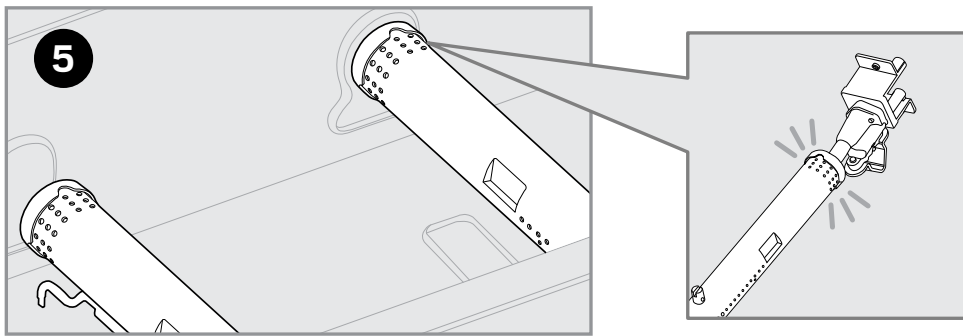
REPLACING YOUR BURNERS



3. When installing your new burners, start with the lighting burner. Attach the electrode clip to the underside of the burner. **Figure 4**

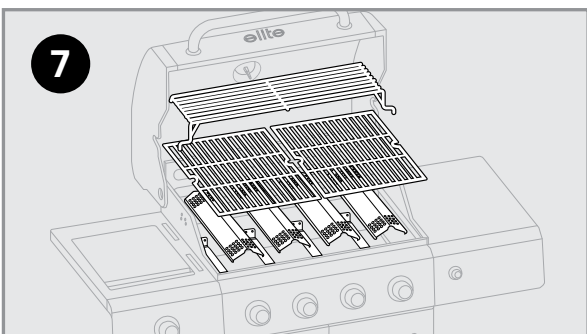
To install, align the front of the burner (burner venturi) with the gas valve. Ensure that the venturi is seated correctly over the valve gas jet before assembling hardware. **Figure 5**

Install all remaining burners, being careful to ensure proper alignment of the burner venturi over the gas valve. **Figure 5**



4. Use the new hardware included with your OEM burner to complete assembly.

Assemble the carryovers using the hitch pins removed in Step 2. **Figure 6**



5. Re-install heat plates and cooking grates. **Figure 7**

REPLACING YOUR BURNERS

CAUTION:

Before attempting to ignite your barbecue, for your safety, please conduct a visual check to ensure that the burners are aligned with the valves correctly, that all connections between the gas supply line and the barbecue are tightened, and finally that a complete leak test of the hose and regulator gas supply connection and manifold connection, is successfully completed. Please visit www.masterchefbbqs.com, or refer to your Master Chef® Safe Use and Care manual for additional information.

CLEANING YOUR MASTER CHEF® BURNERS

Perform at least a few times every season, or when your barbecue is not performing correctly.

CAUTION:

Always allow sufficient time for the barbecue to fully cool before handling or cleaning any of its parts

1. Remove the cooking grates and heat plates to reveal the burners.
2. To remove burners you must first remove the hardware used to assemble the burner into the burner box.
3. Remove the burners.
4. Brush the outer parts of the burner using a barbecue brush.
5. Using a flexible wire, open paper clip, or a drill bit, probe each port hole to clear it of webs, grime and rust.

CAUTION:

Do not use anything larger in diameter than the port hole itself as this may cause damage to the burner port holes.

6. Using a venturi brush, or bottle cleaning brush, clean the interior of the burner. Special care should be taken to make sure the brush passes through the entire burner interior.
7. Lightly tap the burner to remove any spider webs, nests or other residue that has been dislodged from the ports and tube. Compressed air can be used to flush out any debris.
8. Visually check the gas jets at the end of each of the valves, for dirt, and spider webs. Clean them if necessary.
9. Re-install burners using hardware removed. Ensure that the burners are installed correctly with venturi tubes seated correctly over valve gas jet before assembling hardware.
10. Re-install heat plates and cooking grates.

LIMITED 1-YEAR WARRANTY

Read and save manual for future reference. Assemble your burner immediately. Missing or damaged parts should be claimed within 30 days of purchase. For product inquires, parts, warranty and troubleshooting support, please call 1-855-453-2150.