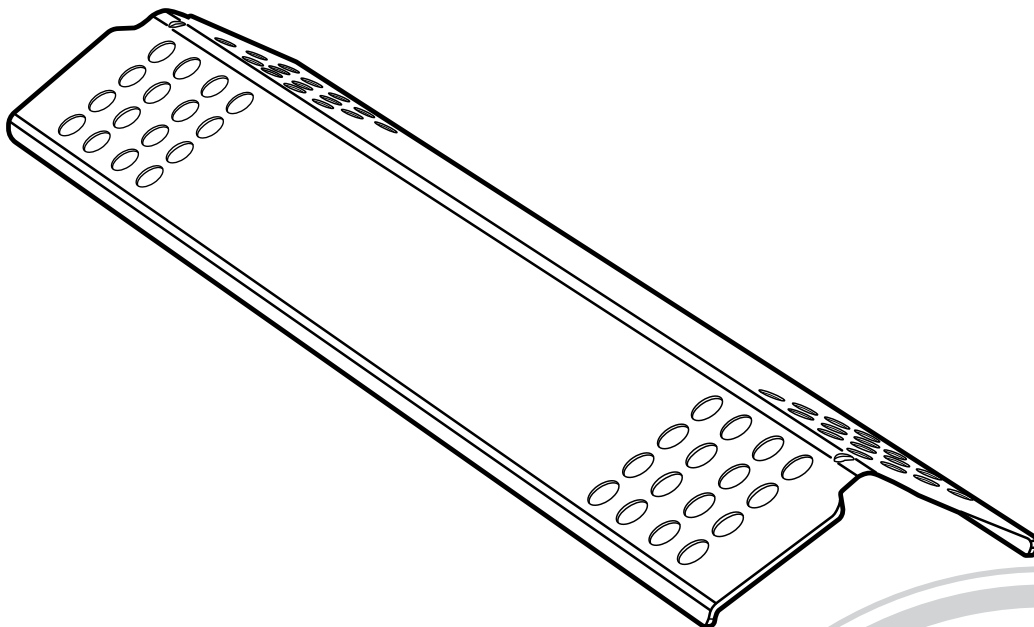


MASTER  
**Chef**<sup>™</sup>

## HEAT DISTRIBUTION PLATE

Part Number: 085-2337-6



### CARE AND SAFETY INSTRUCTIONS

#### EXACT FIT FOR THE FOLLOWING MODELS:

085-3040-4 (G45301/G45306), 085-3041-2 (G45302/G45307),  
085-3044-6 (G45303/G45308/G45311), 085-3045-4 (G45304/G45309/G45312)  
085-3098-8 (G45313), 085-3099-6 (G45314), 085-3102-8 (G45321),  
085-3103-6 (G45322), 085-3106-0 (G45315/G45319),  
085-3107-8 (G45316/G45320), 085-3137-6 (G45323/G45324),  
085-3138-4 (G45325), 098-1085-0 (G45326)

The Master Chef<sup>®</sup> Heat Distribution Plate is an OEM part for use with  
Master Chef<sup>®</sup> Elite, Grill Turismo<sup>™</sup>, and E-Series 4 Burner Barbecues ONLY.

**GRILL TURISMO**<sup>™</sup> elite

Read and save manual for future reference.

## CARE AND MAINTENANCE

### **BEFORE YOU INSTALL YOUR NEW HEAT PLATES:**

- Ensure that the barbecue is in the OFF position.
- Ensure that the barbecue is completely cool before attempting to remove parts.
- Open the barbecue lid.
- Remove cooking grates, and the damaged heat plates.

### **CLEAN THE INTERIOR COOK BOX**

Using a plastic scraper, remove any grease build up or food particles visible inside of the barbecues burner box.

### **INSTALL HEAT PLATES**

Position heat plates directly over burners. Ensure that they are seated correctly.

### **CARE AND CLEANING**

Your heat plates will protect burners from direct drippings of grease, fats, and salty marinades, distribute heat evenly across the cooking surface and incinerate grease drippings, creating the authentic barbecue flavours we love.

### **CAUTION:**

**When allowed to accumulate, the build-up of grease may cause a number of safety issues, including; flare-ups and grease fires. Failure to follow the steps outlined below may lead to rapid deterioration of this part, moisture damage or rust-through.**

1. Remove heat plates.
2. Use a grill brush to remove buildup. We recommend doing this over a large garbage receptacle.
3. Wash heat plates with mild soap and water.
4. Dry thoroughly.
5. Re-install.

### **ATTENTION:**

**Do not allow grease to build up on this part. Brush away build up regularly to ensure a safe barbecue experience.**

### **LIMITED 1-YEAR WARRANTY**

Read and save manual for future reference. Assemble your heat distribution plate immediately. Missing or damaged parts should be claimed within 30 days of purchase. For product inquiries, parts, warranty and troubleshooting support, please call 1-855-453-2150.