

MASTER
*Chef*TM
MC



S480 Barbecue Assembly Manual

85-3064-8 (G43257) Propane
85-3065-6 (G43258) Natural Gas
1 YEAR LIMITED WARRANTY

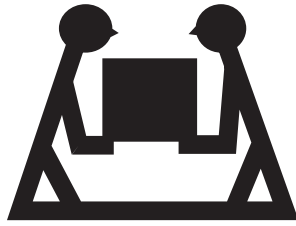
READ AND SAVE MANUAL FOR FUTURE REFERENCE.

Assemble your grill immediately.
Missing or damaged parts claims must be submitted within 30 days of purchase date.

**For product inquiries, parts, warranty and troubleshooting support,
please call 1-855-453-2150.**

Manual Revision #: 07302014 AT





HEAVY ARTICLE NEEDS 2 TO LIFT

THIS MANUAL MUST REMAIN WITH THE PRODUCT AT ALL TIMES

To ORDER non-warranty replacement parts or accessories, or to register your warranty, please visit us on the web at

www.masterchefbbqs.com

⚠ CAUTION

Sharp edges. Wear gloves when assembling your grill.

⚠ CAUTION

Read and follow all safety statements, assembly instructions, use and care directions before attempting to assemble and cook.

⚠ INSTALLER OR ASSEMBLER/CONSUMER

This manual should be kept with the BBQ at all times.

⚠ WARNING

Failure to follow all of the Manufacturer's instructions could result in hazardous fires, explosions, property damage, or serious personal injury or even death.

Follow all leak check procedures carefully prior to operation of barbecue, even if grill was dealer assembled. Do not try to light this barbecue without reading the Lighting Instructions section of this manual.

⚠ DANGER

1. If you smell Gas:
 - a. Shut off gas to the appliance
 - b. Extinguish any open flame
 - c. Open lid
 - d. If odor continues, keep away from the appliance and immediately call your gas supplier or your fire department
 2. Requires two people to complete the assembly process.
 3. Beware of sharp edges.
-

⚠ WARNING

1. Do not store or use gasoline or other flammable liquids or vapours in the vicinity of this or any other appliance.
 2. An LP cylinder not connected for use shall not be stored in the vicinity of this or any other appliance.
-

⚠ WARNING

IN DIRECT SUN, AND IN OPERATION, YOUR BBQ'S STAINLESS STEEL AND PAINTED STEEL PARTS CAN BECOME VERY HOT.

THIS BARBECUE IS FOR OUTDOOR USE ONLY

CONTACT CALL CENTRE IF ANY PARTS ARE MISSING

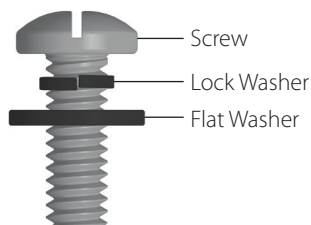
1-855-453-2150

HARDWARE PACK

TOOLS NEEDED FOR ASSEMBLY

- #2 Phillips screwdriver (long and short)
- ¼" Slotted screwdriver (long and short)
- Adjustable wrench
- Pliers

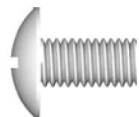
For correct hardware assembly, always position the lock washer between the screw and the flat washer.



KEY #	DESCRIPTION	PART NUMBER	QUANTITY
1	1/4"-20UNC X13 Screw	20120-13013-036	20
2	NO.10-24UNC X13 Screw	20124-10013-036	4
3	ST4.2X8 Tapping Screw	24200-42008-136	6
4	Wheel Spacer	G305-0024-9088	2
5	Hitch Pin	G306-0005-9088	1
6	Washer (Wheel)	40300-08000-036	1

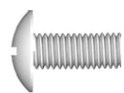
⚠ Caution:
Sheet metal can cause injury. Wear gloves when installing the grill.

1



1/4"-20UNC X13 Screw
X 20

2



NO.10-24UNC X13 Screw
X 4

3



ST4.2X8 Tapping Screw
X 6

4



Wheel Spacer
X 2

5



Hitch Pin
X 1

6



Washer (Wheel)
X 1

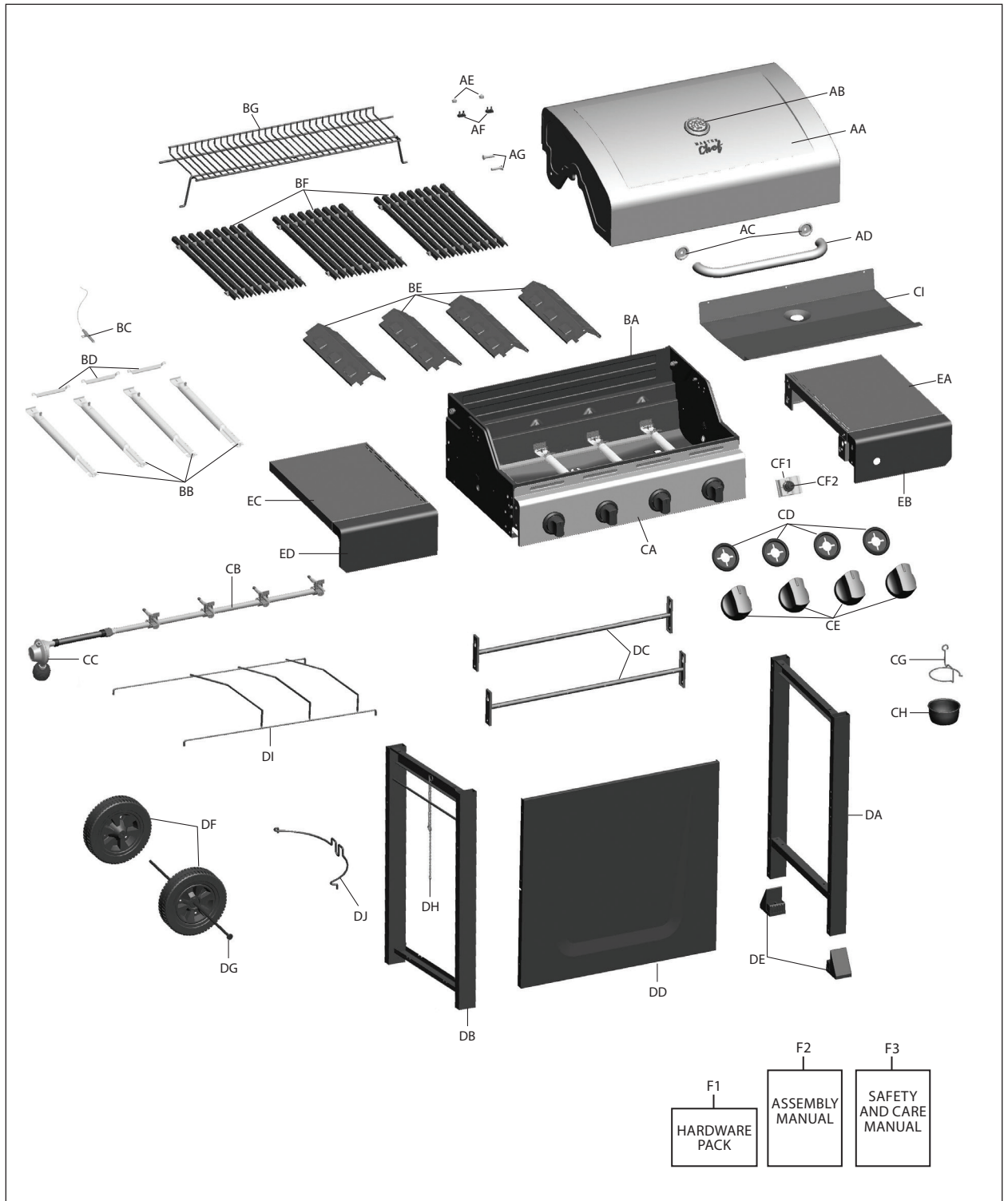
BEFORE ASSEMBLING THIS BARBECUE, READ THE INSTRUCTIONS CAREFULLY.

Assemble the barbecue on a flat, clean surface. Grill is heavy. Two people are recommended to complete assembly.

PARTS LIST (PROPANE) FOR 85-3064-8 (G43257)

KEY #	QUANTITY	DESCRIPTION	PART NO.
AA	1	Top lid assembly	G432-9D00-01
AB	1	Thermometer and bezel	G312-B201-01
AC	2	Lid handle brackets	G352-0015-01
AD	1	Top lid handle	G312-B203-01
AE	2	Lid bumpers-back	G303-0038-01
AF	2	Lid bumpers-front	G430-00B8-01
AG	2	Screws for lid	G430-0024-02
BA	1	Burner box assembly	G432-9R00-01
BB	4	Burner	G432-B600-01
BC	1	Electrode set, main burner	G439-0039-01
BD	3	Burner brace assembly	G432-0078-01
BE	4	Flame tamer	G430-0005-01
BF	3	Cooking grate	G432-1800-01
BG	1	Warming rack	G432-0001-01
CA	1	Control panel	G432-9Q00-01
CB	1	Manifold assembly	G432-9E00-01
CC	1	Regulator	G511-0031-01
CD	4	Bezel, control knob	G430-0027-02
CE	4	Control knob	G312-B102-01
CF1	1	Electronic ignition assembly	G409-0021-A2
CF2	1	Electronic ignition button	G409-0030-01
CG	1	Grease cup hook	G305-0043-01
CH	1	Grease cup	G430-0033-02
CI	1	Heat shield	G432-Q101-01
DA	1	Cart side panel, right	G451-0D00-01
DB	1	Cart side panel, left	G451-0C00-01
DC	2	Back Brace	G432-E300-01
DD	1	Front panel	G432-0033-01
DE	2	End caps	G430-0023-01
DF	2	Wheel	G210-0018-02
DG	1	Wheel axle	G430-0007-02
DH	1	Match holder	G401-0079-01
DI	1	Tank exclusion	G432-5302-01
DJ	1	Gas Tank Support	G307-0016-01
EA	1	Side shelf table, right	G312-BL00-01
EB	1	Side shelf fascia, right	G432-9S01-01
EC	1	Side shelf table, left	G432-9U00-01
ED	1	Side shelf fascia, left	G432-9C01-01
F1	1	Hardware pack	G432-B057-01
F2	1	Assembly instructions	G432-M057-01
F3	1	Safe use and care manual	G432-M057-02

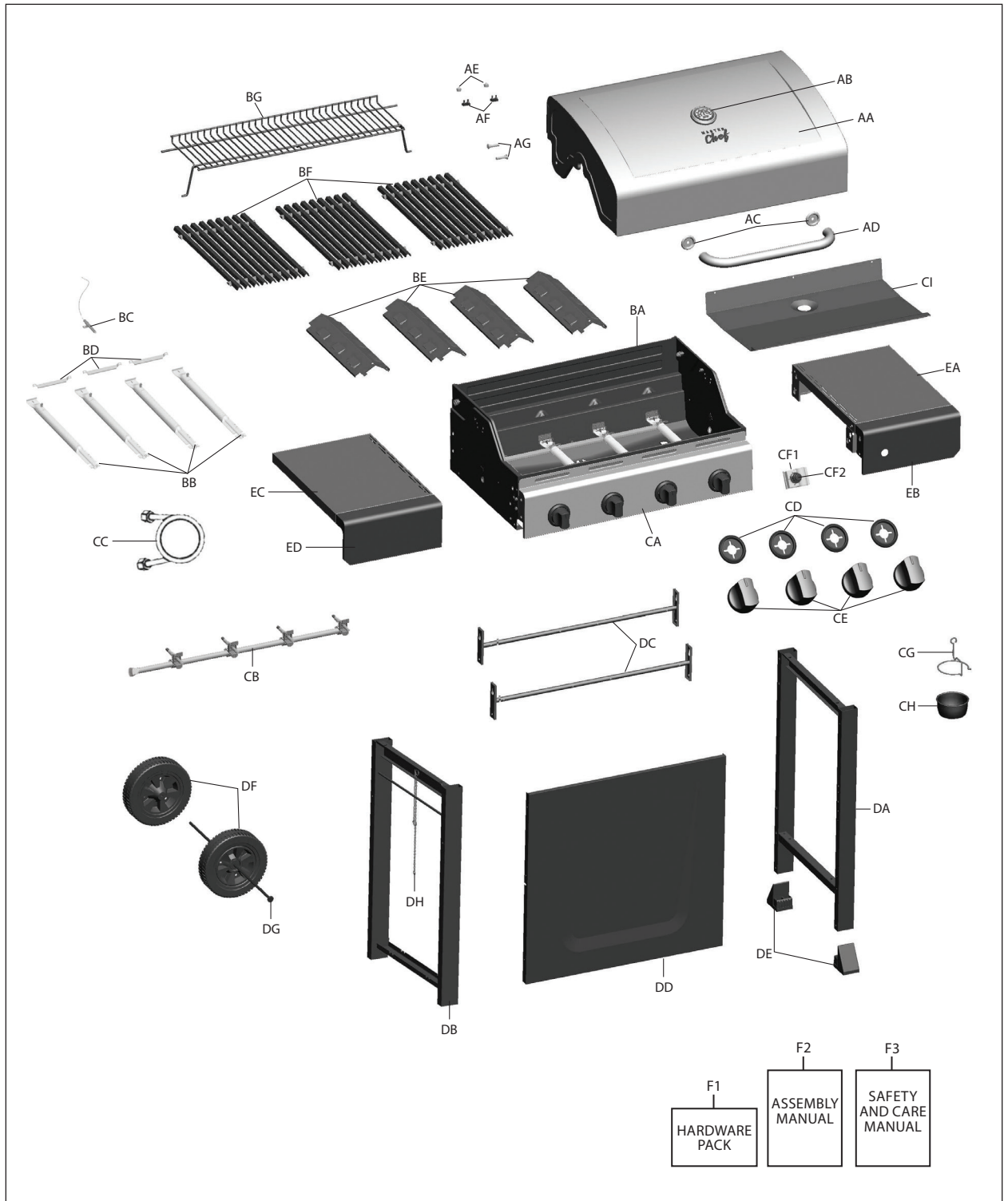
EXPLODED DIAGRAM (PROPANE) FOR 85-3064-8 (G43257)



PARTS LIST (NATURAL GAS) FOR 85-3065-6 (G43258)

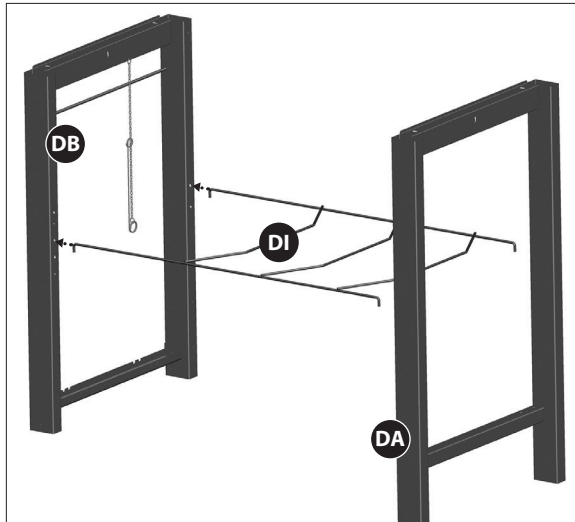
KEY #	QUANTITY	DESCRIPTION	PART NO.
AA	1	Top lid assembly	G432-9D00-01
AB	1	Thermometer and bezel	G312-B201-01
AC	2	Lid handle brackets	G352-0015-01
AD	1	Top lid handle	G312-B203-01
AE	2	Lid bumpers-back	G303-0038-01
AF	2	Lid bumpers-front	G430-00B8-01
AG	2	Screws for lid	G430-0024-02
BA	1	Burner box assembly	G432-9T00-01
BB	4	Burner	G432-B600-01
BC	1	Electrode set, main burner	G439-0039-01
BD	3	Burner brace assembly	G432-0078-01
BE	4	Flame tamer	G430-0005-01
BF	3	Cooking grate	G432-1800-01
BG	1	Warming rack	G432-0001-01
CA	1	Control Panel	G432-9Q00-01
CB	1	Manifold assembly	G432-9G00-01
CC	1	Natural gas hose	G501-0099-01
CD	4	Bezel, control knob	G430-0027-02
CE	4	Control knob	G312-B102-01
CF1	1	Electronic ignition assembly	G409-0021-A2
CF2	1	Electronic ignition button	G409-0030-01
CG	1	Grease cup hook	G305-0043-01
CH	1	Grease cup	G430-0033-02
CI	1	Heat shield	G432-Q101-01
DA	1	Cart side panel, right	G451-0D00-01
DB	1	Cart side panel, left	G451-0C00-01
DC	2	Back Brace	G432-E300-01
DD	1	Front panel	G432-0033-01
DE	2	End Caps	G430-0023-01
DF	2	Wheel	G210-0018-02
DG	1	Wheel Axle	G430-0007-02
DH	1	Match holder	G401-0079-01
EA	1	Side shelf table, right	G312-BL00-01
EB	1	Side shelf fascia, right	G432-9S01-01
EC	1	Side shelf table, left	G432-9U00-01
ED	1	Side shelf fascia, left	G432-9C01-01
F1	1	Hardware pack	G432-B057-01
F2	1	Assembly instructions	G432-M057-01
F3	1	Safe use and care manual	G432-M057-02

EXPLODED DIAGRAM (NATURAL GAS) FOR 85-3065-6 (G43258)

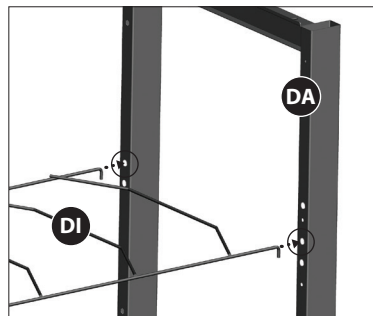


ASSEMBLY INSTRUCTIONS

1



Front View



Close Up

**PROPANE MODEL ONLY.
NATURAL GAS MODEL WILL NOT
HAVE TANK EXCLUSION (DI) AS
SHOWN.**

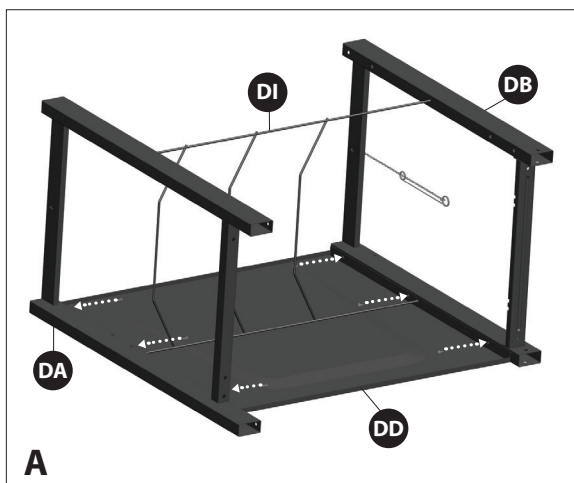
Note: You will need two people for this step.

Assemble the tank exclusion (DI) to the left and right cart side panels (DB, DA), as shown.

Note: The left cart side panel (DB) will have large holes on the end of the legs for assembling the wheel axle (DG).

Note: the tank exclusion should sit in the middle hole on the left and right side panel.

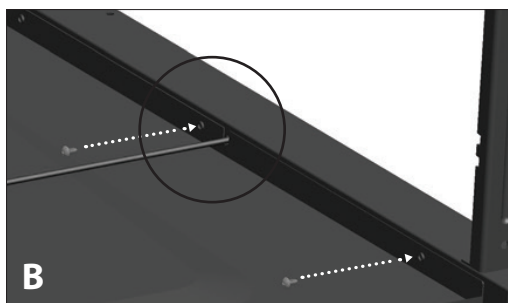
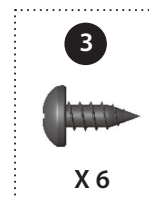
2



A

a. Assemble the front panel (DD) to the left and right cart side panels (DB and DA) as shown.

YOU WILL NEED:

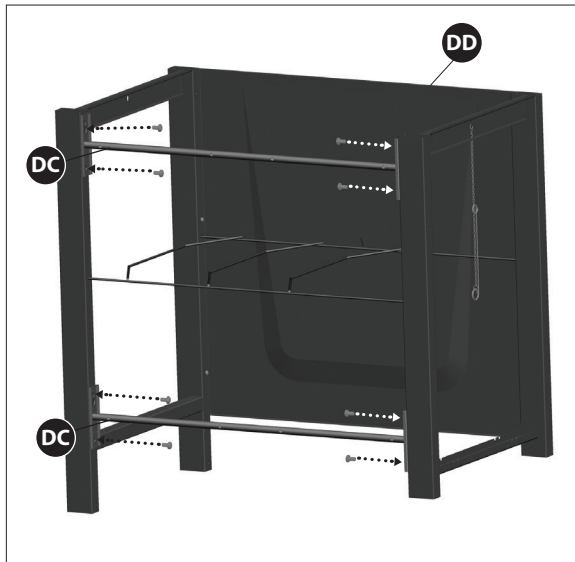


Close Up

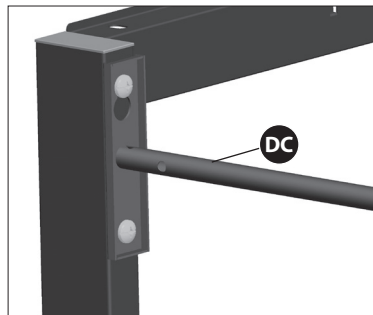
b. Ensure that the slots on the tank exclusion (DI) align with the slots on the front panel.

ASSEMBLY INSTRUCTIONS

3



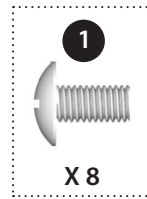
Back View



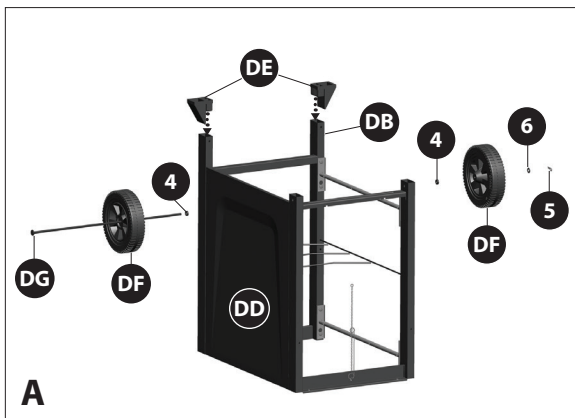
Close Up

Assemble two back braces (DC) to the left and right cart side panels (DB and DA) as shown.

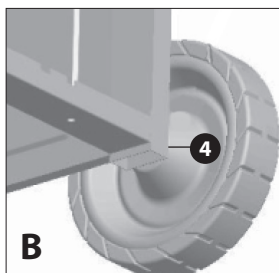
YOU WILL NEED:



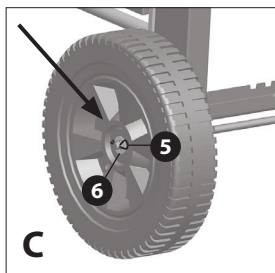
4



A



Close up

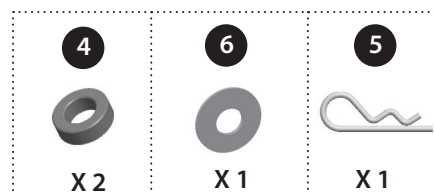


Close up

Note: Turn Cart assembly upside down.

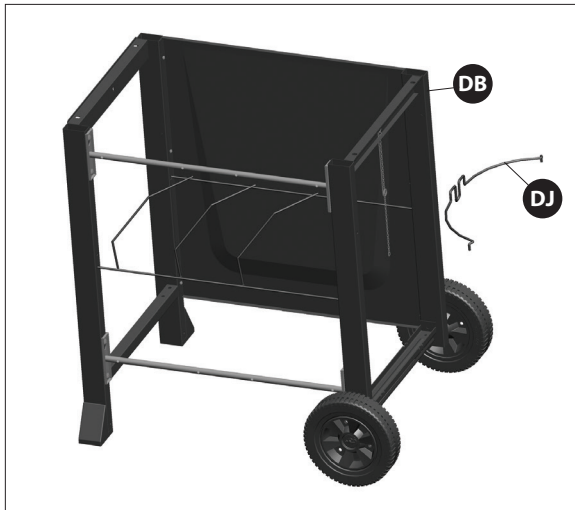
- Place wheel (DF) and wheel spacer (#4) onto the wheel axle (DG). "Cone" side of wheel should be against cart side panel, figure B.
- Insert wheel axle assembly (DG) through wheel axle hole in the front and rear of the left cart side panel (DB), as shown.
- To complete wheel assembly position the wheel spacer (#4), wheel (DF), wheel washer (#6) and hitch pin (#5), onto wheel axle (DG) as shown.
- Insert end caps (DE) into right cart side panel (DA).

YOU WILL NEED:

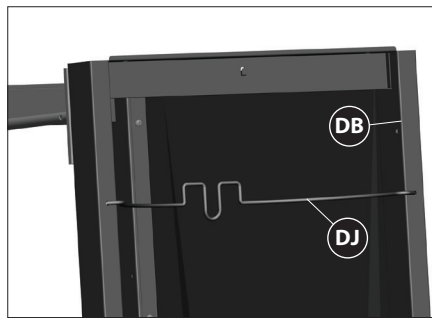


ASSEMBLY INSTRUCTIONS

5



Back View

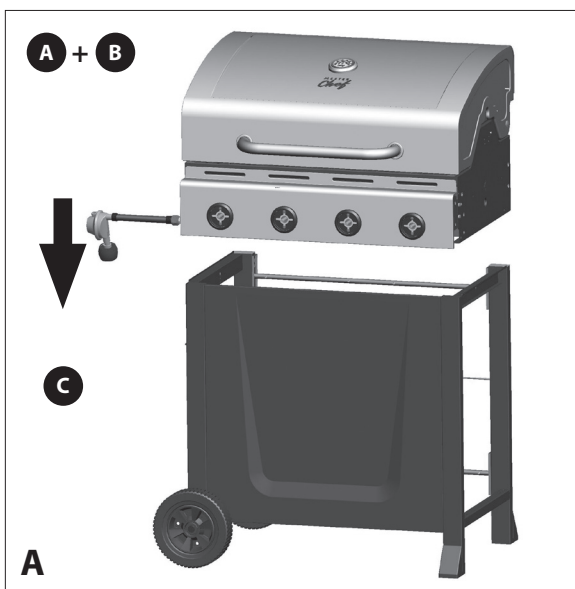


Close up

PROPANE MODEL ONLY.

Assemble the gas tank support (DJ) to left cart side panel (DB).

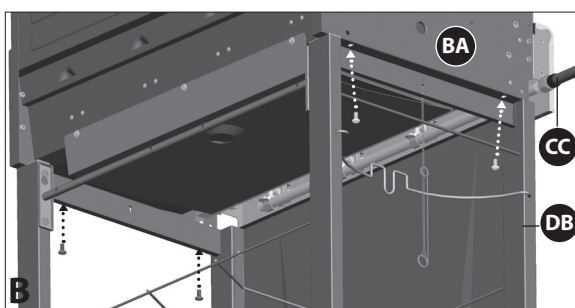
6



A

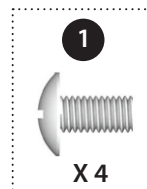
Note: TWO PEOPLE required for this step. Ensure that the regulator hose (CC) (Propane models only) is hanging outside of cart.

Position the lid and burner box assembly (A&B), onto the cart assembly (C), and assemble.



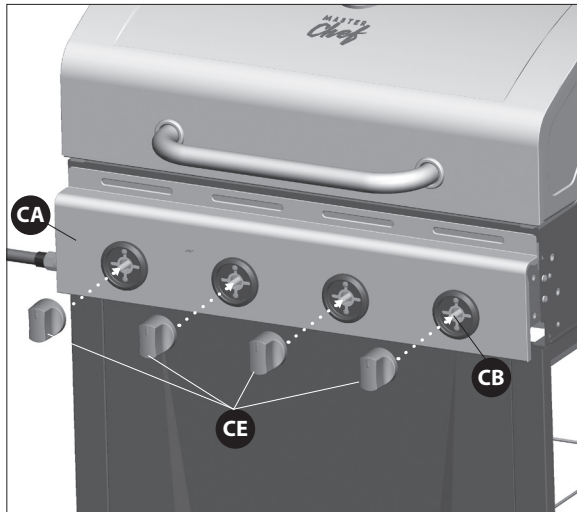
B

YOU WILL NEED:



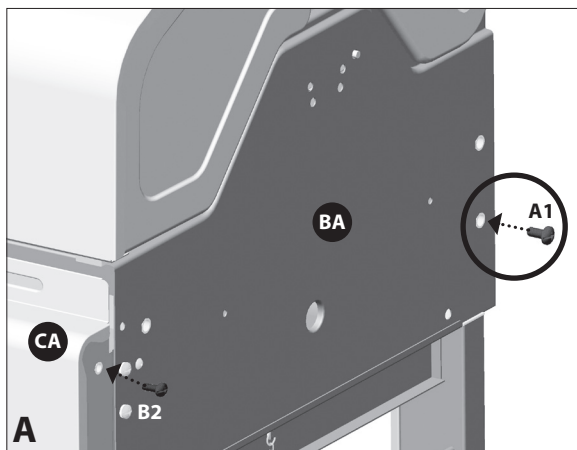
ASSEMBLY INSTRUCTIONS

7



Assemble the control knobs (CE) onto the valve stems of the manifold assembly (CB) located on the control panel (CA).

8



Right side view



Close Up

RIGHT SIDE SHELF ASSEMBLY

a. Assemble the hardware to the burner box assembly (BA) and control panel (CA).
Do not tighten.

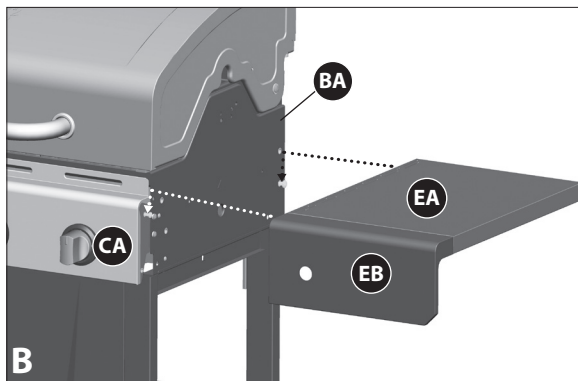
YOU WILL NEED:

A1	B2
1	2
X 1	X 1

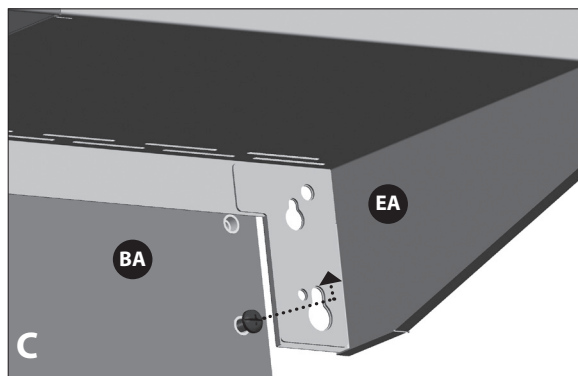
TIP: Only assemble to brass nut.

ASSEMBLY INSTRUCTIONS

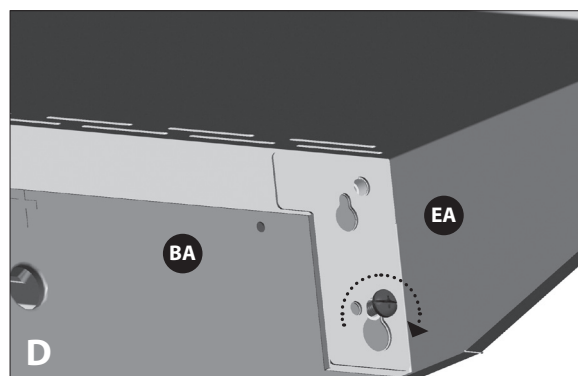
8



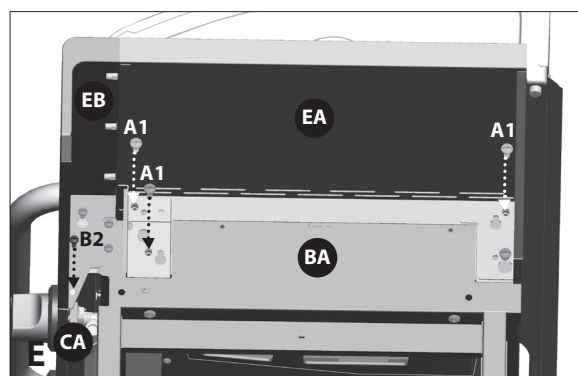
B
Right side view



C
Back view, under right side shelf



D
Back view, under right side shelf



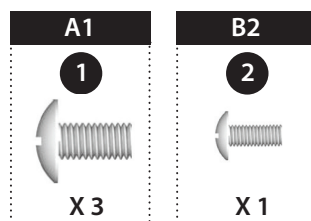
E
View, under right side shelf

b. Position the right side shelf assembly (EA and EB) onto the hardware half-tightened in Step 8A, as shown in figure B and C.

c. Tighten screws.

d. Assemble the right side shelf assembly (EA and EB) to the control panel (CA) and the burner box assembly (BA), as shown in figure E.

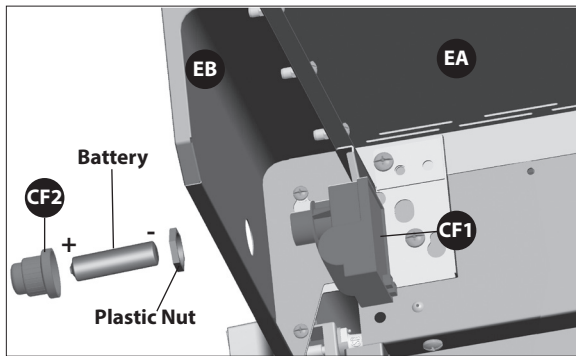
YOU WILL NEED:



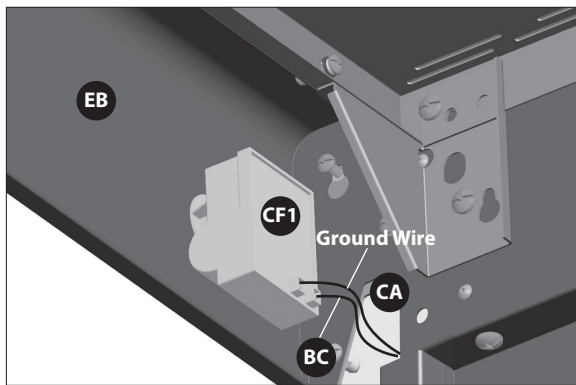
TIP: Only assemble to brass nut.

ASSEMBLY INSTRUCTIONS

9



View under right side shelf



View under right side shelf

ELECTRONIC IGNITION ASSEMBLY

- Remove the ignition battery cover (CF2) and the plastic nut from the electronic ignition box (CF1).
- Position the electronic ignition box (CF1) through the opening in the right side shelf fascia (EB) and secure using the plastic nut.
- Insert one "AA" battery into the battery compartment (CF1) with the positive end facing outward, as shown. Securing using the ignition battery cover (CF2).

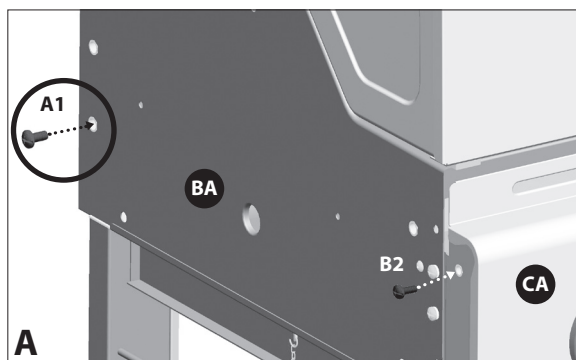
*** Battery not included.**

- Insert the main burner electrode (BC) and the ground wire into the Electronic Ignition Assembly (CF1).

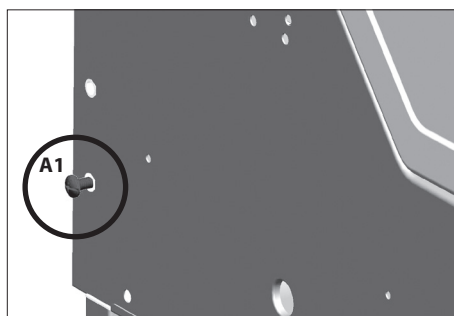
Note: the ground wire and main burner electrode wire connection points are the same.

Ensure that the wire is pushed in firmly.

10



Left side view

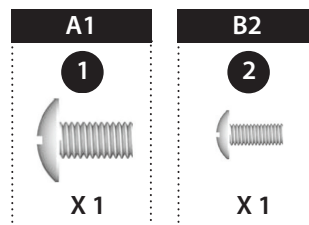


Close Up

LEFT SIDE SHELF ASSEMBLY

- Assemble the hardware to the burner box assembly (BA) and control panel (CA). Do not tighten.

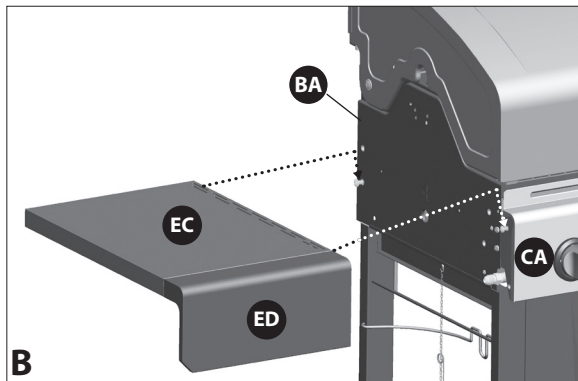
YOU WILL NEED:



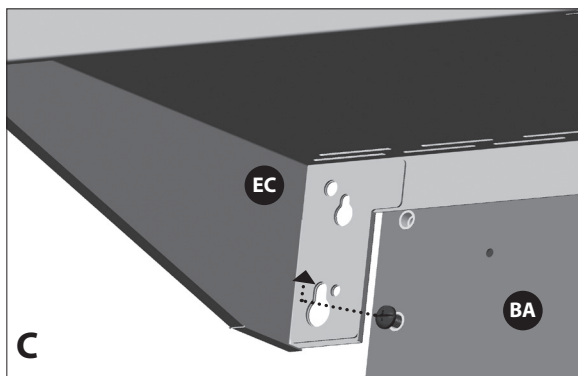
TIP: Only assemble to brass nut.

ASSEMBLY INSTRUCTIONS

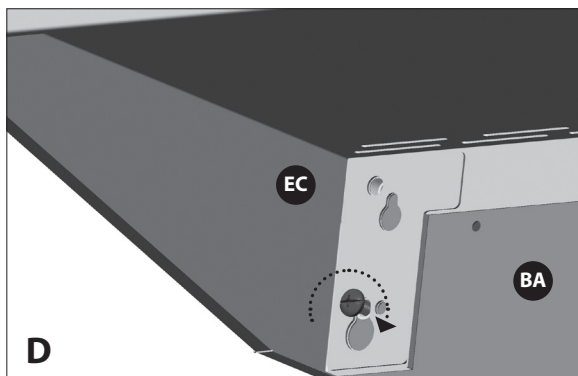
10



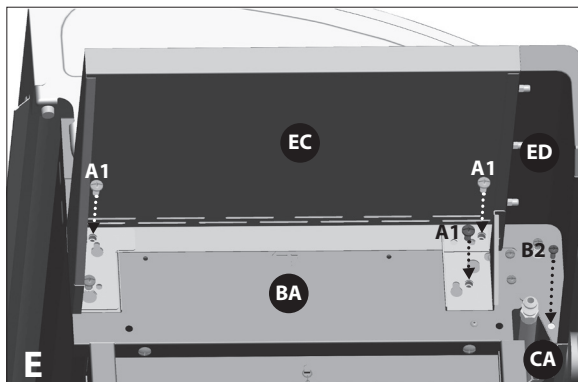
B
Left side view



C
Back view, under left side shelf



D
Back view, under left side shelf



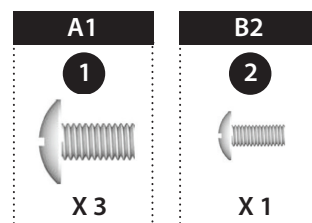
E
View, under left side shelf

b. Position the left side shelf (EC and ED) onto the hardware half-tightened in Step 10A, as shown in figure B and C.

c. Tighten screws.

d. Assemble the left side shelf assembly (EC and ED) to the control panel (CA) and the burner box assembly (BA), as shown in figure E.

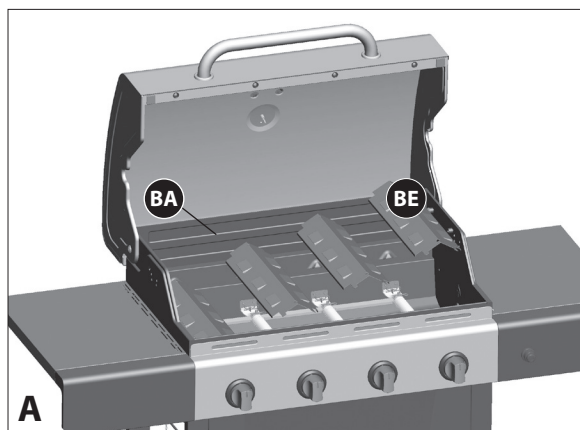
YOU WILL NEED:



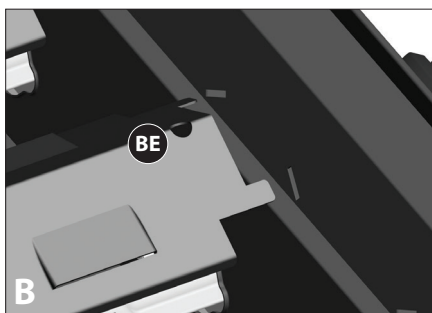
TIP: Only assemble to brass nut.

ASSEMBLY INSTRUCTIONS

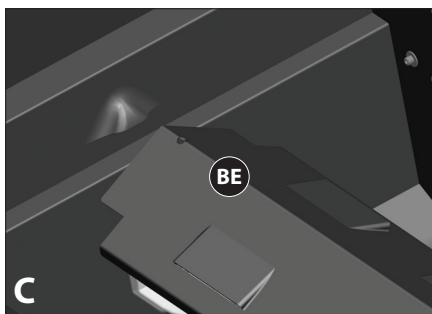
11



Place the flame tamers (BE) into the burner box assembly (BA).

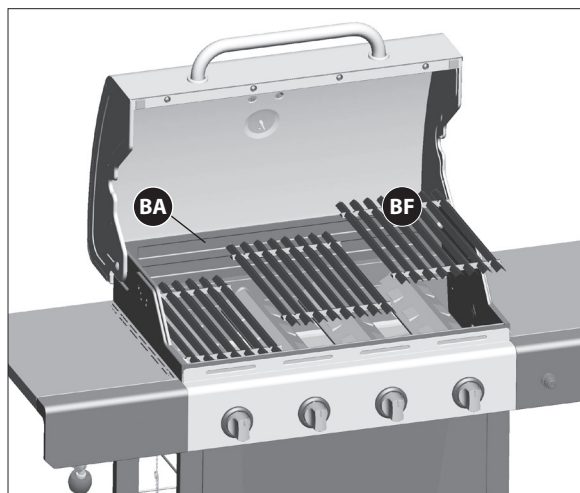


Close up, front view



Close up, back view

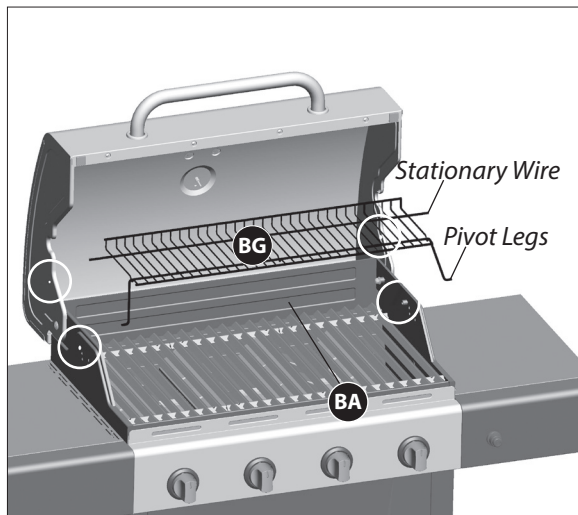
12



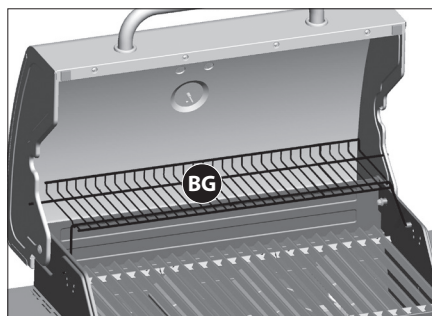
Place the cooking grates (BF) into the burner box assembly (BA).

ASSEMBLY INSTRUCTIONS

13

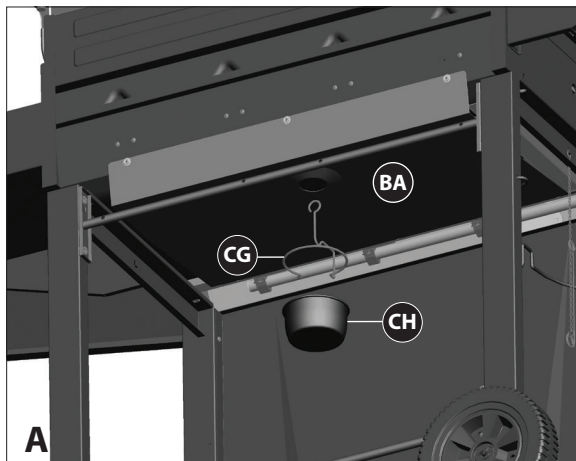


To assemble the warming rack (BG), insert the stationary wire into the holes on the sides of the lid. Insert warming rack pivot legs into the holes on the inside of the burner box assembly (BA), as shown.



Close up

14



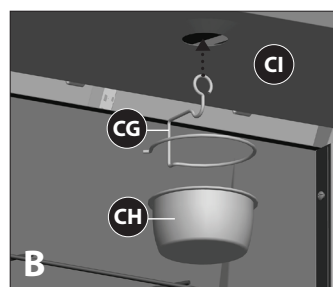
View from underneath burner box

Hang the grease cup hook (CG) from the bottom of the burner box (BA), and place grease cup (CH) into position.

PROPANE MODEL SHOWN

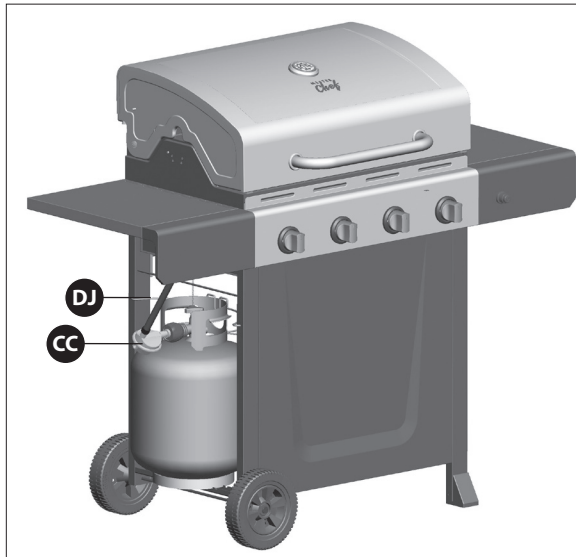
⚠ CAUTION ⚠

Failure to assemble grease cup hook and grease cup will cause hot grease to drip from the bottom of the BBQ burner box, with the risk of fire, property damage, or personal injury.



Close up

15



PROPANE MODEL SHOWN

FOR NATURAL GAS MODEL, FOLLOW STEP 16.

Position the 20lb propane tank into the notches located on the bottom of the left cart side panel (DB). Position the gas tank support (DJ) onto the tank collar. Attach the regulator coupling nut (CC) to the propane tank valve.

⚠ ATTENTION ⚠

LP Cylinder is sold separately.

Use only LP tanks that are equipped with an OPD (Overfill protection device). Fill and leak check before attaching to the BBQ hose and regulator. See Safe Use and Care Manual, leak test procedure for more information

⚠ WARNING ⚠

When assembling regulator onto LP cylinder, ensure that the regulator is assembled below the support bar, as shown.

⚠ CAUTION ⚠

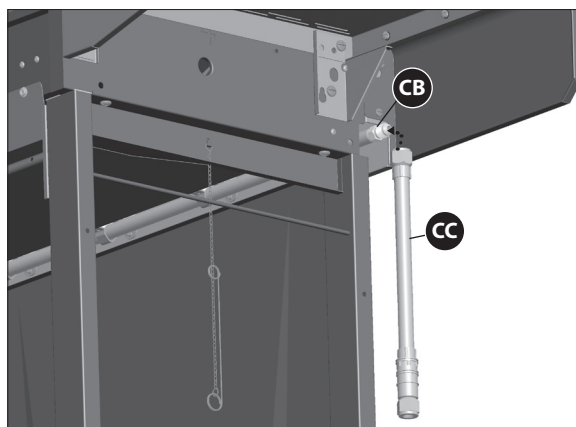
Cylinder valve must face to the front of cart once the tank is attached.

Failure to install cylinder correctly may allow gas hose to be damaged in operation, resulting in fire.

⚠ WARNING ⚠

Always keep LP cylinder in upright position during use, transport and storage.

16



View, under left side shelf

NATURAL GAS MODELS ONLY

Attach the natural gas hose (CC) to the manifold (CB), as shown.

⚠ ATTENTION ⚠

In order to complete installation of your natural gas BBQ a 1/2" or 3/8" adapter may be required to connect your BBQ's natural gas hose to your home gas supply. Contact your natural gas supplier to purchase the necessary part.



Visit **www.masterchefbbqs.com**
to complete product registration

Master Chef® Customer Service
1-855-453-2150