

MASTER  
*Chef*<sup>TM</sup>  
MC



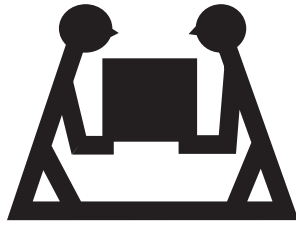
# S420 Barbecue Assembly Manual

85-3062-2 (G45123) Propane  
85-3063-0 (G45124) Natural Gas  
**1 YEAR LIMITED WARRANTY**

**READ AND SAVE MANUAL FOR FUTURE REFERENCE.**

Assemble your grill immediately.  
Missing or damaged parts claims must be submitted within 30 days of purchase date.

**For product inquiries, parts, warranty and troubleshooting support,  
please call 1-855-453-2150.**



**HEAVY ARTICLE NEEDS 2 TO LIFT**

**THIS MANUAL MUST REMAIN WITH THE PRODUCT AT ALL TIMES**

To ORDER non-warranty replacement parts or accessories, or to register your warranty, please visit us on the web at

[www.masterchefbbqs.com](http://www.masterchefbbqs.com)

---

**⚠ CAUTION**

Sharp edges. Wear gloves when assembling your grill.

---

**⚠ CAUTION**

Read and follow all safety statements, assembly instructions, use and care directions before attempting to assemble and cook.

---

**⚠ INSTALLER OR ASSEMBLER/CONSUMER**

This manual should be kept with the BBQ at all times.

---

**⚠ WARNING**

Failure to follow all of the Manufacturer's instructions could result in hazardous fires, explosions, property damage, or serious personal injury or even death.

Follow all leak check procedures carefully prior to operation of barbecue, even if grill was dealer assembled. Do not try to light this barbecue without reading the Lighting Instructions section of this manual.

---

---

**⚠ DANGER**

1. If you smell Gas:
    - a. Shut off gas to the appliance
    - b. Extinguish any open flame
    - c. Open lid
    - d. If odor continues, keep away from the appliance and immediately call your gas supplier or your fire department
  2. Requires two people to complete the assembly process.
  3. Beware of sharp edges.
- 

**⚠ WARNING**

1. Do not store or use gasoline or other flammable liquids or vapours in the vicinity of this or any other appliance.
  2. An LP cylinder not connected for use shall not be stored in the vicinity of this or any other appliance.
- 

**⚠ WARNING**

IN DIRECT SUN, AND IN OPERATION, YOUR BBQ'S STAINLESS STEEL AND PAINTED STEEL PARTS CAN BECOME VERY HOT.

---

**THIS BARBECUE IS FOR OUTDOOR USE ONLY**

**CONTACT CALL CENTRE IF ANY PARTS ARE MISSING**

**1-855-453-2150**

# HARDWARE PACK

## TOOLS NEEDED FOR ASSEMBLY

- #2 Phillips screwdriver (long and short)
- ¼" Slotted screwdriver (long and short)
- Adjustable wrench
- Pliers

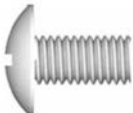






**Before assembling the barbecue, read these instructions carefully.**

Assemble the barbecue on a flat, clean surface. Grill is heavy. You should have at least two people assemble the barbecue together.

**Notes: Do not fully tighten all the nuts during this initial stage.**

KEY #	DESCRIPTION	PART NUMBER	QUANTITY
1	1/4" x 13mm Screw	20120-13013-036	20
2	1/4"-20UNC Nut	31220-13000-036	8
3	#8X3/8" Self Tapping Screw	24200-42008-136	12
4	φ7 Fiber Washer	G431-0018-9000	8
5	Wheel Spacer	G305-0024-9088	2
6	Hitch Pin	G306-0005-9088	1
7	Washer (Wheel)	40300-08000-036	1

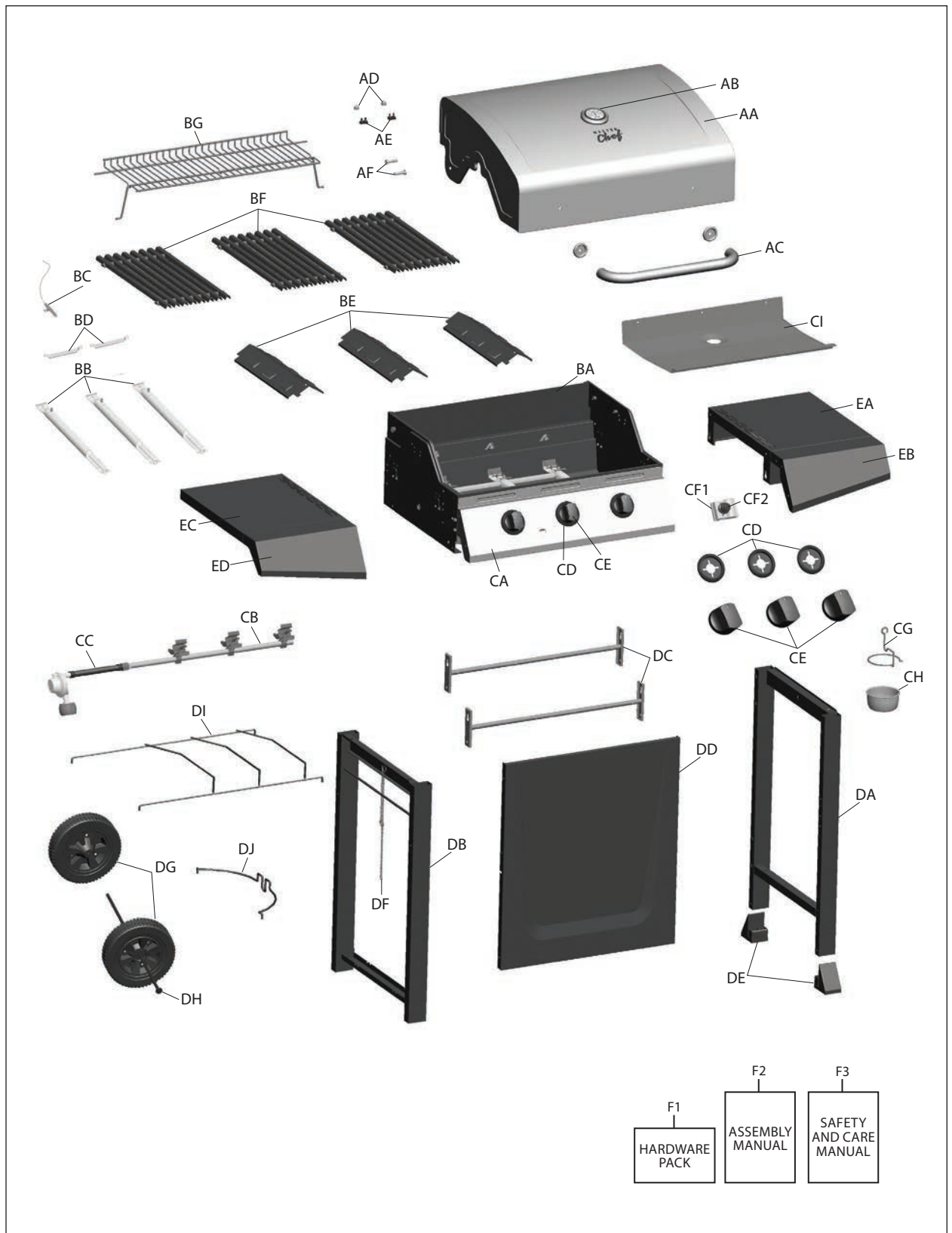
**⚠ Caution:**  
Sheet metal can cause injury. Wear gloves when installing the grill.

<p><b>1</b></p>  <p>1/4" x 13mm Screw X 20</p>	<p><b>2</b></p>  <p>1/4" - 20UNC Nut X 8</p>	<p><b>3</b></p>  <p>#8X3/8" Self Tapping Screw X 12</p>
<p><b>4</b></p>  <p>φ7 Fiber Washer X 8</p>	<p><b>5</b></p>  <p>Wheel Spacer X 2</p>	<p><b>6</b></p>  <p>Hitch Pin X 1</p>
<p><b>7</b></p>  <p>Washer (Wheel) X 1</p>		

## PARTS LIST (PROPANE) FOR 85-3062-2 (G45123)

KEY #	QUANTITY	DESCRIPTION	PART NO.
AA	1	Top Lid Assembly	G451-0E00-01
AB	1	Thermometer and bezel	G432-000K-01
AC	1	Top Lid Handle	G451-0063-01
AD	2	Lid Bumbers-Back	G303-0038-01
AE	2	Lid Bumbers-Front	G430-00B8-01
AF	2	Screws For Lid	G430-0024-01
BA	1	Burner Box Assembly	G451-0H00-01
BB	3	Burner	G432-B600-01
BC	1	Electrode Set,Main Burners	G501-0010-01
BD	2	Burner Brace Assembly	G432-0078-01
BE	3	Flame Tamers	G430-0005-01
BF	3	Cooking Grates	G451-1200-01
BG	1	Warming Rack	G430-0003-01
CA	1	Control Panel	G451-0064-01
CB	1	Manifold Assembly	G451-P200-01
CC	1	Regulator	G511-0031-01
CD	3	Bezel, control knob	G430-0027-02
CE	3	Control Knob	G432-0090-01
CF1	1	Electronic Ignition Assembly	G409-0021-A1
CF2	1	Electronic Ignition Button	G409-0030-01
CG	1	Grease Cup Hook	G305-0043-01
CH	1	Grease Cup	G430-0033-02
CI	1	Heat Shield	G451-6201-01
DA	1	Cart Side Panel,Right	G451-0D00-01
DB	1	Cart Side Panel,Left	G451-0C00-01
DC	2	Back Brace	G459-1100-01
DD	1	Front Panel	G451-0005-02
DE	2	End Caps	G431-0004-01
DF	1	Match Holder	G401-0079-01
DG	2	Wheel	G210-0018-02
DH	1	Wheel Axle	G430-0007-01
DI	1	Tank exclusion	G430-5402-01
DJ	1	Gas Tank Support	G307-0016-01
EA	1	Side Shelf Table(right)	G451-0B00-01
EB	1	Side Shelf Fascia(right)	G451-0061-01
EC	1	Side Shelf Table(left)	G451-0A00-01
ED	1	Side Shelf Fascia(left)	G451-0060-01
F1	1	Hardware Pack	G451-B023-01
F2	1	Assembly Instructions	G451-M023-01
F3	1	Safe Use and Care Manual	G451-M018-02

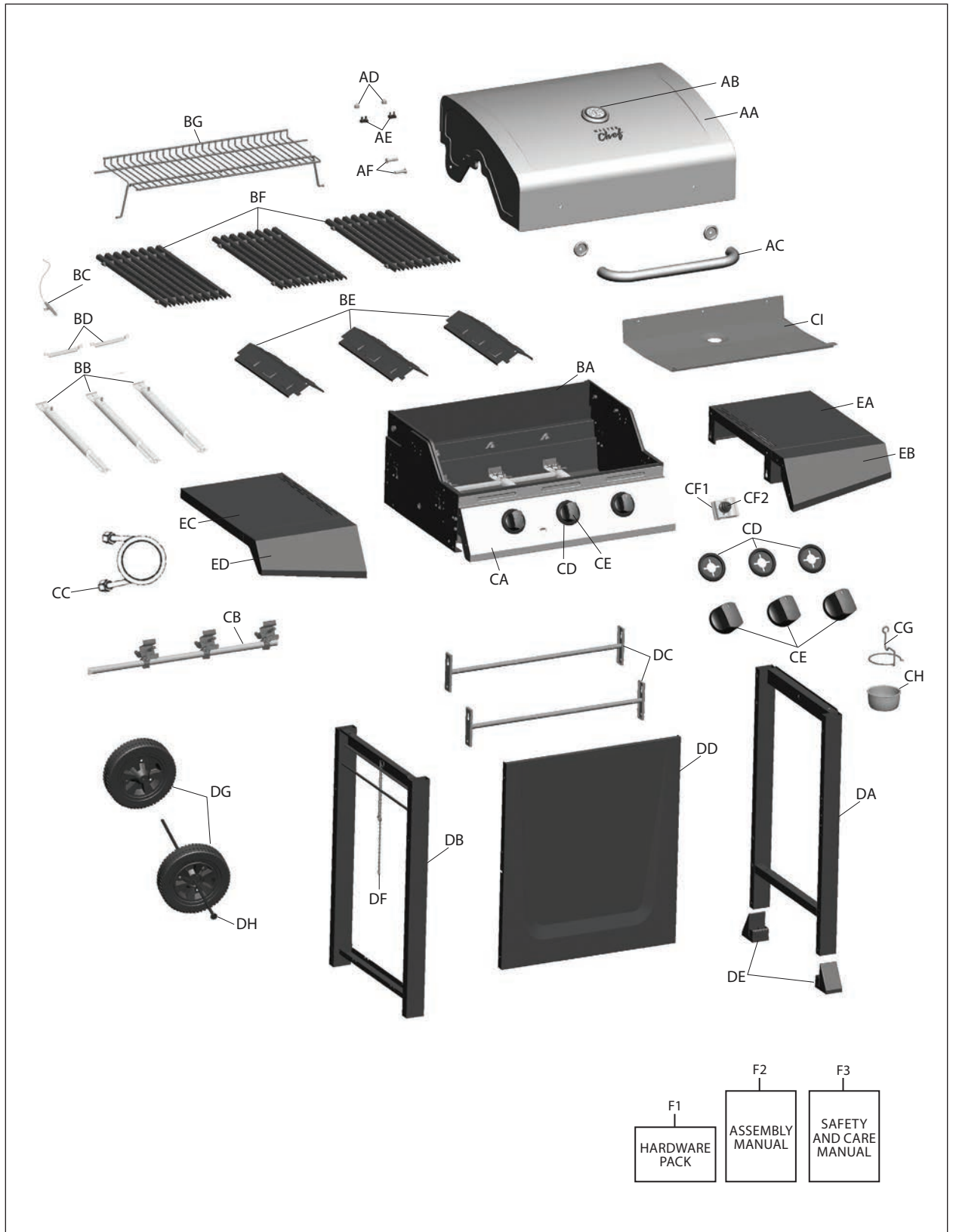
# EXPLODED DIAGRAM (PROPANE) FOR 85-3062-2 (G45123)



## PARTS LIST (NATURAL GAS) FOR 85-3063-0 (G45124)

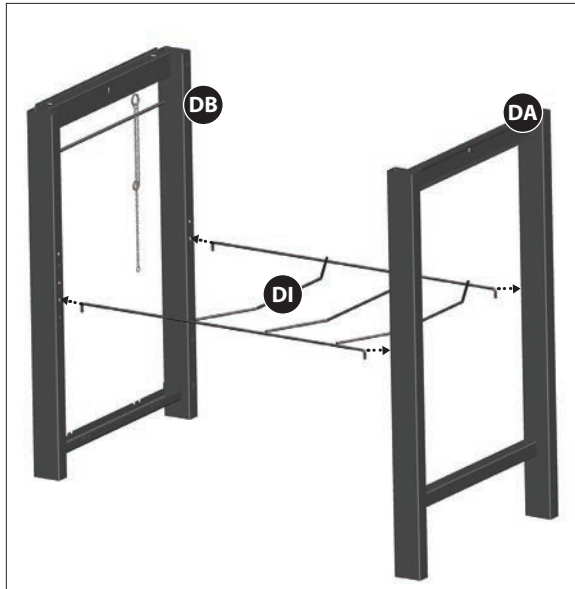
KEY #	QUANTITY	DESCRIPTION	PART NO.
AA	1	Top Lid Assembly	G451-0E00-01
AB	1	Thermometer and bezel	G432-000K-01
AC	1	Top Lid Handle	G451-0063-01
AD	2	Lid Bumbers-Back	G303-0038-01
AE	2	Lid Bumbers-Front	G430-00B8-01
AF	2	Screws For Lid	G430-0024-01
BA	1	Burner Box Assembly	G451-0H00-01
BB	3	Burner	G432-B600-01
BC	1	Electrode Set,Main Burners	G501-0010-01
BD	2	Burner Brace Assembly	G432-0078-01
BE	3	Flame Tamers	G430-0005-01
BF	3	Cooking Grates	G451-1200-01
BG	1	Warming Rack	G430-0003-01
CA	1	Control Panel	G451-0064-01
CB	1	Manifold Assembly	G451-P700-01
CC	1	Natural Gas Hose	G501-0099-01
CD	3	Bezel, control knob	G430-0027-02
CE	3	Control Knob	G432-0090-01
CF1	1	Electronic Ignition Assembly	G409-0021-A1
CF2	1	Electronic Ignition Button	G409-0030-01
CG	1	Grease Cup Hook	G305-0043-01
CH	1	Grease Cup	G430-0033-02
CI	1	Heat Shield	G451-6201-01
DA	1	Cart Side Panel,Right	G451-0D00-01
DB	1	Cart Side Panel,Left	G451-0C00-01
DC	2	Back Brace	G459-1100-01
DD	1	Front Panel	G451-0005-02
DE	2	End Caps	G431-0004-01
DF	1	Match Holder	G401-0079-01
DG	2	Wheel	G210-0018-02
DH	1	Wheel Axle	G430-0007-01
EA	1	Side Shelf Table(right)	G451-0B00-01
EB	1	Side Shelf Fascia(right)	G451-0061-01
EC	1	Side Shelf Table(left)	G451-0A00-01
ED	1	Side Shelf Fascia(left)	G451-0060-01
F1	1	Hardware Pack	G451-B023-01
F2	1	Assembly Instructions	G451-M023-01
F3	1	Safe Use and Care Manual	G451-M018-02

# EXPLODED DIAGRAM (NATURAL GAS) FOR 85-3063-0 (G45124)

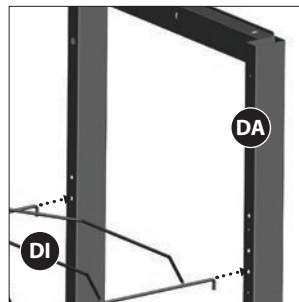


# ASSEMBLY INSTRUCTIONS

# 1



Front View



Close up

**PROPANE MODELS ONLY: NATURAL GAS MODELS WILL NOT INCLUDE THE TANK EXCLUSION (DI)**

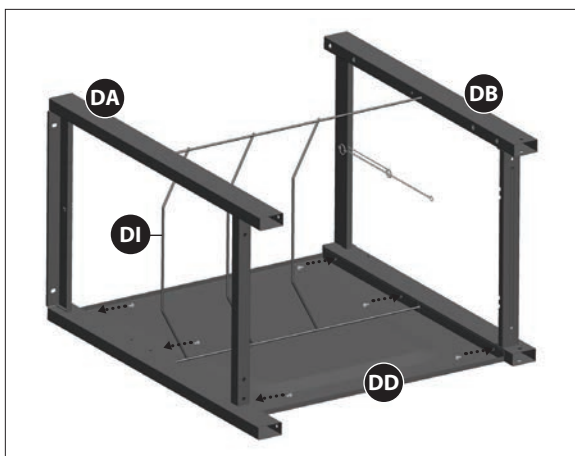
**Note: You will need two people for this step.**

Assemble the tank exclusion (DI) to the left and right cart side panels (DA, DB), as shown.

**Note: The left cart side panel (DB) will have large holes on the end of the legs for assembling the wheel axle (DH).**

**Note: the tank exclusion should sit in the lower hole on the left and right side panel.**

# 2

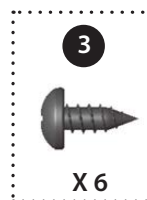


Front side down

**Note: Turn Cart assembly over. Front panel should be facing upward.**

Assemble the Front Panel (DD) to the Left and Right Cart Side Panels (DA and DB), as shown.

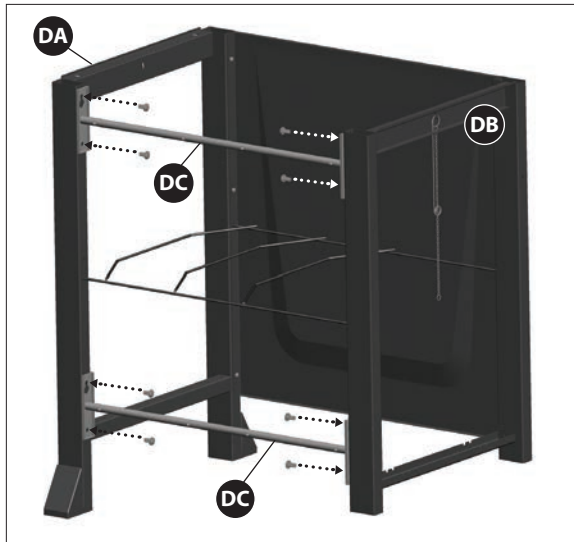
YOU WILL NEED:





# ASSEMBLY INSTRUCTIONS

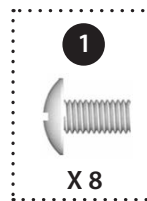
## 3



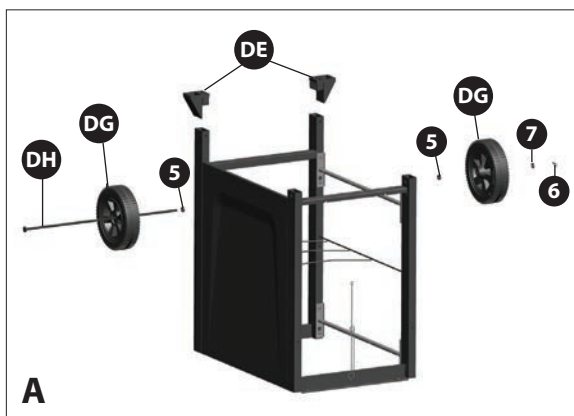
Back view

Assemble the two Back Braces (DC) to the Left and Right Cart Side Panels (DA and DB), as shown.

YOU WILL NEED:



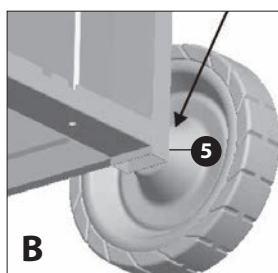
## 4



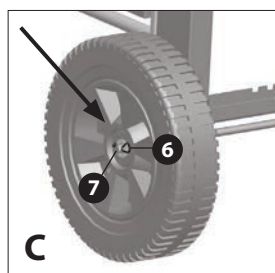
A

**Note: Turn Cart assembly upside down.**

- Place wheel (DG) and wheel spacer (#5) onto wheel axle (DH). "Cone" side of wheel should be against cart side panel, as shown in figure B.
- Insert wheel axle assembly (DH) through wheel axle hole in the front and rear, of the left cart side panel (DB), as shown.
- To complete wheel assembly, position the wheel spacer (#5), wheel (DG), wheel washer (#7) and hitch pin (#6), onto wheel axle (DH), as shown.

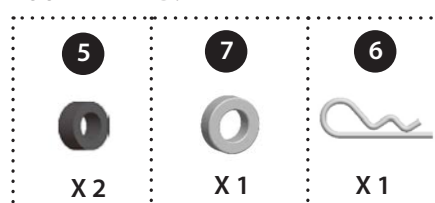


Close up



Close up

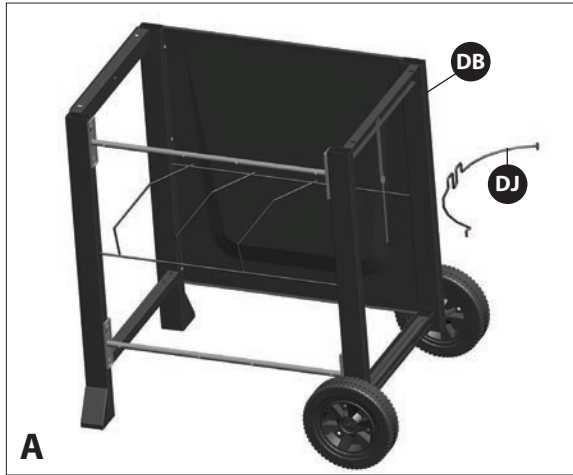
YOU WILL NEED:



- Insert end caps (DE) into right cart side panel (DA).

# ASSEMBLY INSTRUCTIONS

## 5

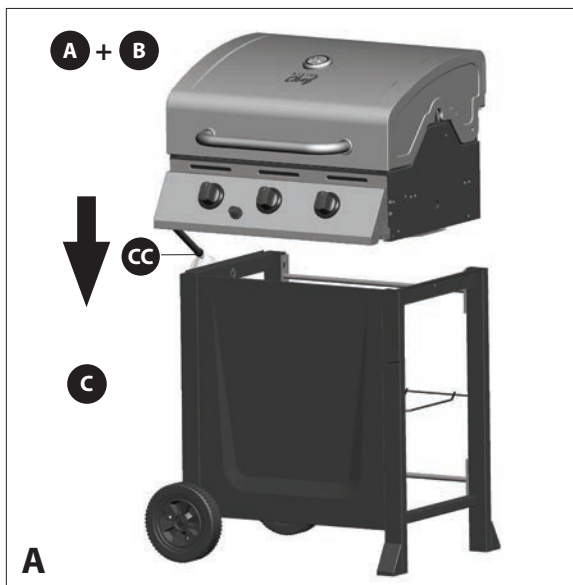


Close up

### PROPANE MODELS ONLY

Assemble the Gas Tank Support (DJ) to the Left Cart Side Panel (DB).

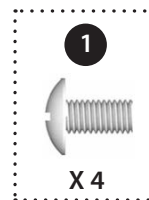
## 6



**Note: TWO PEOPLE required for this step. Ensure that the regulator hose (CC) (Propane models only) is hanging outside of cart.**

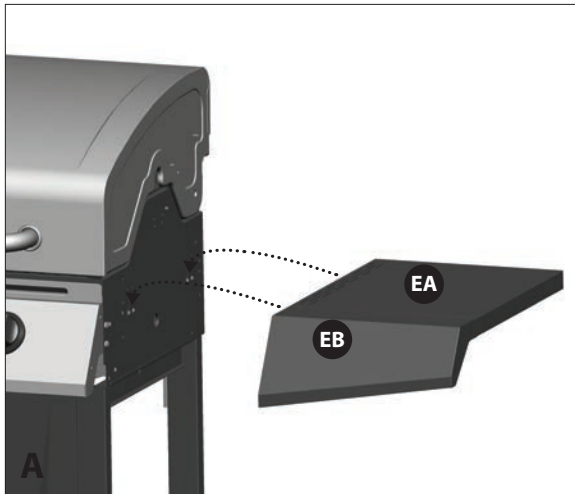
Position the lid and burner box assembly (A&B), onto the cart assembly (C), and assemble.

YOU WILL NEED:

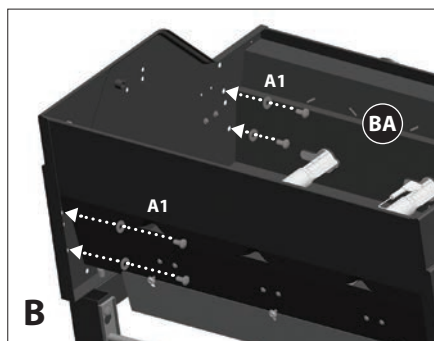


# ASSEMBLY INSTRUCTIONS

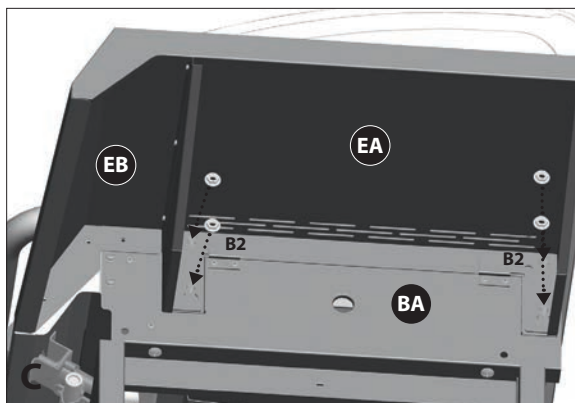
# 7



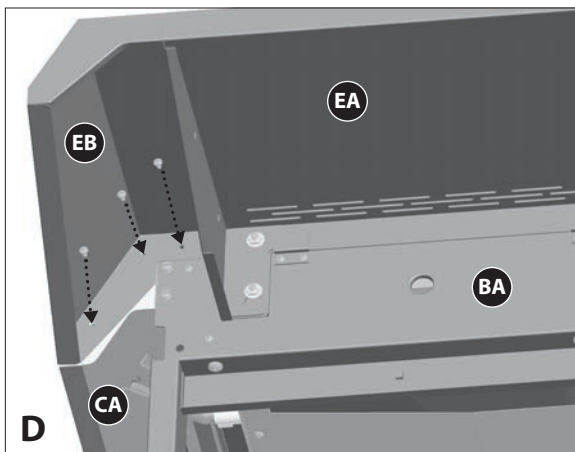
Front, right side view



Back view



View, under right side shelf



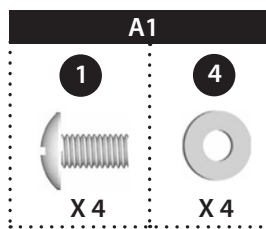
Right side view

## RIGHT SIDE SHELF ASSEMBLY

a. Insert the right side shelf assembly (EA and EB) into the two support brackets located on the right side of the burner box assembly (BA).

b. Affix the right side shelf table (EA) to the burner box assembly (BA). (Figure B and C)

YOU WILL NEED:



YOU WILL NEED:



c. Affix the right side shelf fascia (EB) to the control panel (CA).

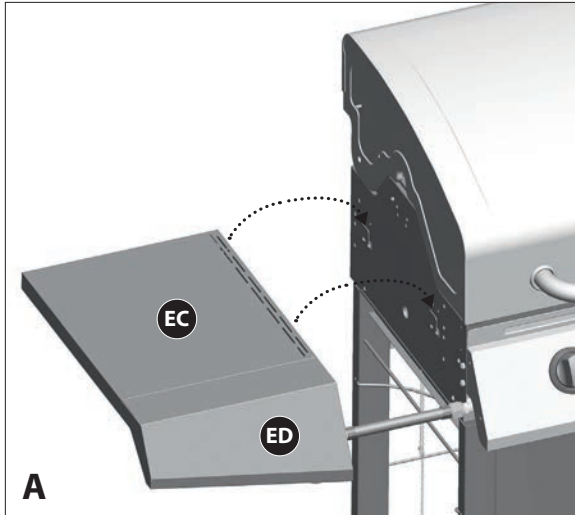
**Securely tighten all hardware.**

YOU WILL NEED:

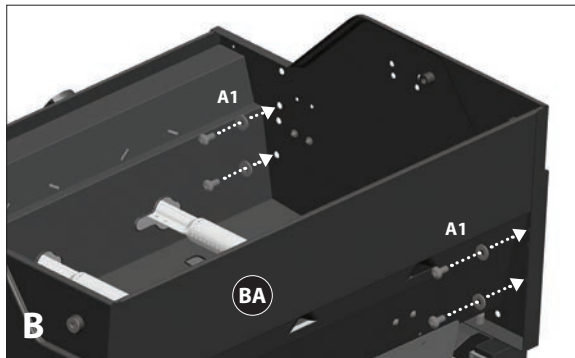


# ASSEMBLY INSTRUCTIONS

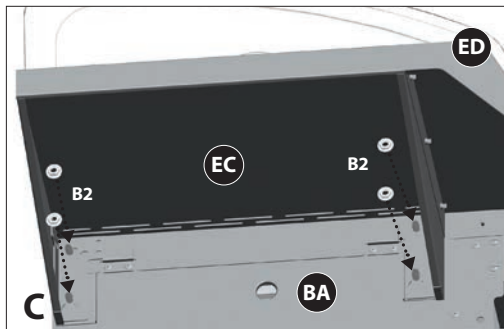
# 8



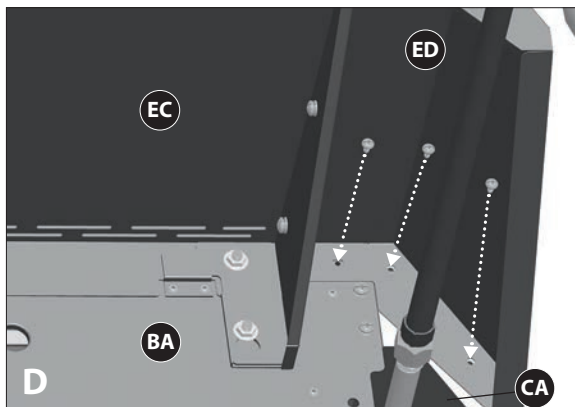
Front, left side view



View, under left side shelf



Back view



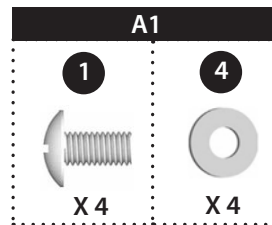
View, under left side shelf

## LEFT SIDE SHELF ASSEMBLY

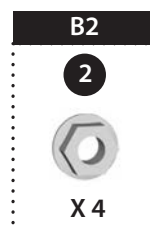
- a. Insert the left side shelf assembly (EC and ED) into the two support brackets located on the left side of the burner box assembly (BA).

- b. Affix the left side shelf table (EC) to the burner box assembly (BA).

YOU WILL NEED:



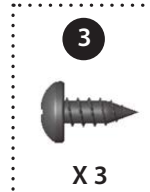
YOU WILL NEED:



- c. Affix the left side shelf fascia (ED) to the control panel (CA).

**Securely tighten all hardware.**

YOU WILL NEED:

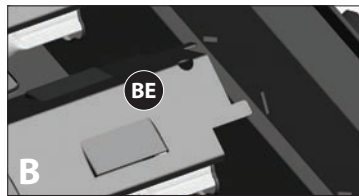


# ASSEMBLY INSTRUCTIONS

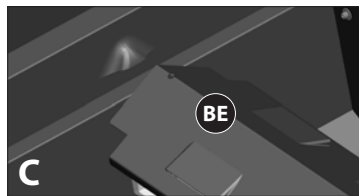
9



Place the flame tamers (BE) into the burner box (BA).



Close up, front



Close up, back

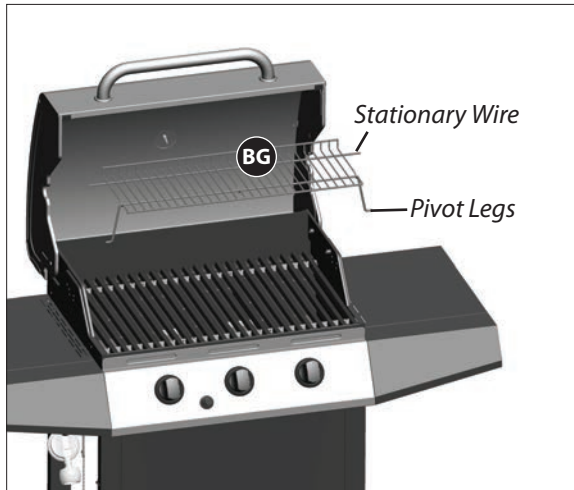
10



Place the cooking grates (BF) into the burner box (BA).

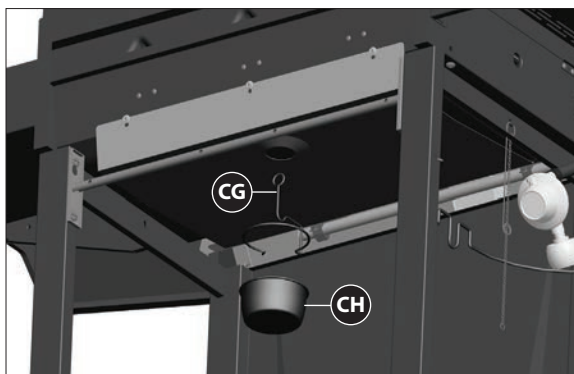
# ASSEMBLY INSTRUCTIONS

## 11

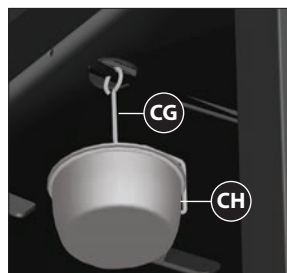


To assemble the warming rack (BG), insert the stationary wire into the holes on the sides of the lid. Insert warming rack pivot legs into the holes on the inside of the burner box assembly (BA), as shown.

## 12



Back view



Close up

Hang the grease cup hook (CG) from the bottom of the burner box (BA), and place grease cup (CH) into position.

### PROPANE MODEL SHOWN

#### ⚠ CAUTION ⚠

*Failure to assemble grease cup hook and grease cup will cause hot grease to drip from the bottom of the BBQ burner box, with the risk of fire, property damage, or personal injury.*

# 13



Left side view

## PROPANE MODEL ONLY

### FOR NATURAL GAS MODEL, FOLLOW STEP 14.

Position the 20lb propane tank into the notches located on the bottom of the left cart side panel (DB). Position the gas tank support (DJ) onto the tank collar. Attach the regulator coupling nut (CC) to the propane tank valve.

#### **⚠ ATTENTION ⚠**

*LP Cylinder is sold separately. Use only LP tanks that are equipped with an OPD (Overfill protection device). Fill and Leak check before attaching to the BBQ hose and regulator. See Safe Use and Care Manual, leak test procedure for more information*

#### **⚠ CAUTION ⚠**

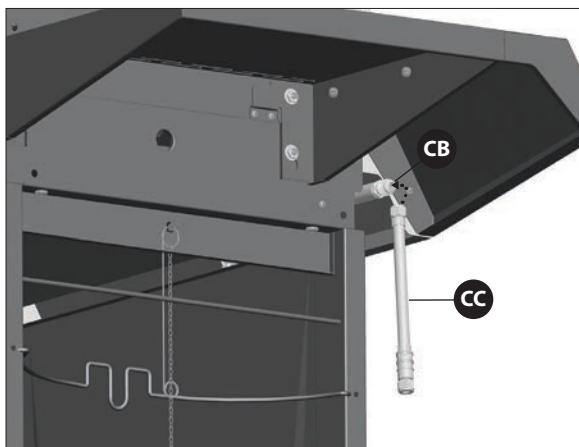
*Cylinder valve must face to the front of cart once the tank is attached. Failure to install cylinder correctly may allow gas hose to be damaged in operation, resulting in fire.*

#### **⚠ WARNING ⚠**

*Always keep LP cylinder in upright position during use, transport and storage.*

## ASSEMBLY INSTRUCTIONS

# 14



Left side view

### NATURAL GAS MODELS ONLY

Attach the natural gas hose (CC) to the manifold (CB), as shown.

### ⚠ ATTENTION ⚠

*In order to complete installation of your natural gas BBQ a 1/2" or 3/8" adapter may be required to connect your BBQ's natural gas hose to your home gas supply. Contact your natural gas supplier to purchase the necessary part.*

# 15



### **Electronic ignition battery not included.**

Unscrew the electronic ignition button (CF2) and insert one AA battery into the electronic ignition battery compartment (CF1), with the positive end facing outward.







Visit [www.masterchefbbqs.com](http://www.masterchefbbqs.com)  
to complete product registration  
Master Chef® Customer Service  
1-855-453-2150

Trileaf Distributions Trifeuil  
Toronto, Ontario M4S2B8