

MASTER
*Chef*TM



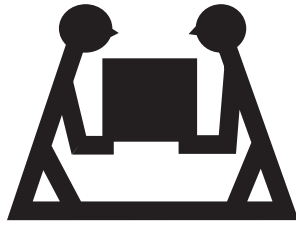
S380 Barbecue Assembly Manual

199-9558-8 (G31216) Propane

1 YEAR LIMITED WARRANTY

**READ AND SAVE MANUAL FOR FUTURE REFERENCE.
If pre-assembled, leave this manual with unit for
consumer's future reference.**

**For product inquiries, parts, warranty and
troubleshooting support, please call 1-855-453-2150.**



HEAVY ARTICLE NEEDS 2 TO LIFT

THIS MANUAL MUST REMAIN WITH THE PRODUCT AT ALL TIMES

To ORDER non-warranty replacement parts or accessories, or to register your warranty, please visit us on the web at

www.masterchefbbqs.com

⚠ CAUTION

Sharp edges. Wear gloves when assembling your grill.

⚠ CAUTION

Read and follow all safety statements, assembly instructions, use and care directions before attempting to assemble and cook.

⚠ INSTALLER OR ASSEMBLER/CONSUMER

This manual should be kept with the BBQ at all times.

⚠ WARNING

Failure to follow all of the Manufacturer's instructions could result in hazardous fires, explosions, property damage, or serious personal injury or even death.

Follow all leak check procedures carefully prior to operation of barbecue, even if grill was dealer assembled. Do not try to light this barbecue without reading the Lighting Instructions section of this manual.

⚠ DANGER

1. If you smell Gas:
 - a. Shut off gas to the appliance
 - b. Extinguish any open flame
 - c. Open lid
 - d. If odor continues, keep away from the appliance and immediately call your gas supplier or your fire department
 2. Requires two people to complete the assembly process.
 3. Beware of sharp edges.
-

⚠ WARNING

1. Do not store or use gasoline or other flammable liquids or vapours in the vicinity of this or any other appliance.
 2. An LP cylinder not connected for use shall not be stored in the vicinity of this or any other appliance.
-

⚠ WARNING

IN DIRECT SUN, AND IN OPERATION, YOUR BBQ'S STAINLESS STEEL AND PAINTED STEEL PARTS CAN BECOME VERY HOT.

THIS BARBECUE IS FOR OUTDOOR USE ONLY

CONTACT CALL CENTRE IF ANY PARTS ARE MISSING

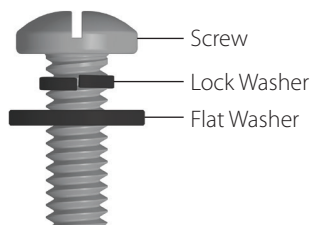
1-855-453-2150

HARDWARE PACK

TOOLS NEEDED FOR ASSEMBLY

- #2 Phillips screwdriver (long and short)
- ¼" Slotted screwdriver (long and short)
- Adjustable wrench
- Pliers

For correct hardware assembly, always position the lock washer between the screw and the flat washer.



KEY #	DESCRIPTION	PART NUMBER	QUANTITY
1	NO.10-24UNCx13 Screw	G312-1702-9091	12
2	1/4"-20UNCx13 Screw	20120-13013-036	4
3	#8x3/8" Self Tapping Screw	24200-42008-136	3
4	Washer (Wheel)	G312-0014-9088	3
5	Hitch Pin	G306-0005-9088	1

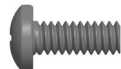
⚠ Caution:
Sheet metal can cause injury. Wear gloves when installing the grill.

1



NO.10-24UNCx13 Screw
X 12

2



1/4"-20UNCx13 Screw
X 4

3



#8x3/8" Self Tapping Screw
X 3

4



Washer (Wheel)
X 3

5



Hitch Pin
X 1

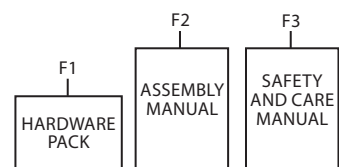
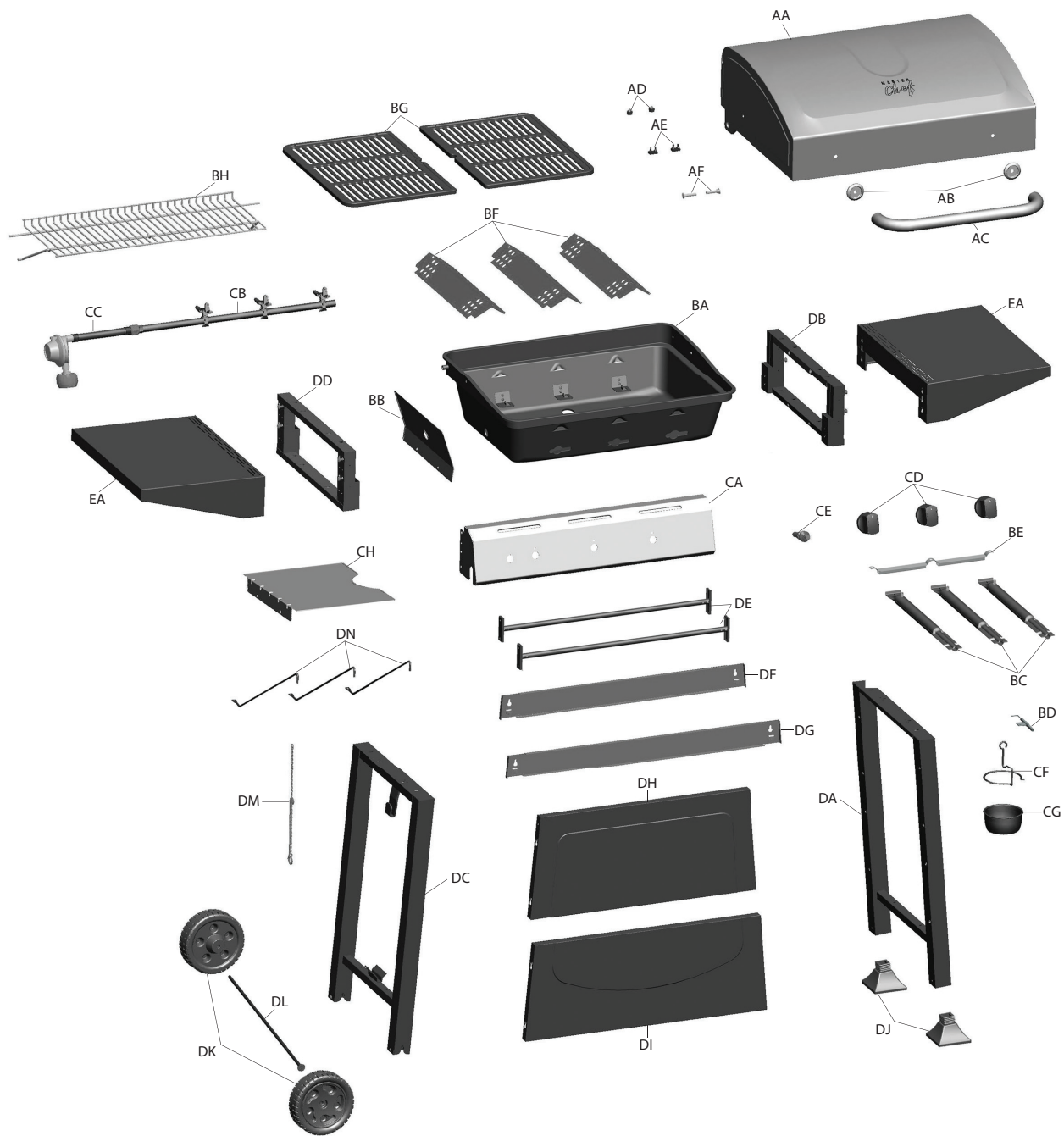
BEFORE ASSEMBLING THIS BARBECUE, READ THE INSTRUCTIONS CAREFULLY.

Assemble the barbecue on a flat, clean surface. Grill is heavy. Two people are recommended to complete assembly.

PARTS LIST (PROPANE) FOR 199-9558-8 (G31216)

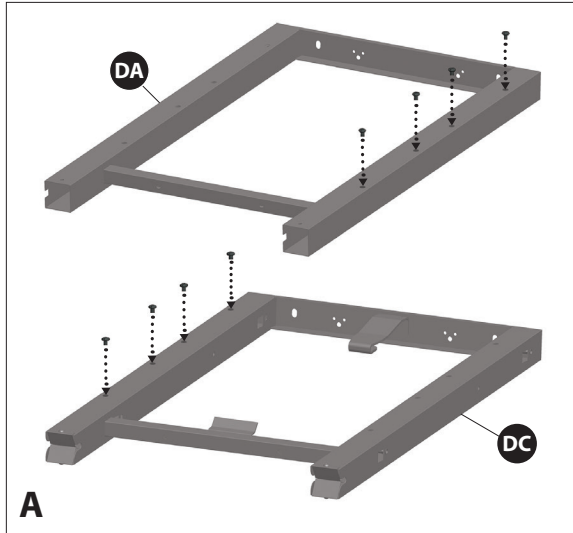
KEY #	QUANTITY	DESCRIPTION	PART NO.
AA	1	Top lid assembly	G312-9000-01
AB	2	Lid handle brackets	G352-0015-01
AC	1	Top lid handle	G451-0063-01
AD	2	Lid bumpers-back	G303-0038-01
AE	2	Lid bumpers-front	G430-00B8-01
AF	2	Screws for lid	G430-0024-01
BA	1	Burner box assembly	G312-9200-01
BB	1	Side Heat shield	G312-2201-01
BC	3	Burner	G312-0D00-01
BD	1	Electrode	G311-0005-01
BE	2	Carryover assembly	G312-0012-01
BF	3	Flame tamer	G312-0205-01
BG	2	Cooking grate	G312-2102-01
BH	1	Warming rack	G312-0010-01
CA	1	Control panel	G312-0006-01
CB	1	Manifold assembly	G312-9800-01
CC	1	Regulator	G511-0031-01
CD	3	Control knob	G432-0090-01
CE	1	Ignitor	G206-0701-01
CF	1	Grease cup hook	G305-0043-01
CG	1	Grease cup	G307-0025-01
CH	1	Heat shield (tank)	G312-0408-01
DA	1	Lower cart frame, right	G312-0F00-01
DB	1	Upper cart frame, right	G312-0H00-01
DC	1	Lower cart frame, left	G312-0E00-01
DD	1	Upper cart frame, left	G312-0G00-01
DE	2	Upper cart brace	G312-AF00-01
DF	1	Upper back brace	G312-0406-01
DG	1	Lower back brace	G312-0407-01
DH	1	Upper front panel	G312-0007-01
DI	1	Lower front panel	G312-0008-01
DJ	2	End caps	G312-0013-01
DK	2	Wheel	G211-0016-01
DL	1	Wheel axle	G430-0007-01
DM	1	Match holder	G401-0079-01
DN	3	Tank exclusion	G312-9601-01
EA	2	Side shelf table	G312-9100-01
F1	1	Hardware pack	G312-B016-01
F2	1	Assembly instructions	G312-M016-01
F3	1	Safe use and care manual	G451-M018-02

EXPLODED DIAGRAM (PROPANE) FOR 199-9558-8 (G31216)



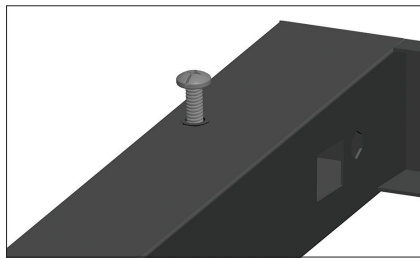
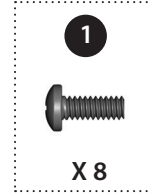
ASSEMBLY INSTRUCTIONS

1



a. Assemble hardware half way into the lower left and right cart frames (DC and DA).
Do not tighten.

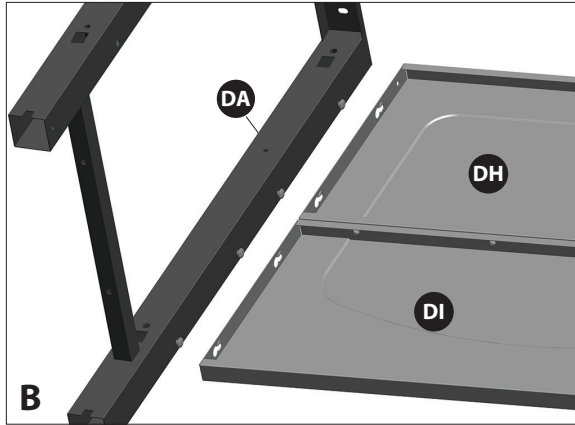
YOU WILL NEED:



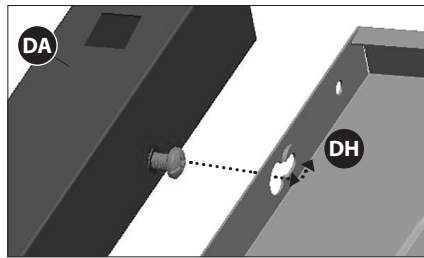
Close Up

ASSEMBLY INSTRUCTIONS

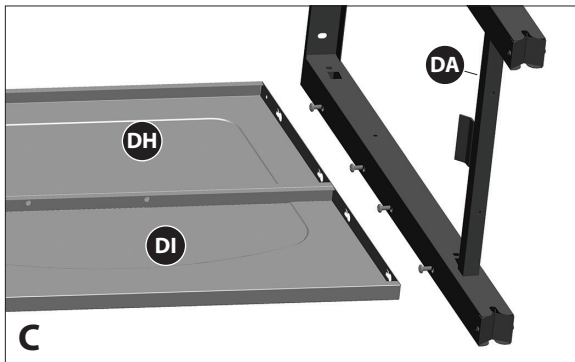
1



b. Position the upper front panel (DH) and lower front panel (DI) onto the screws attached to the left and right lower cart frames (DC and DA) as shown in figure B & C.



Close Up



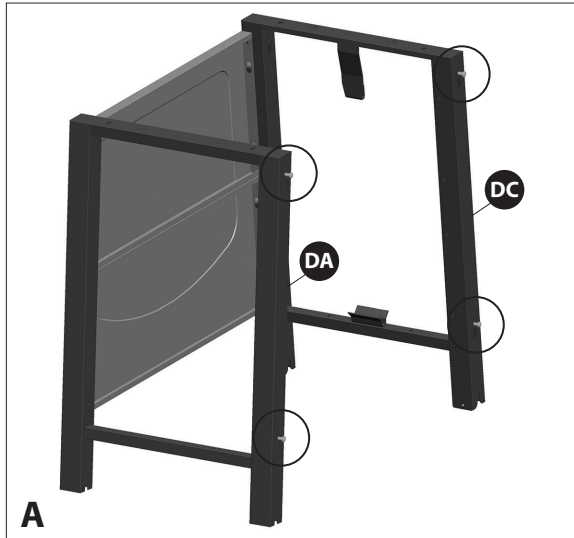
c. Tighten screws.



Close Up

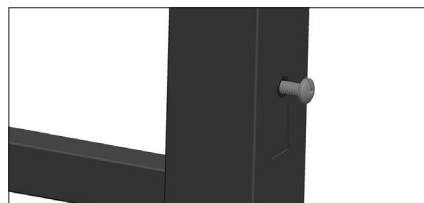
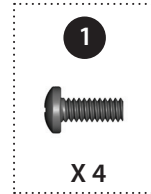
ASSEMBLY INSTRUCTIONS

2

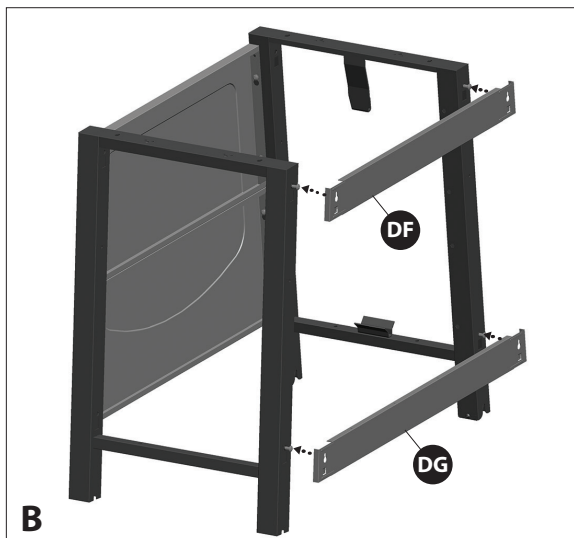


a. To assemble the upper and lower back brace (DF and DG) to the left and right cart frames (DA and DC) first partially assemble screws half way into the back of the parts (DA & DC) as shown in figure A. Do not tighten.

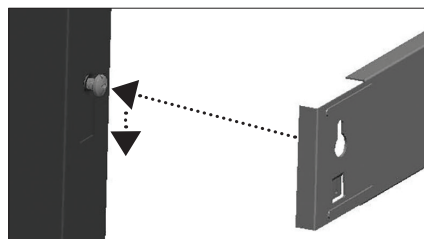
YOU WILL NEED:



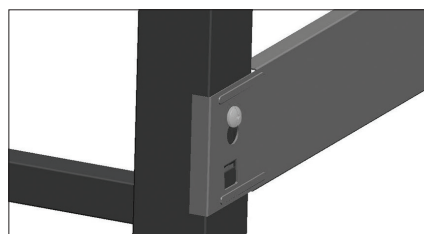
Close Up



b. Position the upper back brace (DF) and lower back brace (DG) onto the screws you assembled in 2A.



Close Up



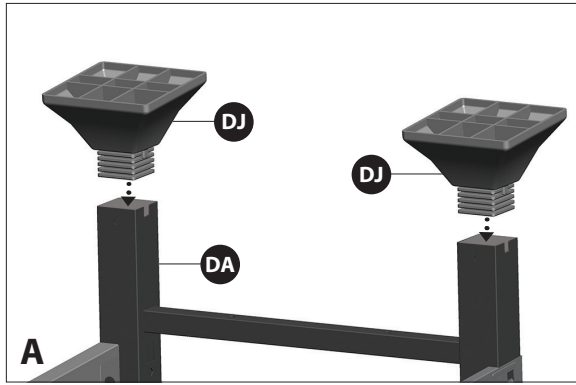
Close Up

c. Tighten screws.

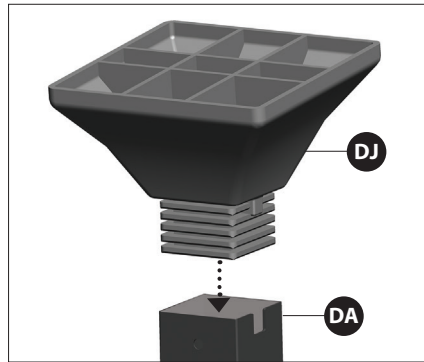
ASSEMBLY INSTRUCTIONS

3

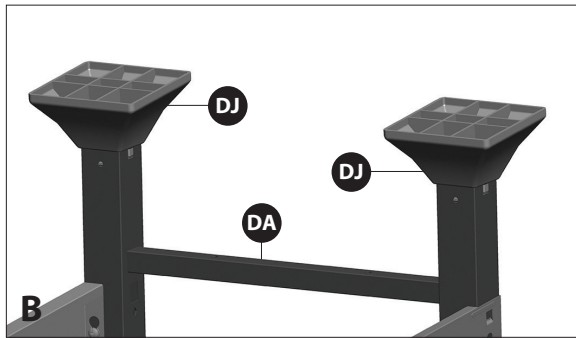
Insert end caps (DJ) into the lower cart frame, right (DA).



Back view



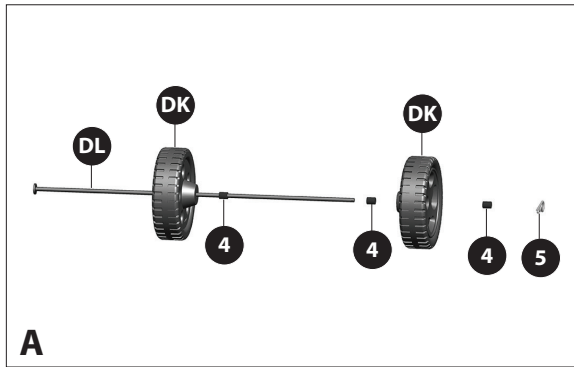
Close Up



Back view

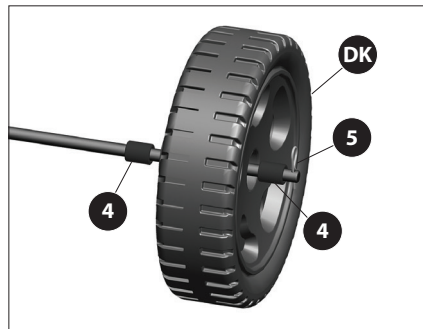
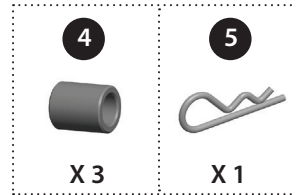
ASSEMBLY INSTRUCTIONS

4

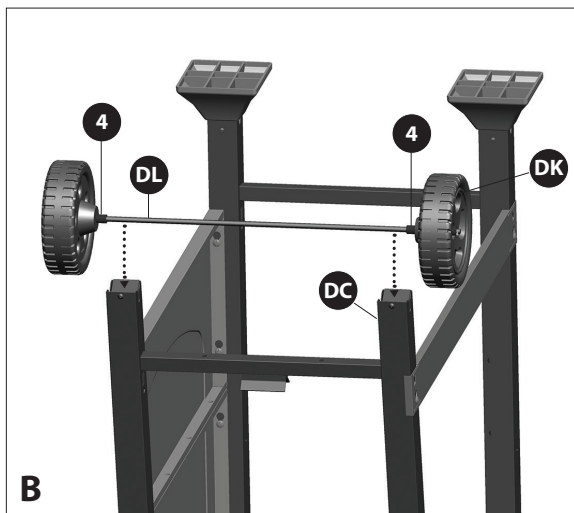


- a. Place one wheel (DK) on the wheel axel (DL) followed by 2 wheel washers (#4). Complete assembly by adding the second wheel (DK), a third wheel washer (#4), and secure with the hitch pin (#5).

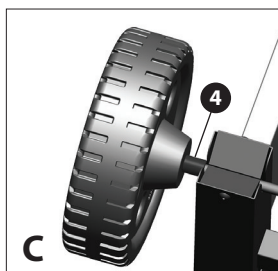
YOU WILL NEED:



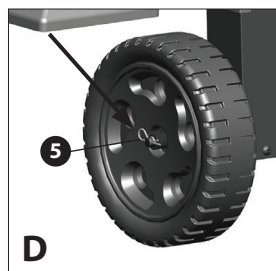
Close Up



- b. With the cart assembly in the upside down position, firmly push the wheel assembly (DL and DK) into the opening at the bottom of the left lower cart frame (DC). Make sure that the inside wheel spacers are positioned on the outside of the left cart legs.



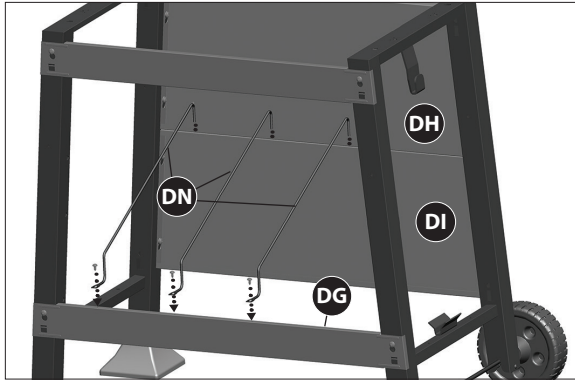
Close Up, correct assembly



Close Up, correct assembly, back view

ASSEMBLY INSTRUCTIONS

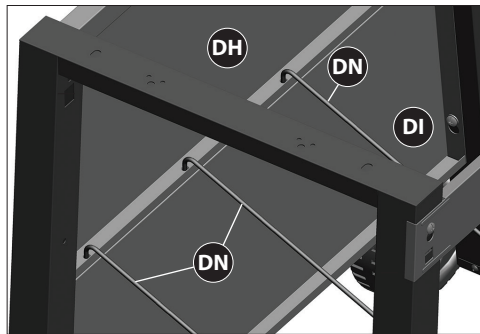
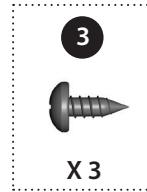
5



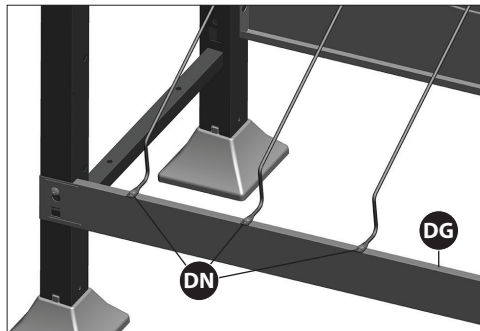
Back view

Assemble the three tank exclusion wires (DN) to the lower back brace (DG) and the front panel (DI and DH) as shown.

YOU WILL NEED:



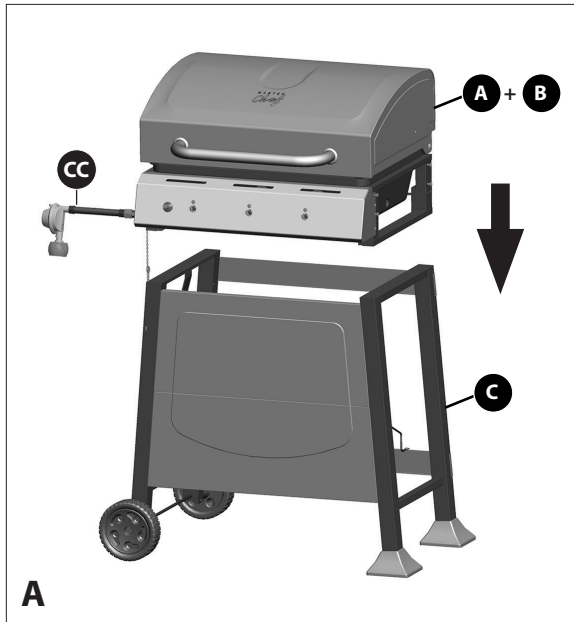
Close Up, front view



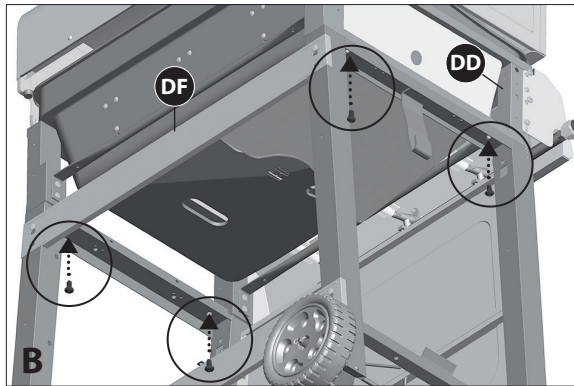
Close Up, back view

ASSEMBLY INSTRUCTIONS

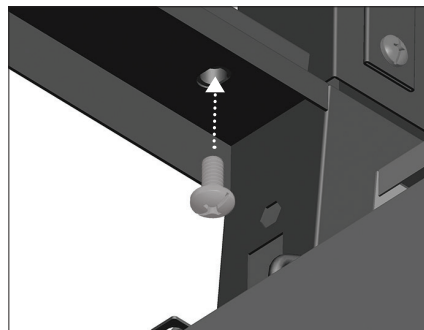
6



Front View



Back View



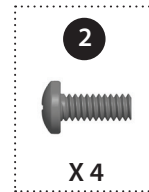
Close Up

Note: TWO PEOPLE required for this step. Ensure that the regulator hose (CC) is hanging outside of cart.

a. Position the top lid and burner box assembly (A&B) onto the cart assembly (C).

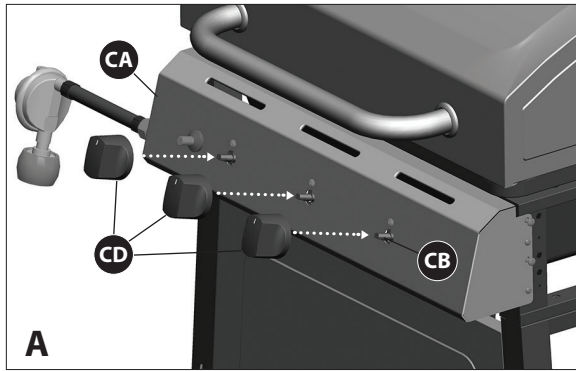
b. Assemble hardware as shown.

YOU WILL NEED:

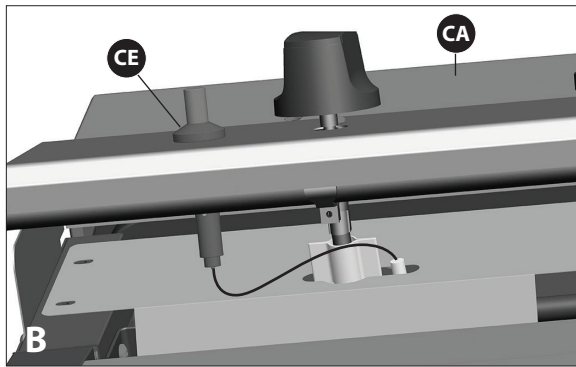


ASSEMBLY INSTRUCTIONS

7

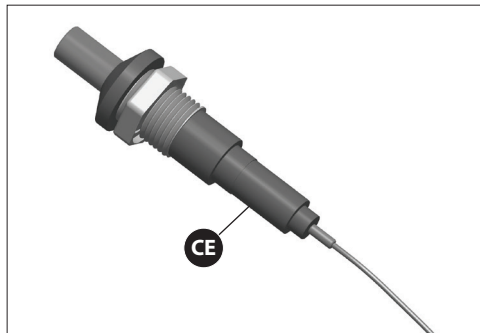


- a. Assemble the control knobs (CD) onto the valve stems of the manifold assembly (CB) located on the control panel (CA).



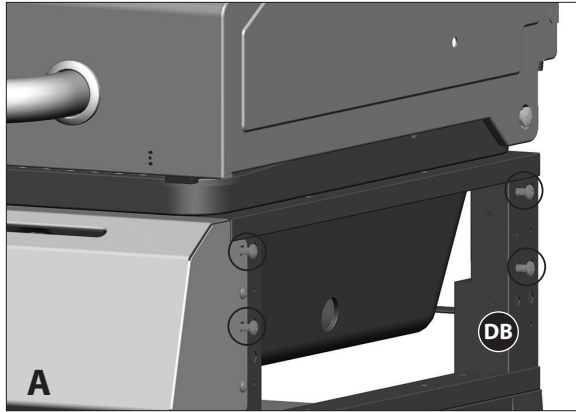
- b. Verify the Burner Electrode Wire is connected to the Igniter (CE), as shown.

View from underneath control panel



Close Up

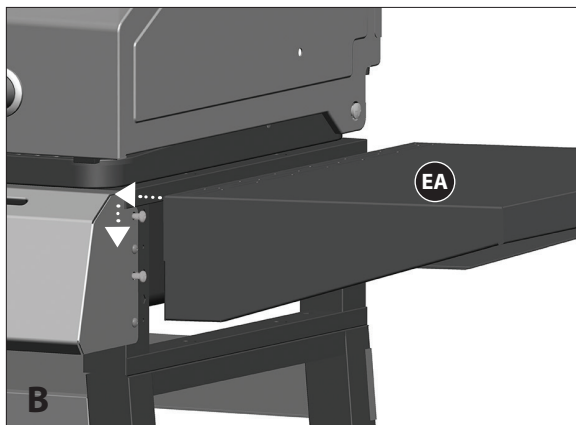
8



Right side view



Close Up



Right side view

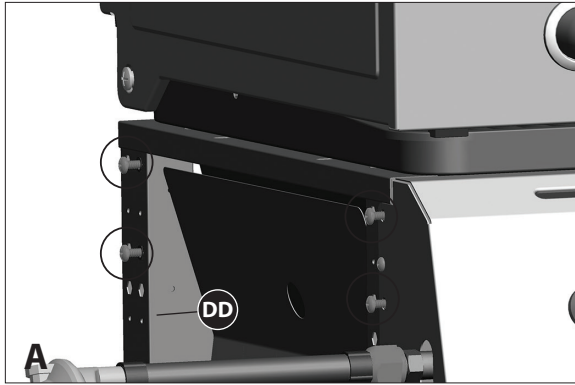
SIDE SHELF ASSEMBLY

a. Loosen the hardware pre-assembled to the right upper cart frame (DB) as shown in figure A.

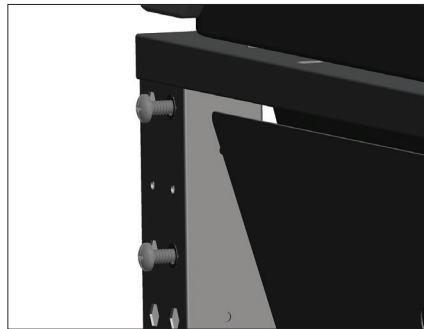
b. Position the right side shelf (EA) onto the hardware loosened in Step 9A. Tighten the hardware.

ASSEMBLY INSTRUCTIONS

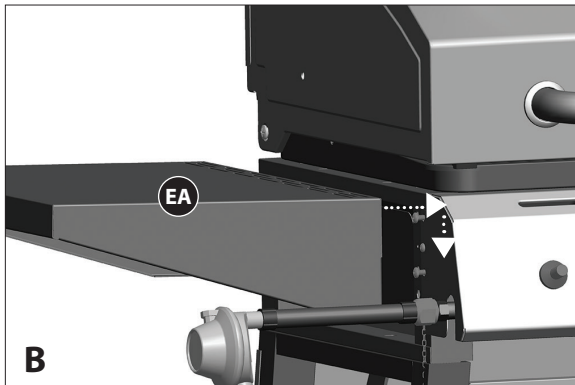
9



Left side view



Close Up



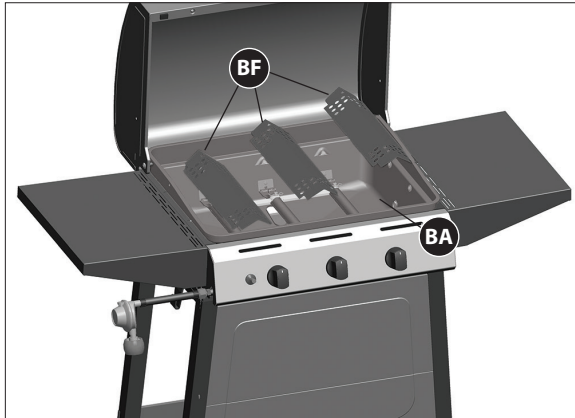
Left side view

a. Loosen the hardware pre-assembled to the left upper cart frame (DD) as shown in figure A.

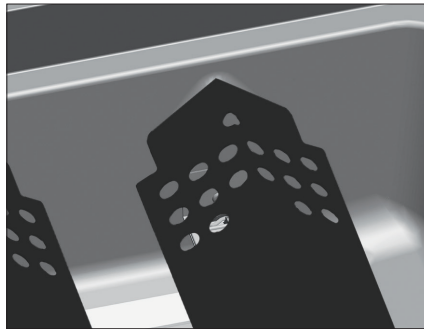
b. Position the left side shelf (EA) onto the hardware loosened in Step 10A. Tighten the hardware.

ASSEMBLY INSTRUCTIONS

10



Place the flame tamers (BF) into the burner box assembly (BA).



Close Up

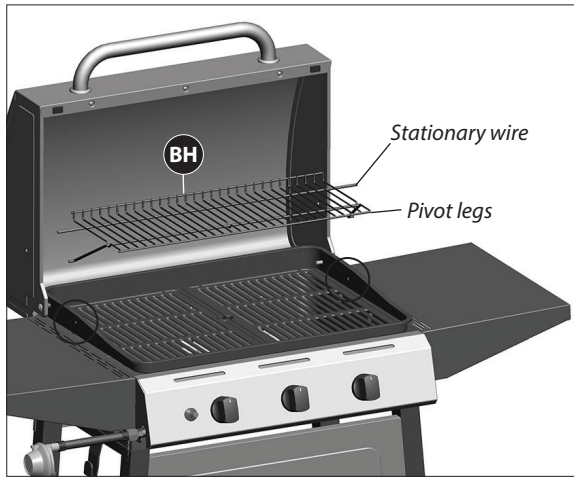
11



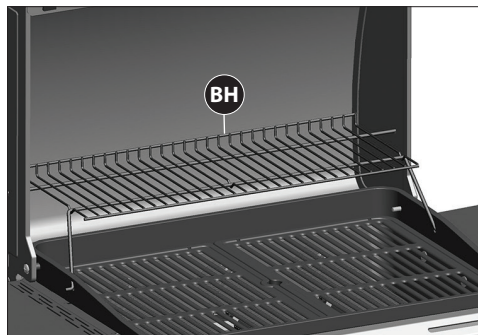
Place the cooking grates (BG) into the burner box assembly (BA).

ASSEMBLY INSTRUCTIONS

12

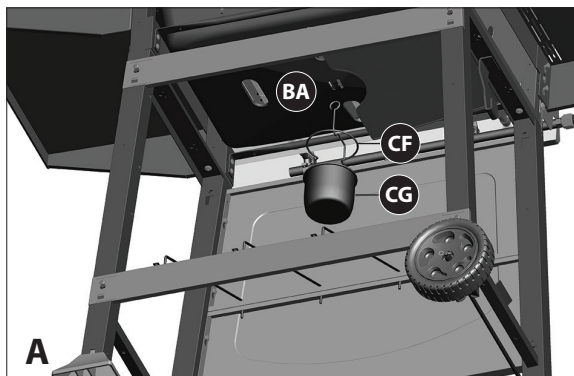


To assemble the warming rack (BH), insert the stationary wire into the holes on the sides of the lid. Insert warming rack pivot legs into the holes on the inside of the burner box assembly, as shown.

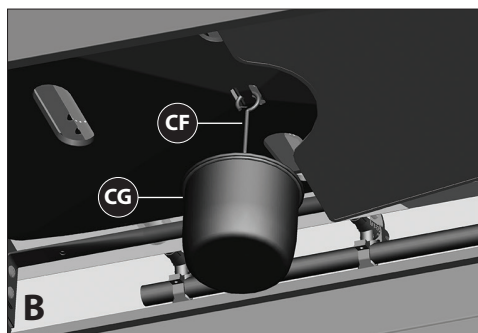


Close Up

13



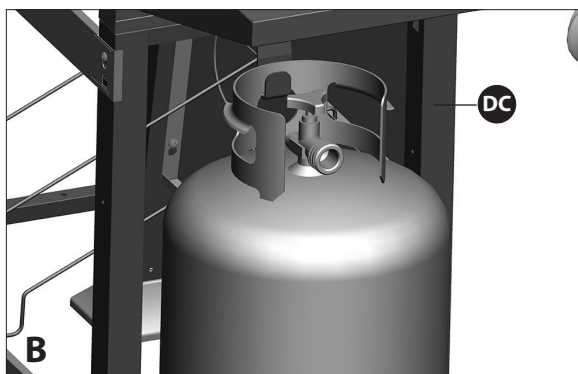
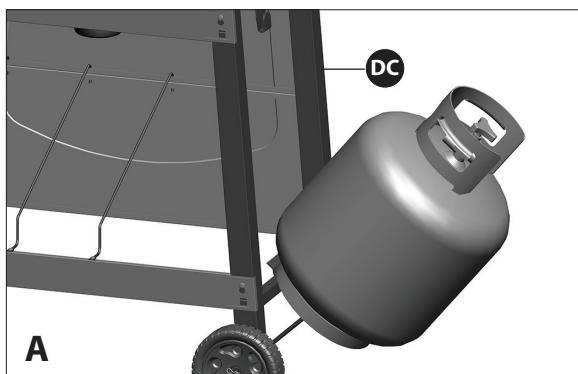
Hang the grease cup hook (CF) from the bottom of the burner box (BA), and place grease cup (CG) into position.



Close Up

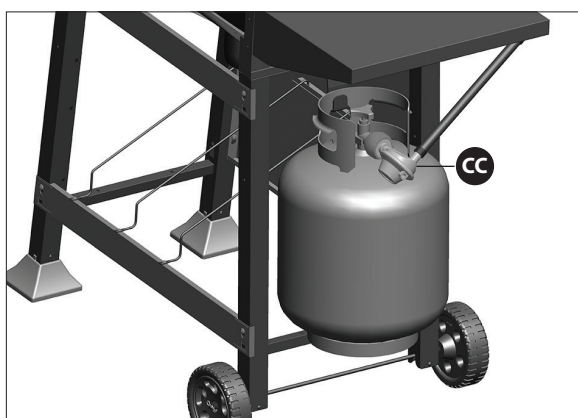
ASSEMBLY INSTRUCTIONS

14



Position the gas tank onto the top and bottom tank supports, attached to the lower cart frame, left (DC) as shown.

15



Attach the regulator coupling nut (CC) to the propane tank valve.

⚠ ATTENTION ⚠
FOR YOUR SAFETY, DO NOT ATTEMPT TO LIGHT THIS BBQ UNTIL YOU HAVE REVIEWED PAGES 4-8 OF THE MASTER CHEF® SAFETY & CARE MANUAL.

ALL SAFETY AND LEAK TESTS MUST BE PERFORMED BY THE END USER, PRIOR TO LIGHTING THIS BBQ.



Visit **www.masterchefbbqs.com**
to complete product registration

Master Chef® Customer Service
1-855-453-2150