

MASTER  
**Chef**<sup>TM/MC</sup>



**PRIME 3-BURNER  
PROPANE BARBECUE**  
**Assembly Manual**

**085-3135-0 / G32008**  
**1 YEAR LIMITED WARRANTY**

**READ AND SAVE MANUAL FOR FUTURE REFERENCE.**

Assemble your grill immediately.  
Missing or damaged parts claims must be submitted within 30 days of purchase date.

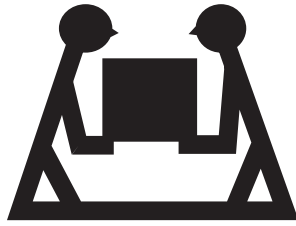
**For product inquiries, parts, warranty and troubleshooting support,  
please call 1-855-453-2150.**



ANSI Z21 58-2015 / CSA 1.6-2015  
Outdoor Cooking Gas Appliances



ANSI Z21 58-2015 / CSA 1.6-2015  
Outdoor Cooking Gas Appliances



## HEAVY ARTICLE NEEDS 2 TO LIFT

### **THIS MANUAL MUST REMAIN WITH THE PRODUCT AT ALL TIMES**

To ORDER non-warranty replacement parts or accessories, or to register your warranty, please visit us on the web at

[www.masterchefbbqs.com](http://www.masterchefbbqs.com)

---

#### **⚠ CAUTION**

Sharp edges. Wear gloves when assembling your grill.

---

#### **⚠ CAUTION**

Read and follow all safety statements, assembly instructions, use and care directions before attempting to assemble and cook.

---

#### **⚠ INSTALLER OR ASSEMBLER/CONSUMER**

This manual should be kept with the BBQ at all times.

---

#### **⚠ WARNING**

Failure to follow all of the Manufacturer's instructions could result in hazardous fires, explosions, property damage, serious personal injury or even death.

Follow all leak check procedures carefully prior to operation of barbecue, even if grill was dealer assembled. Do not try to light this barbecue without reading the Lighting Instructions section of this manual.

---

#### **⚠ DANGER**

1. If you smell Gas:
    - a. Shut off gas to the appliance.
    - b. Extinguish any open flame.
    - c. Open lid.
    - d. If odor continues, keep away from the appliance and immediately call your gas supplier or your fire department.
  2. Requires two people to complete the assembly process.
  3. Beware of sharp edges.
- 

#### **⚠ WARNING**

1. Do not store or use gasoline or other flammable liquids or vapours in the vicinity of this or any other appliance.
  2. An LP cylinder not connected for use shall not be stored in the vicinity of this or any other appliance.
- 

#### **⚠ WARNING**

IN DIRECT SUNLIGHT, AND IN OPERATION, YOUR BBQ'S STAINLESS STEEL AND PAINTED STEEL PARTS CAN BECOME VERY HOT.

---

**THIS BARBECUE IS FOR OUTDOOR USE ONLY.**

**CONTACT CALL CENTRE IF ANY PARTS ARE MISSING.**

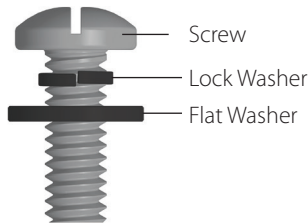
**1-855-453-2150**

# HARDWARE PACK

## TOOLS NEEDED FOR ASSEMBLY

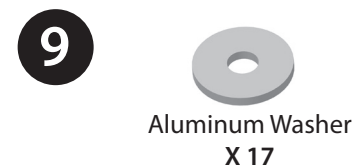
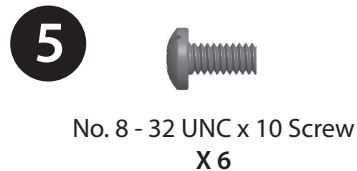
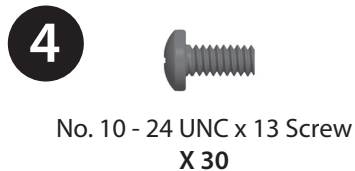
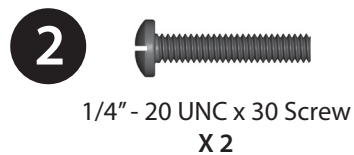
- #2 Star-head screwdriver (long and short)
- ¼" Slotted screwdriver (long and short)
- Adjustable wrench
- Pliers

For correct hardware assembly, always position the lock washer between the screw and the flat washer.



KEY #	DESCRIPTION	PART NUMBER	QUANTITY
1	1/4" - 20 UNC x 50 Screw	20120-13050-036	2
2	1/4" - 20 UNC x 30 Screw	20120-13030-036	2
3	1/4" - 20 UNC x 20 Screw	20120-13020-036	16
4	No.10 - 24 UNC x 13 Screw	20124-10013-036	30
5	No. 8 - 32 UNC x 10 Screw	20132-08010-250	6
6	ST4.2 x 8 Tapping Screw	24200-42008-136	5
7	1/4" - 20 UNC Nut	31220-13000-036	10
8	No.10 - 24 UNC Nut	31224-10000-036	1
9	Aluminum Washer	G466-0042-9000	17
10	Hitch Pin, Burner	G515-0013-9000	3
11	Wheel Spacer	G312-0014-9088	2
12	Hitch Pin, Wheel	G306-0005-9088	1
13	Wheel Washer	40300-08000-036	1
14	Stopper, Lid Hinge	G320-3004-9191	2
15	Top Lid Spacer	G305-0024-9088	2
16	Clip, Regulator	G351-0043-9000	1

**⚠ Caution:**  
Sheet metal can cause injury. Wear gloves when installing the grill.



**BEFORE ASSEMBLING THIS BARBECUE, READ THE INSTRUCTIONS CAREFULLY.**

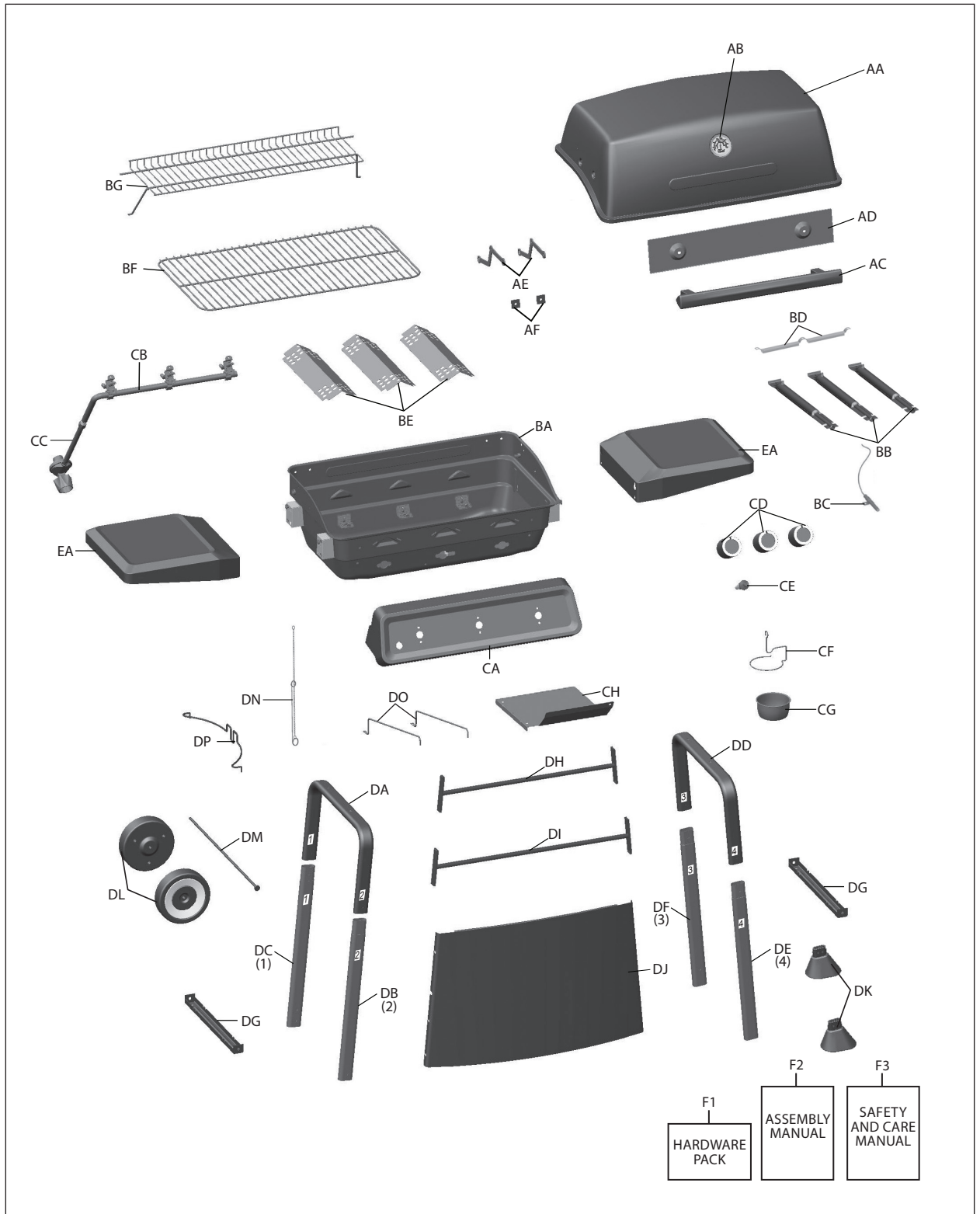
Assemble the barbecue on a flat, clean surface. The grill is heavy, two people are recommended to complete assembly.

## PARTS LIST (PROPANE) FOR 085-3135-0 / G32008

KEY #	QUANTITY	DESCRIPTION	PART NO.
AA	1	Top Lid Assembly	G320-5200-01
AB	1	Thermometer	G312-B201-02
AC	1	Top Lid Handle	G320-5102-01
AD	1	Lid Handle Heat Shield	G320-5104-01
AE	2	Lid Hinge	G320-5101-01
AF	2	Lid Handle Washer	G320-5102-01
BA	1	Burner Box Assembly	G320-5400-01
BB	3	Main Burner	G320-0200-01
BC	1	Electrode Set, Main Burner	G312-B103-01
BD	2	Carryover Assembly	G413-0004-02
BE	3	Flame Tamer	G215-0203-01
BF	1	Cooking Grate	G305-0006-01
BG	1	Warming Rack	G320-5301-01
CA	1	Control Panel	G320-6000-01
CB	1	Manifold Assembly	G320-6100-01
CC	1	Regulator	G311-0503-01
CD	3	Control Knob	G320-5302-01
CE	1	Ignitor	G206-0701-01
CF	1	Grease Cup Hook	G305-0043-01
CG	1	Grease Cup	G430-0033-02
CH	1	Gas Tank Heat Shield	G320-3003-01
DA	1	Top Cart Leg, Left	G320-5601-01
DB	1	Front Cart Leg, Left -----2	G320-5602-01
DC	1	Rear Cart Leg, Left -----1	G320-5603-01
DD	1	Top Cart Leg, Right	G320-5701-01
DE	1	Front Cart Leg, Right ----- 4	G320-5702-01
DF	1	Rear Cart Leg, Right -----3	G320-5703-01
DG	2	Lower Cart Brace	G312-B503-01
DH	1	Upper Back Brace	G320-5800-01
DI	1	Lower Back Brace	G320-5900-01
DJ	1	Front Panel	G320-5501-01
DK	2	End Caps	G320-5504-01
DL	2	Wheel	G320-5506-01
DM	1	Wheel Axle	G320-5507-01
DN	1	Match Holder	G401-0079-01
DO	2	Tank Exclusion Wire	G320-5502-01
DP	1	Gas Tank Support	G320-5503-01
EA	2	Side Shelf	G320-6200-01
F1	1	Hardware Pack	G320-B008-01
F2	1	Assembly Instructions	G320-M008-01
F3	1	Safe Use and Care Manual	G320-M008-02

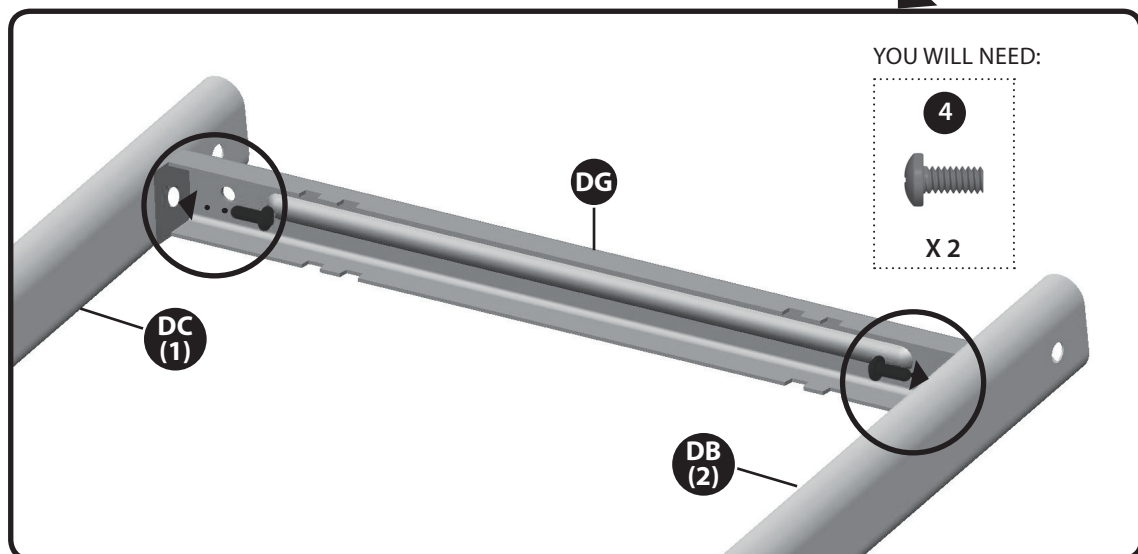
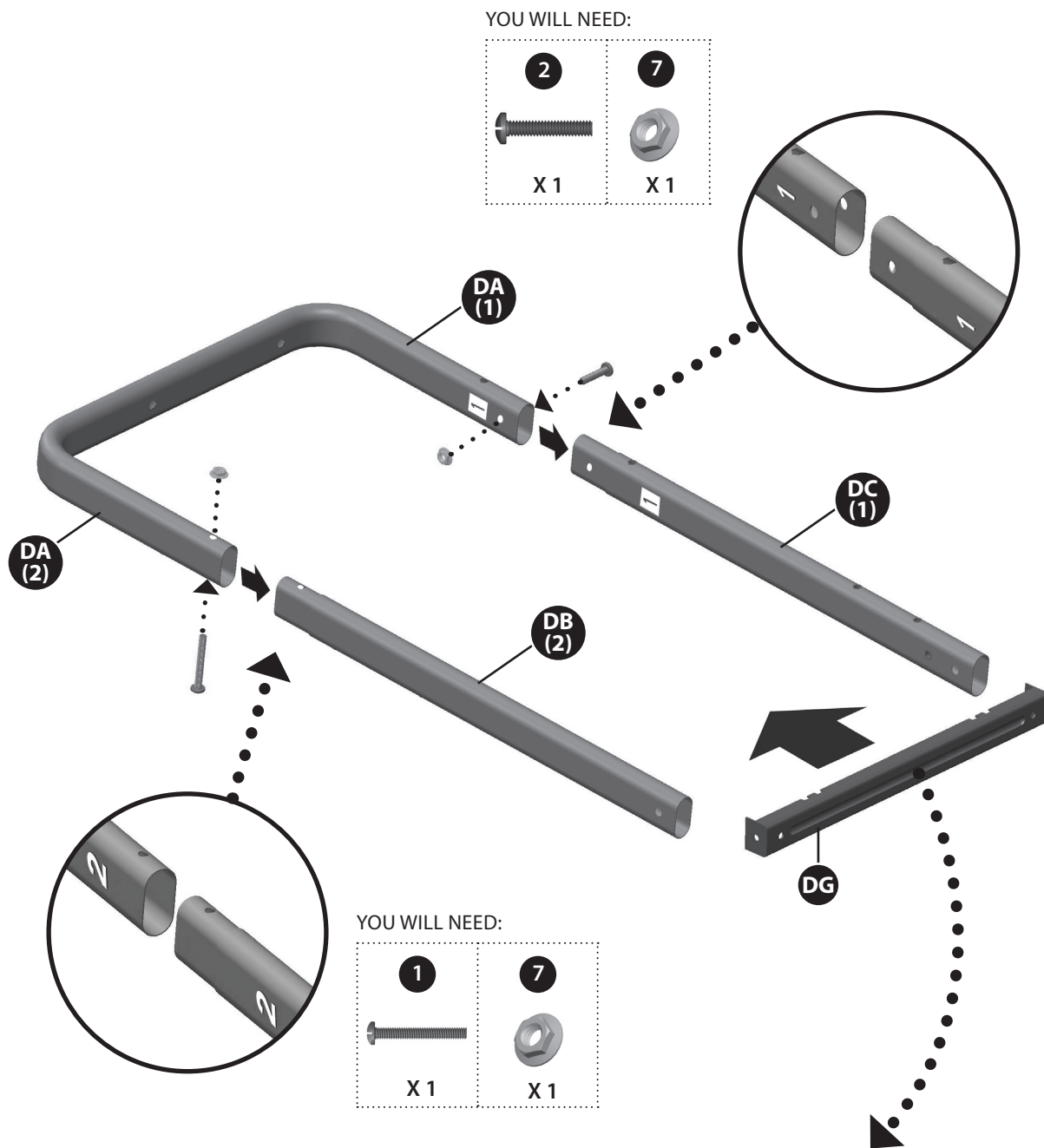


# EXPLODED DIAGRAM (PROPANE) FOR 085-3135-0 / G32008



# ASSEMBLY INSTRUCTIONS

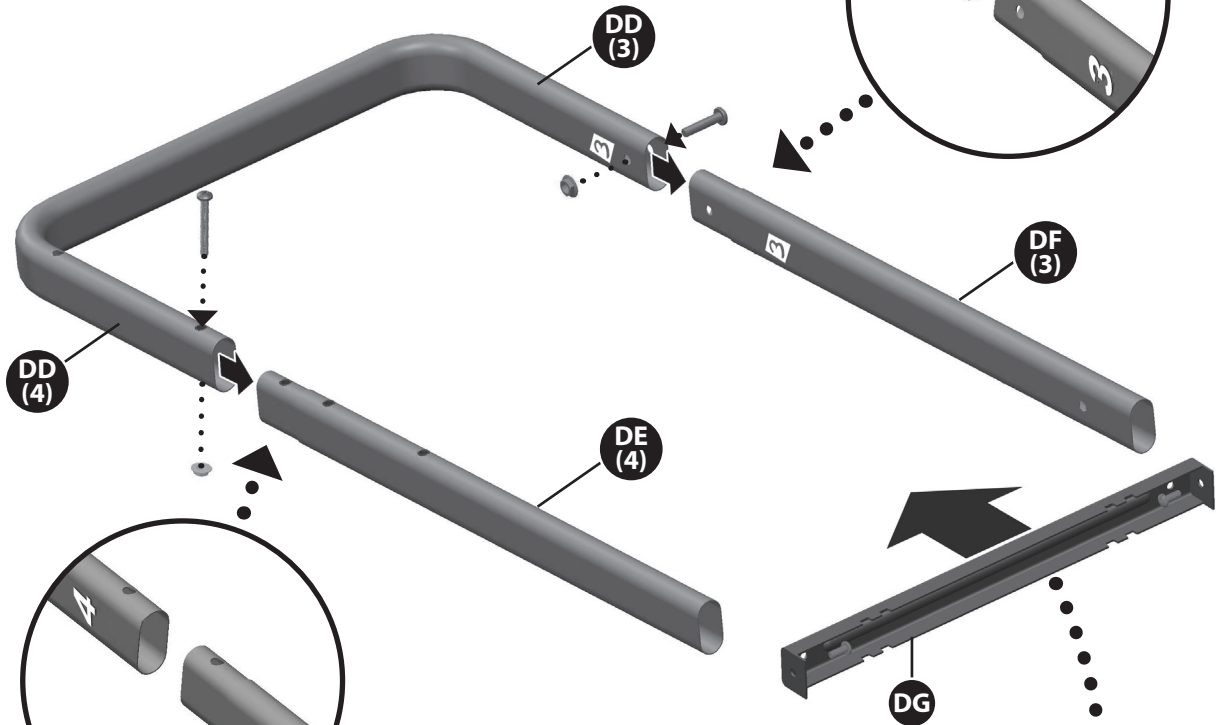
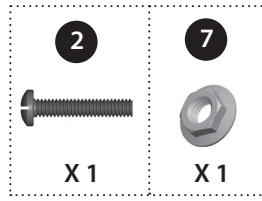
# 1



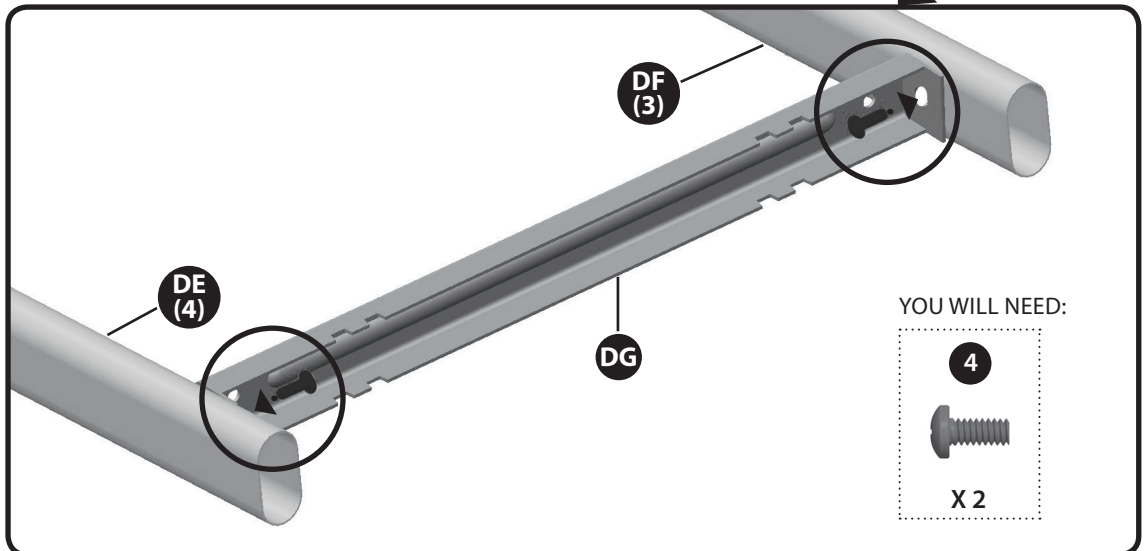
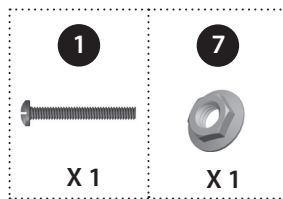
# ASSEMBLY INSTRUCTIONS

# 2

YOU WILL NEED:

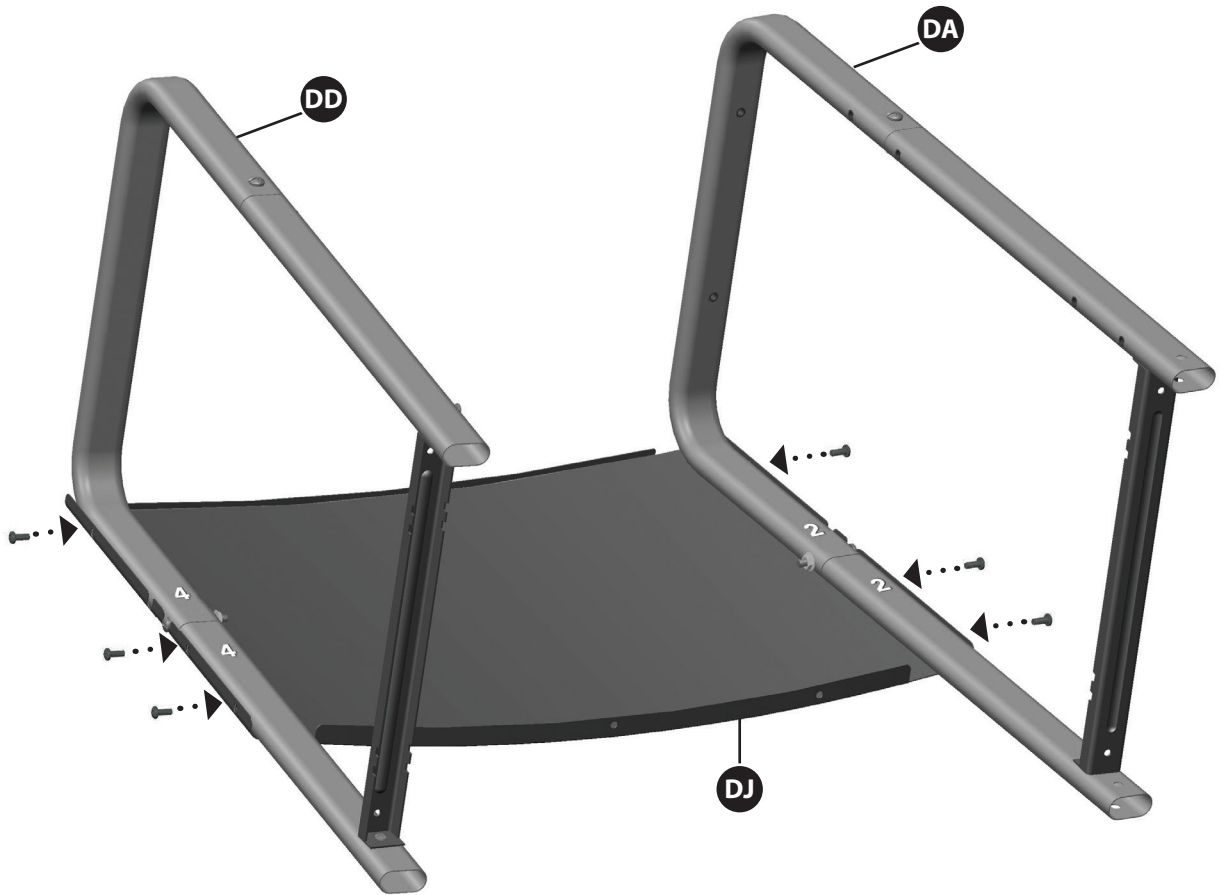


YOU WILL NEED:

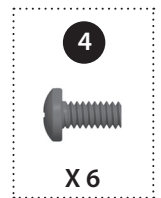


# ASSEMBLY INSTRUCTIONS

# 3

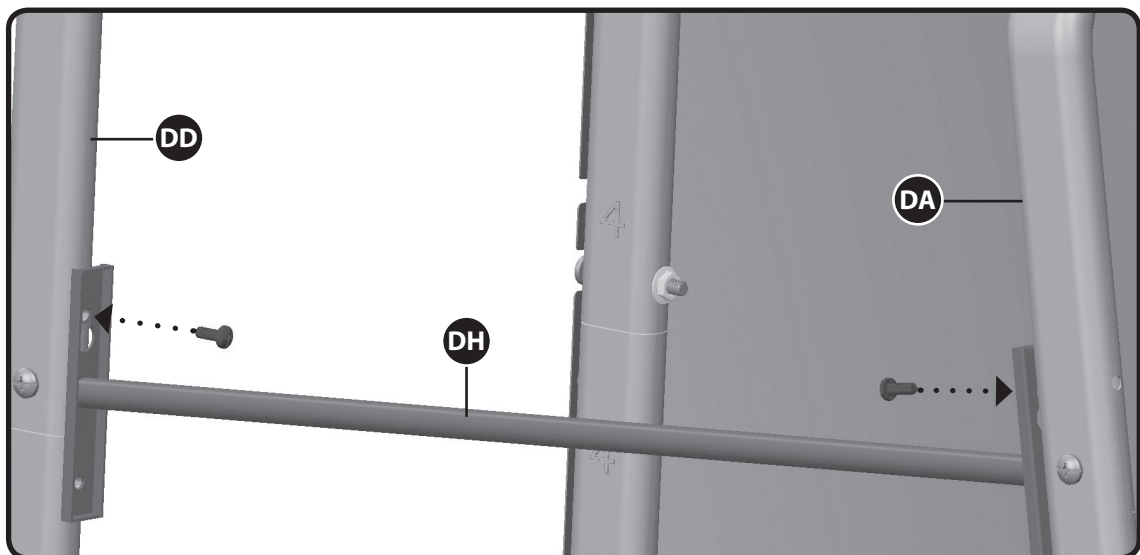


YOU WILL NEED:

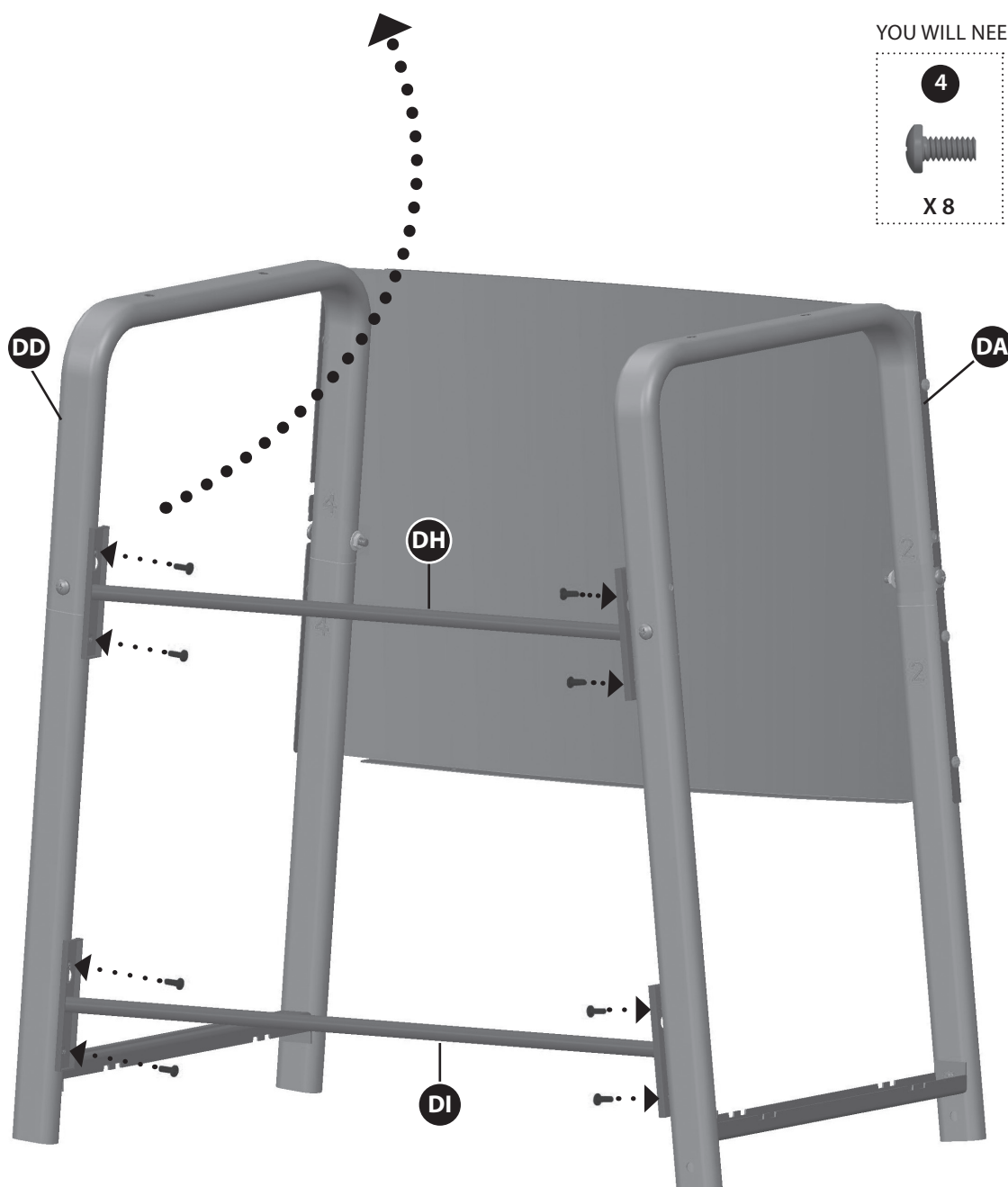
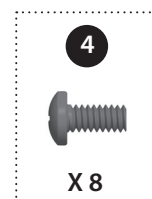


# ASSEMBLY INSTRUCTIONS

# 4

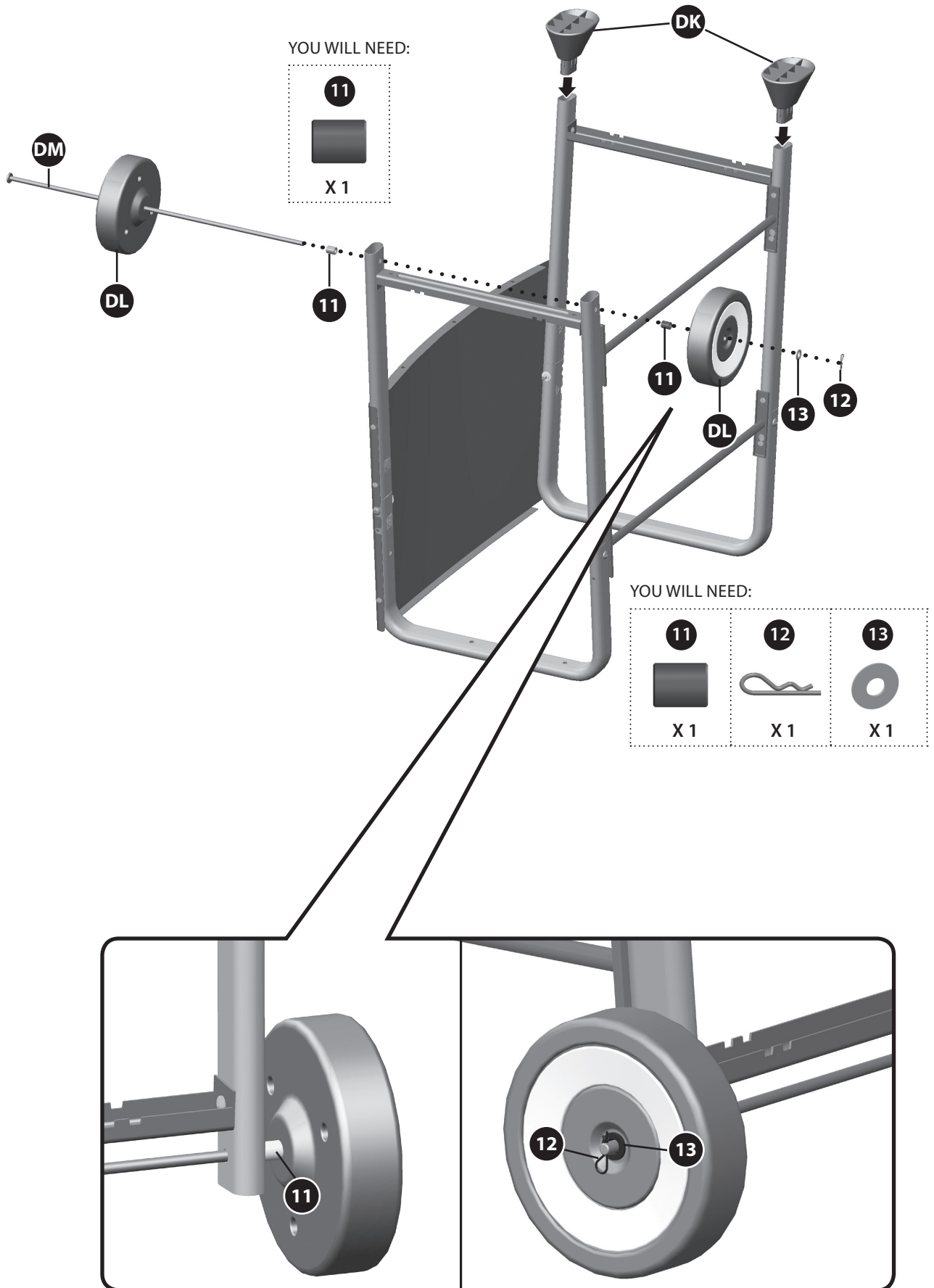


YOU WILL NEED:

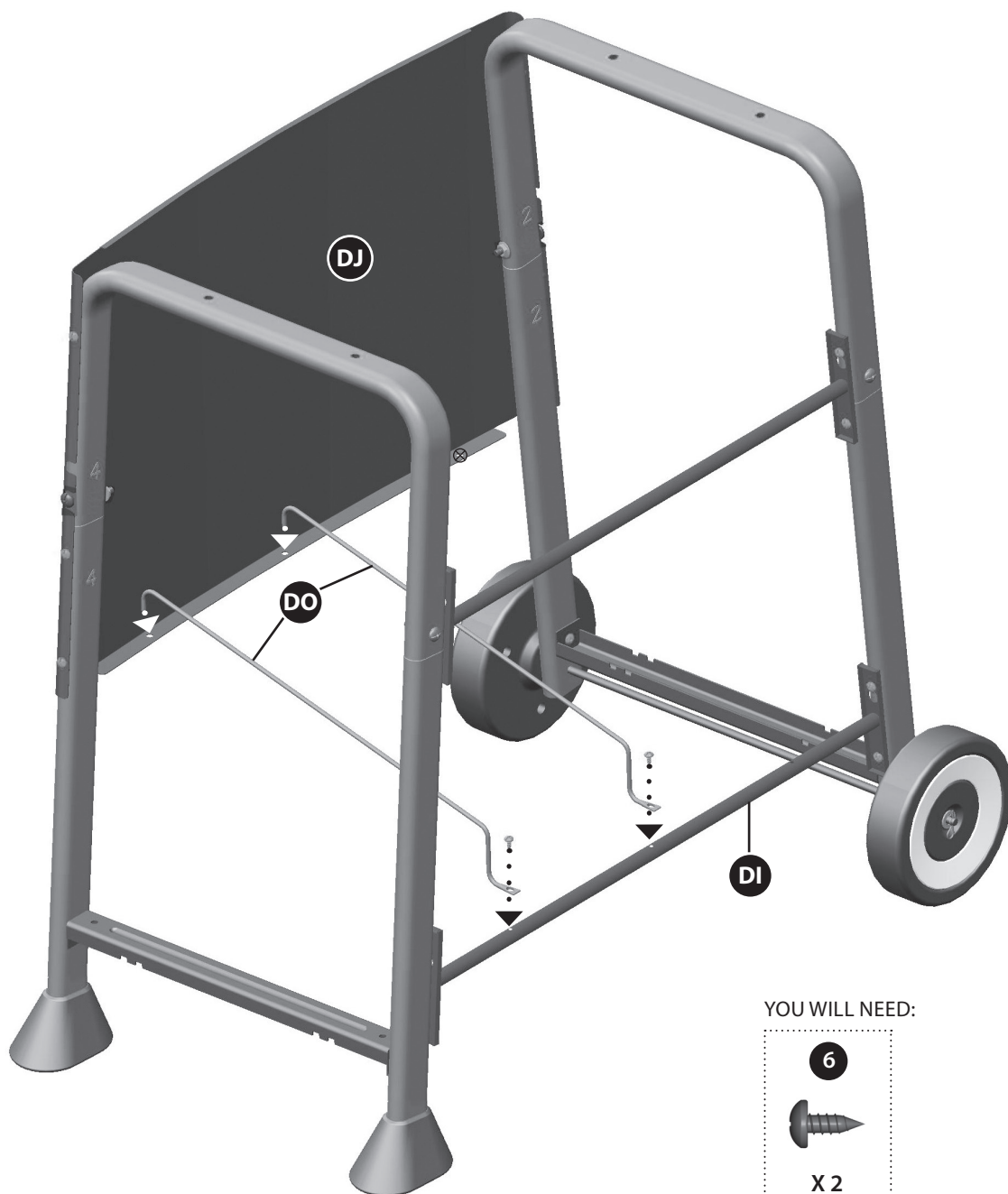


# ASSEMBLY INSTRUCTIONS

# 5



## 6

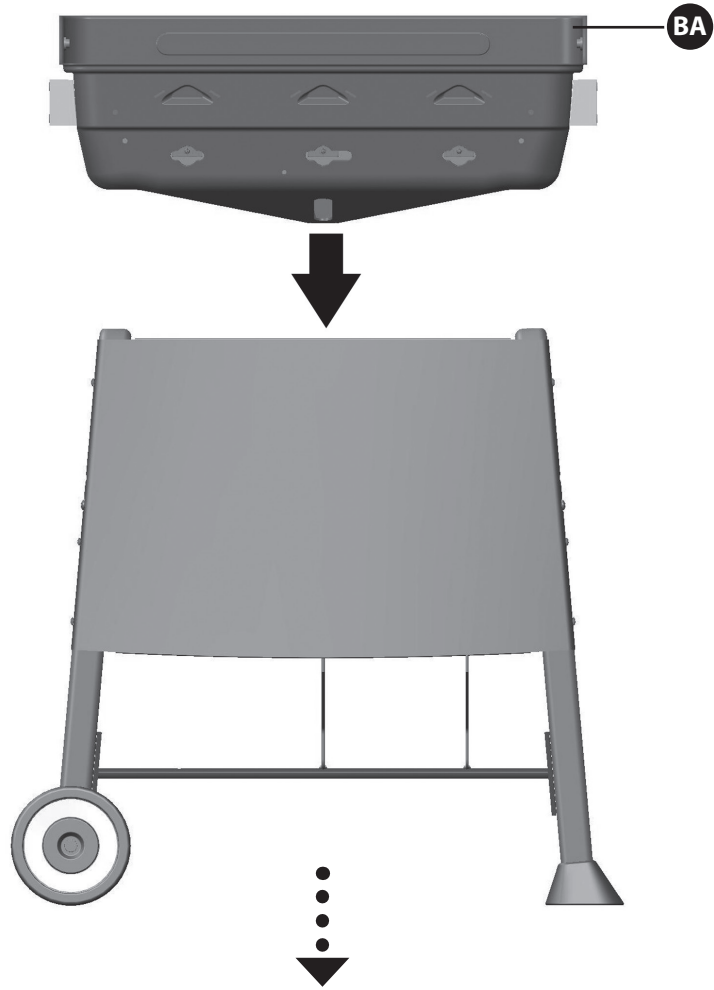




# ASSEMBLY INSTRUCTIONS

# 7

## A



## B

YOU WILL NEED:

4



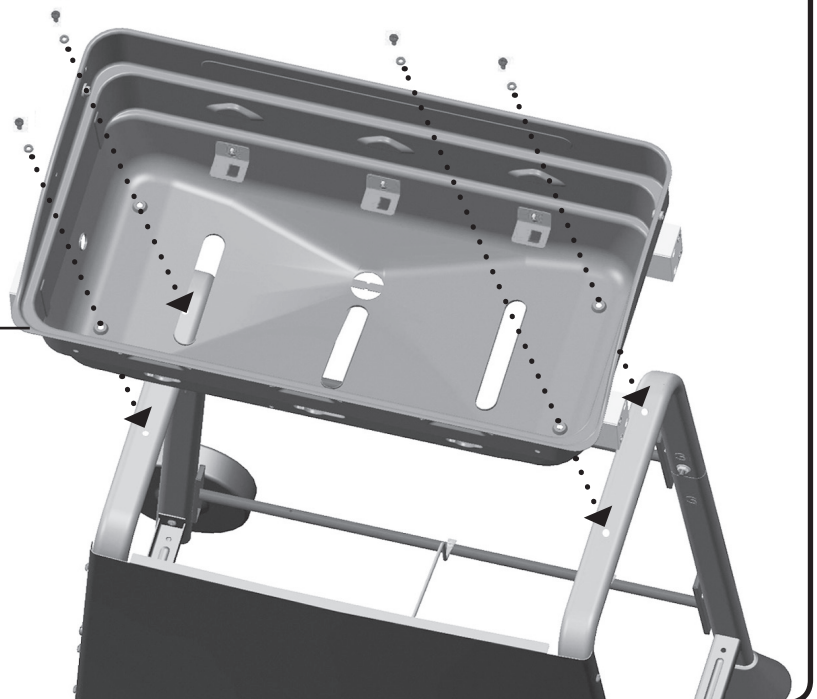
X 4

9



X 4

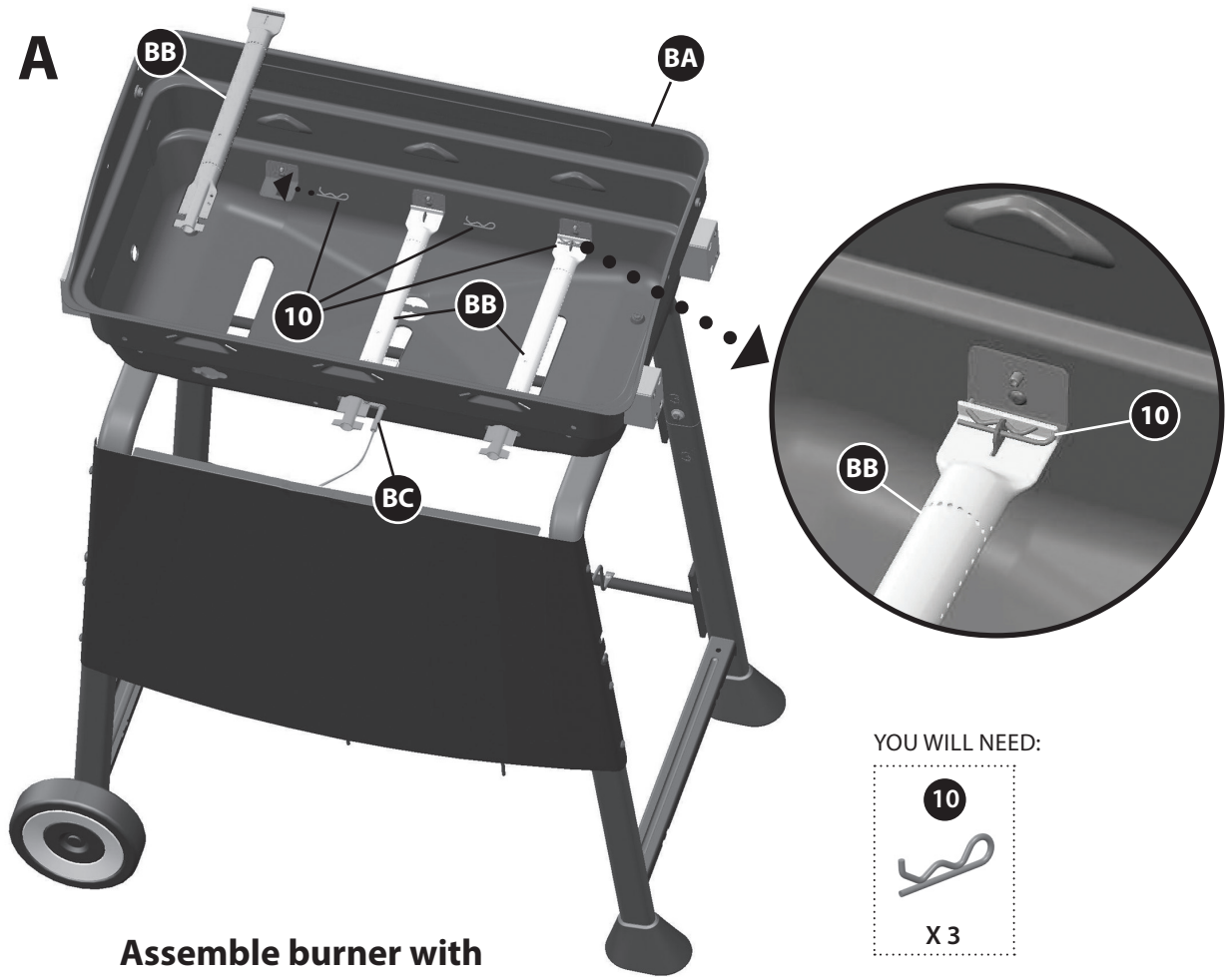
BA



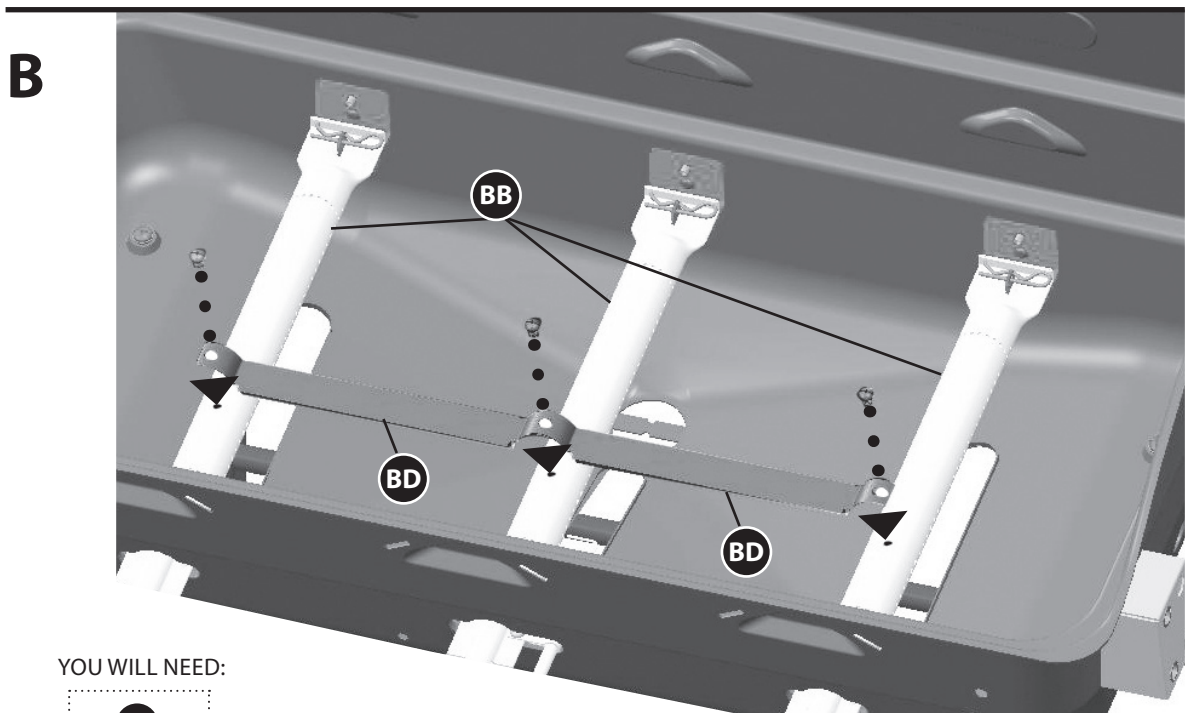


# ASSEMBLY INSTRUCTIONS

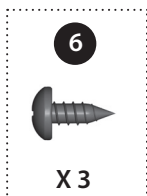
# 8



**Assemble burner with electrode in the middle.**



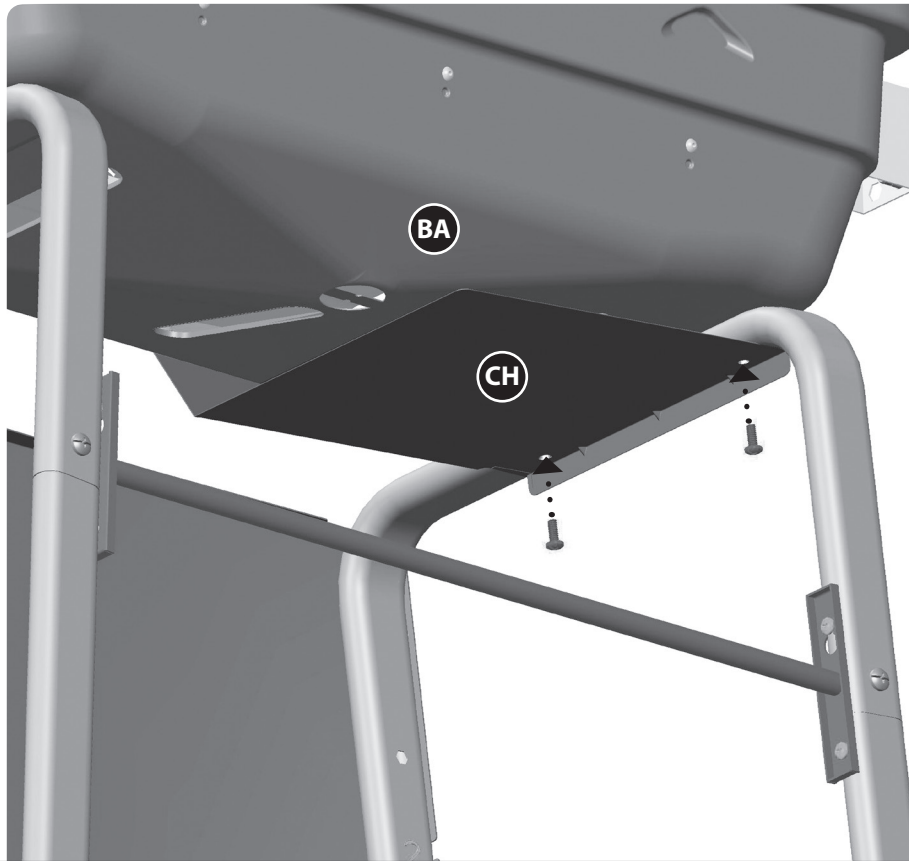
**YOU WILL NEED:**



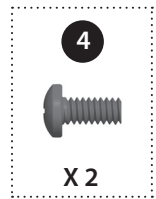
# ASSEMBLY INSTRUCTIONS

# 9

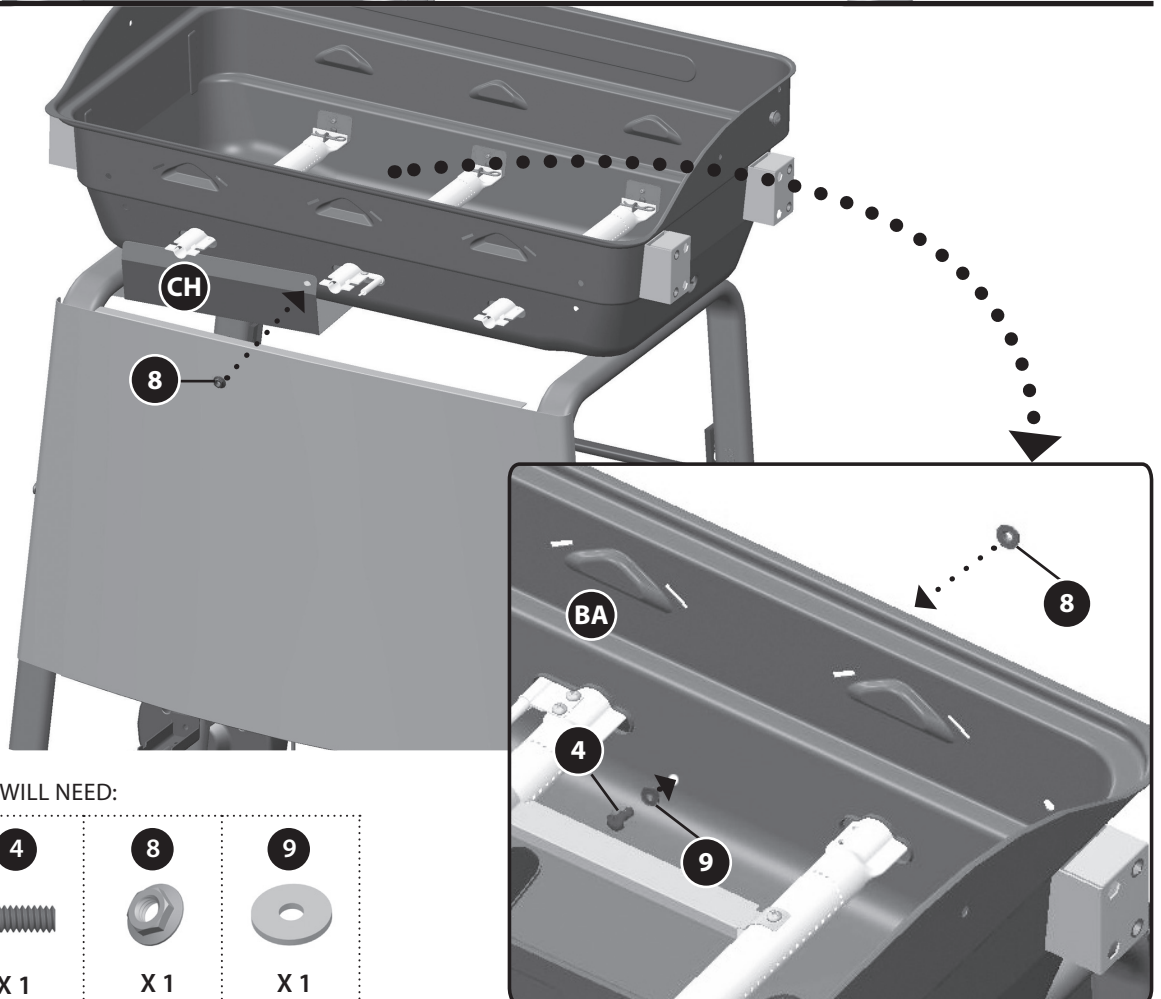
## A



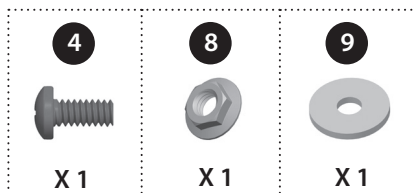
YOU WILL NEED:



## B

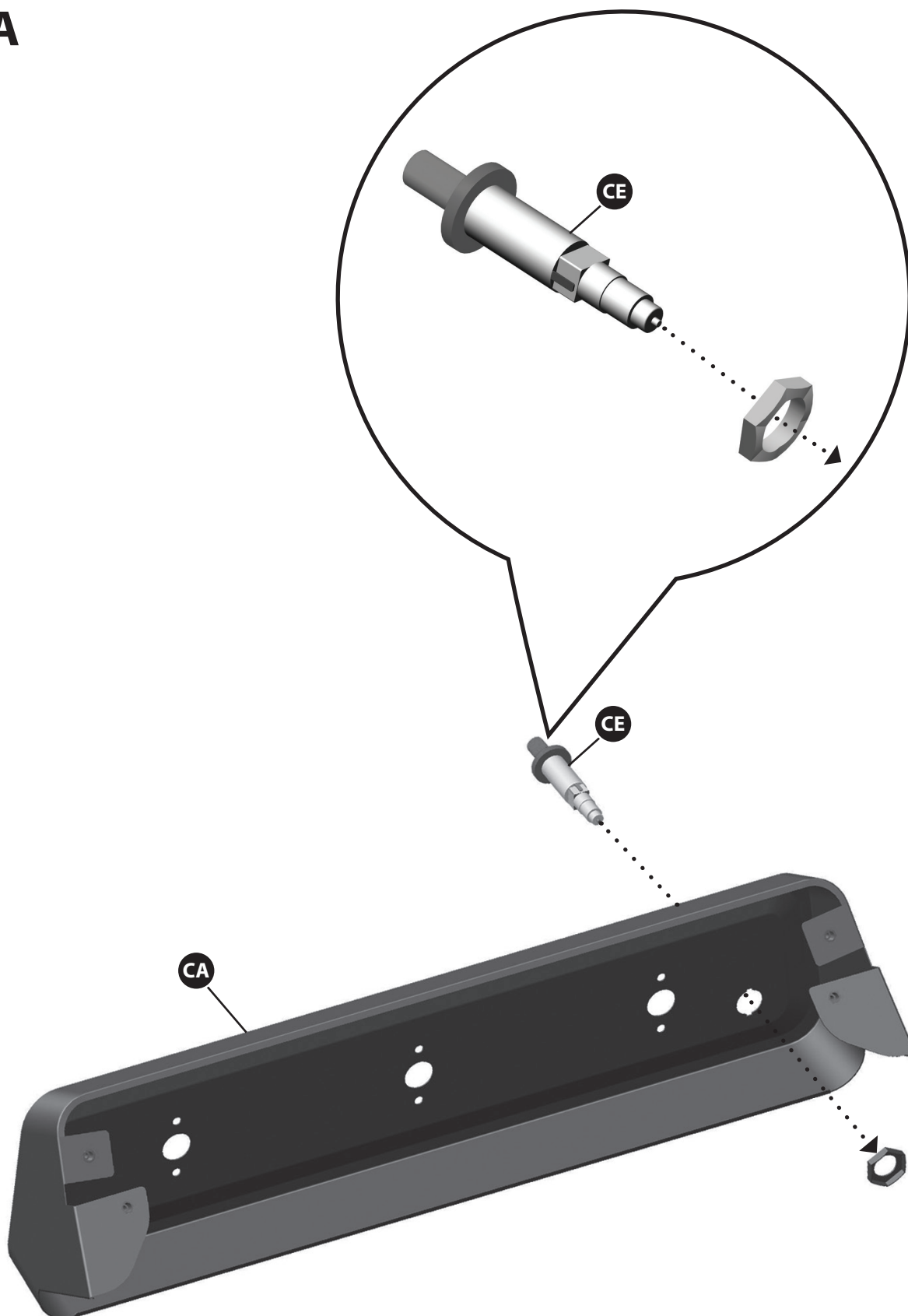


YOU WILL NEED:



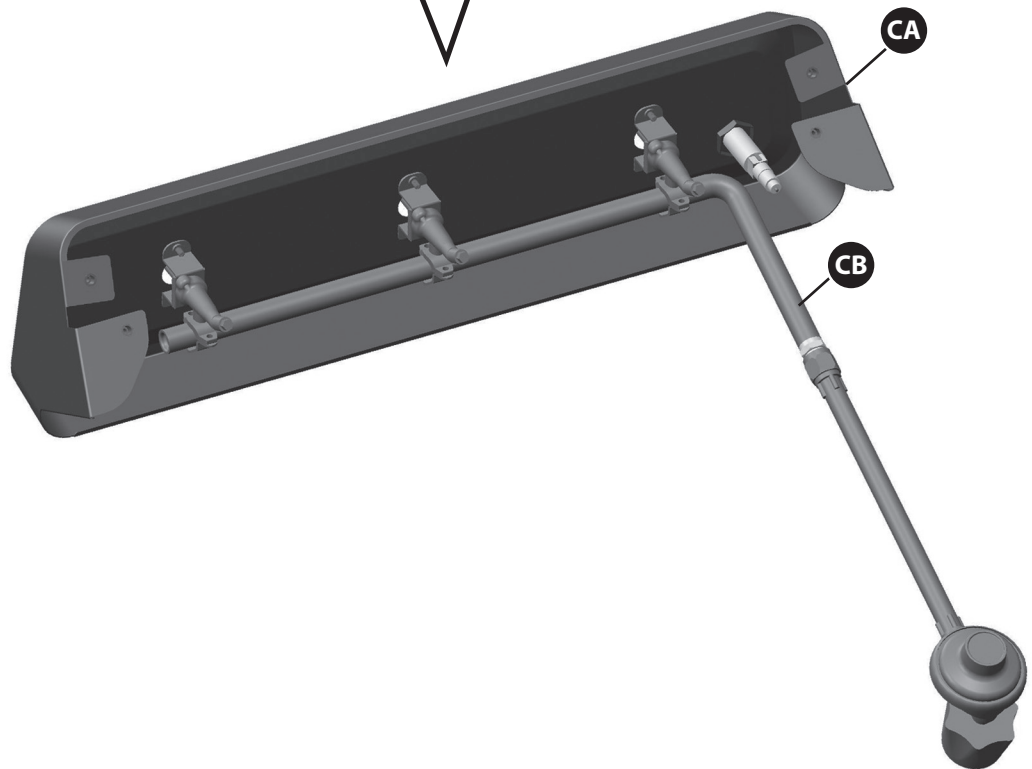
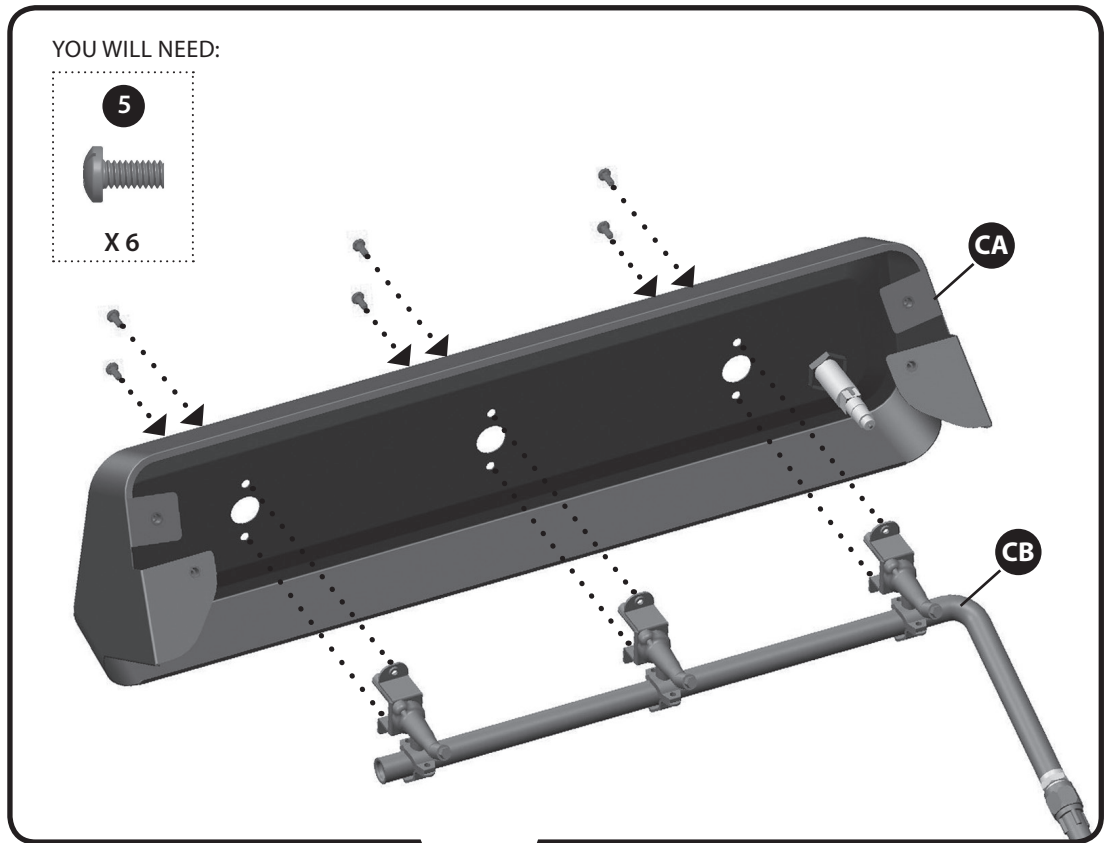
10

A



# 10

## B

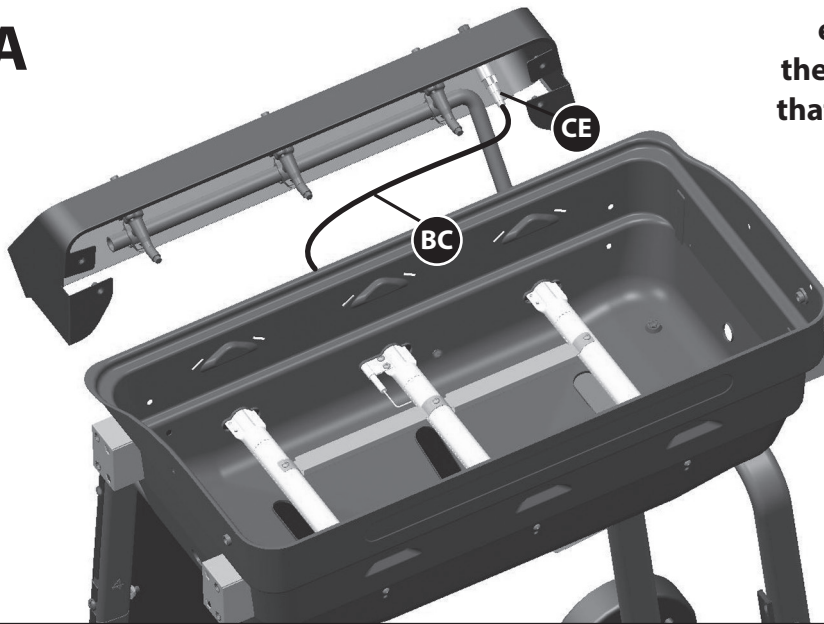


# ASSEMBLY INSTRUCTIONS

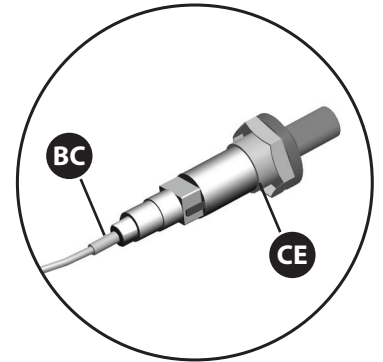
# 11

**ATTENTION: YOU WILL NEED TWO PEOPLE FOR THIS STEP.**

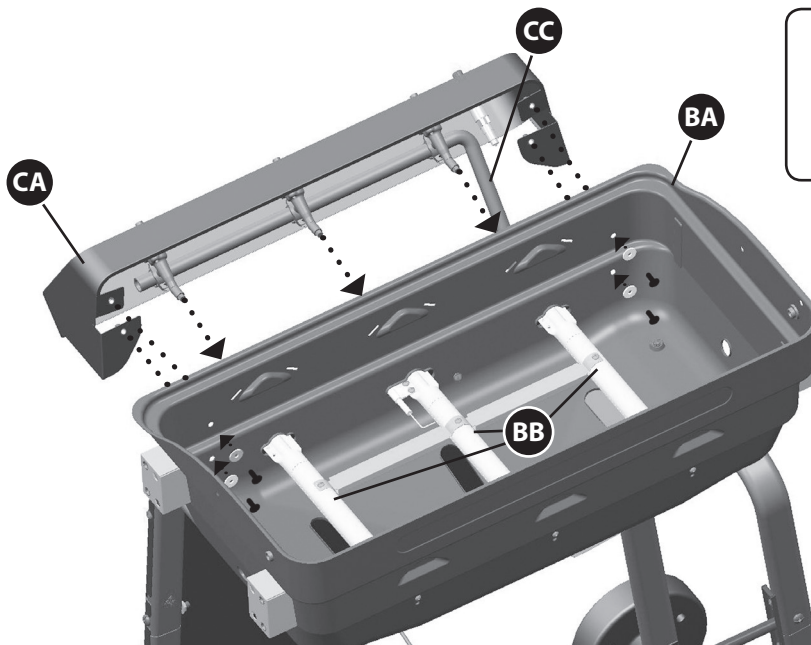
## A



Attach the main burner electrode wire (BC) to the ignitor (CE). Make sure that the electrode wire (BC) is pushed in firmly.

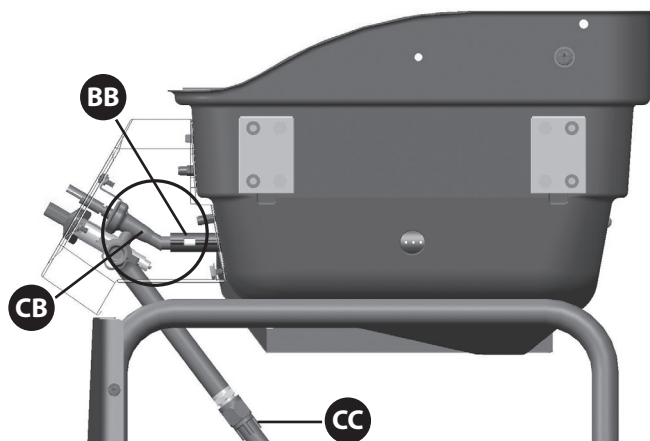
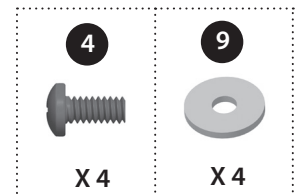


## B



**▲ IMPORTANT:**  
Position regulator (CC) on the inside of the cart.

YOU WILL NEED:



**Position Valves (CB) into Burner Tubes (BB) before assembling.**



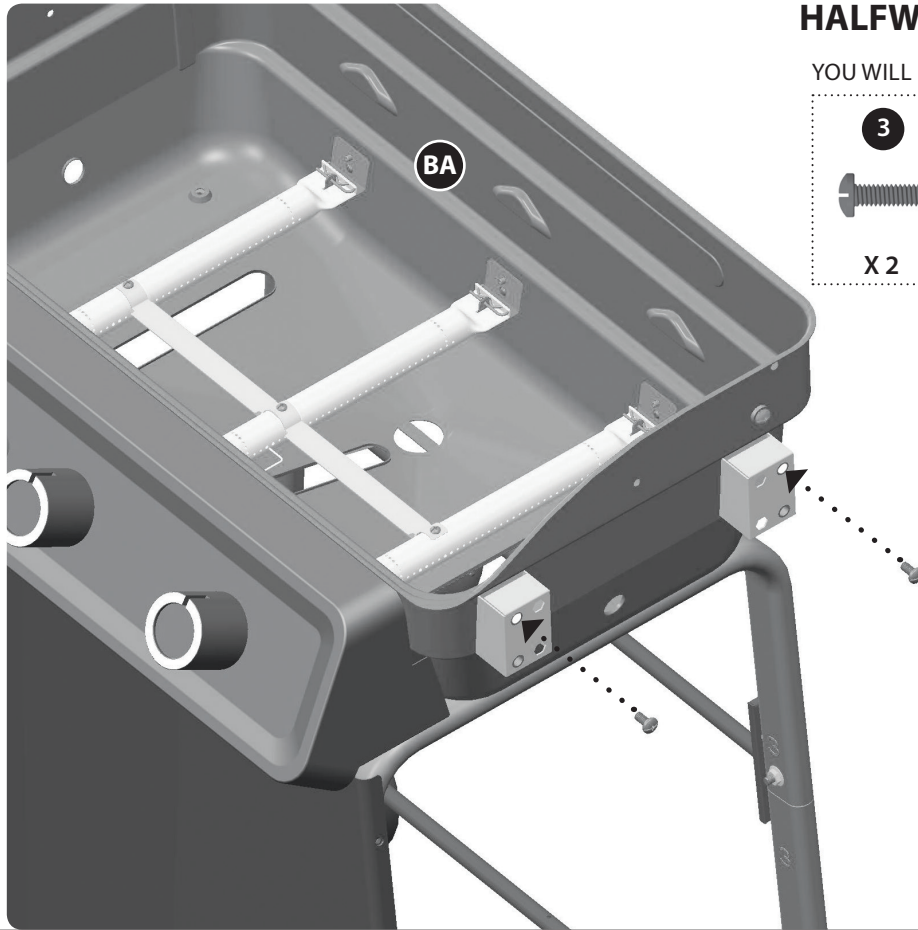
12



# ASSEMBLY INSTRUCTIONS

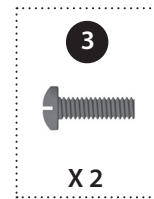
# 13

## A



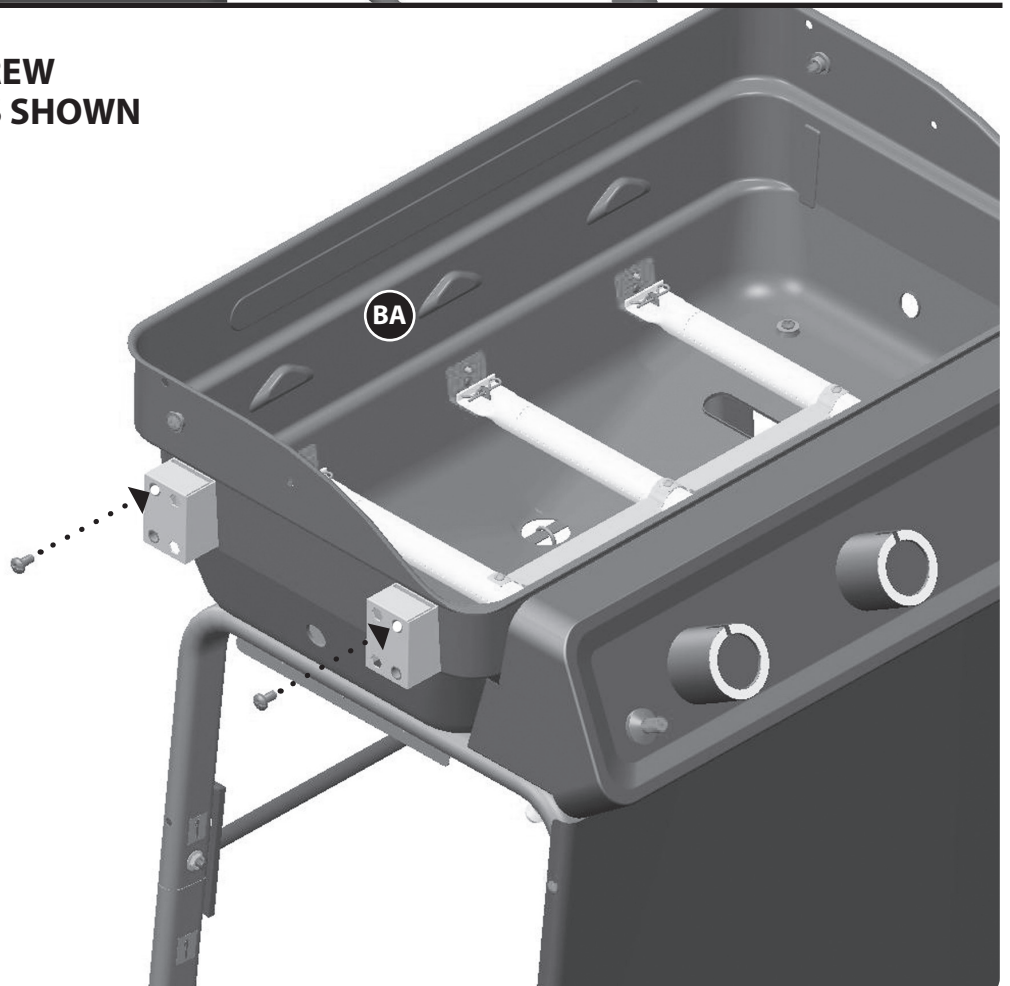
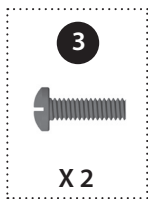
**TIGHTEN SCREW  
HALFWAY, AS SHOWN**

YOU WILL NEED:



**TIGHTEN SCREW  
HALFWAY, AS SHOWN**

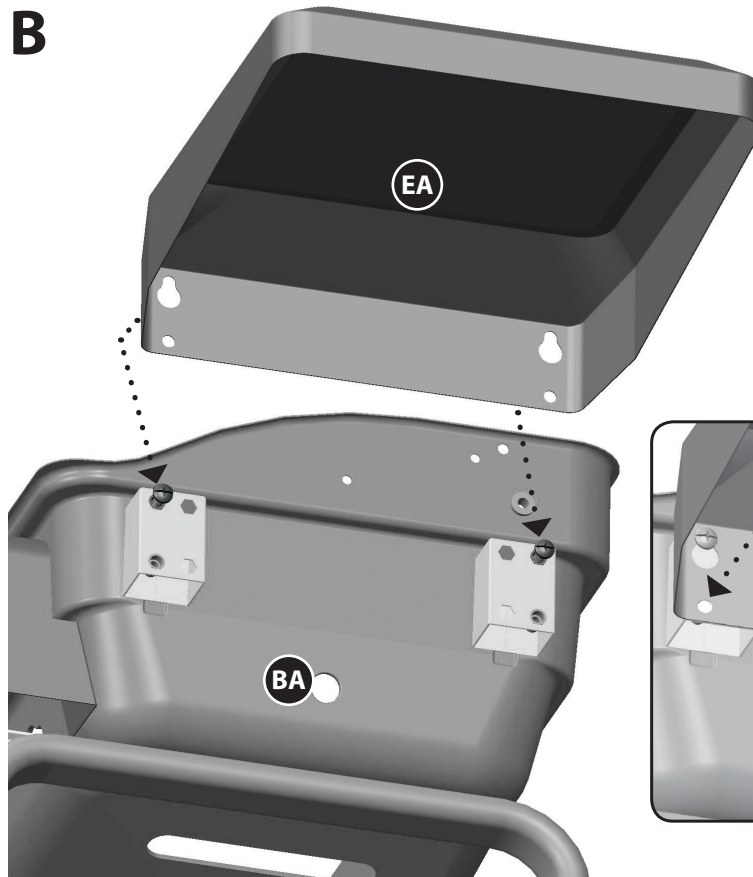
YOU WILL NEED:



# ASSEMBLY INSTRUCTIONS

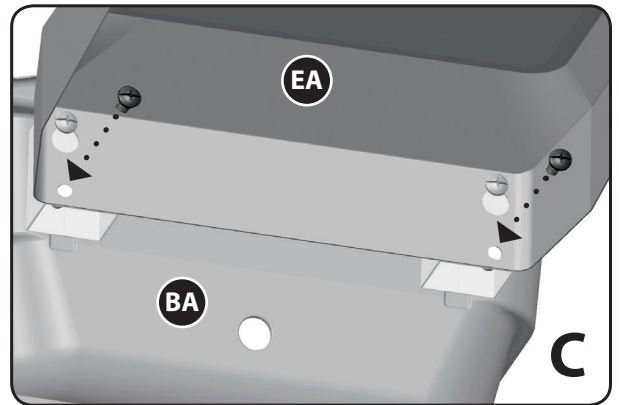
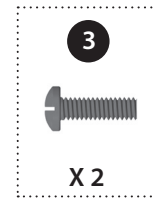
# 13

## B



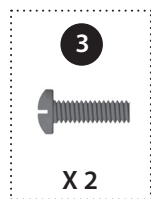
### TIGHTEN ALL SCREWS

YOU WILL NEED:

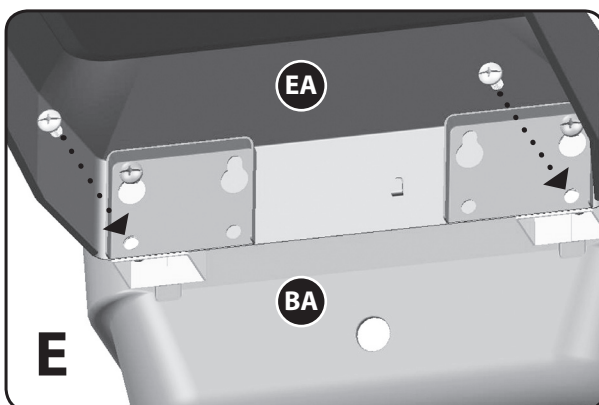
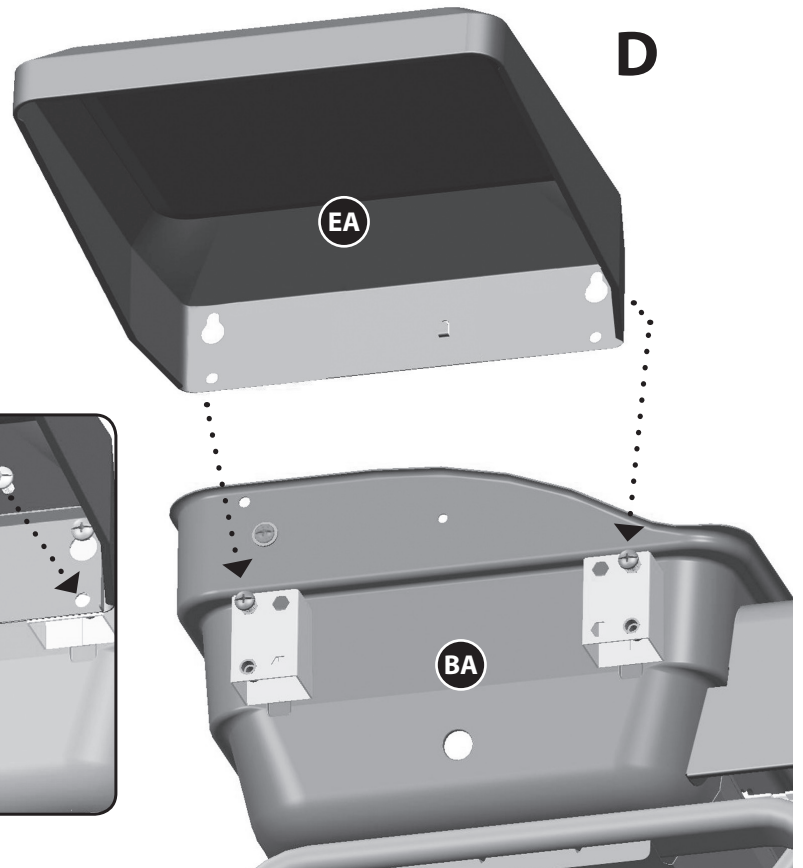


### TIGHTEN ALL SCREWS

YOU WILL NEED:



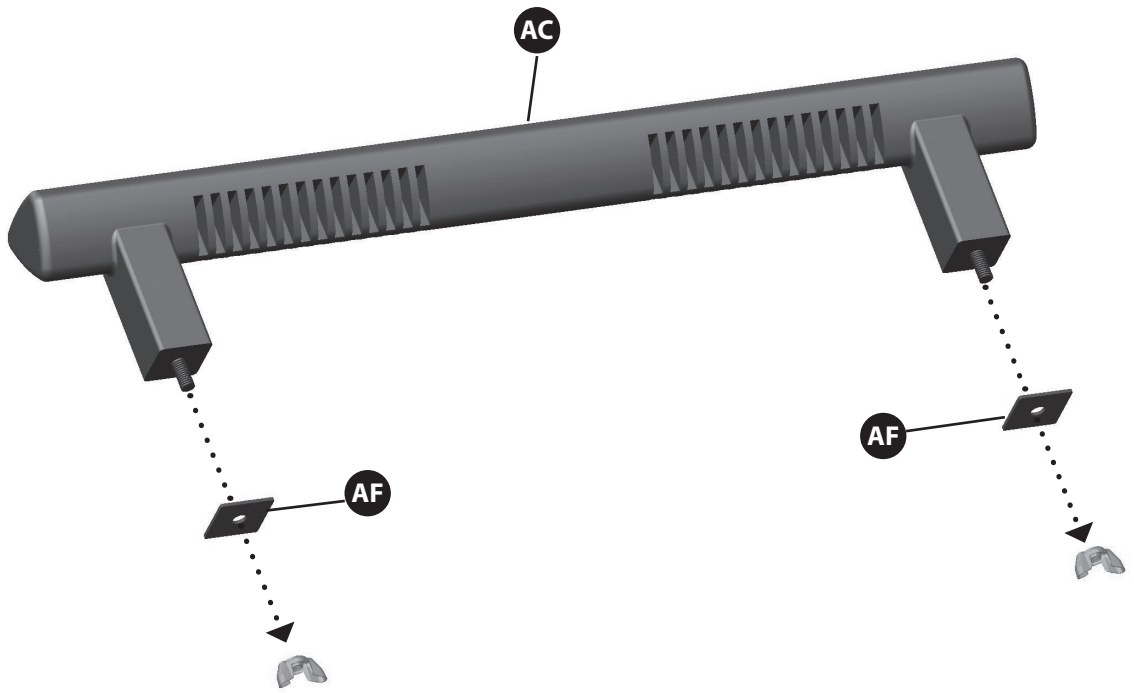
## D



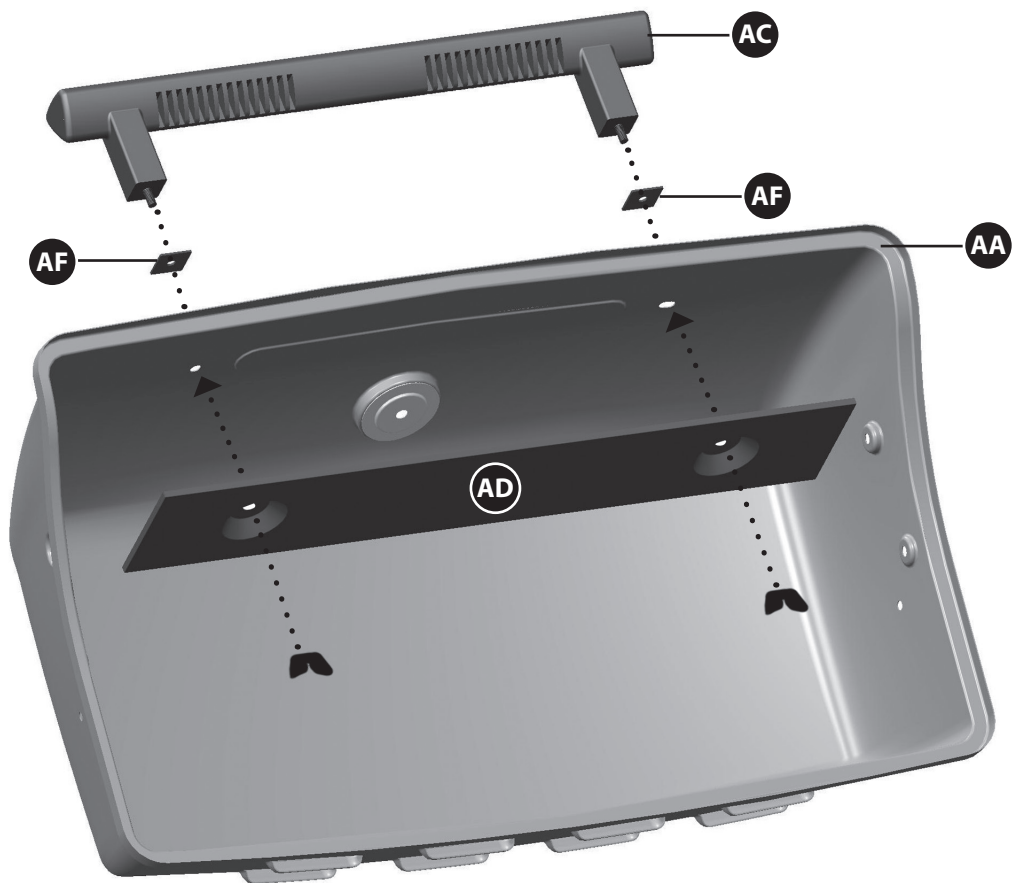


14

A



B

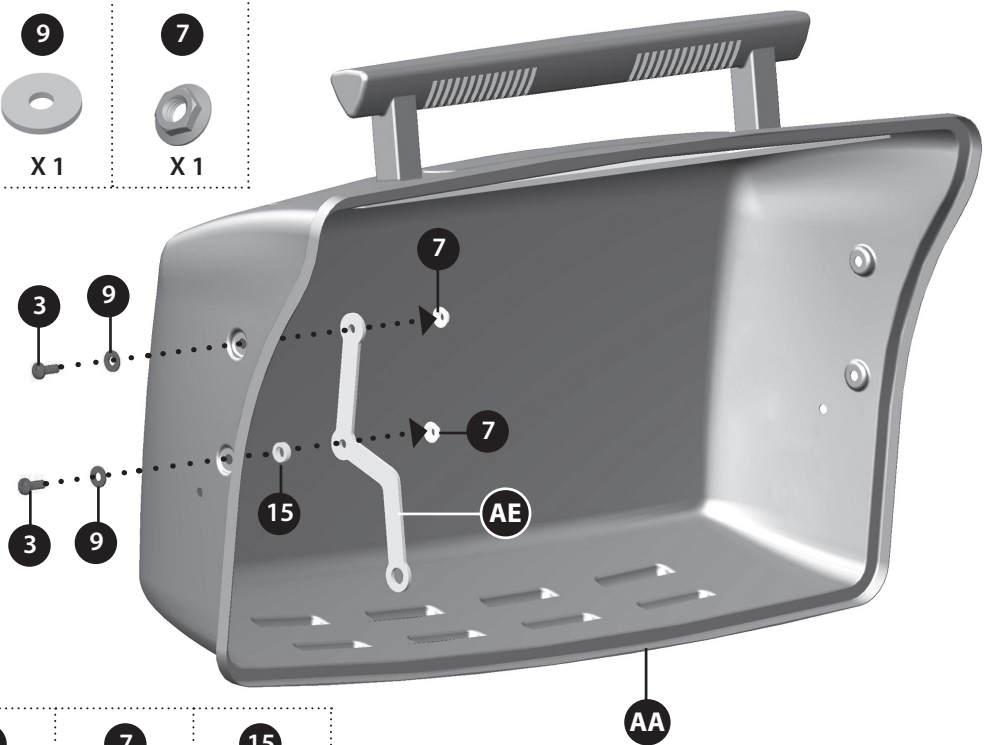
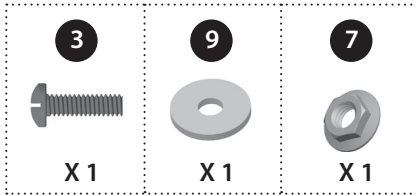


# ASSEMBLY INSTRUCTIONS

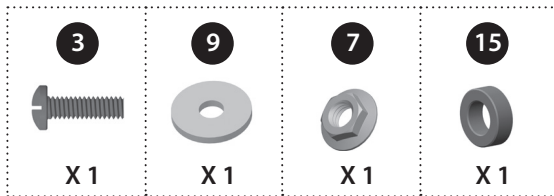
# 14

## C

YOU WILL NEED:

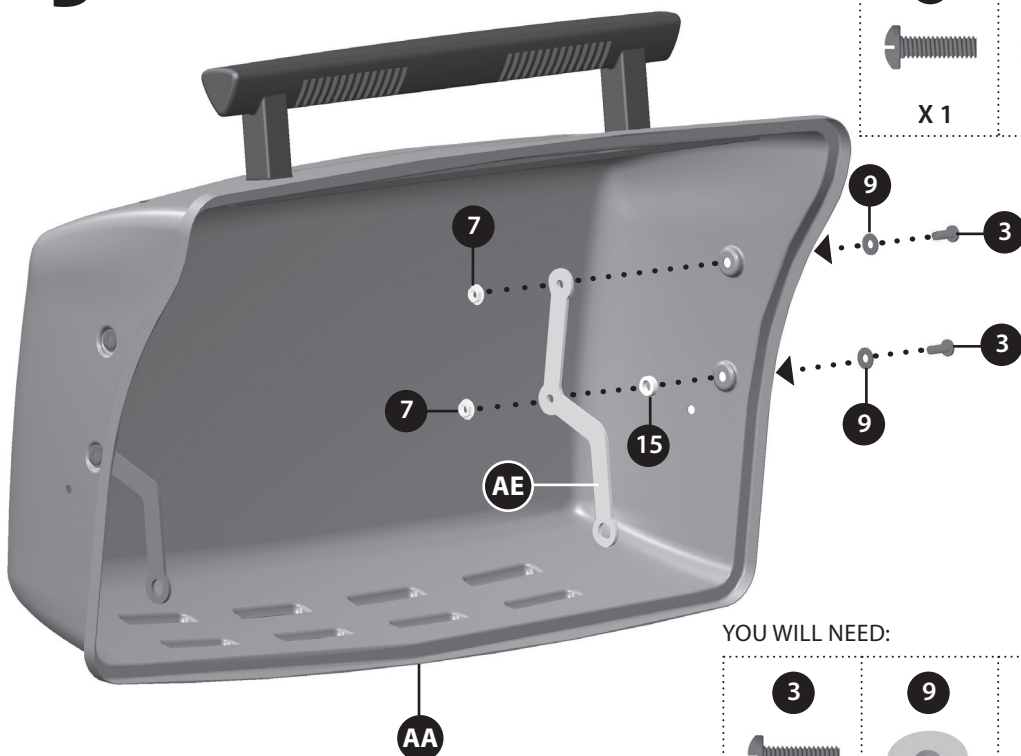
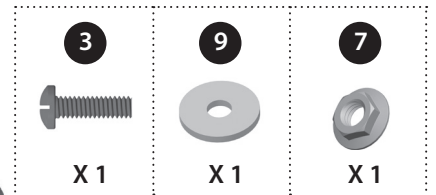


YOU WILL NEED:

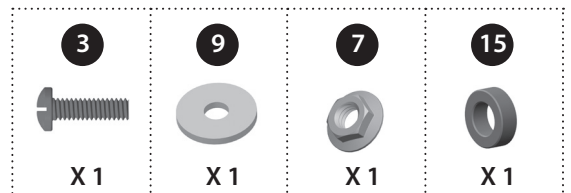


## D

YOU WILL NEED:

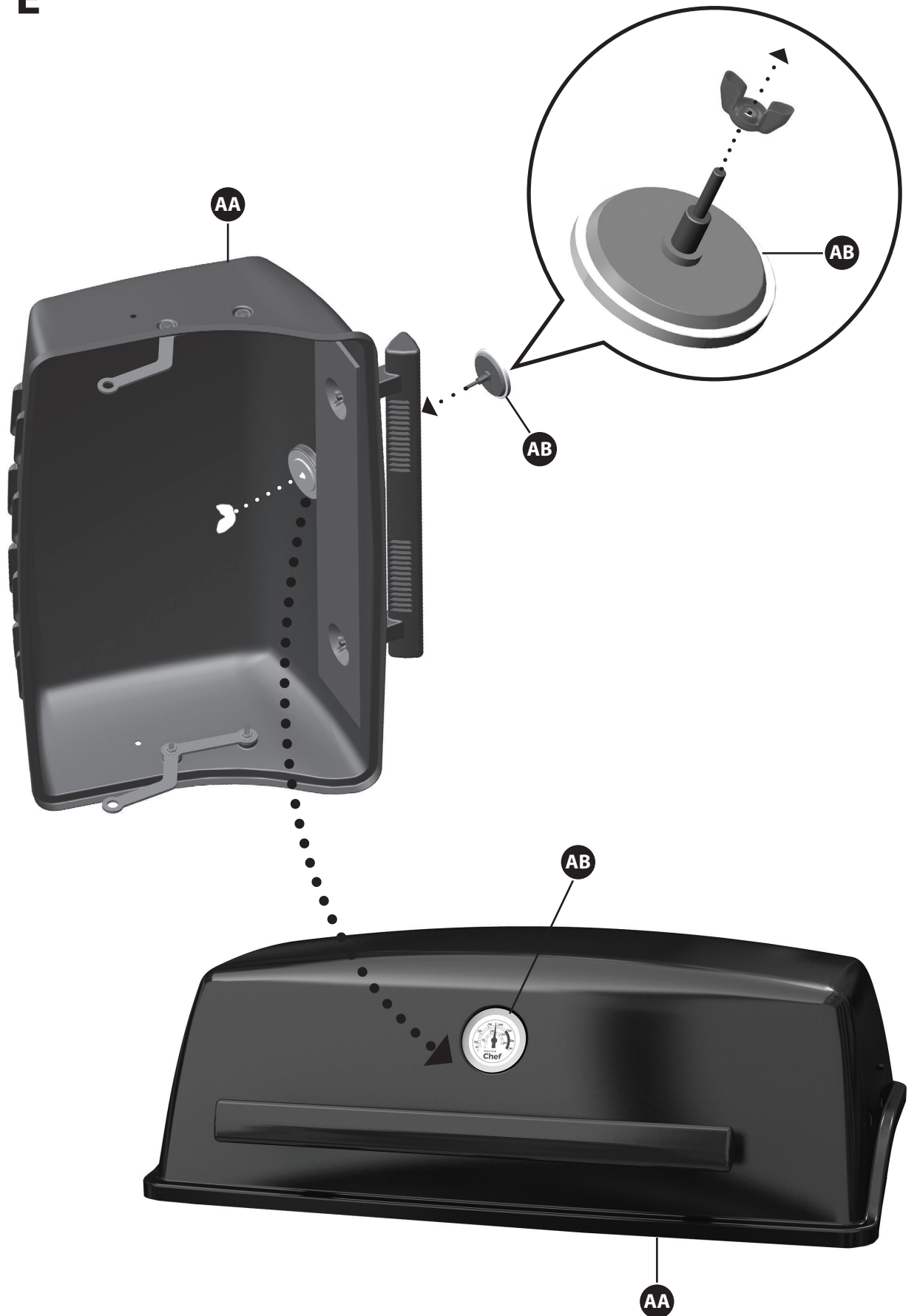


YOU WILL NEED:



14

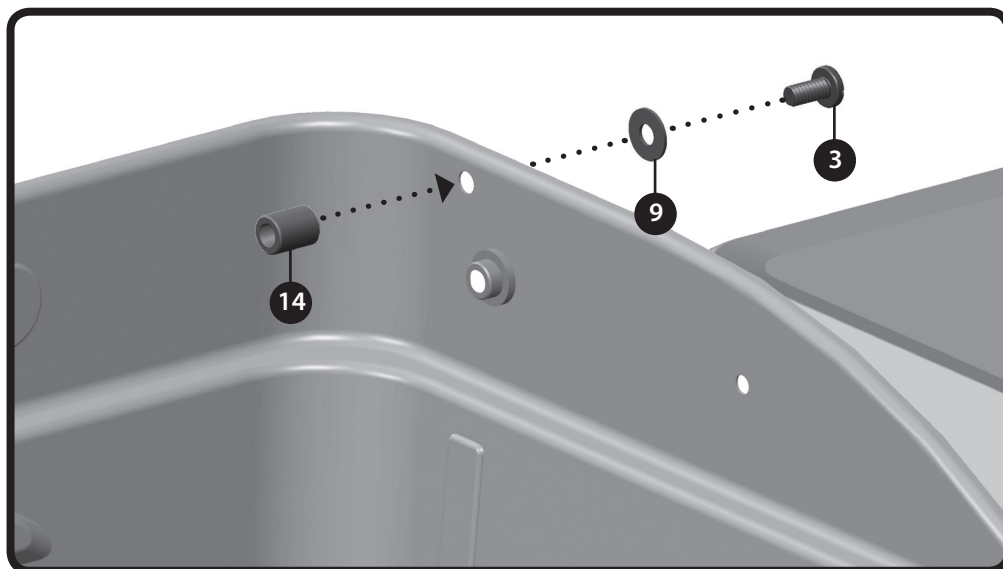
E



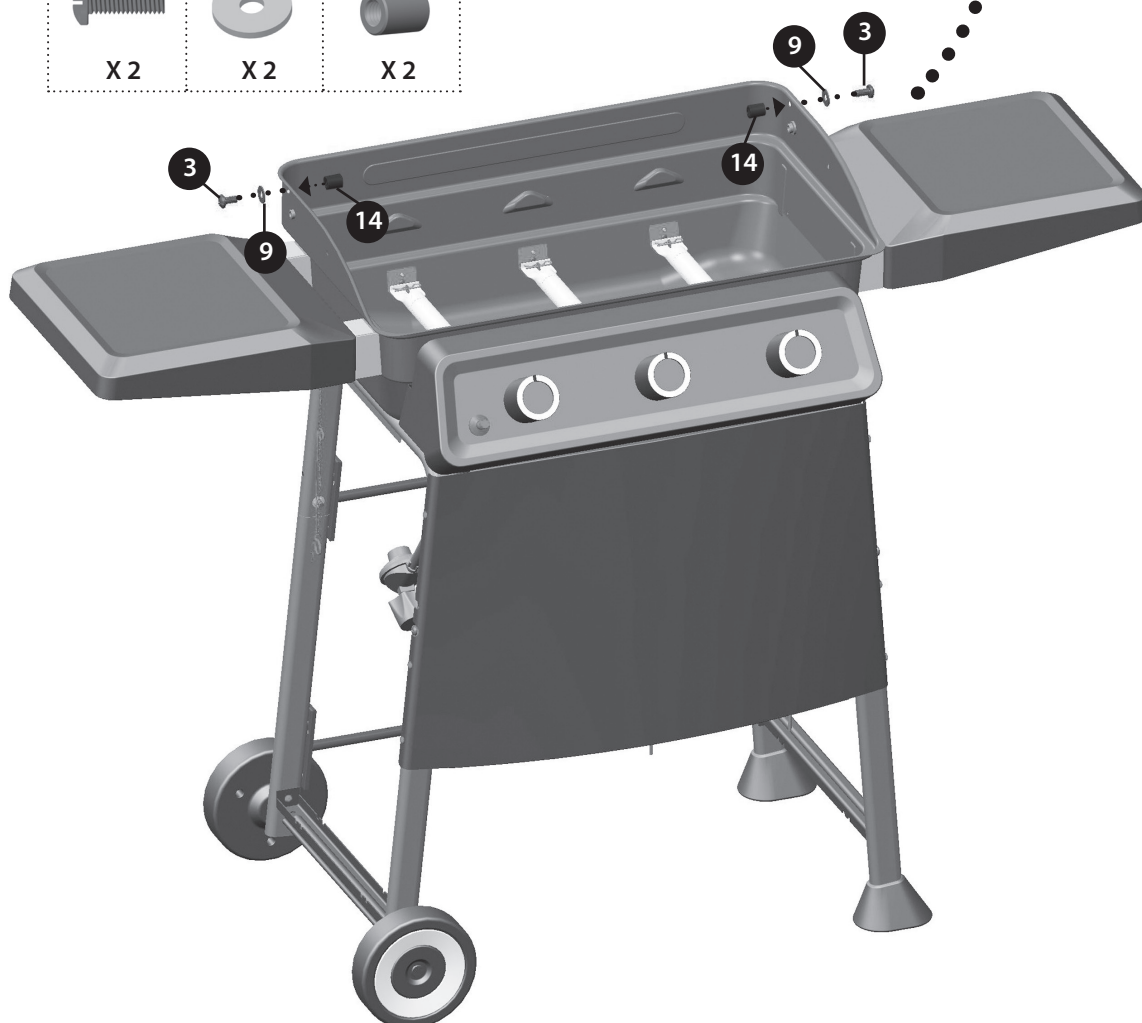
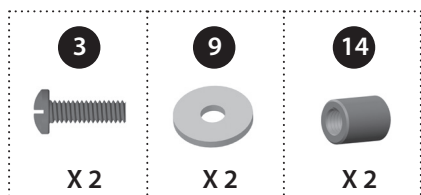
# ASSEMBLY INSTRUCTIONS

# 15

## A



YOU WILL NEED:



# ASSEMBLY INSTRUCTIONS

# 15

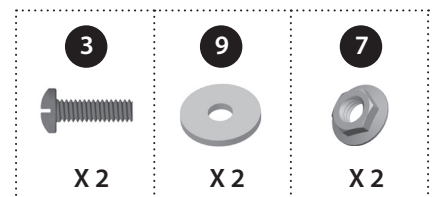
**ATTENTION: YOU WILL NEED TWO PEOPLE FOR THIS STEP.**

**B**

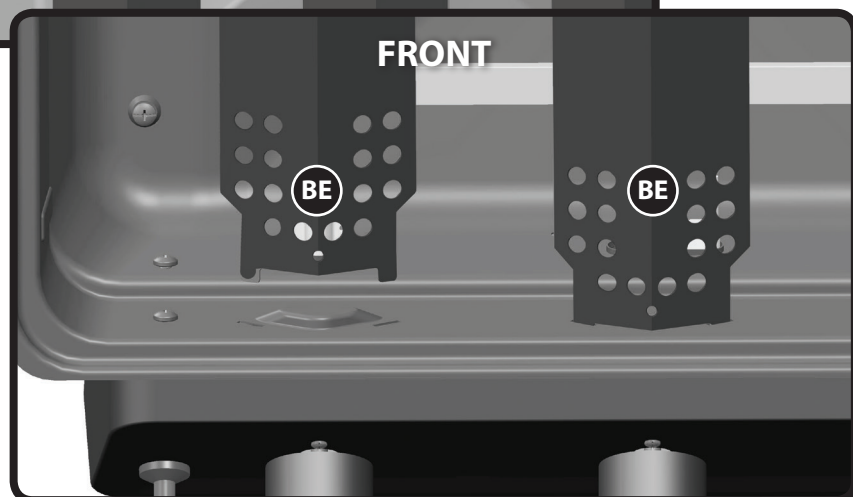
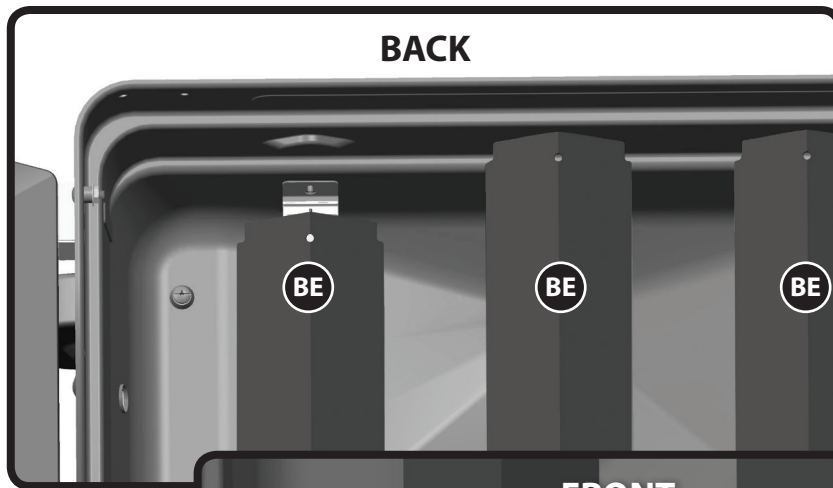


**C**

YOU WILL NEED:

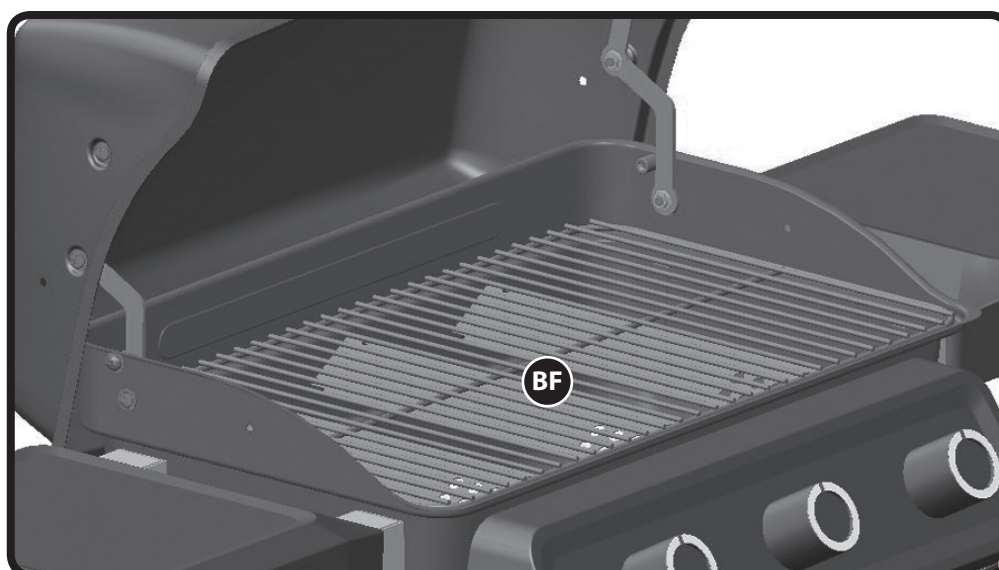


16

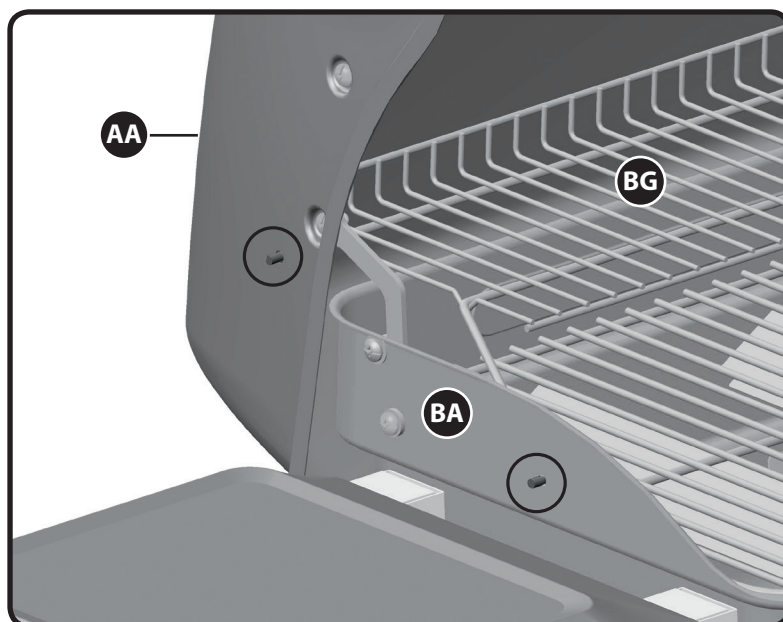




17

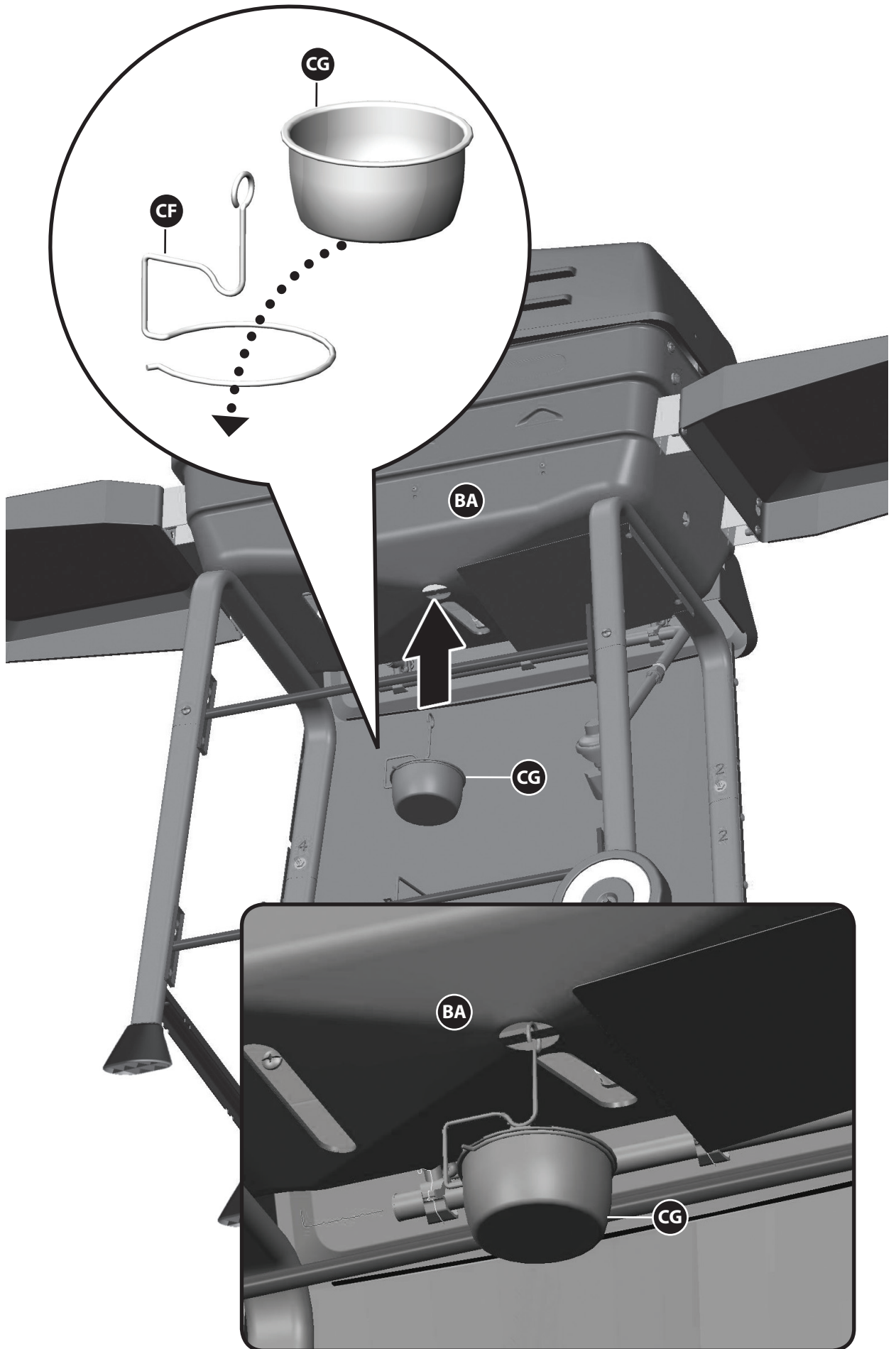


18

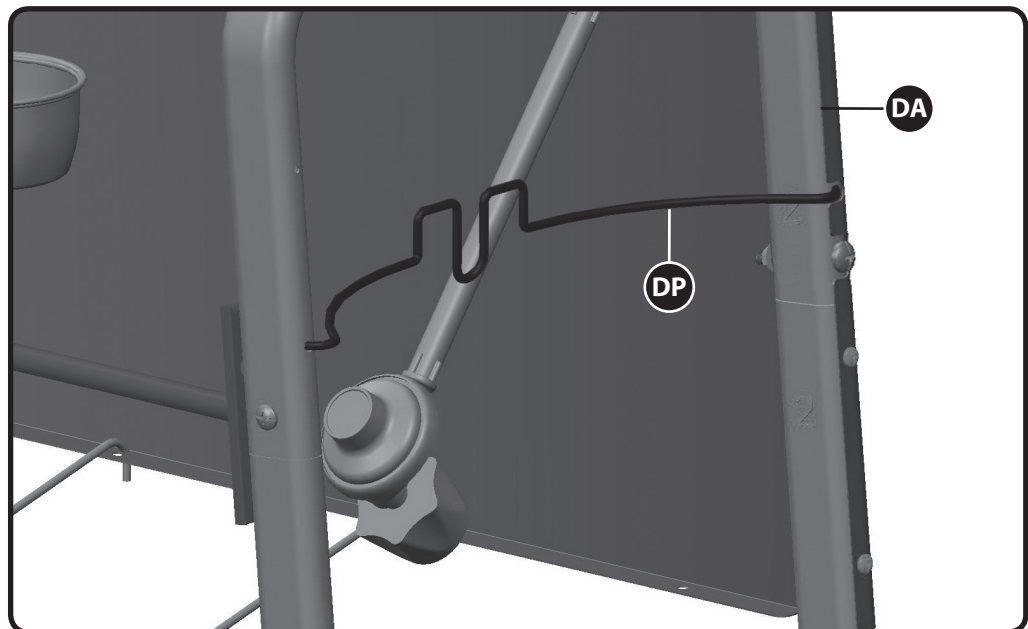




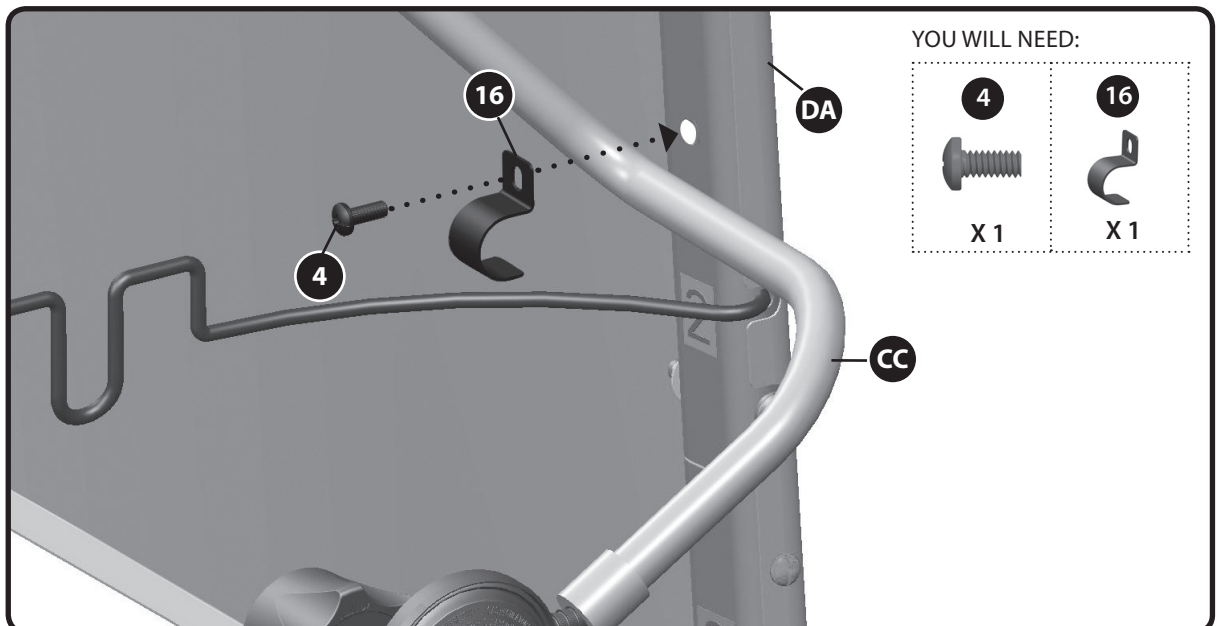
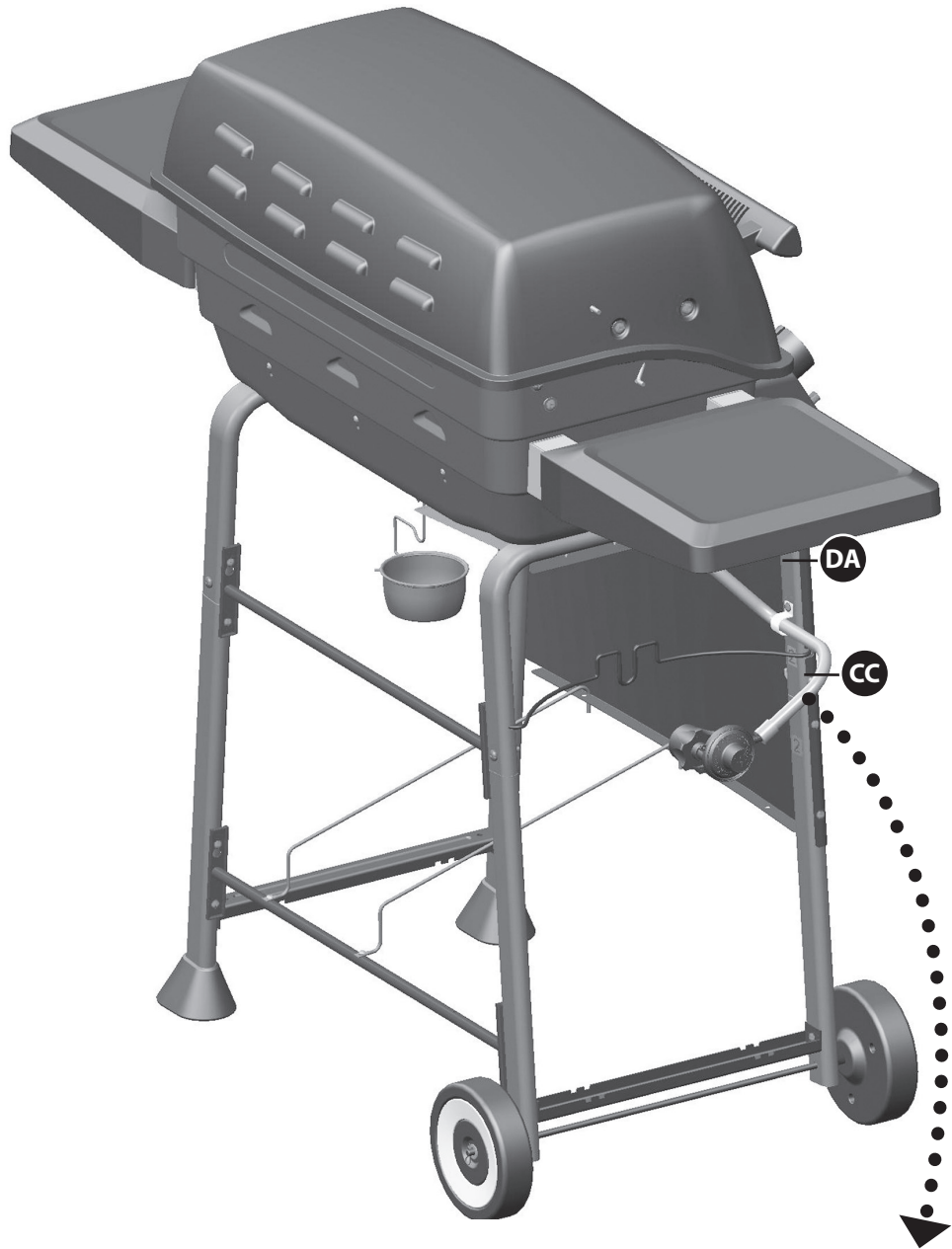
19



20

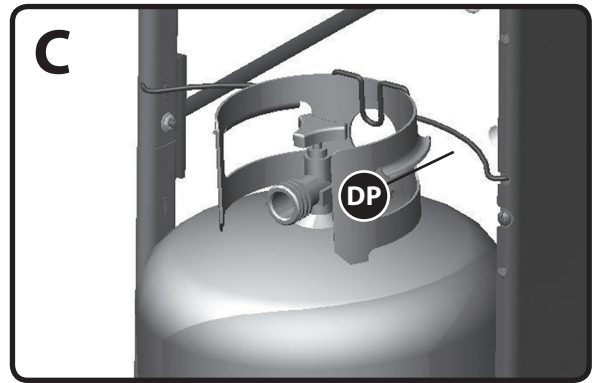
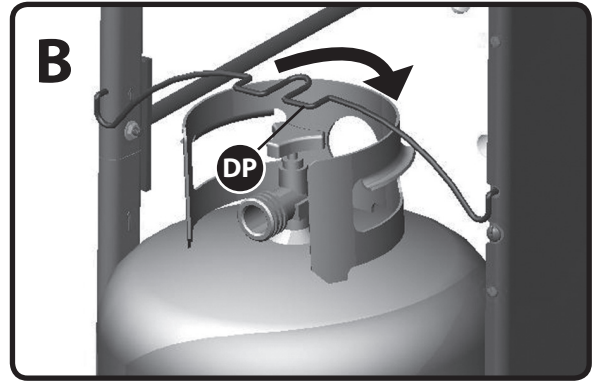
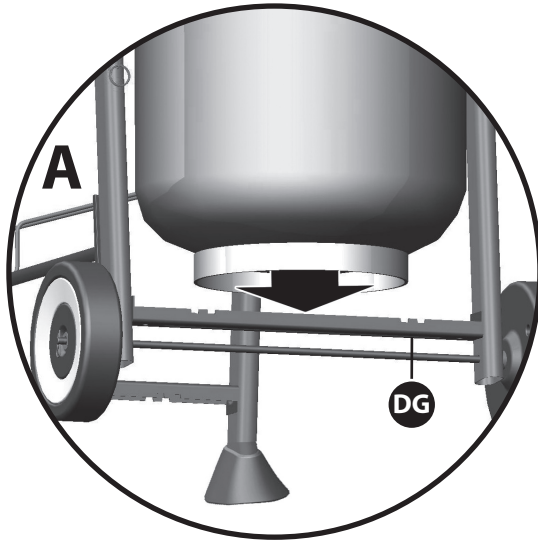


21

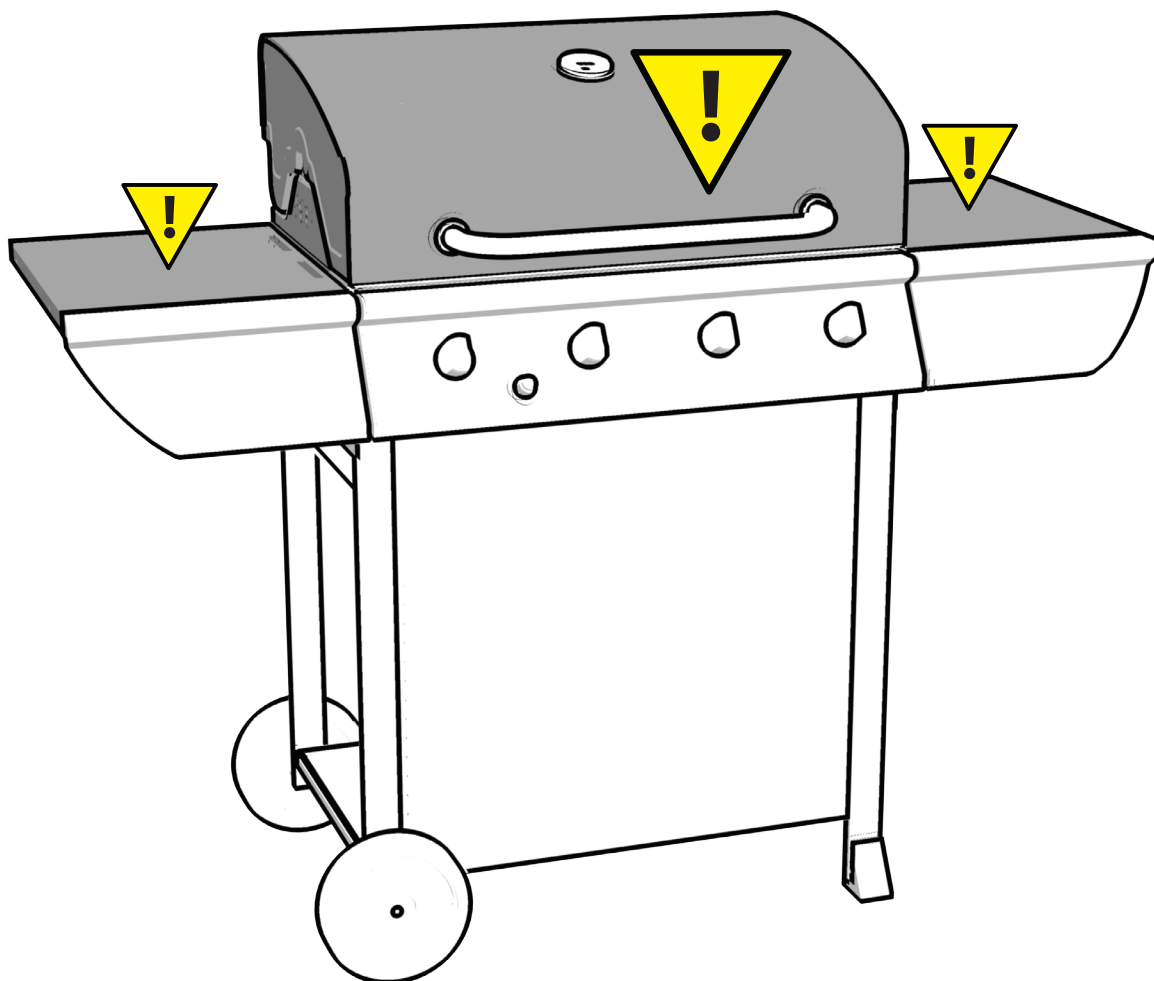


# ASSEMBLY INSTRUCTIONS

# 22



**⚠ WARNING HOT SURFACES**



**CAUTION!**

- **AVOID BURNS!**
- **DO NOT TOUCH WHEN BBQ IS IN USE!**
- **EXTREMELY HOT SURFACE!**
- \* ***SHADED AREAS BECOME EXTREMELY HOT WHEN IN USE.***

MASTER  
**Chef**<sup>TM/MC</sup>

Visit **[www.masterchefbbqs.com](http://www.masterchefbbqs.com)**  
to complete product registration

Master Chef® Customer Service  
1-855-453-2150

Trileaf Distributions Trifeuil  
Toronto, Ontario M4S 2B8