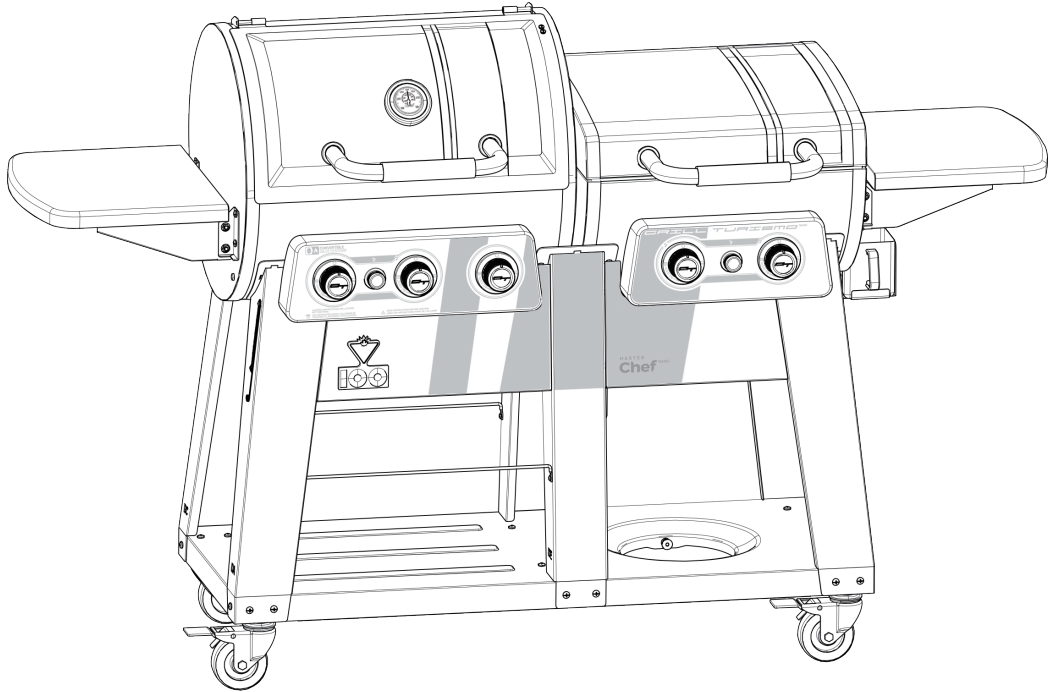


MASTER  
**Chef**<sup>TM/MC</sup>



**Grill Turismo™ Grill and Griddle  
Convertible Propane BBQ**

**Assembly Manual**

**399-8532-8 / G75001**

**1 YEAR LIMITED WARRANTY**

**READ AND SAVE MANUAL FOR FUTURE REFERENCE.**

Assemble your grill immediately.

Missing or damaged parts claims must be submitted within 30 days of purchase date.

**For product inquiries, parts, warranty and troubleshooting support,  
please call 1-855-453-2150.**



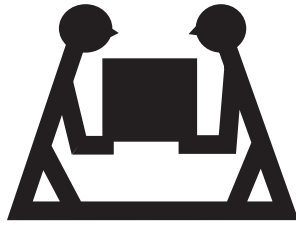
ANSI Z21.58-2018 / CSA 1.6-2018  
Outdoor Cooking Gas Appliances.



ANSI Z21.58-2018 / CSA 1.6-2018  
Outdoor Cooking Gas Appliances.

Master No. 211648

Manual Revision: 01.12.2022 WZ



## HEAVY ARTICLE NEEDS 2 TO LIFT

**THIS MANUAL MUST REMAIN WITH THE PRODUCT AT ALL TIMES**

To order non-warranty replacement parts or accessories, or to register your warranty, please visit us on the web at

**[www.masterchefbbqs.com](http://www.masterchefbbqs.com)**

---

**⚠ CAUTION**

Sharp edges. Wear gloves when assembling your barbecue.

---

**⚠ CAUTION**

Read and follow all safety statements, assembly instructions, and use and care directions before attempting to assemble and cook.

---

**⚠ INSTALLER OR ASSEMBLER/CONSUMER**

This manual should be kept with the barbecue at all times.

---

**⚠ WARNING**

Failure to follow all of the manufacturer's instructions could result in hazardous fires, explosions, property damage, or serious personal injury or even death.

Follow all leak check procedures carefully prior to operation of barbecue, even if grill was dealer assembled. Do not try to light this barbecue without reading the Lighting Instructions section of this manual.

---

**⚠ DANGER**

1. If you smell gas:

- Shut off gas to the appliance.
  - Extinguish any open flame.
  - Open lid.
  - If odour continues, keep away from the appliance and immediately call your gas supplier or your fire department.
2. Requires two people to complete the assembly process.
3. Beware of sharp edges.

---

**⚠ WARNING**

- Do not store or use gasoline or other flammable liquids or vapours in the vicinity of this or any other appliance.
- An LP cylinder not connected for use shall not be stored in the vicinity of this or any other appliance.

---

**⚠ WARNING**

IN DIRECT SUN, AND IN OPERATION, YOUR BARBECUE'S STAINLESS STEEL AND PAINTED STEEL PARTS CAN BECOME VERY HOT.

**THIS BARBECUE IS FOR OUTDOOR USE ONLY.**

**CONTACT CALL CENTRE IF ANY PARTS ARE MISSING.**

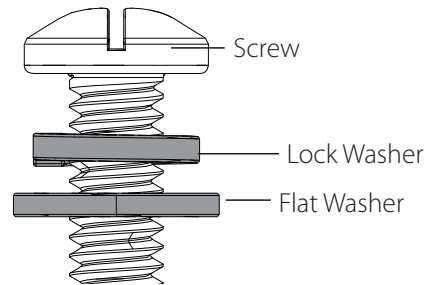
**1-855-453-2150**

# HARDWARE PACK

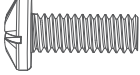
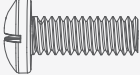
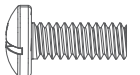
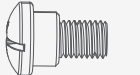


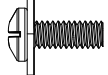




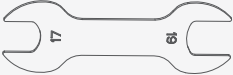

## TOOLS NEEDED FOR ASSEMBLY

- #2 Cross-head screwdriver (long and short)
- 1/4" Slotted screwdriver (long and short)
- Adjustable wrench
- Pliers

For correct hardware assembly, always position the lock washer between the screw and the flat washer.



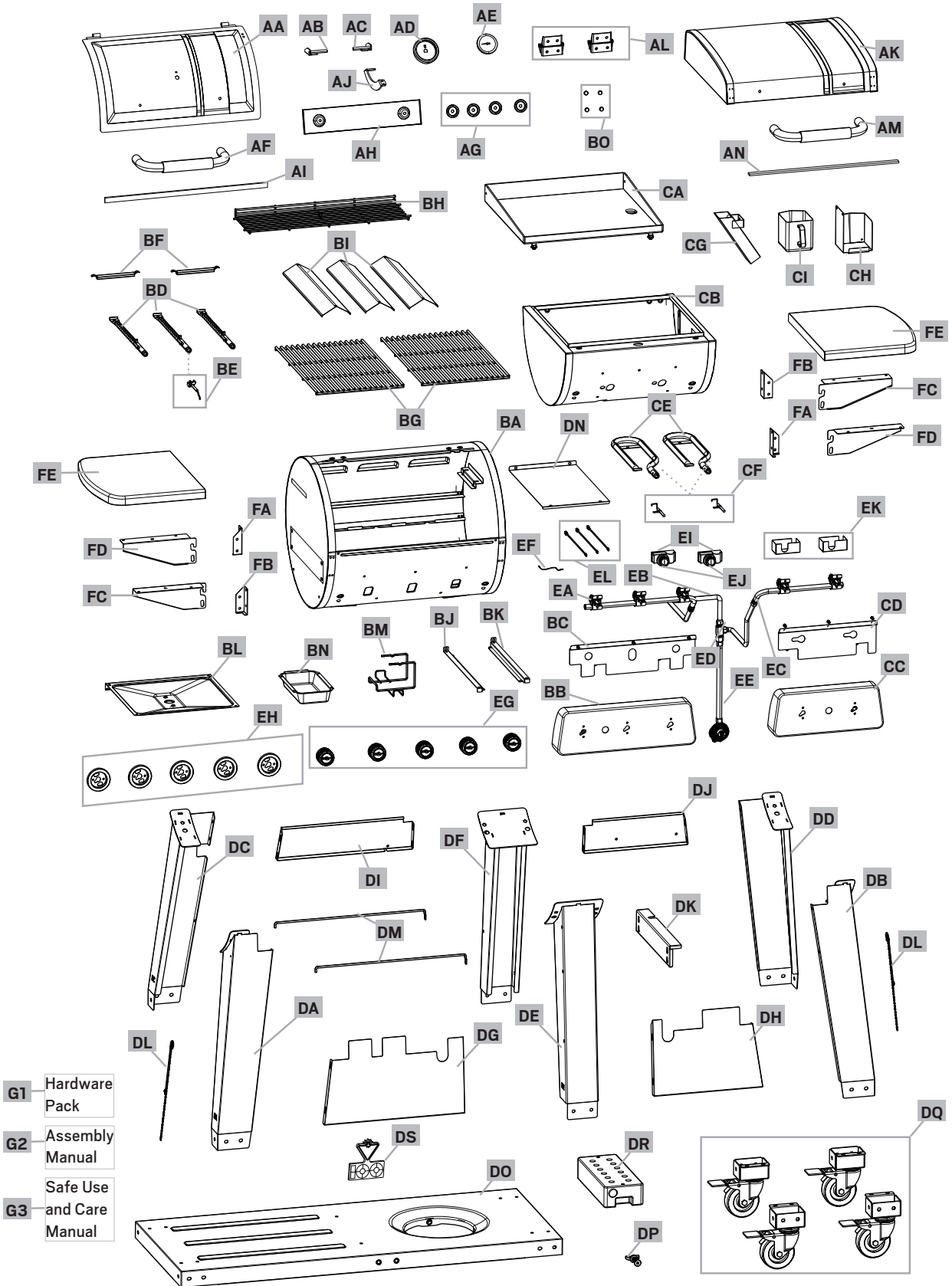
**⚠ CAUTION:** Sheet metal can cause injury, wear gloves when installing the barbecue.

No.	Description	Part Number	Qty.
1	1/4"-20UNC x 18 Screw _ SST		8
2	1/4"-20UNC x 18 Screw _ Black		40
3	NO.10-24UNC x 13 Screw		41
4	1/4" Screw		8
5	1/4"-20UNC Nut		8
6	Handle Washer		4
7	1/4" x 18 Screw Assembly		4
8	φ7 Fibre Washer		8
9	Burner Box Washer		8
10	φ5 Fibre Washer		7
11	φ5 Aluminum Washer		2
12	Wrench		1
13	AA Battery		2

# PARTS LIST FOR 399-8532-8 (G75001)

Item No.	Qty.	Description	Part No.	Item No.	Qty.	Description	Part No.
AA	1	Top Lid, Grill Side	G750-0008-01	DA	1	Front cart leg, Left	G750-0900-01
AB	1	Left Lid Hinge Bracket, Grill Side	G750-3400-01	DB	1	Front cart leg, Right	G750-1000-01
AC	1	Right Lid Hinge Bracket, Grill Side	G750-3500-01	DC	1	Rear cart leg, Left	G750-1200-01
AD	1	Thermometer Bezel	G750-0010-01	DD	1	Rear cart leg, Right	G750-1300-01
AE	1	Thermometer	G750-0009-01	DE	1	Front cart leg, Centre	G750-1100-01
AF	1	Top Lid Handle, Grill Side	G750-4100-01	DF	1	Rear cart leg, Centre	G750-1400-01
AG	4	Top Lid Handle Bezel	G750-0005-01	DG	1	Front Panel, Left	G750-1600-01
AH	1	Lid Handle Heat Shield, Grill Side	P401-0606-01	DH	1	Front Panel, Right	G750-1700-01
AI	1	Heat Seal Gasket, Grill Side	G750-0038-01	DI	1	Rear Panel, Left	G750-0017-01
AJ	1	Grill Lid Stopper	G750-0001-01	DJ	1	Rear Panel, Right	G750-0018-01
AK	1	Top Lid, Griddle Side	G750-0500-01	DK	1	Regulator Brace	G750-0019-01
AL	1	Top Lid Hinge Assembly, Griddle Side	G750-4200-01	DL	2	Match Holder	G701-0004-01
AM	1	Top Lid Handle, Griddle Side	G750-4400-01	DM	2	Tank Exclusion Wire	G750-0028-01
AN	2	Heat Seal Gasket, Griddle Side	G750-0039-01	DN	1	Heat Shield	G750-0027-01
BA	1	Burner Box Assembly, Grill Side	G750-0100-01	DO	1	Bottom Panel	G750-0800-01
BB	1	Control Panel, Grill Side	G750-0600-01	DP	1	Tank Screw	G505-0047-01
BC	1	Control Panel Heat Shield, Grill Side	G750-0006-01	DQ	4	Locking Castor	G750-0014-01
BD	3	Main Burner, Grill Side	G750-2400-01	DR	1	Weight Block	G553-0003-01
BE	1	Electrode Set, Main Burner - Grill Side	G750-0043-01	DS	1	Logo Plate	G750-0015-01
BF	2	Carryover, Grill Side	G478-0008-01	EA	1	Manifold Assembly	G750-3100-01
BG	2	Cooking Grate	G750-0011-01	EB	1	Metal Hose, Grill Side	G208-0046-01
BH	1	Warming Rack	G750-0012-01	EC	1	Metal Hose, Griddle Side	G434-0059-01
BI	3	Heat Plate	G750-0013-01	ED	1	Connector	G466-0085-01
BJ	1	Left Grease Cup Rail, Grill Side	G750-0035-01	EE	1	Regulator	G312-1004-01
BK	1	Right Grease Cup Rail, Grill Side	G750-0025-01	EF	1	Ground Wire	G602-0024-03
BL	1	Grease Collection Tray, Grill Side	G750-0026-01	EG	5	Control Knob	G750-3300-01
BM	1	Grease Cup Hook, Grill Side	G545-0033-01	EH	5	Knob Bezel	G750-0004-01
BN	1	Grease Cup, Grill Side	G750-0044-01	EI	2	Electronic Ignition Assembly	G453-0098-0A
BO	4	Burner Box Bumper	G367-0016-01	EJ	2	Electronic Ignition Button	G453-0098-02
CA	1	Griddle Top	G750-4500-01	EK	2	Electronic Ignition Module	G750-0036-01
CB	1	Burner Box Assembly, Griddle Side	G750-0200-01	EL	3	Electronic Ignition Wire Connecting Wire	G750-0032-01
CC	1	Control Panel, Griddle Side	G750-1500-01	FA	2	Support Bracket A	G750-0020-01
CD	1	Control Panel Heat Shield, Griddle Side	G750-0007-01	FB	2	Support Bracket B	G750-0021-01
CE	2	Main Burner, Griddle Side	G750-3200-01	FC	2	Shelf Support A	G750-0023-01
CF	2	Electrode Set, Main Burner - Griddle Side	G750-0042-01	FD	2	Shelf Support B	G750-0024-01
CG	1	Grease Trough, Griddle Side	G750-2600-01	FE	2	Side Shelf	G750-0022-01
CH	1	Grease Catch Support, Griddle Side	G750-0029-01	G1	1	Hardware Pack	G750-B001-01
CI	1	Grease Catch, Griddle Side	G653-1200-01	G2	1	Assembly Manual	G750-M001-01
				G3	1	Safe Use and Care Manual	G750-M001-02

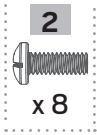
# EXPLODED DIAGRAM FOR 399-8532-8 (G75001)



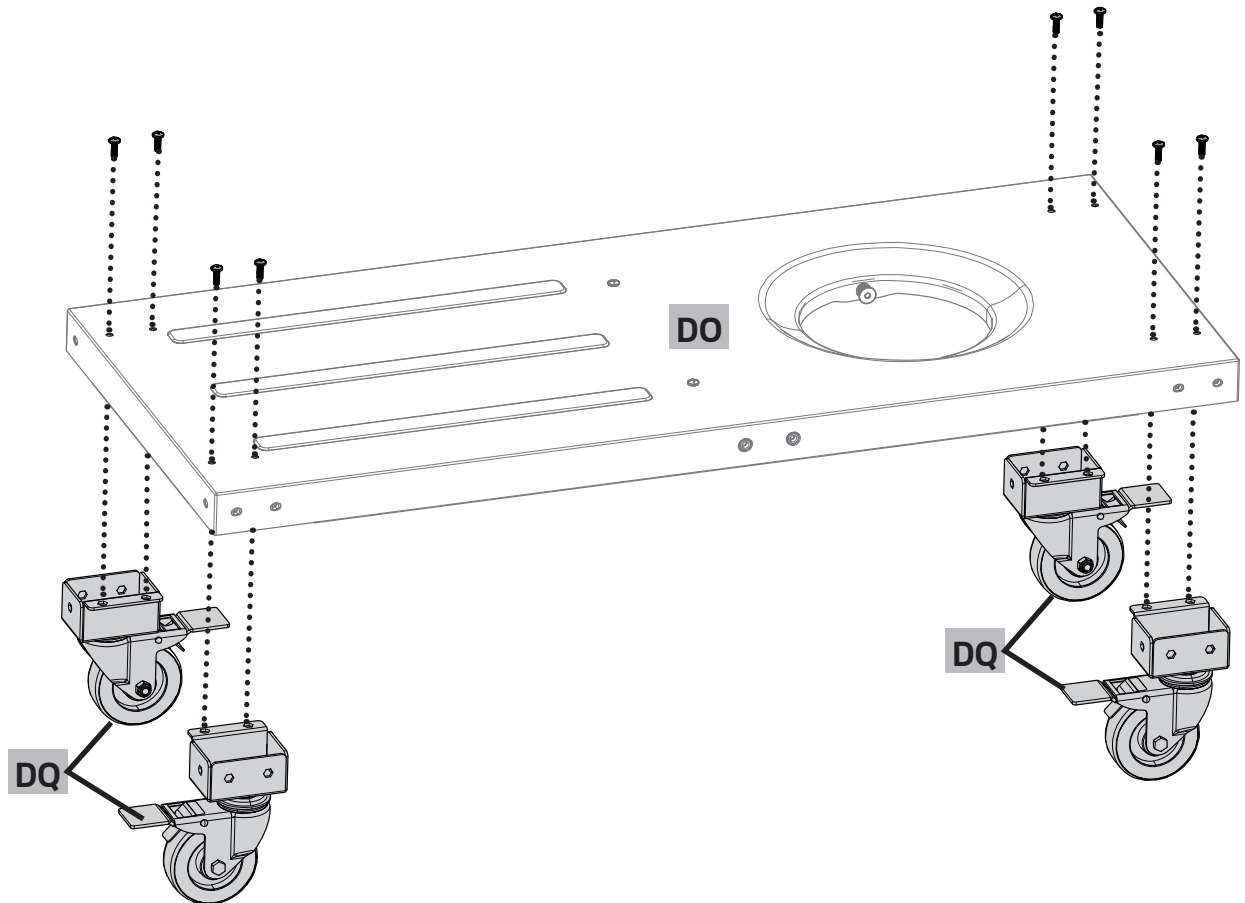
# ASSEMBLY INSTRUCTIONS

1

You will need



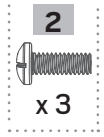
Front View



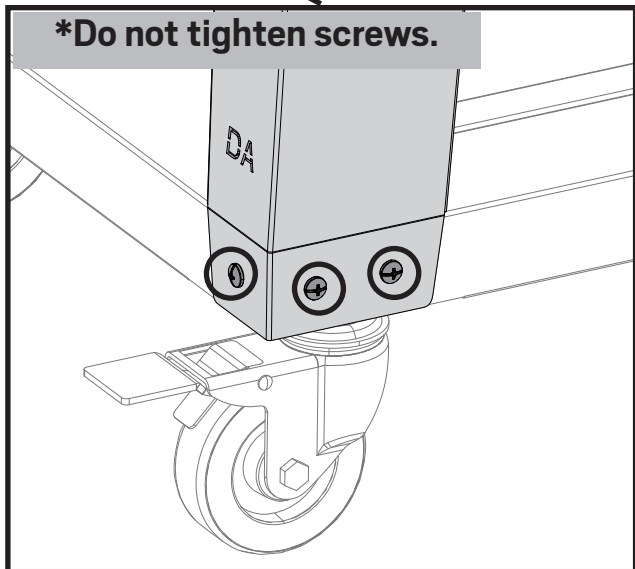
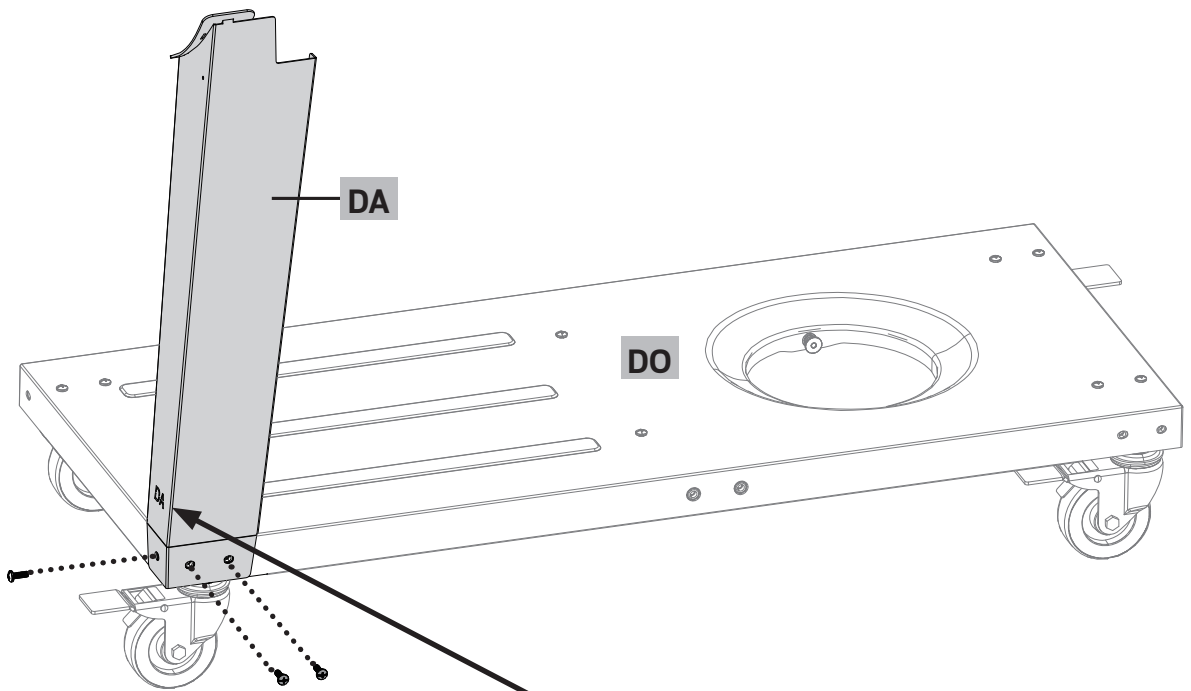
# ASSEMBLY INSTRUCTIONS

2

You will need



Front View



# ASSEMBLY INSTRUCTIONS

3

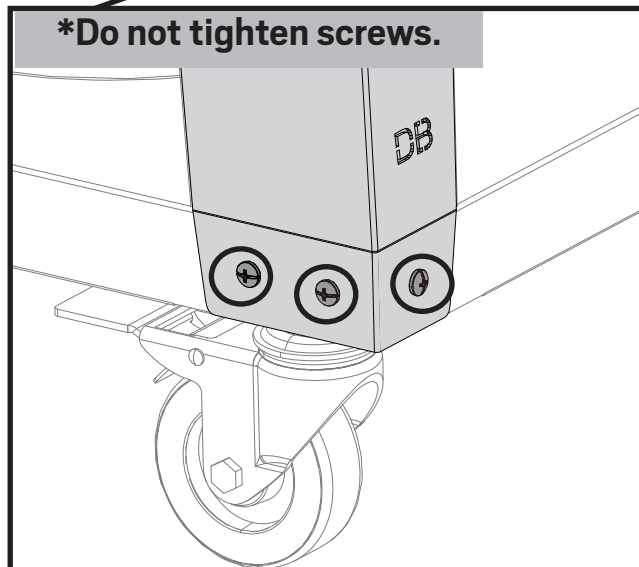
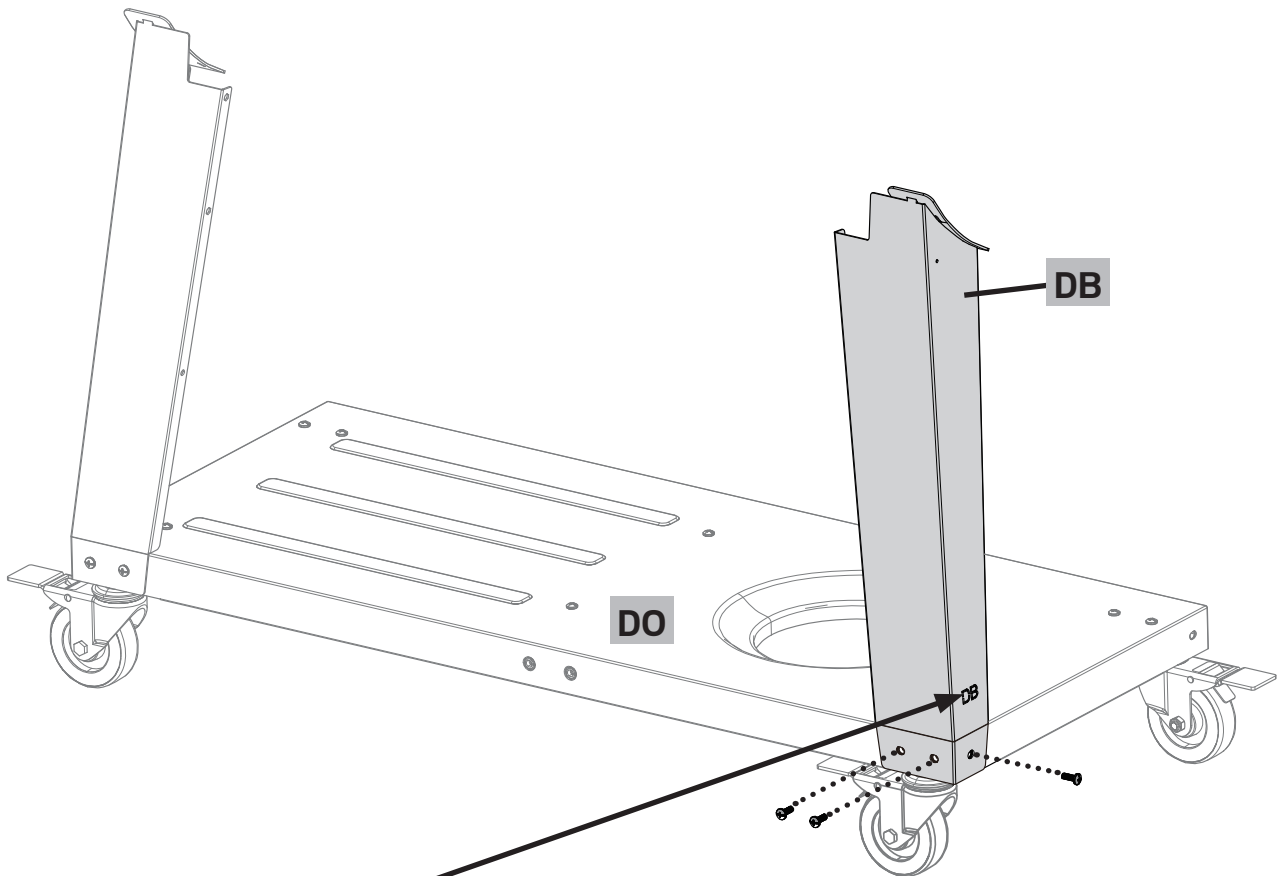
You will need

2



x 3

Front View

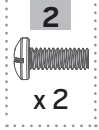




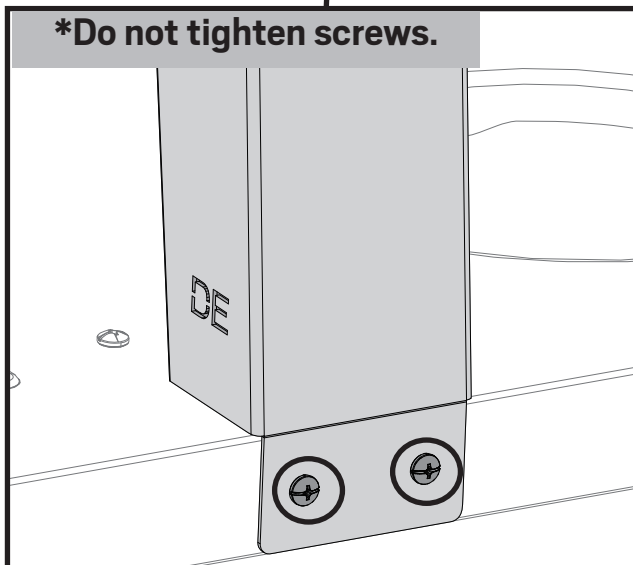
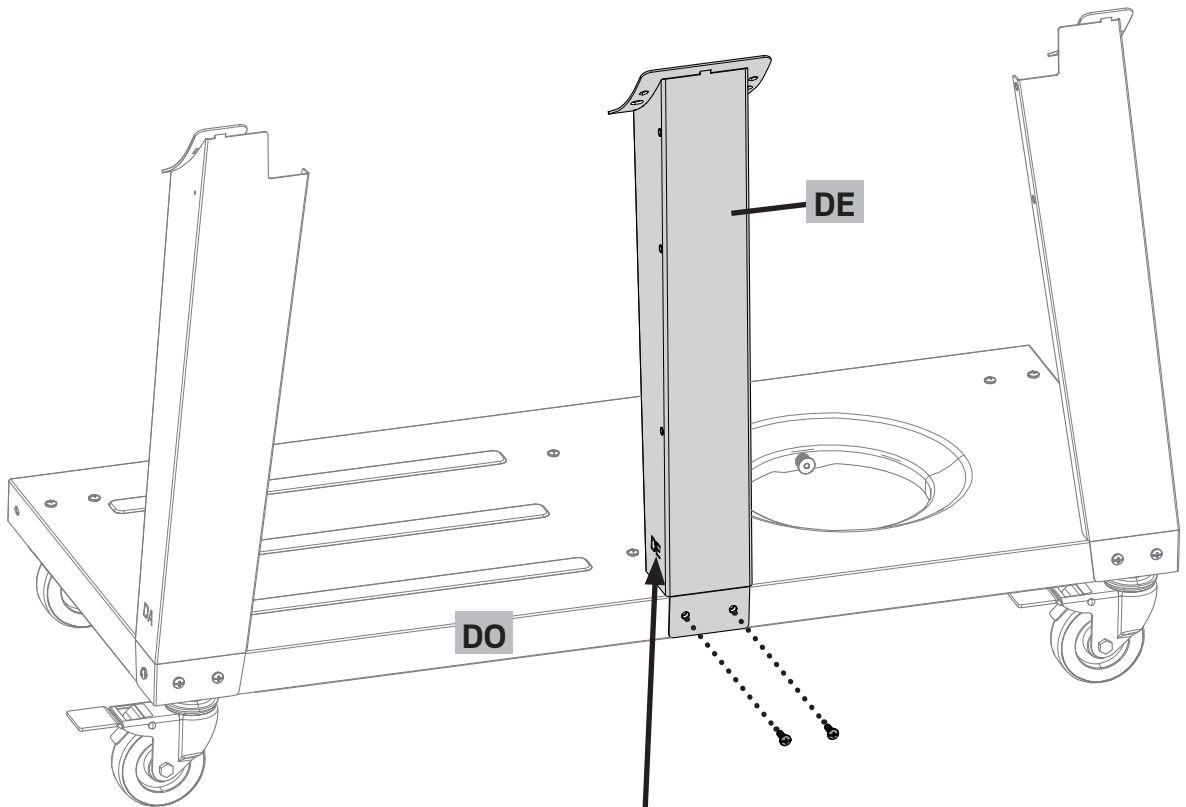
# ASSEMBLY INSTRUCTIONS

4

You will need



Front View



## ASSEMBLY INSTRUCTIONS

5

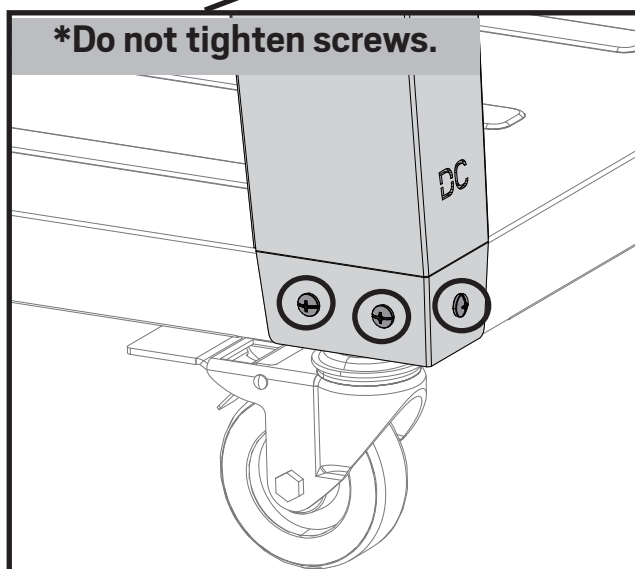
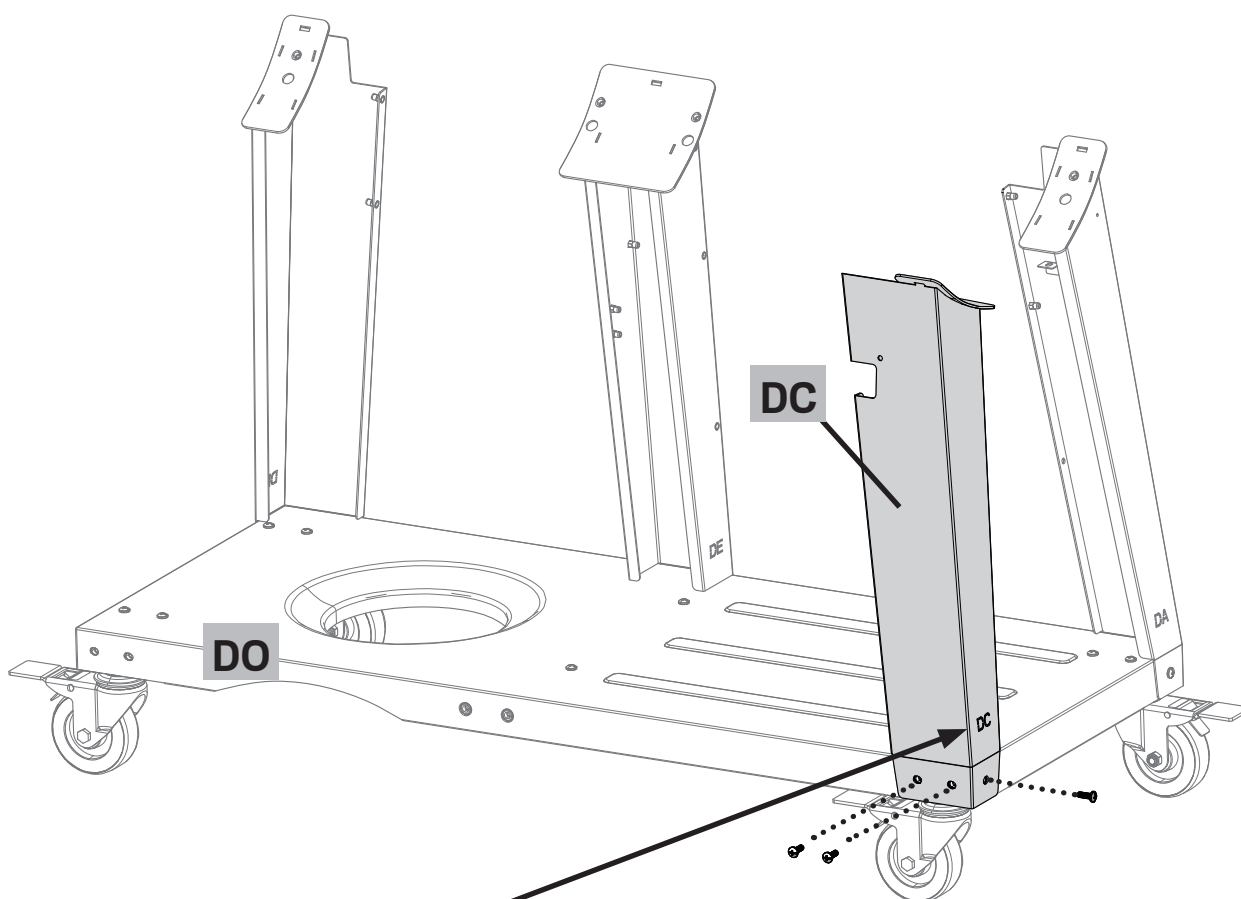
You will need

2



x 3

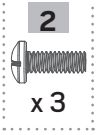
Back View



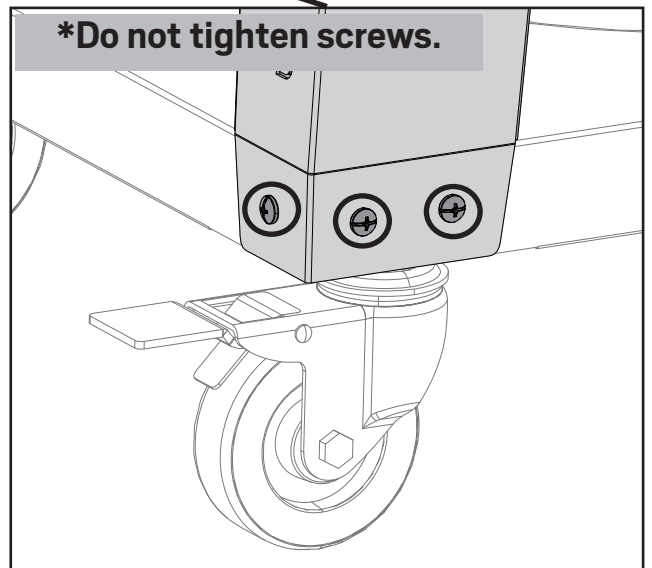
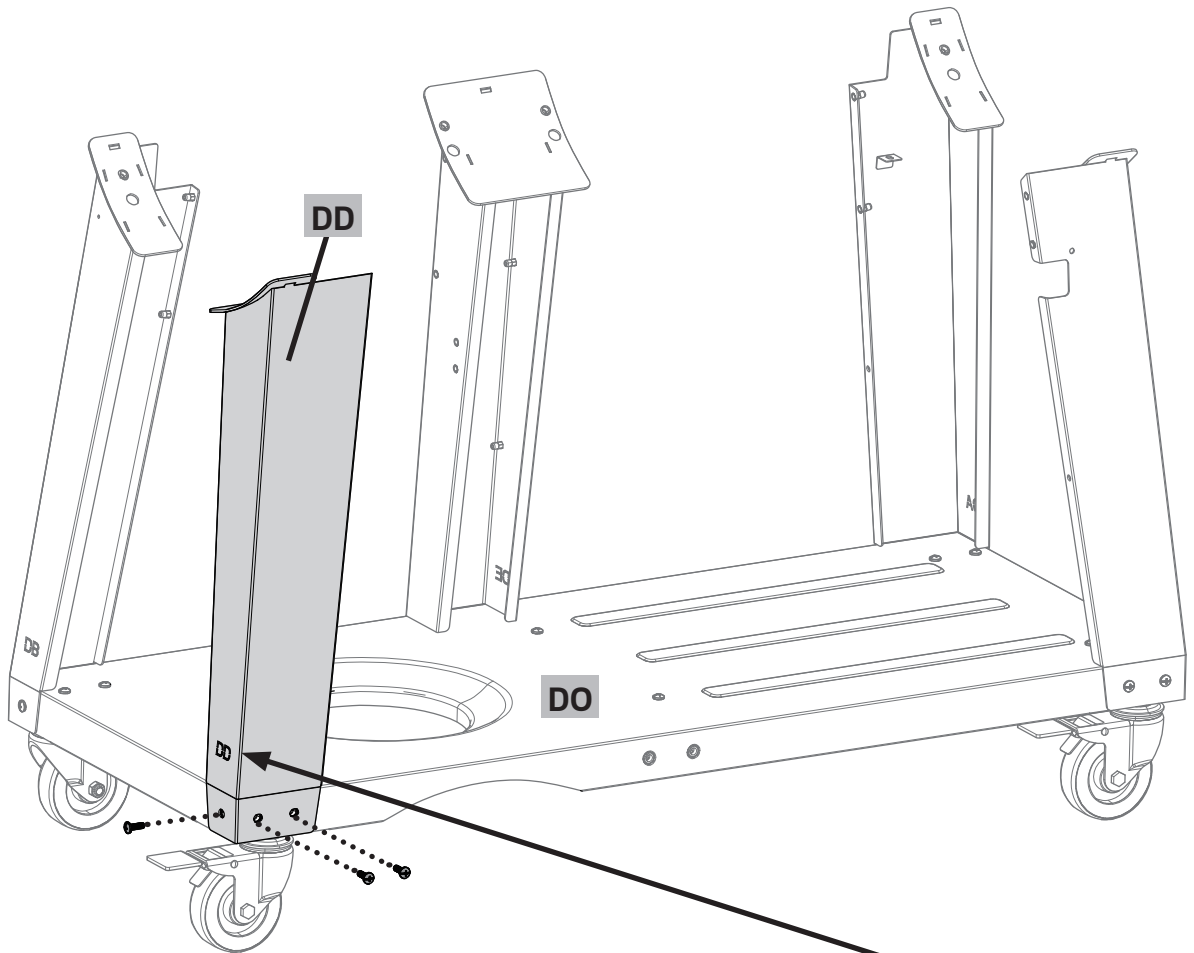
# ASSEMBLY INSTRUCTIONS

6

You will need



Back View



## ASSEMBLY INSTRUCTIONS

7

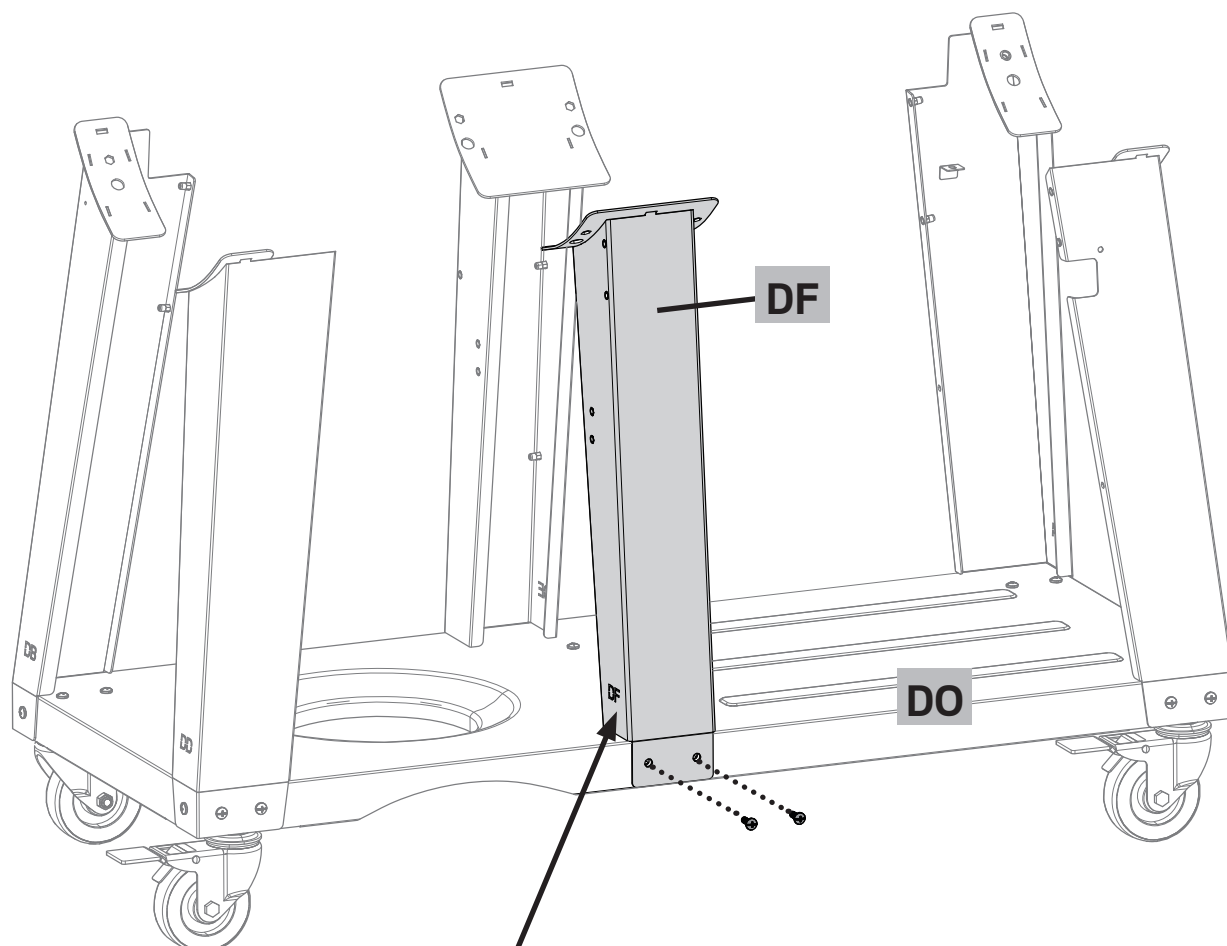
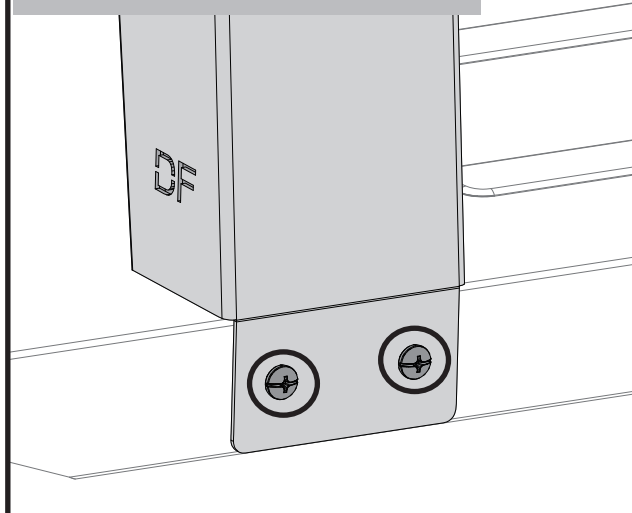
You will need

2



x 2

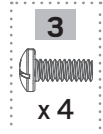
Back View

**\*Do not tighten screws.**

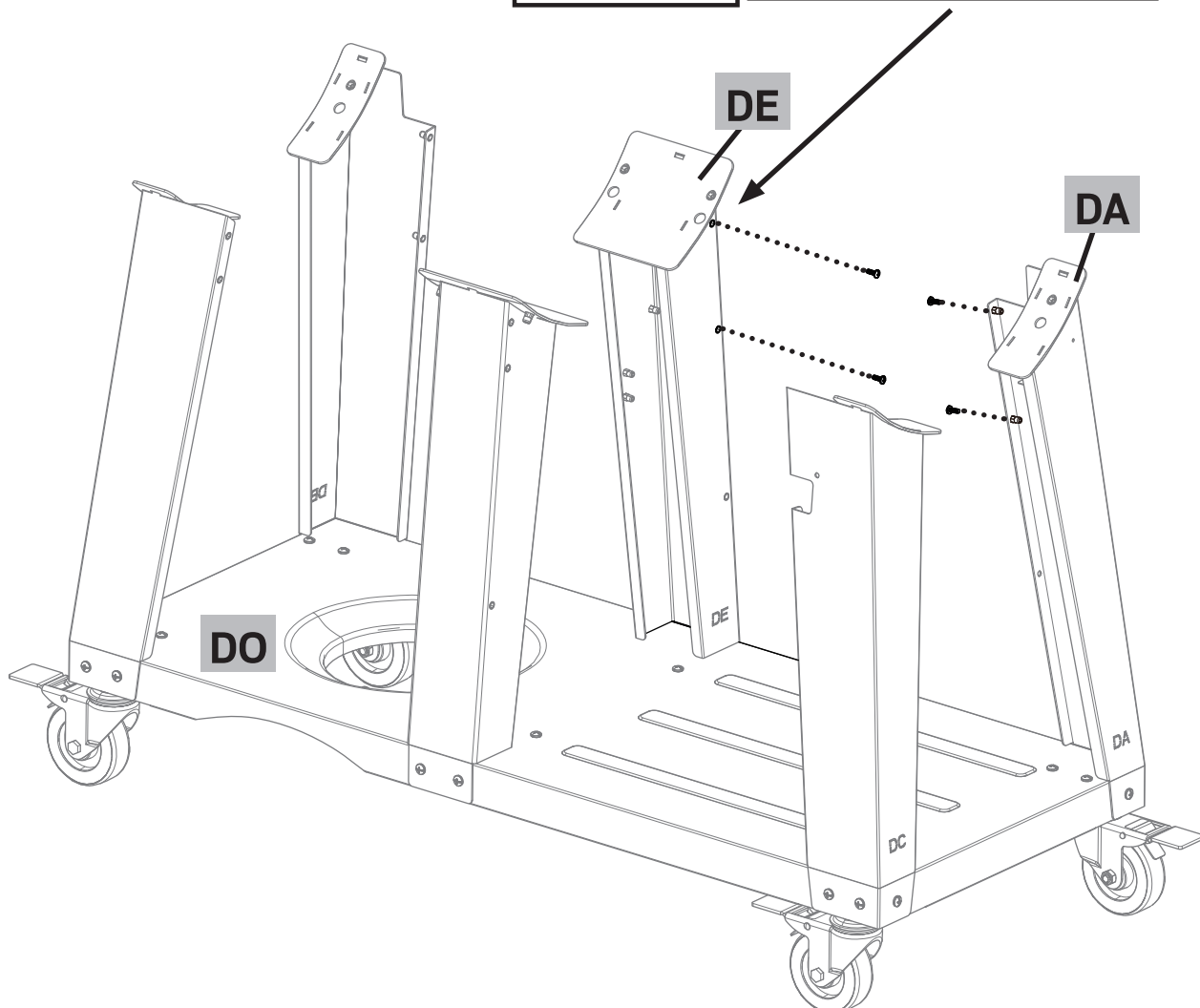
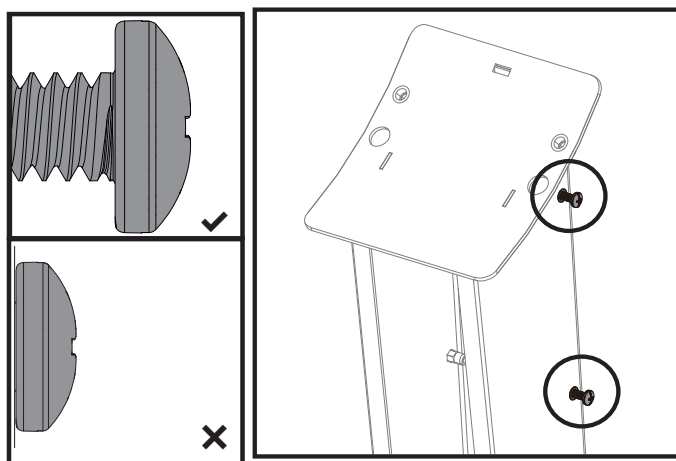
## ASSEMBLY INSTRUCTIONS

8A

You will need



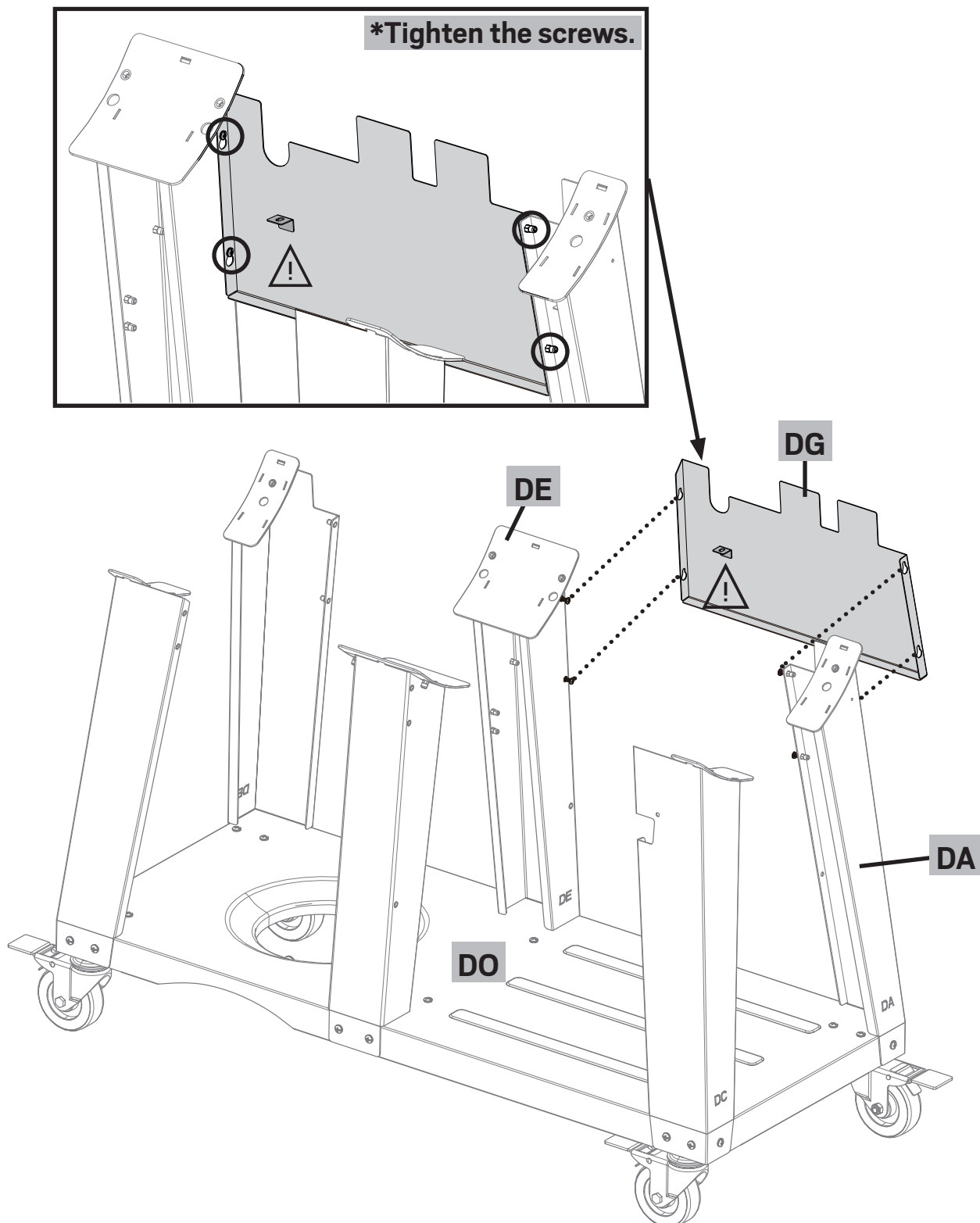
Back View



## ASSEMBLY INSTRUCTIONS

8B

Back View



## ASSEMBLY INSTRUCTIONS

9A

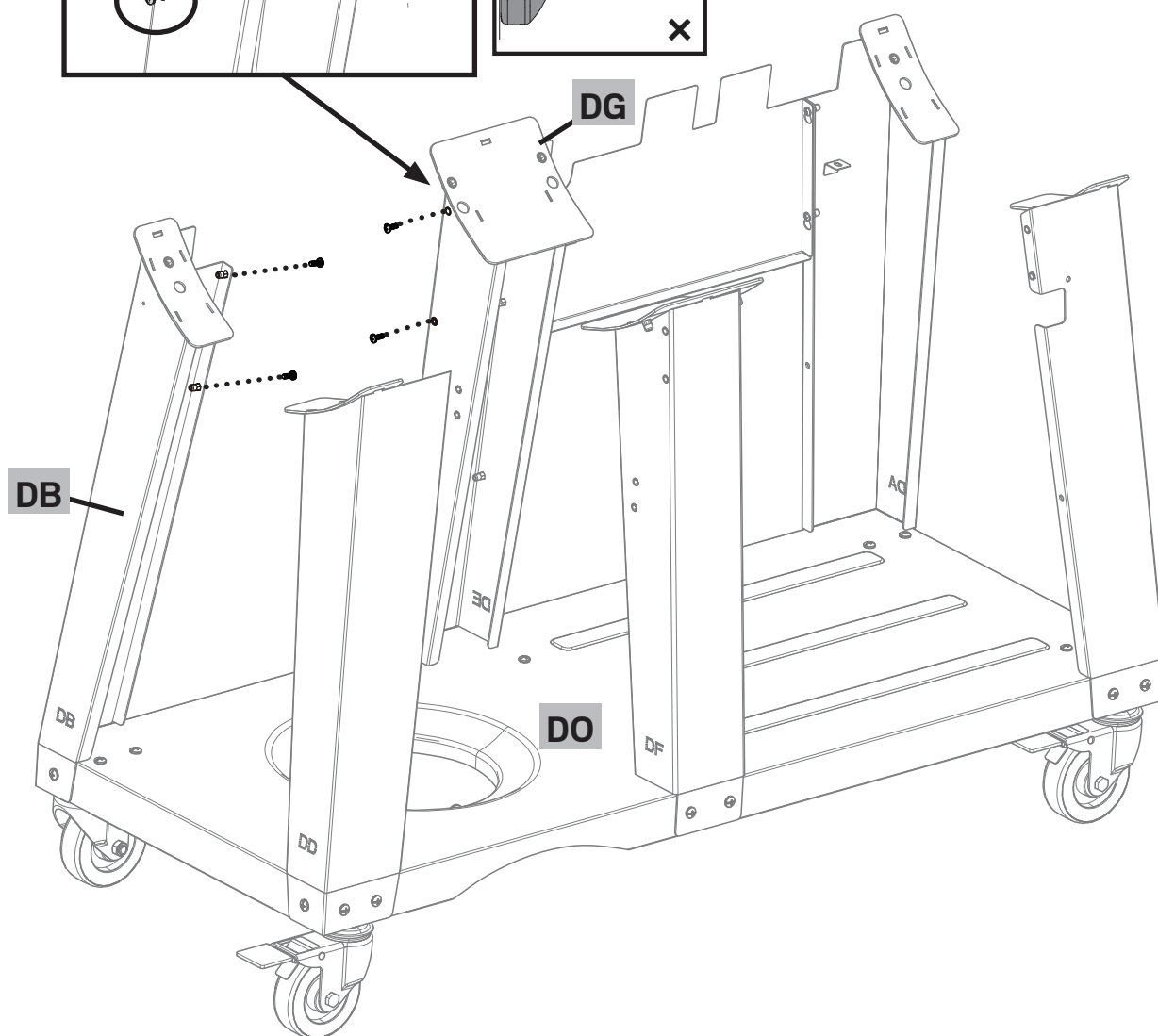
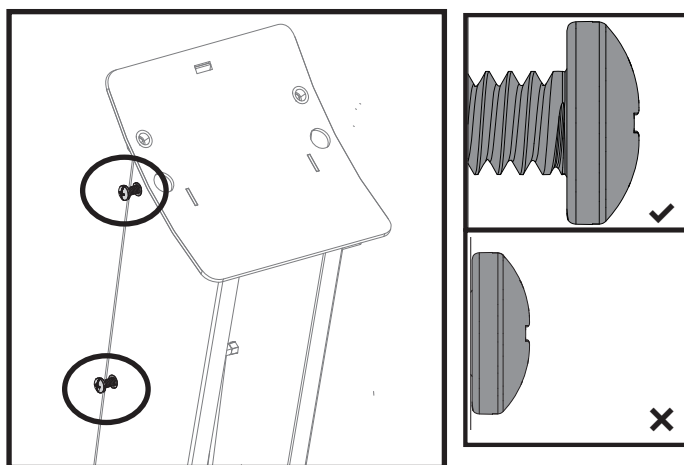
You will need

3



x 4

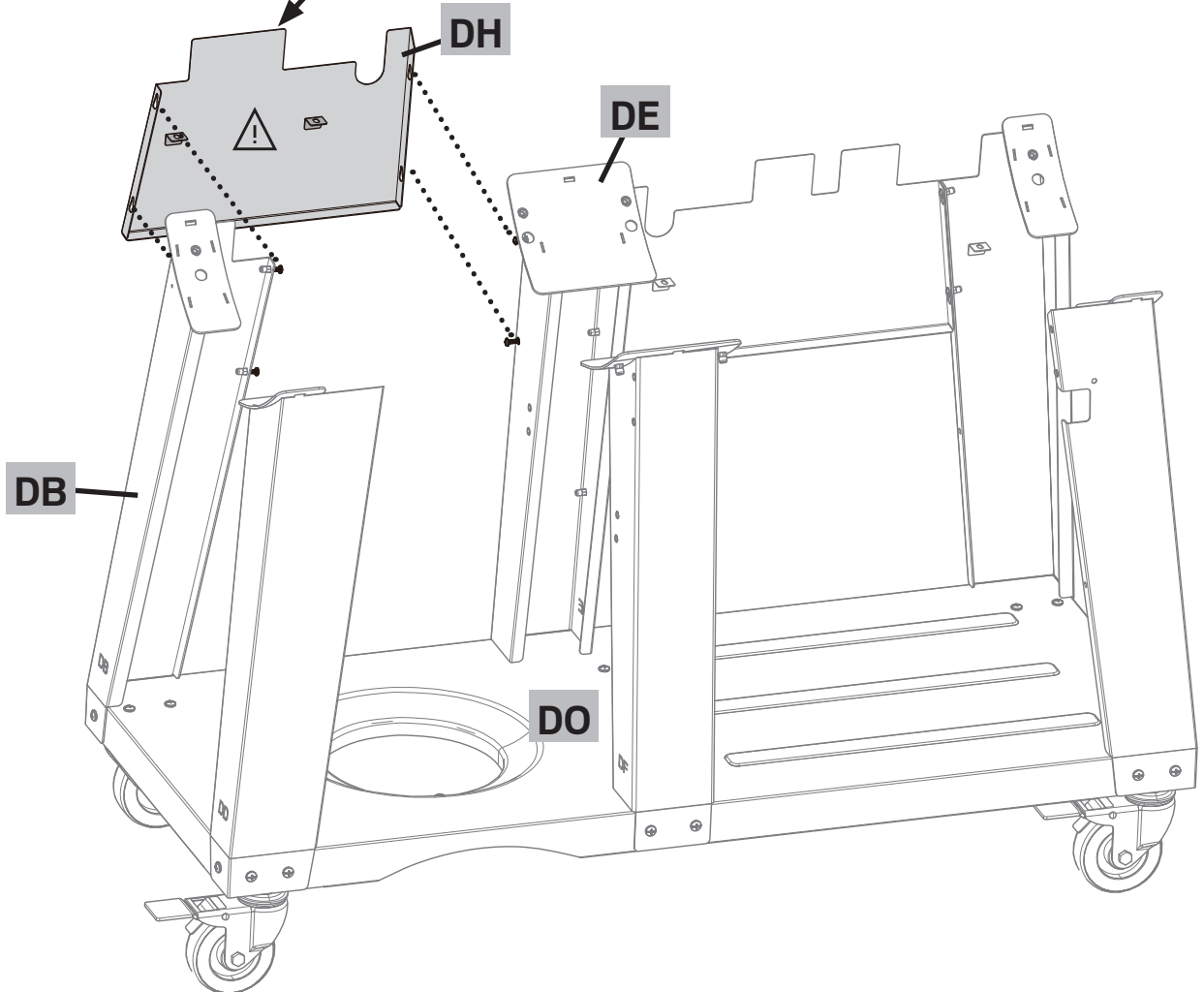
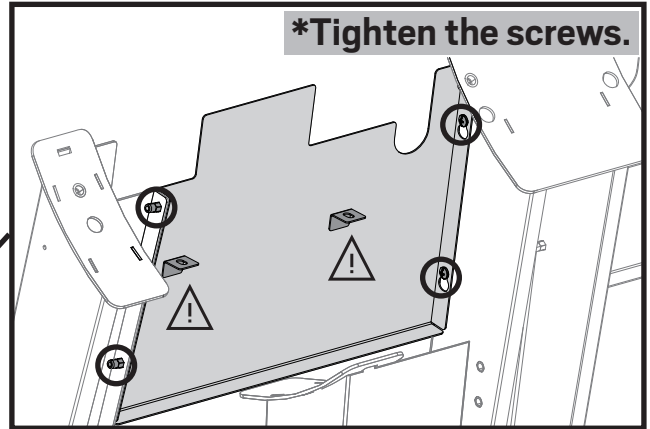
Back View



# ASSEMBLY INSTRUCTIONS

9B

Back View

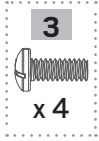




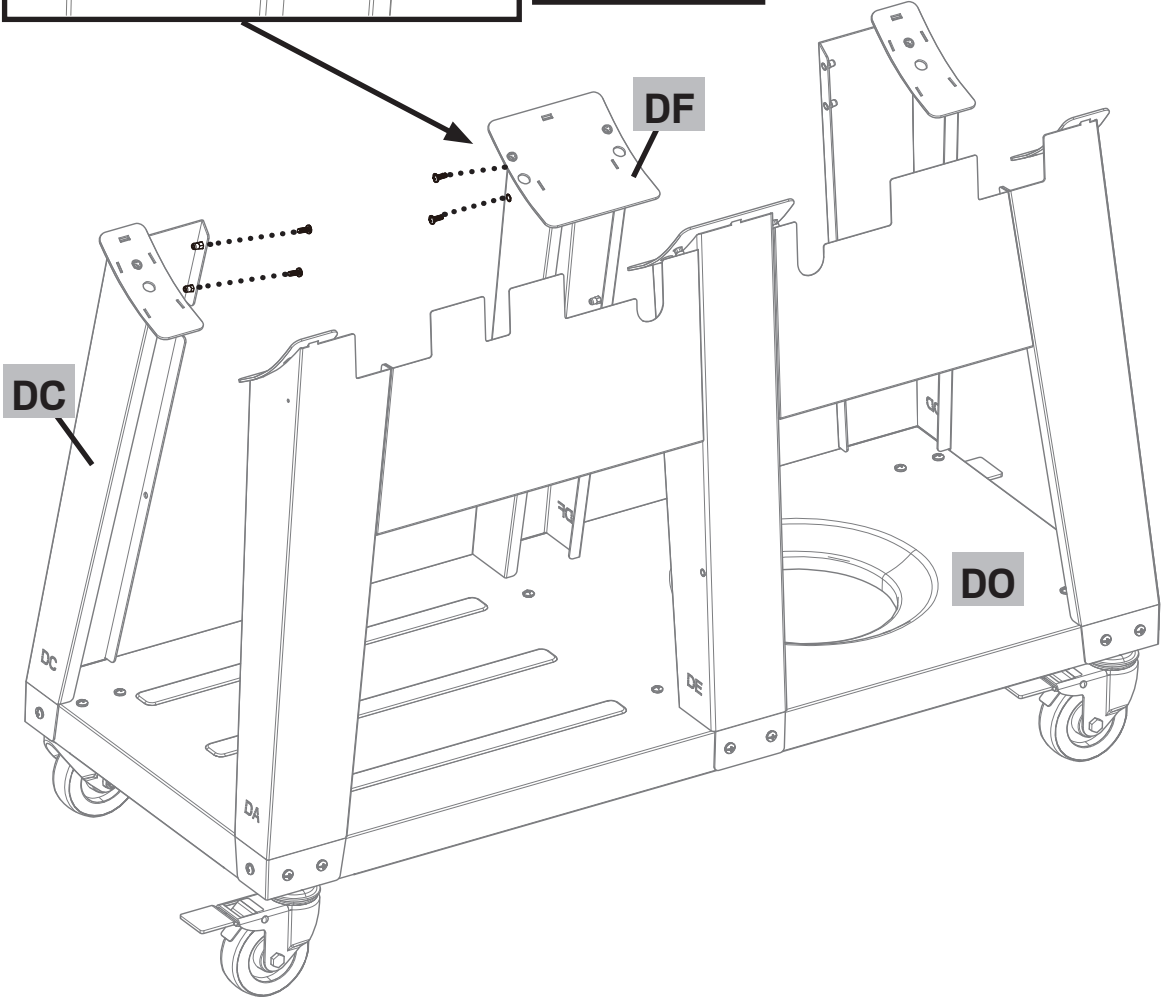
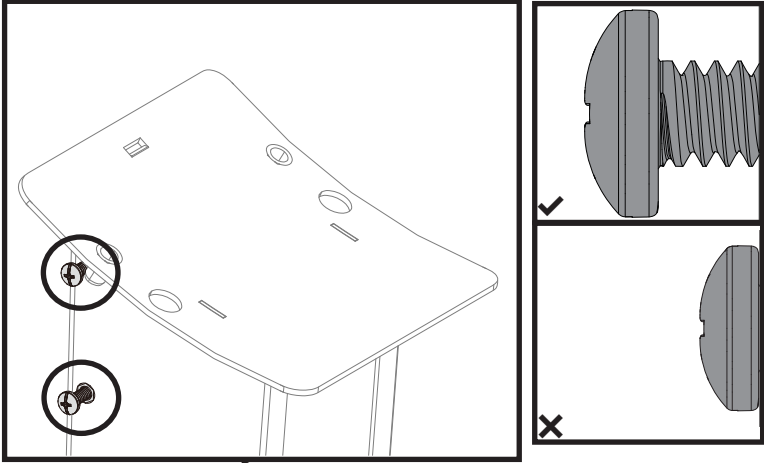
# ASSEMBLY INSTRUCTIONS

10A

You will need



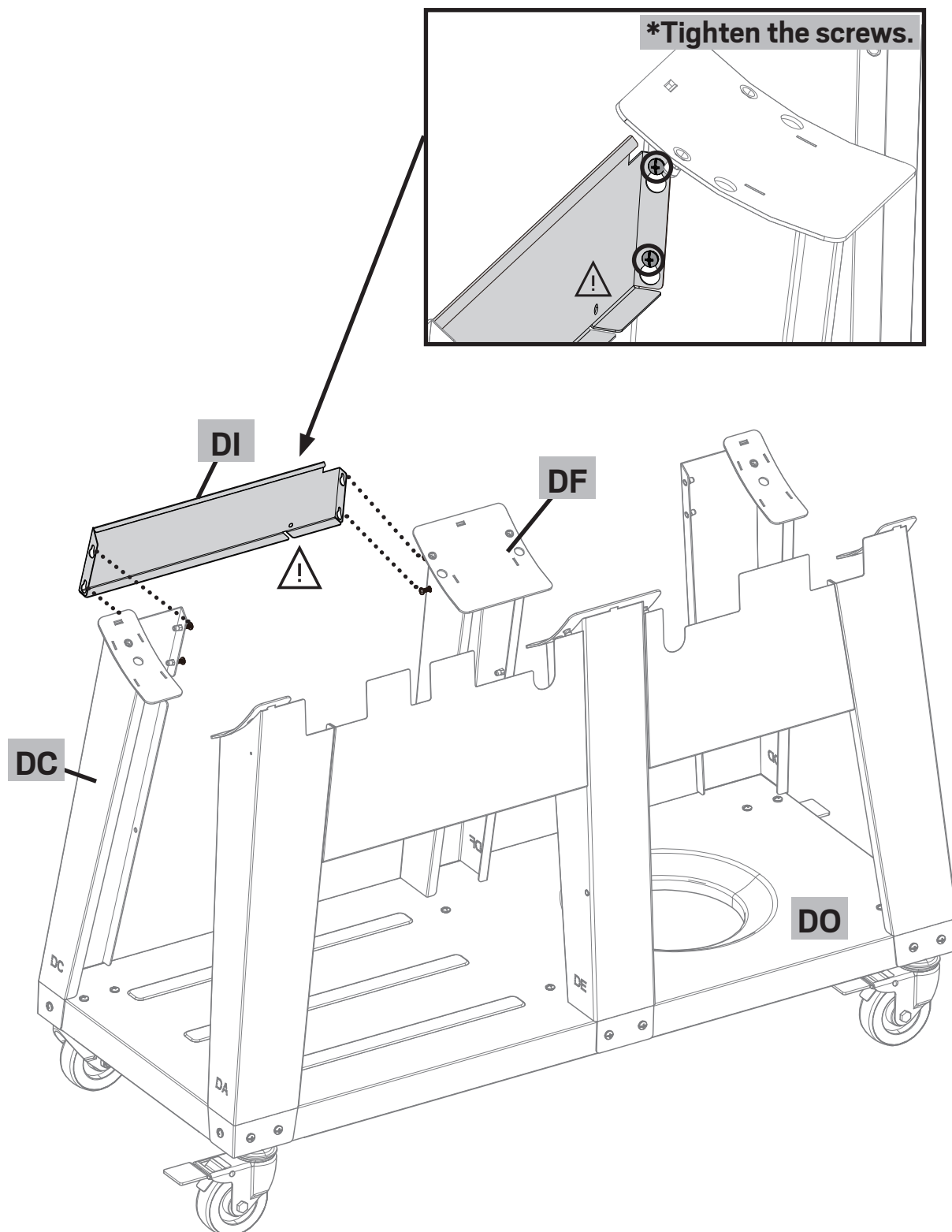
Front View



## ASSEMBLY INSTRUCTIONS

10B

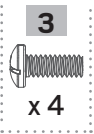
Front View



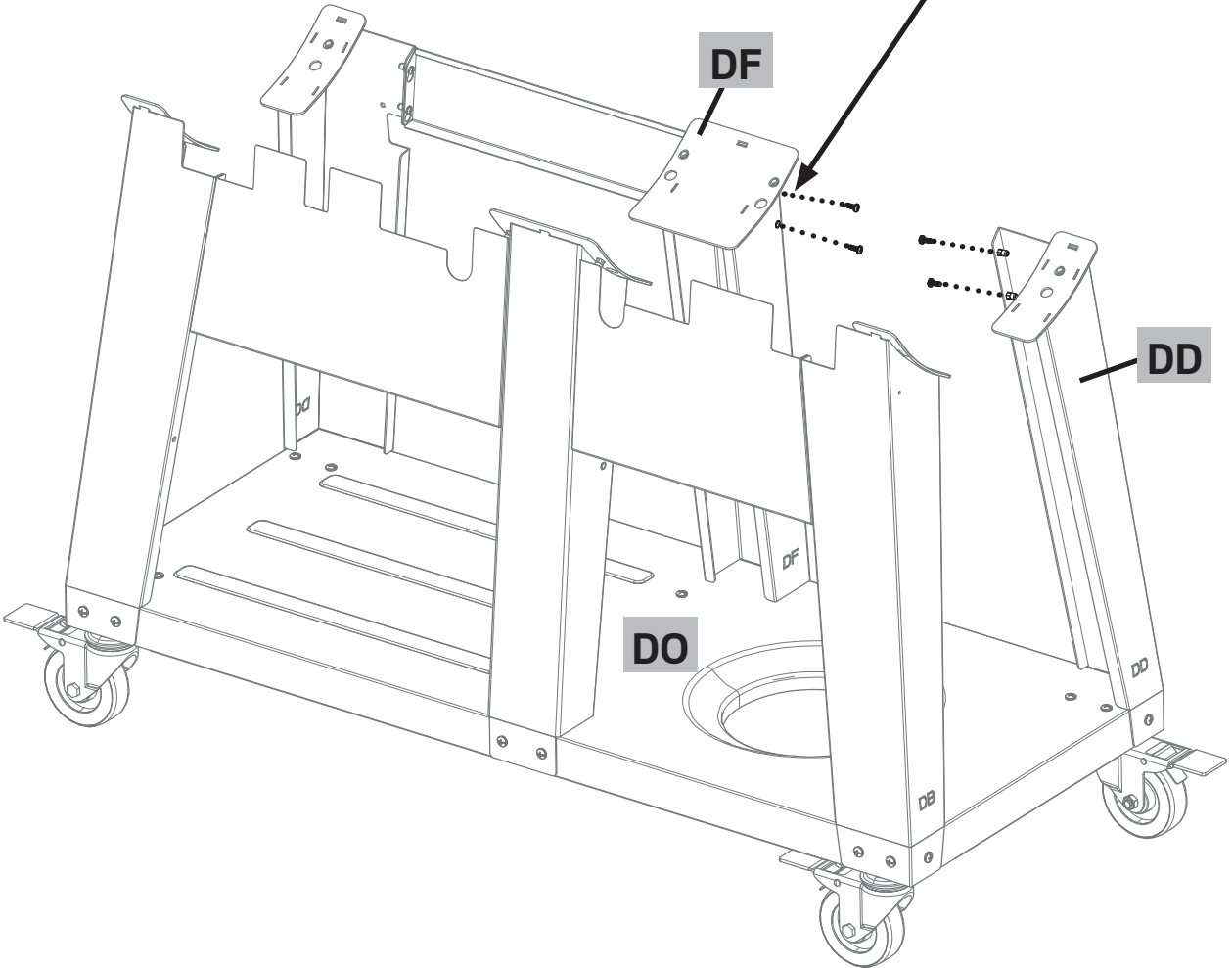
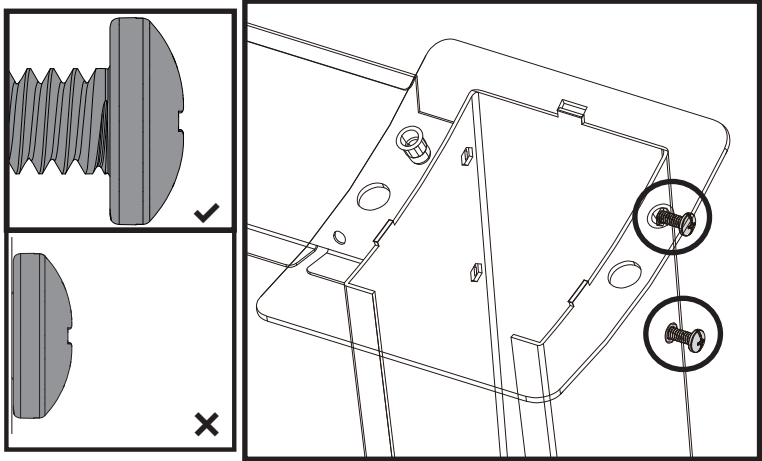
# ASSEMBLY INSTRUCTIONS

11A

You will need



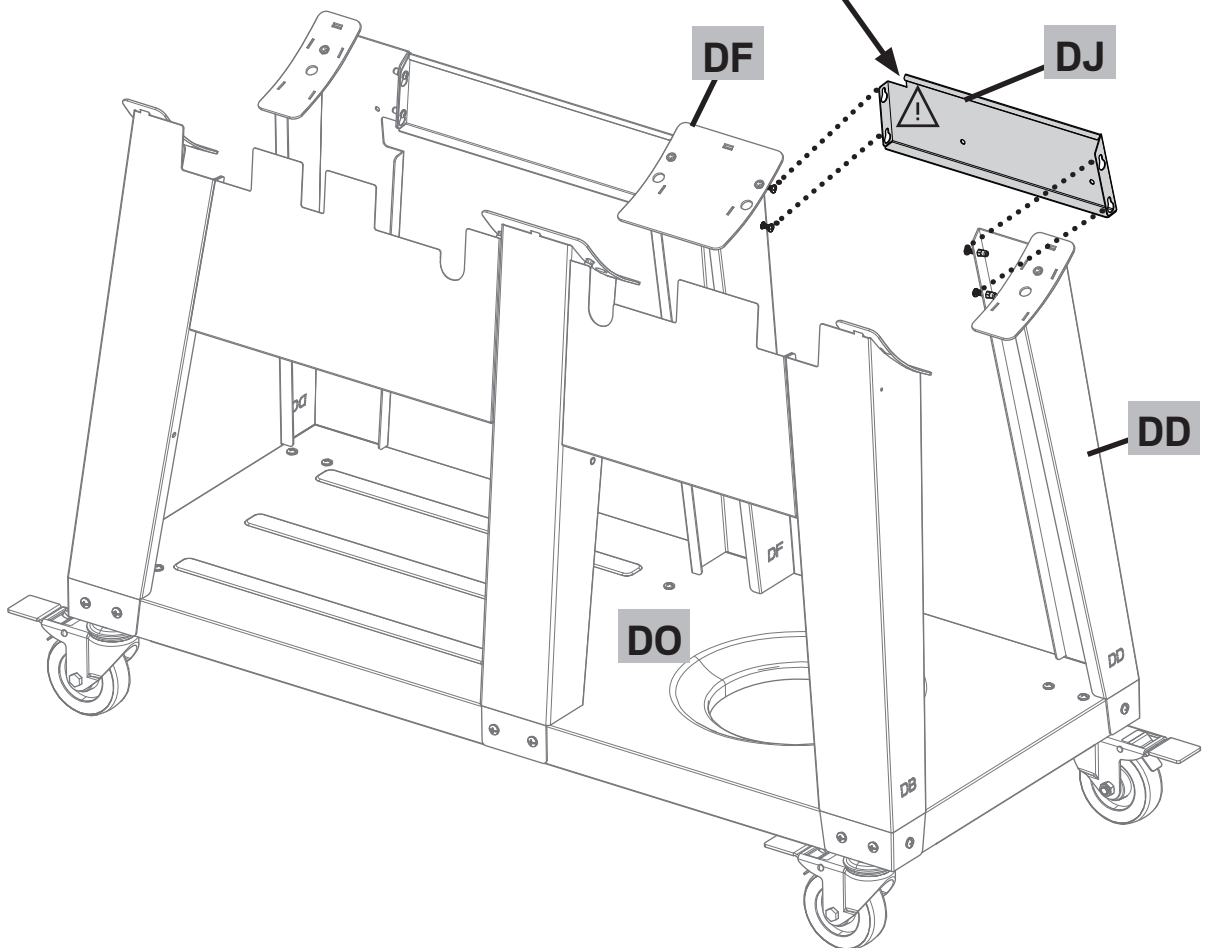
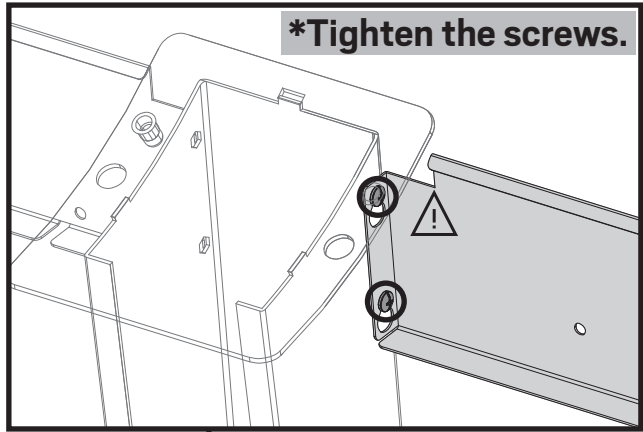
Front View



# ASSEMBLY INSTRUCTIONS

11B

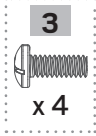
Front View



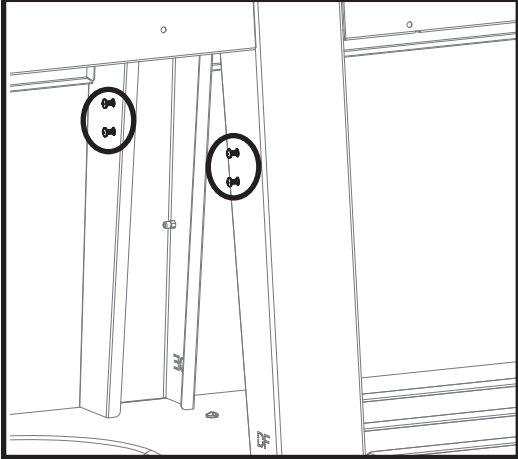
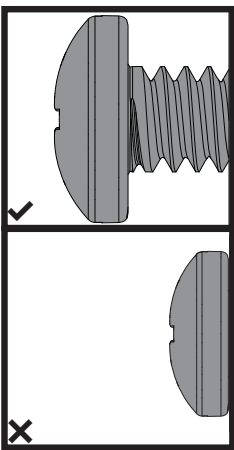
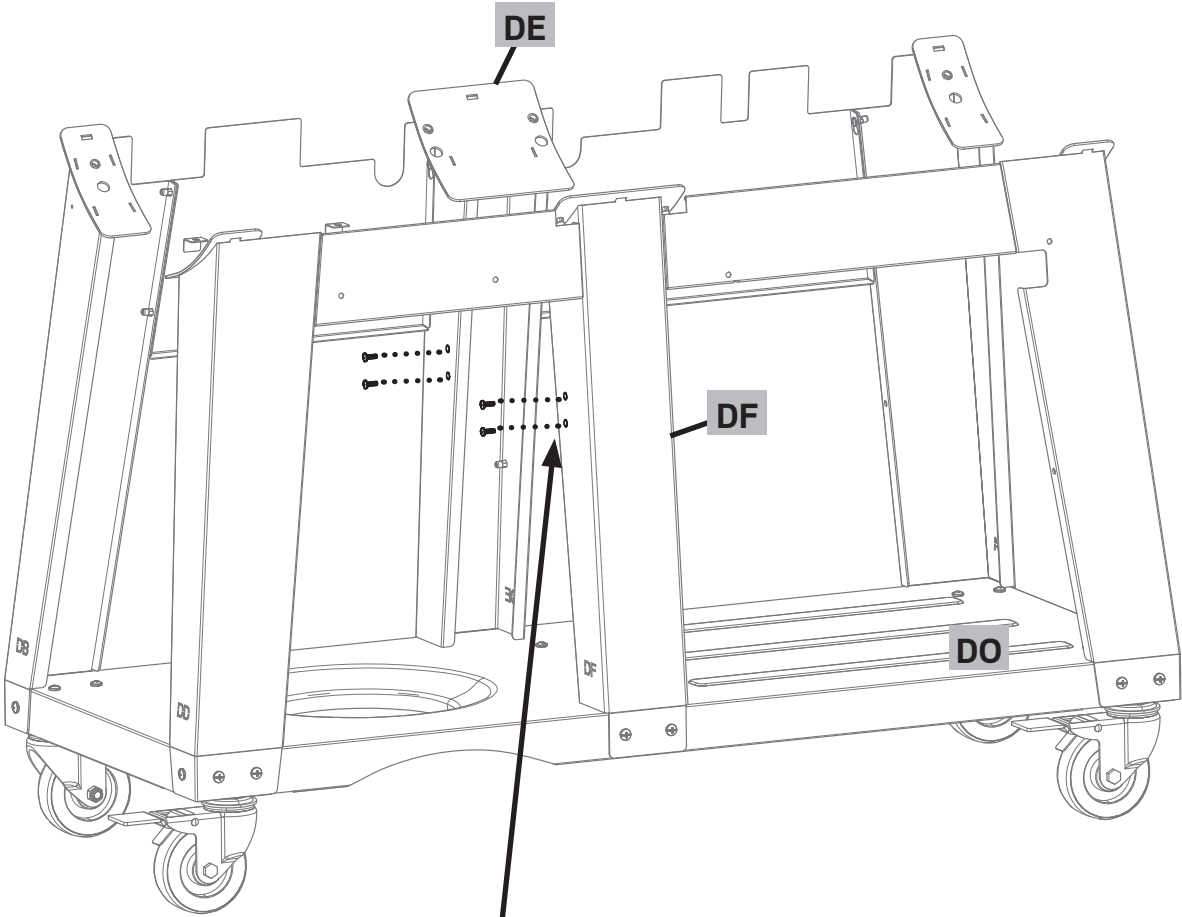
# ASSEMBLY INSTRUCTIONS

12A

You will need



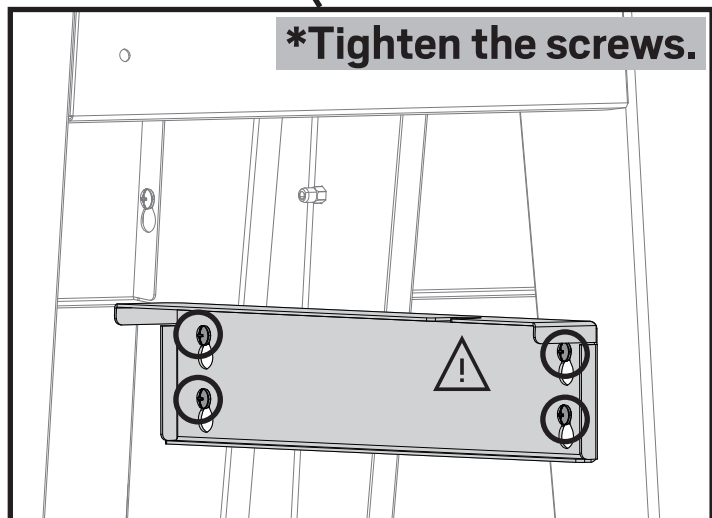
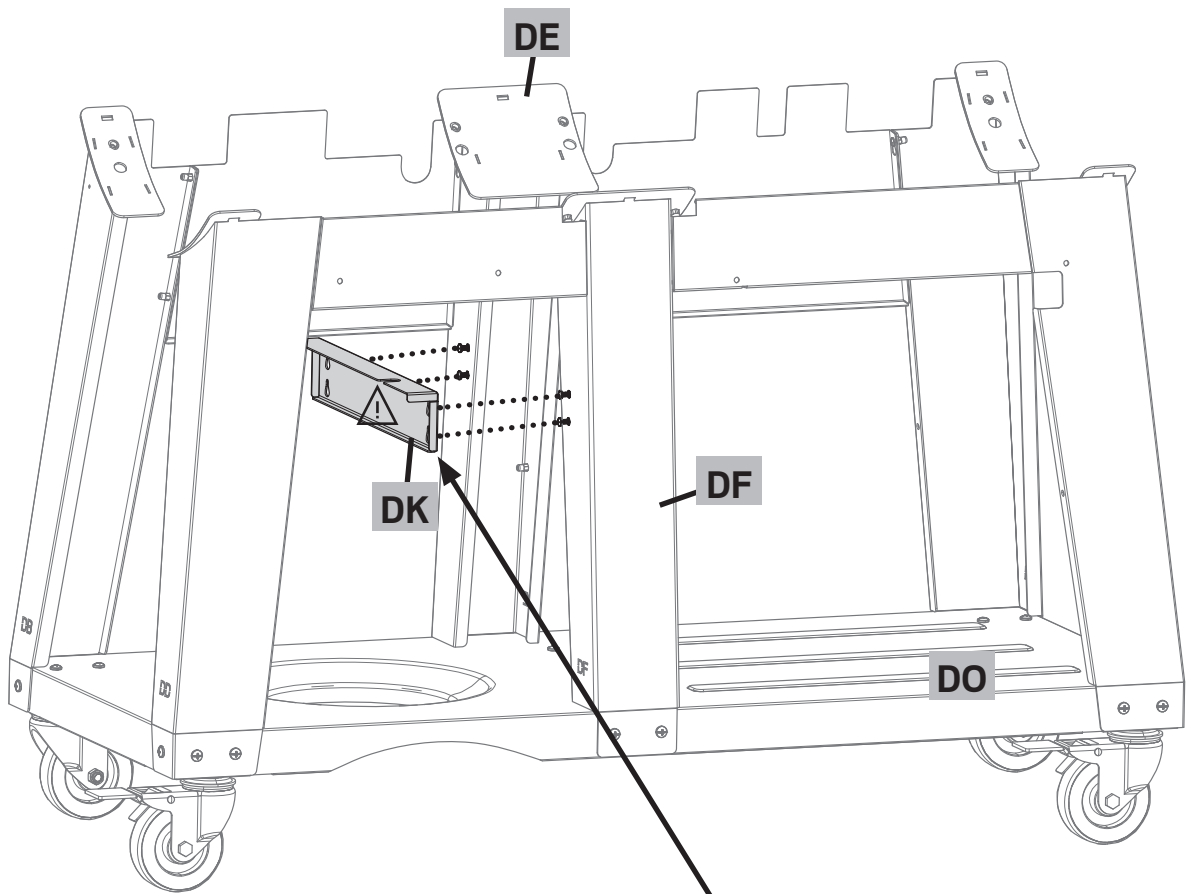
Back View



# ASSEMBLY INSTRUCTIONS

12B

Back View

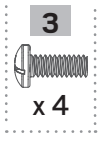


**ATTENTION:**  
Tighten all cart leg screws.

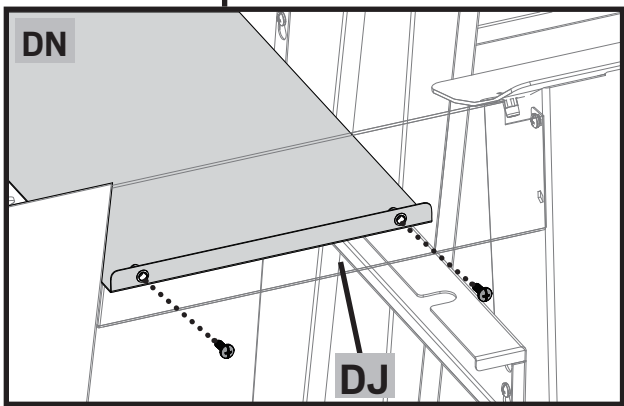
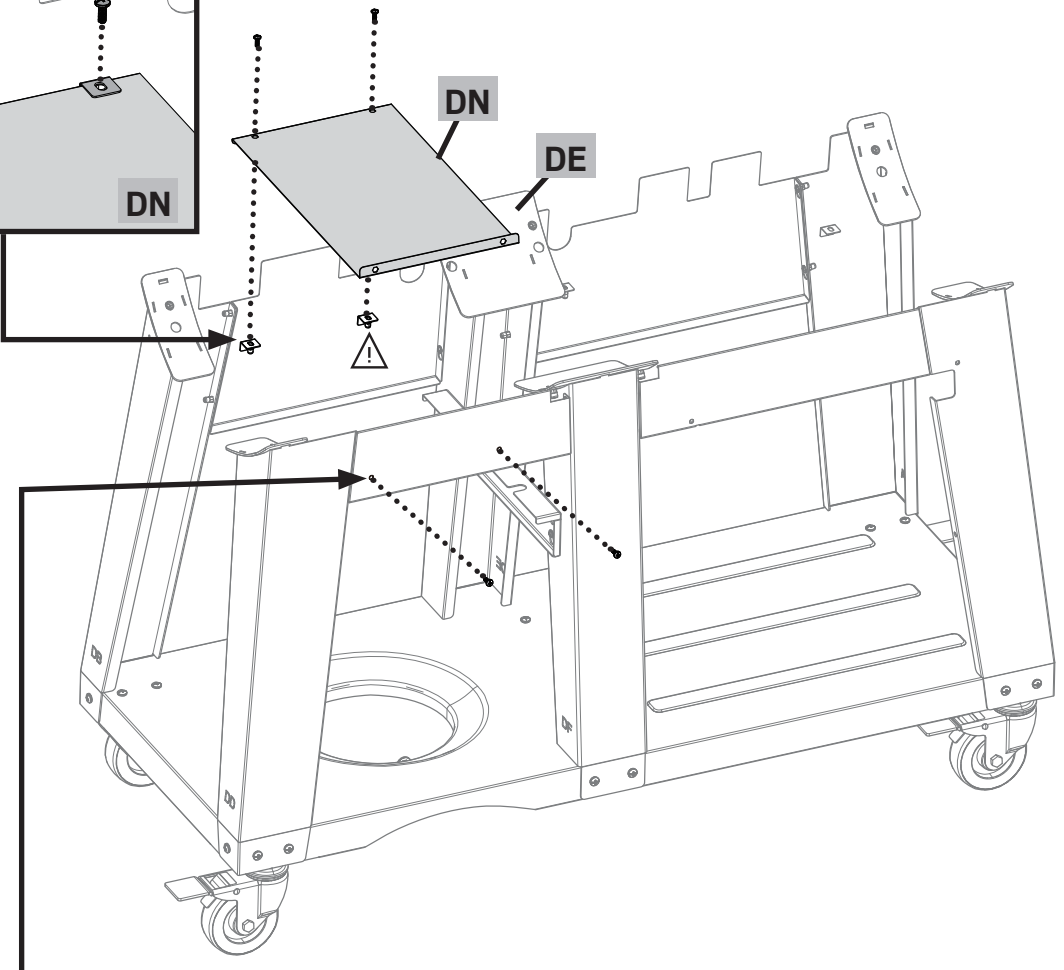
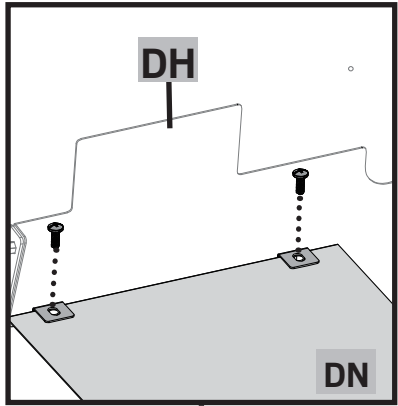
# ASSEMBLY INSTRUCTIONS

13

You will need



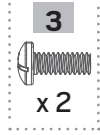
Back View



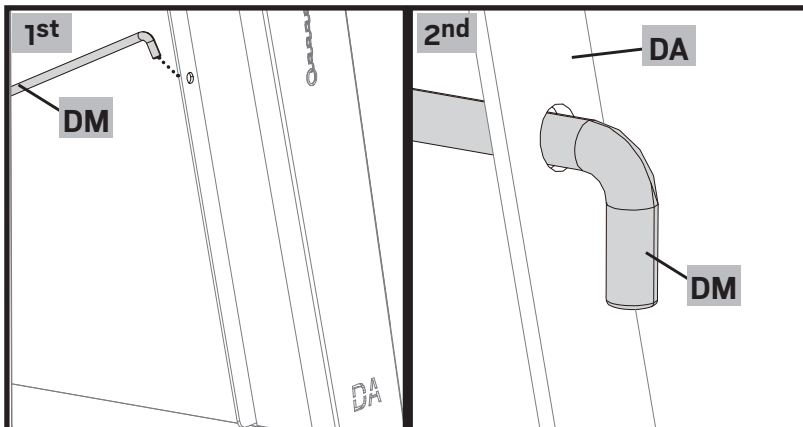
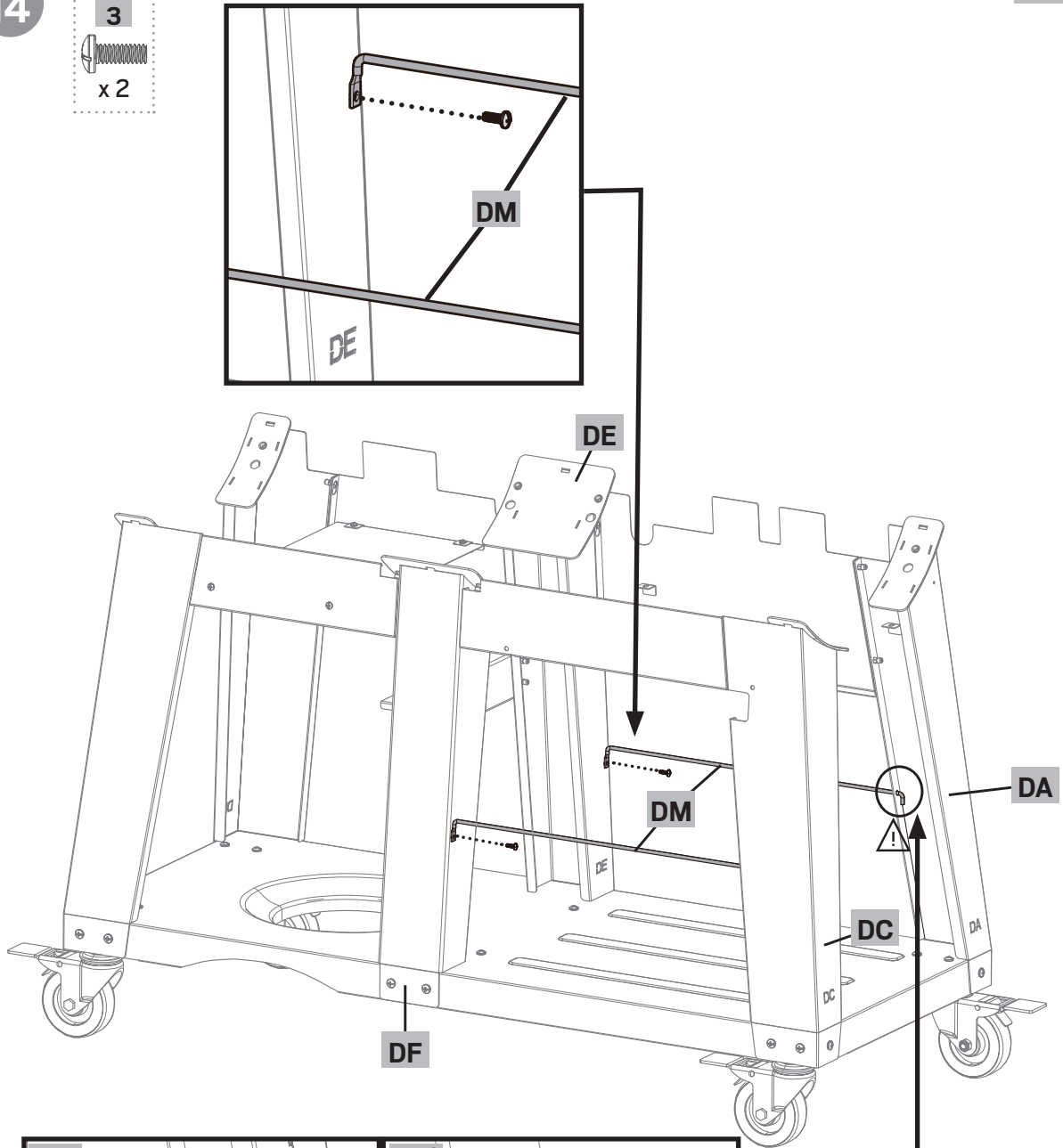
# ASSEMBLY INSTRUCTIONS

14

You will need



Back View

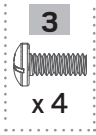




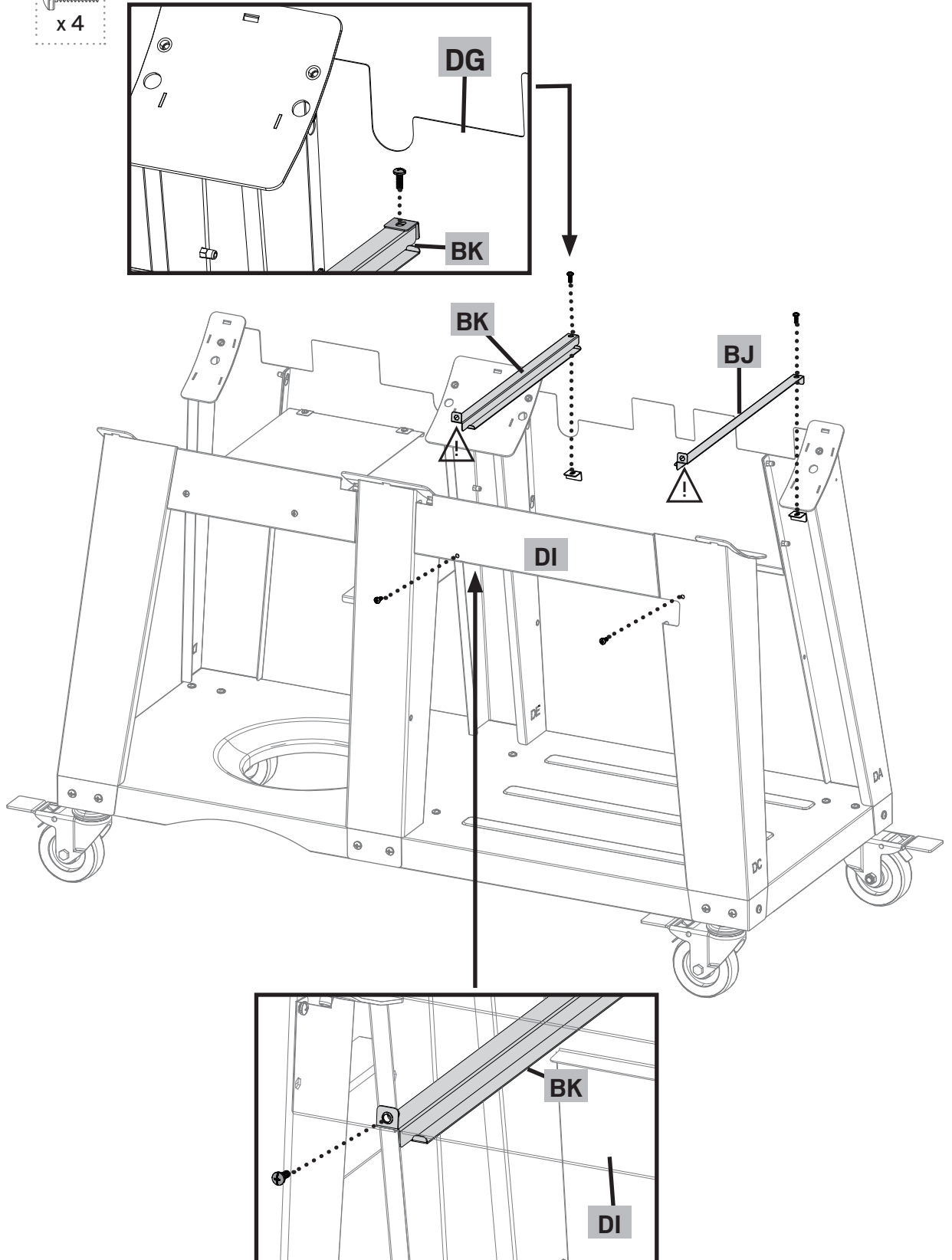
# ASSEMBLY INSTRUCTIONS

15

You will need



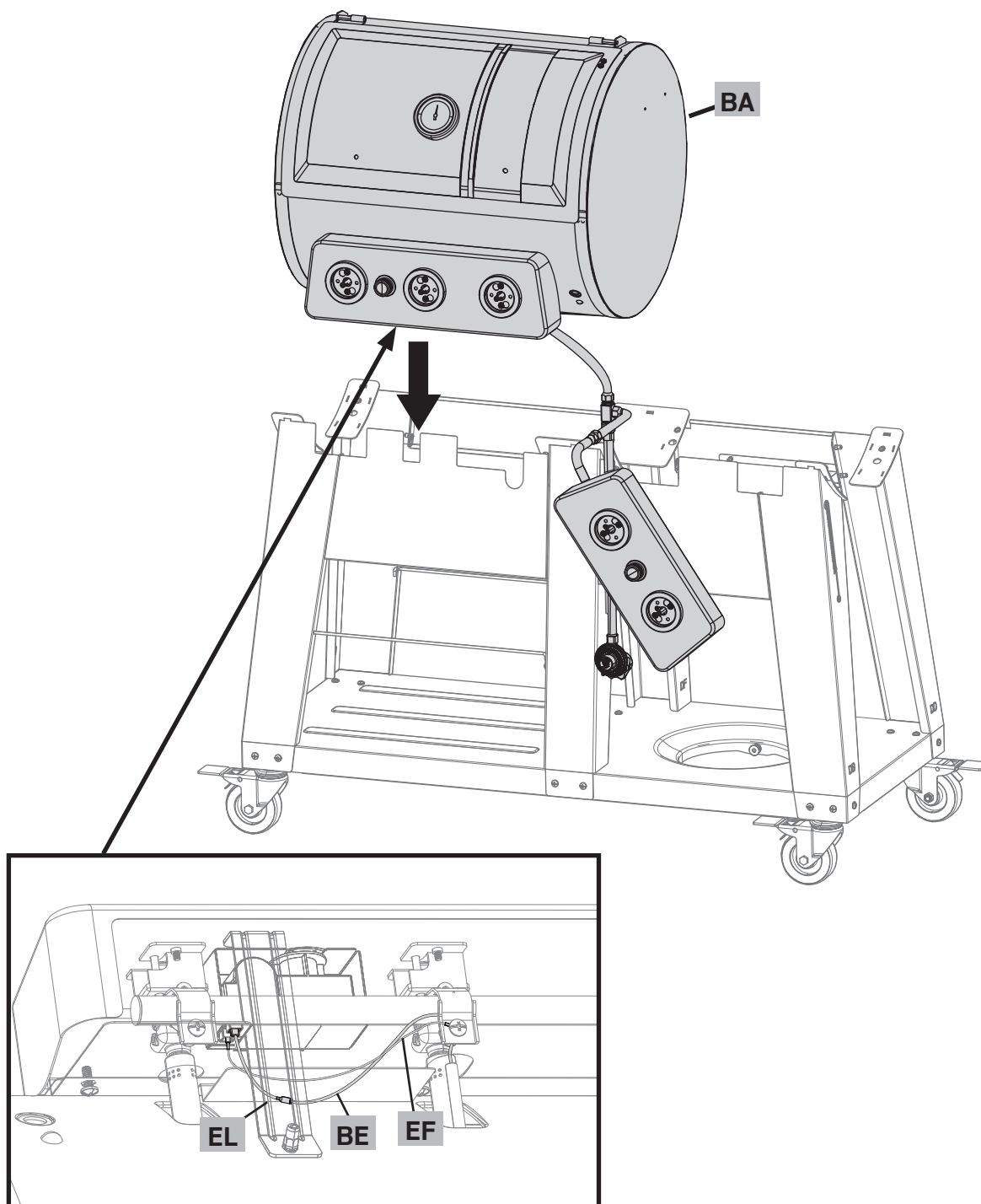
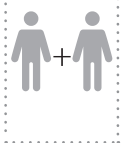
Back View



## ASSEMBLY INSTRUCTIONS

16A

You will need

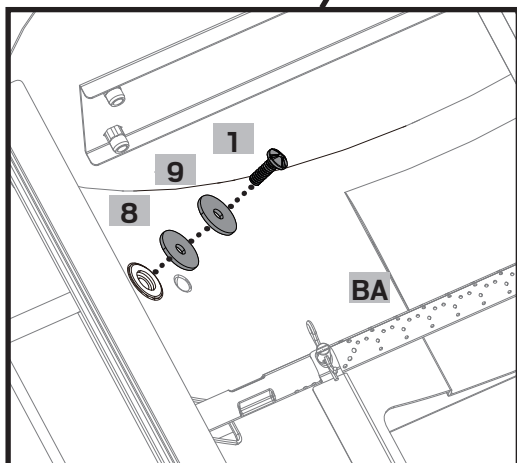
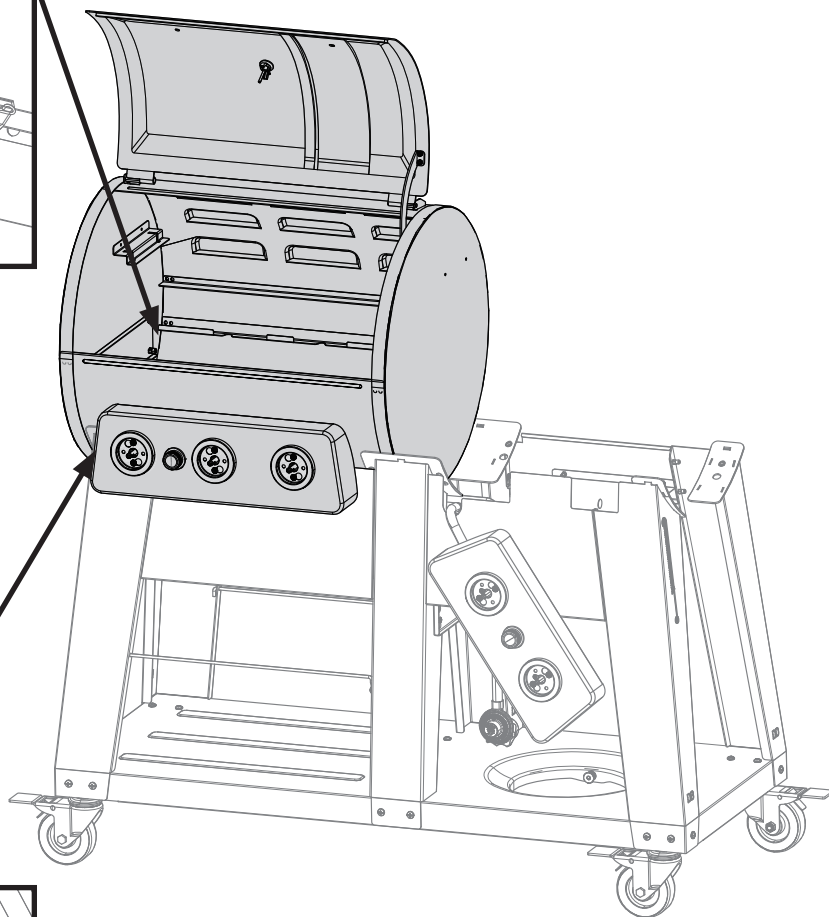
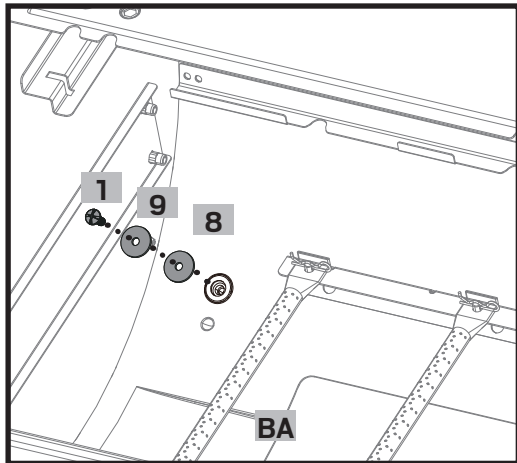
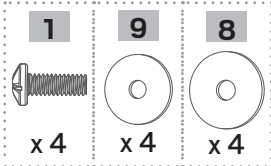


\* Check whether the Grill Side Main Burner Electrode Set (BE) is assembled firmly to the Electronic Ignition Wire Connecting Wire (EL).

## ASSEMBLY INSTRUCTIONS

16B

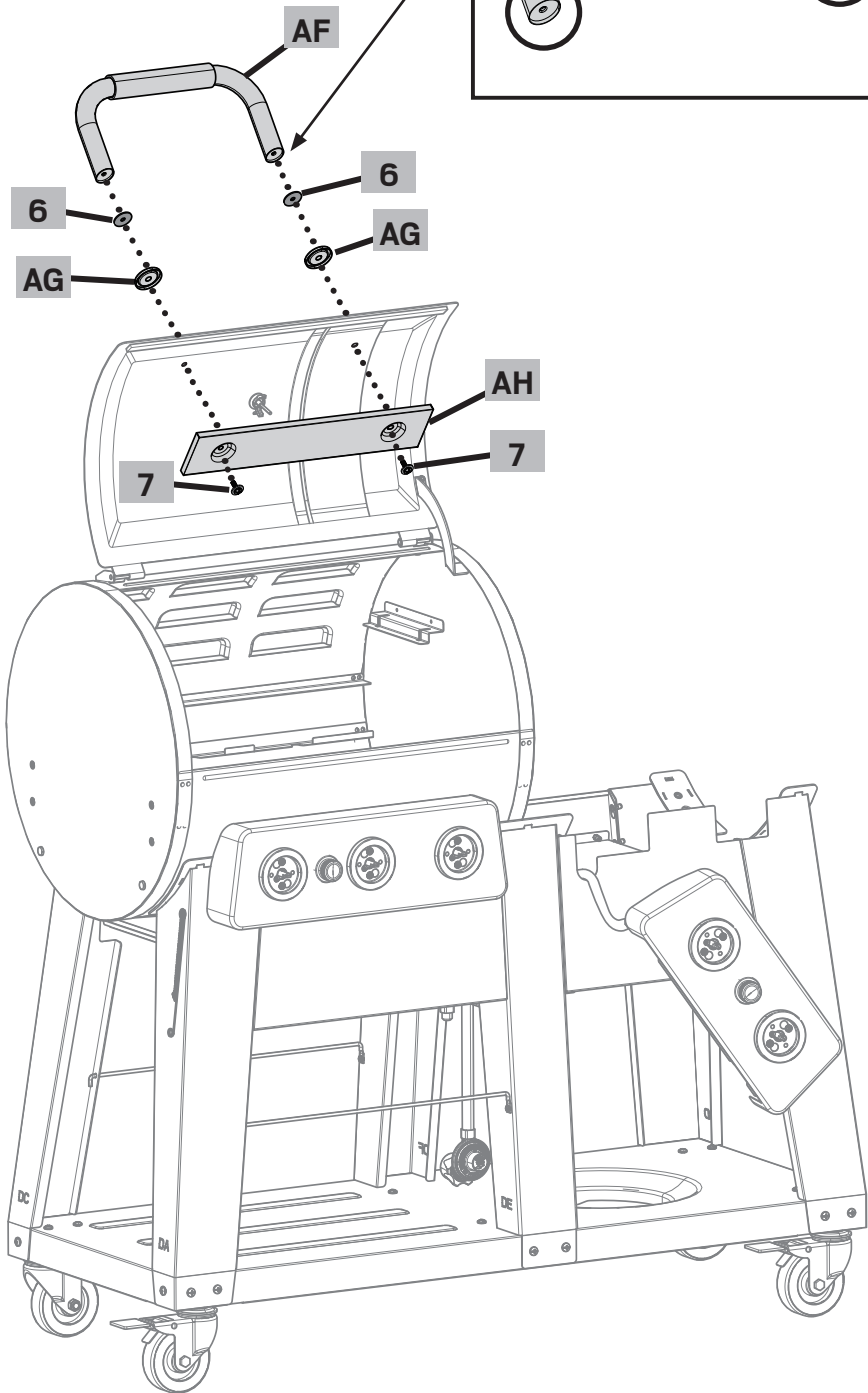
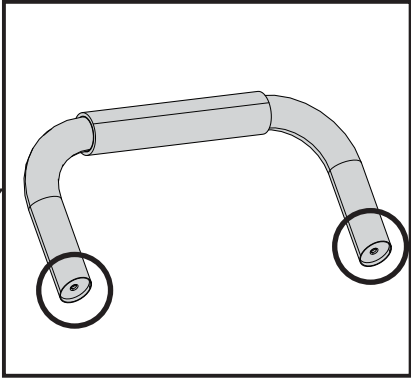
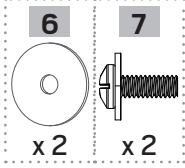
You will need



# ASSEMBLY INSTRUCTIONS

16C

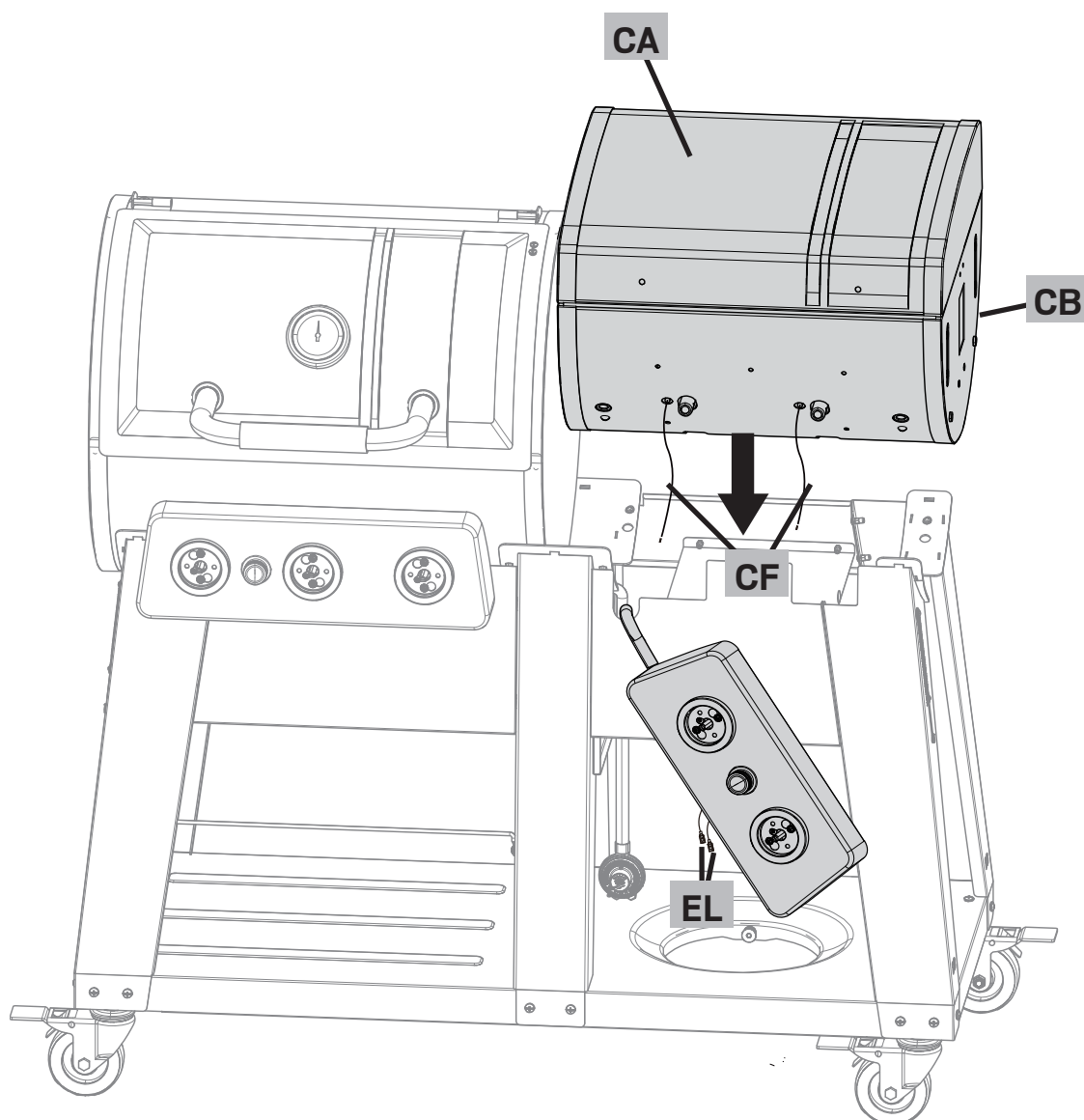
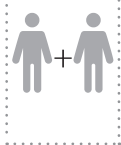
You will need



## ASSEMBLY INSTRUCTIONS

17A

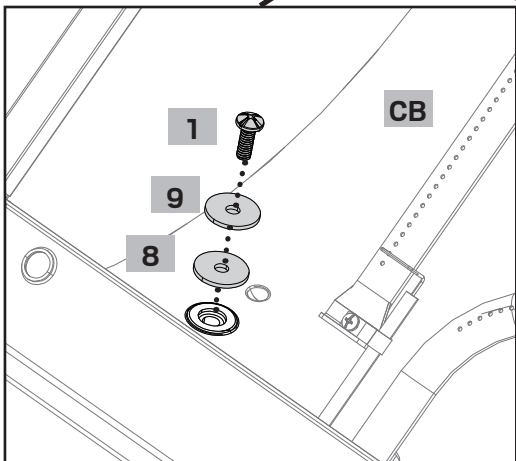
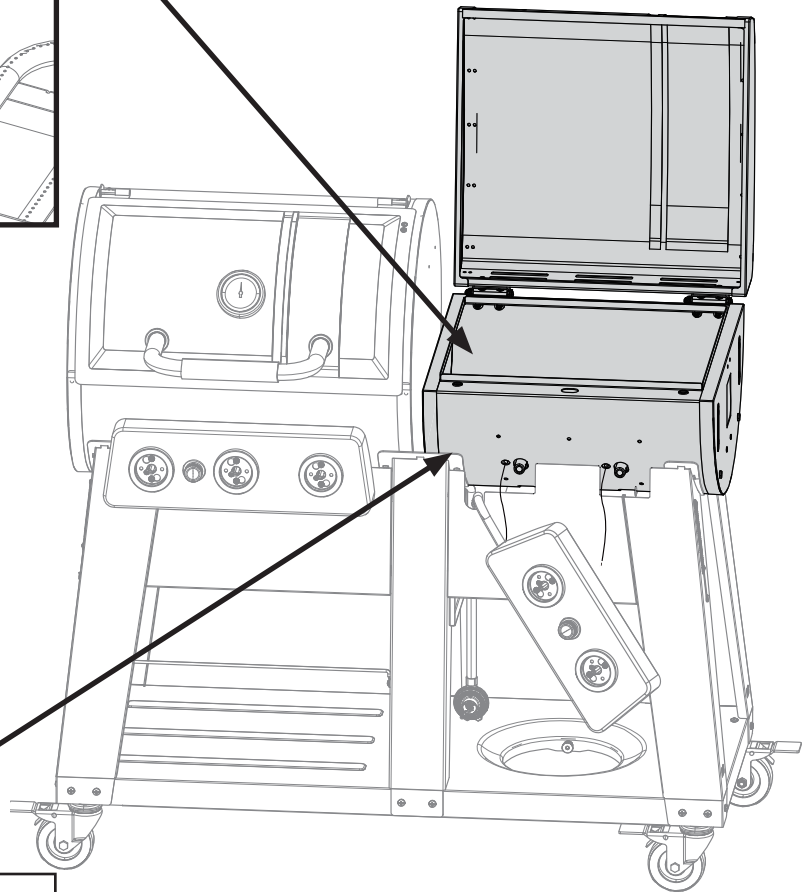
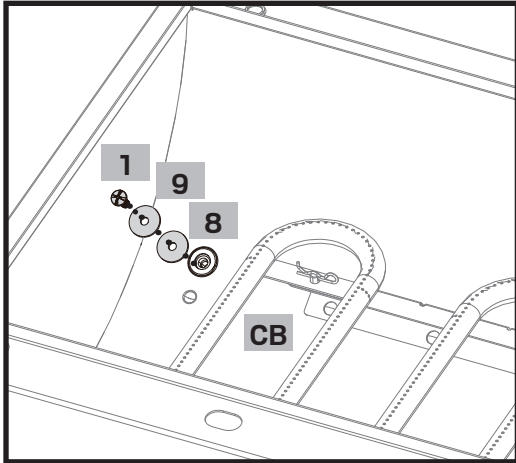
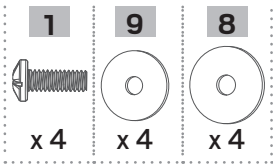
You will need



# ASSEMBLY INSTRUCTIONS

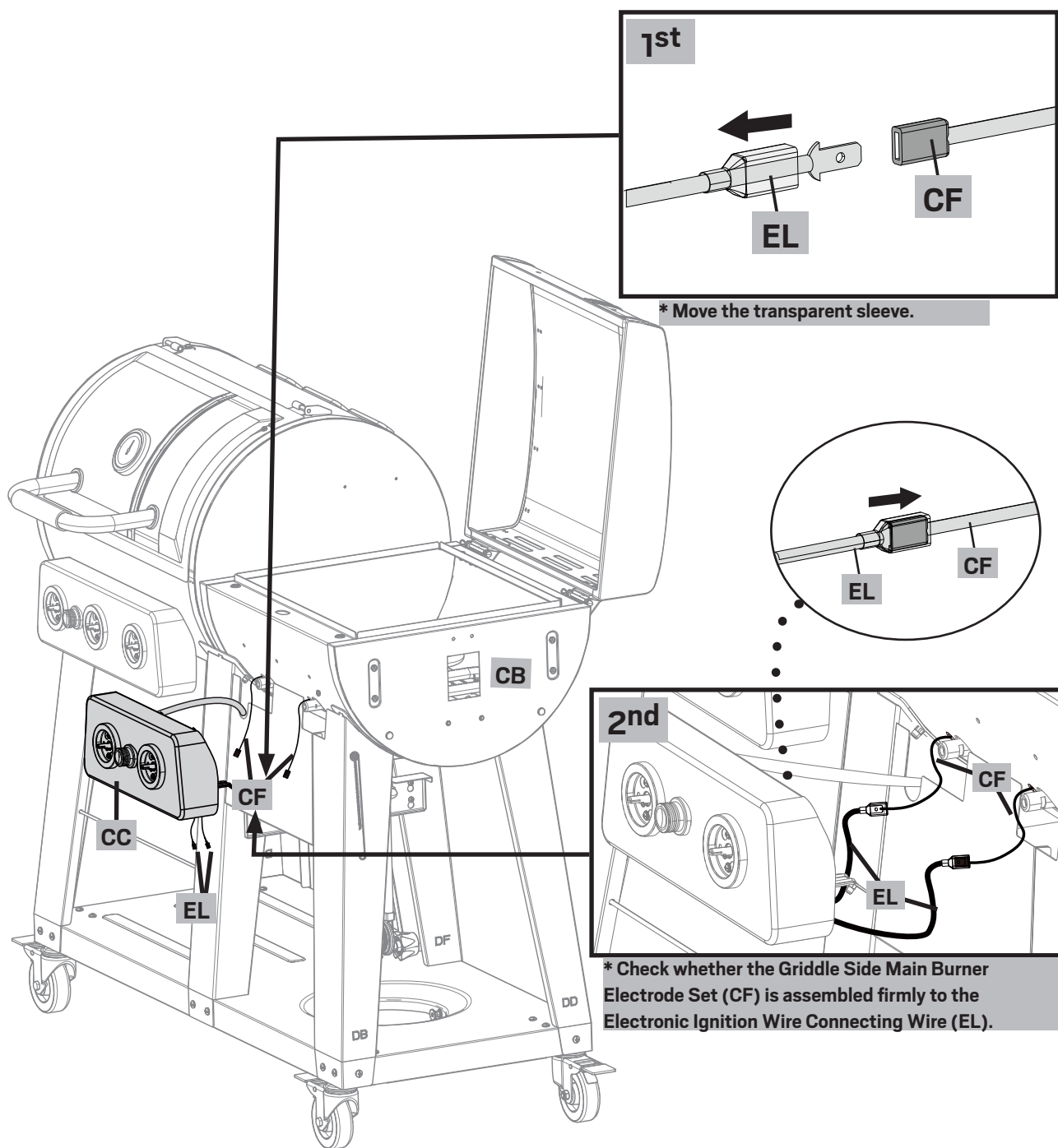
17B

You will need



## ASSEMBLY INSTRUCTIONS

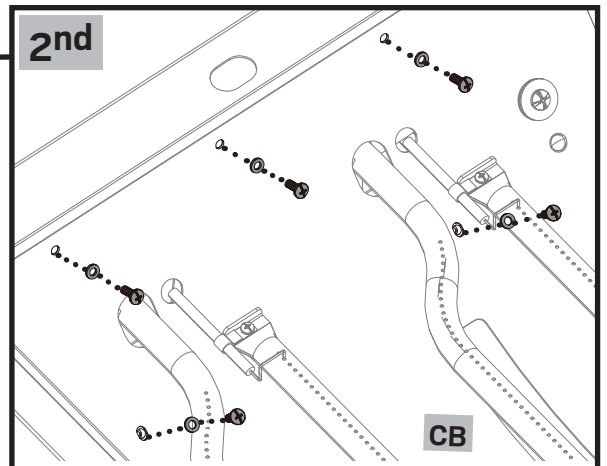
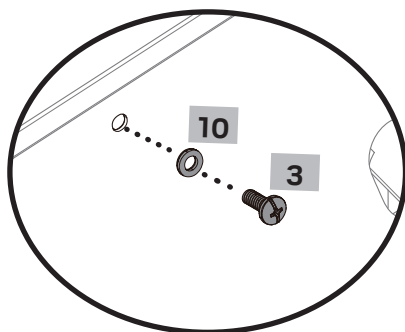
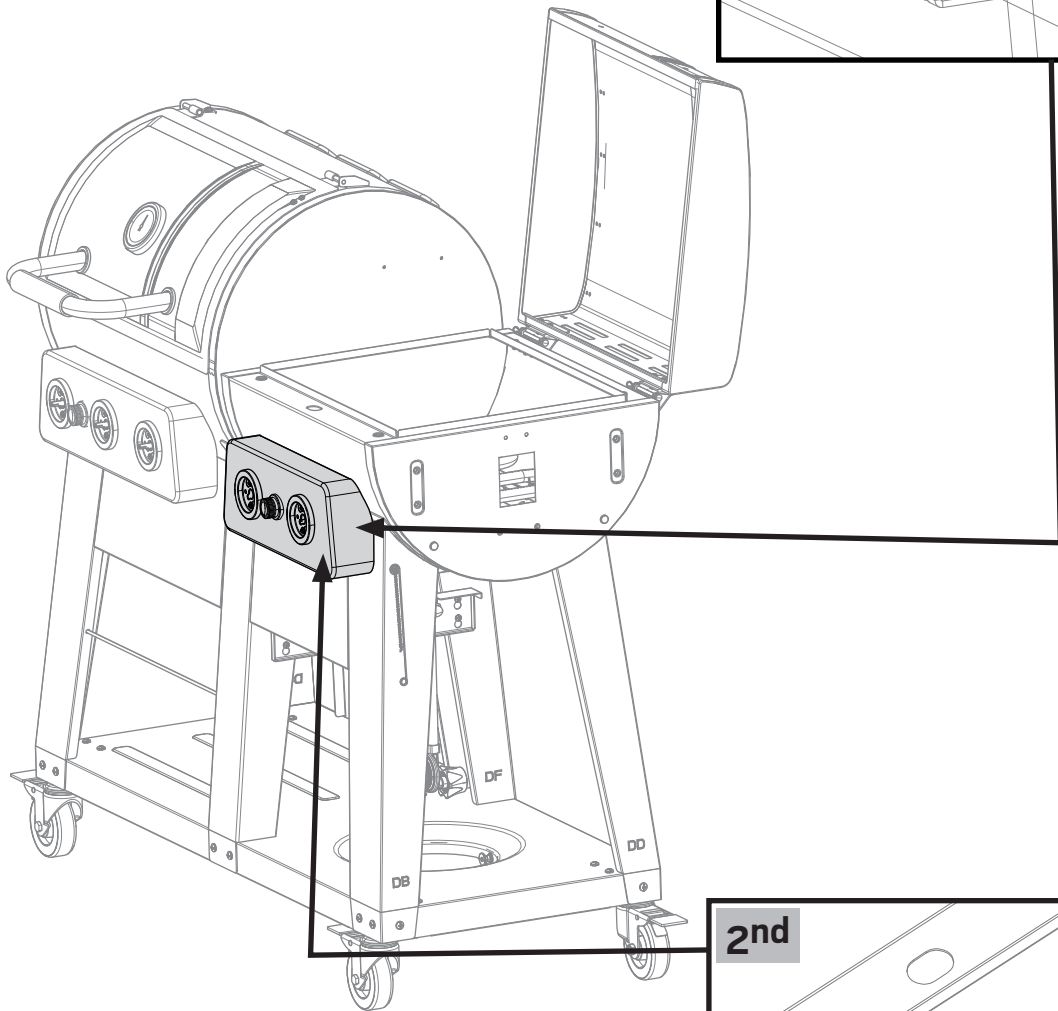
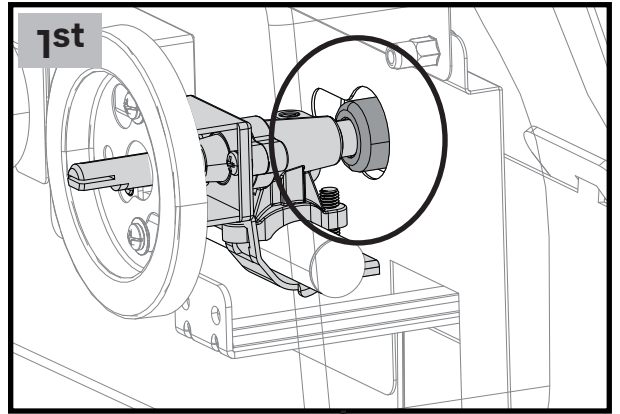
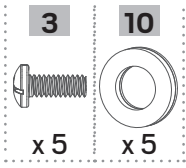
17C



# ASSEMBLY INSTRUCTIONS

17D

You will need

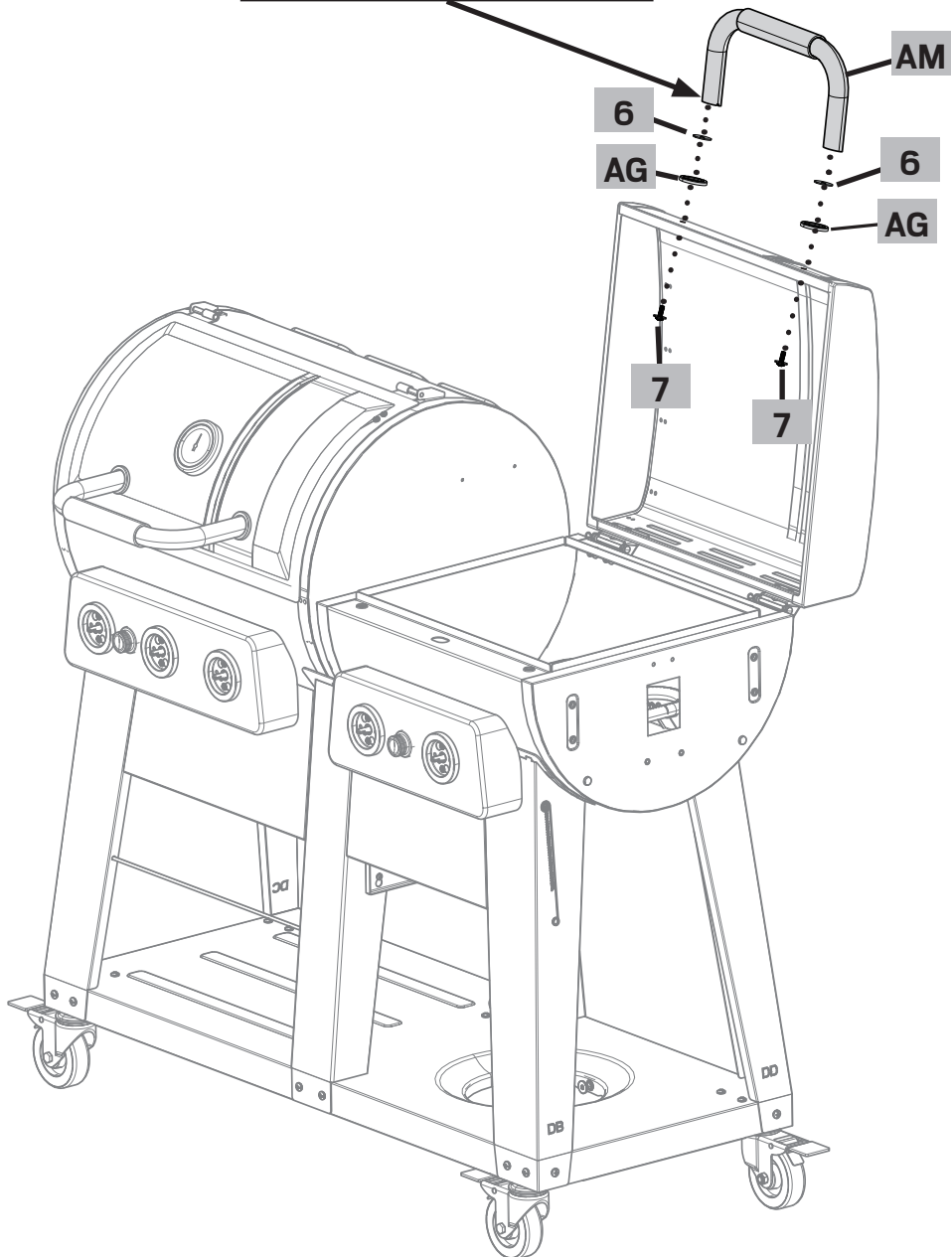
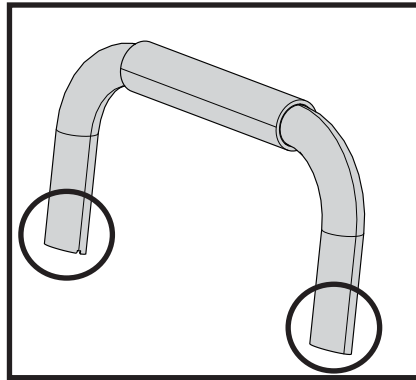
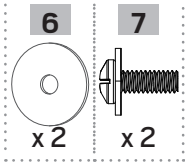




# ASSEMBLY INSTRUCTIONS

17E

You will need



## ASSEMBLY INSTRUCTIONS

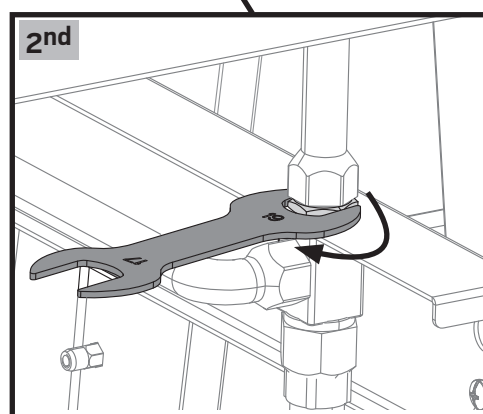
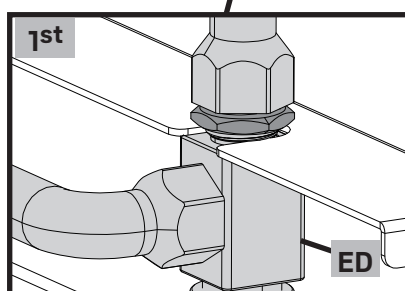
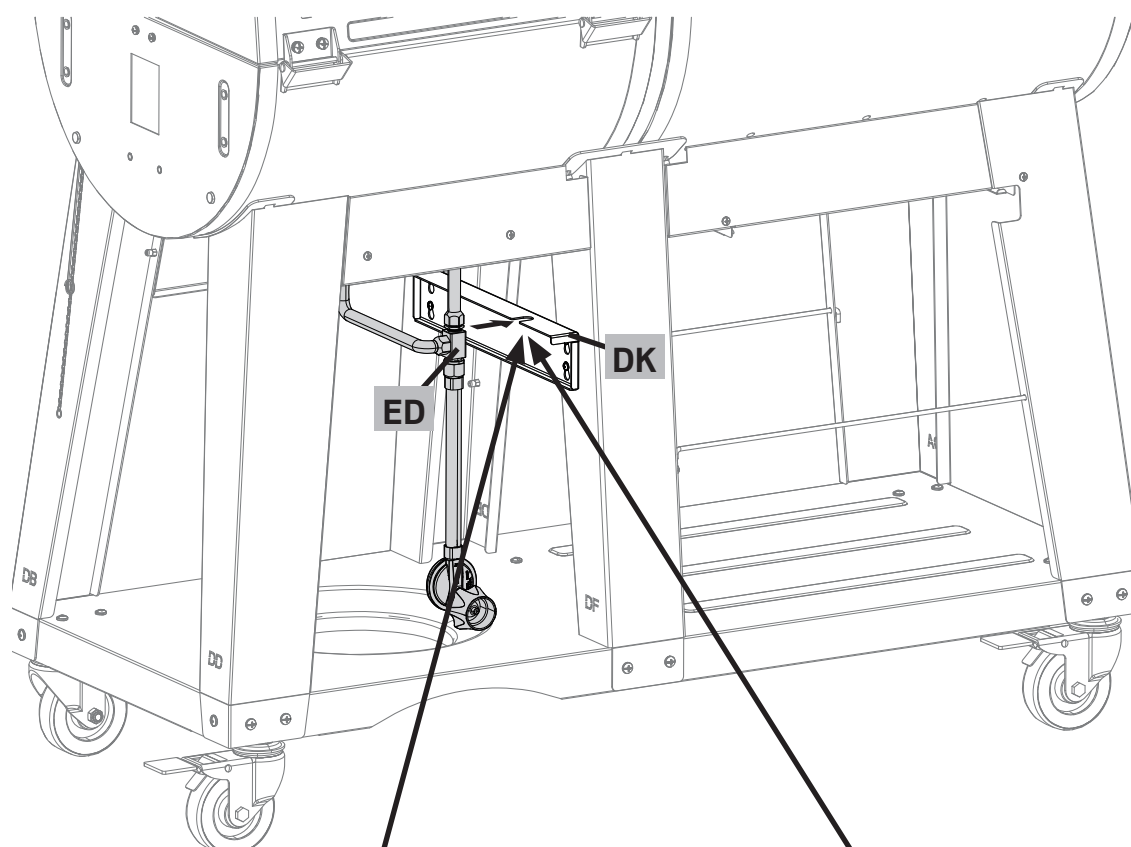
18

You will need

12



x1



## ASSEMBLY INSTRUCTIONS

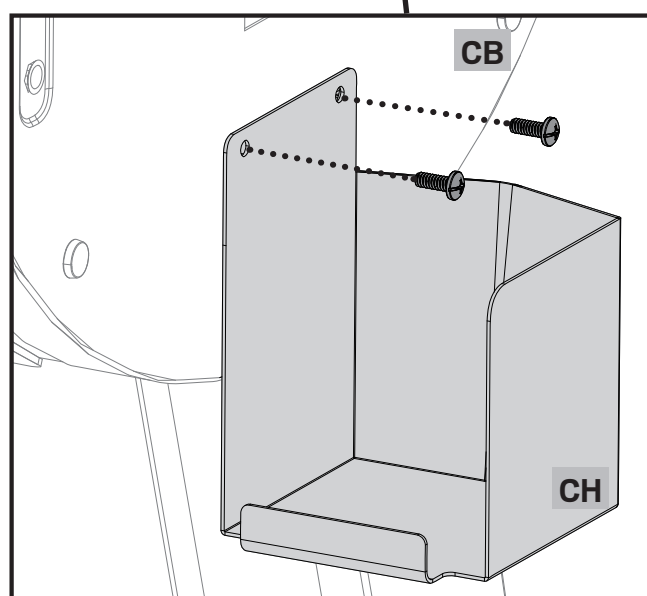
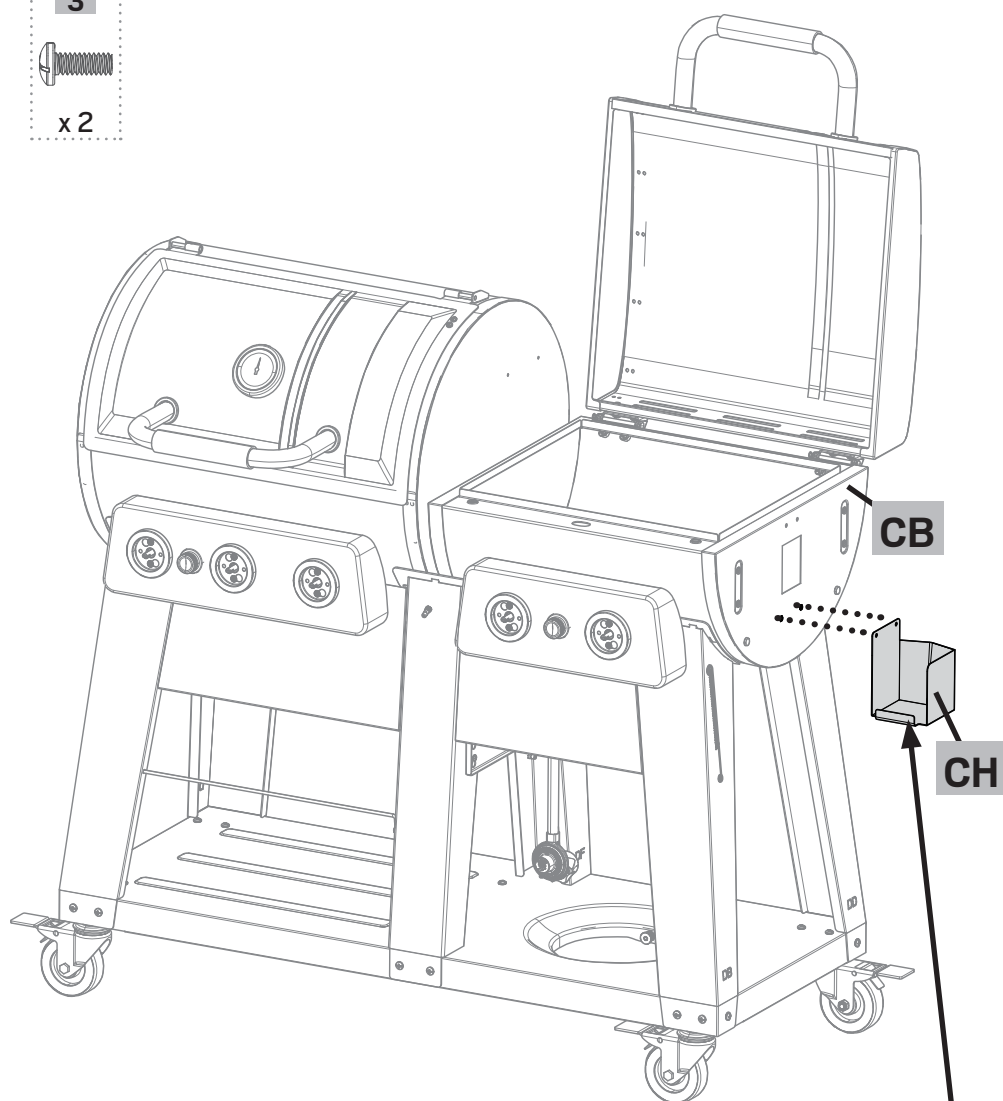
19A

You will need

3



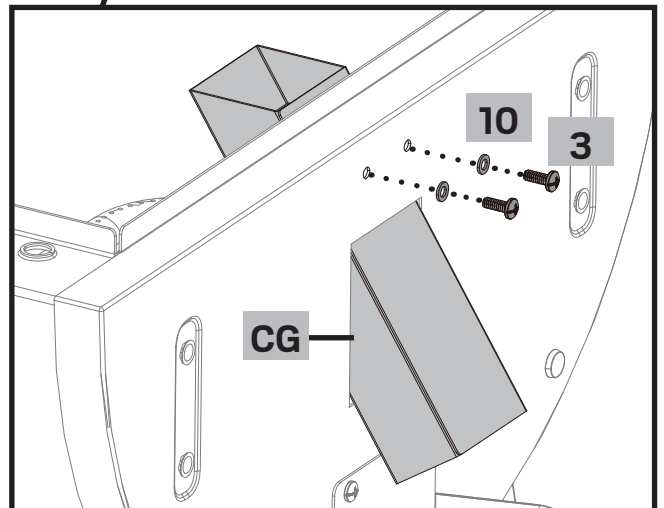
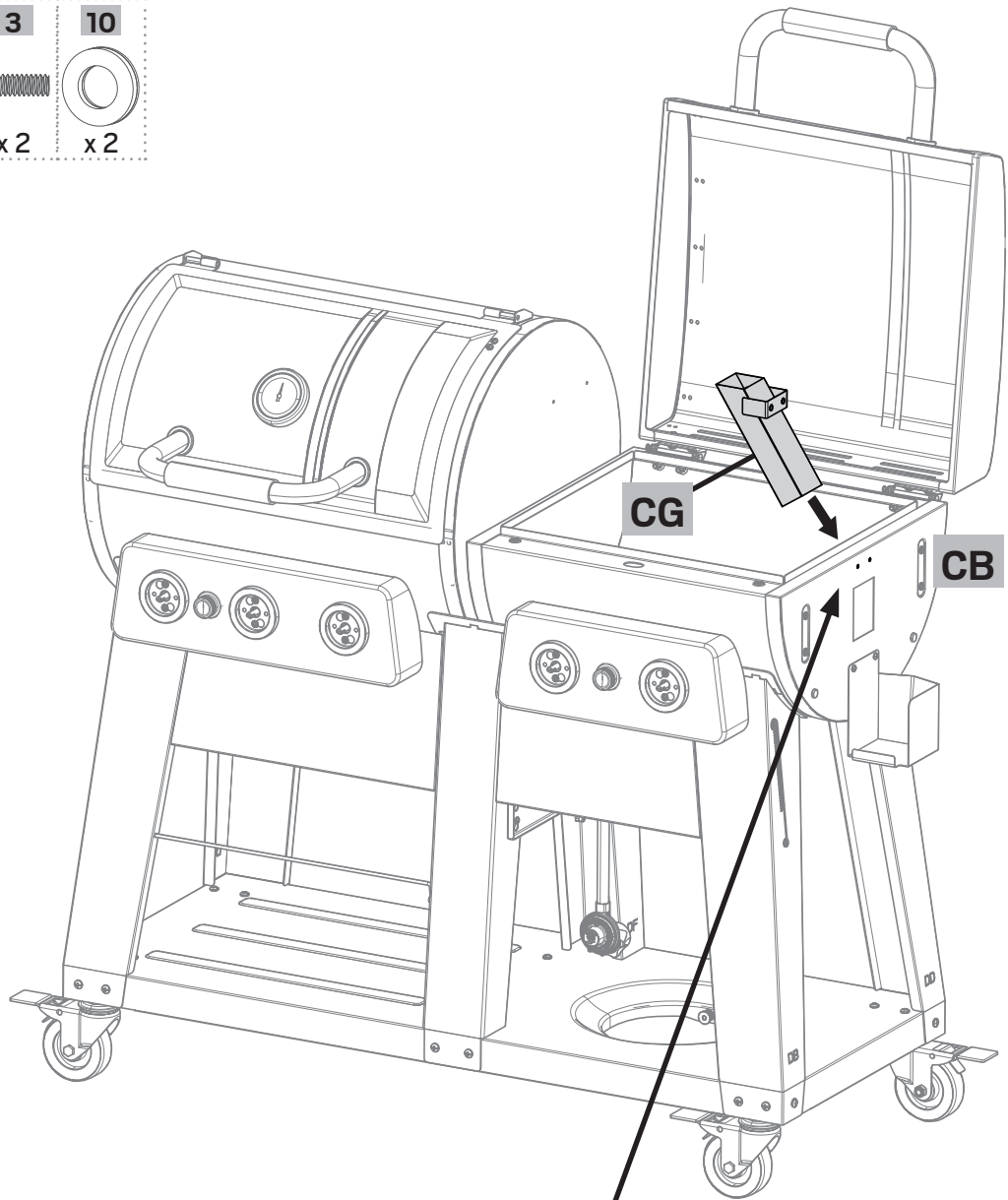
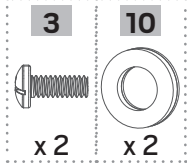
x 2



# ASSEMBLY INSTRUCTIONS

19B

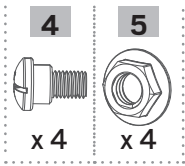
You will need



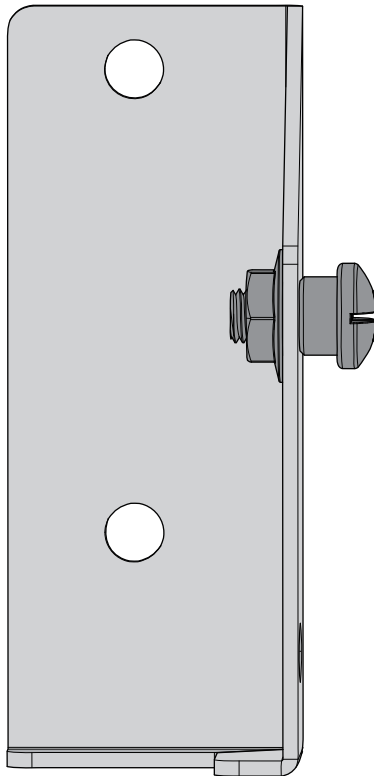
## ASSEMBLY INSTRUCTIONS

20

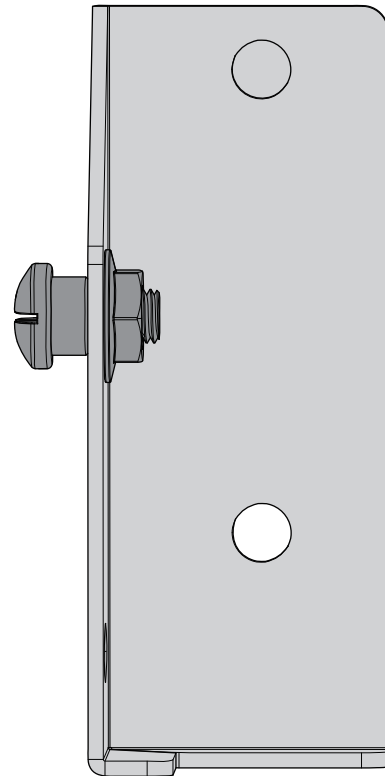
You will need



FA x 2



FB x 2



# ASSEMBLY INSTRUCTIONS

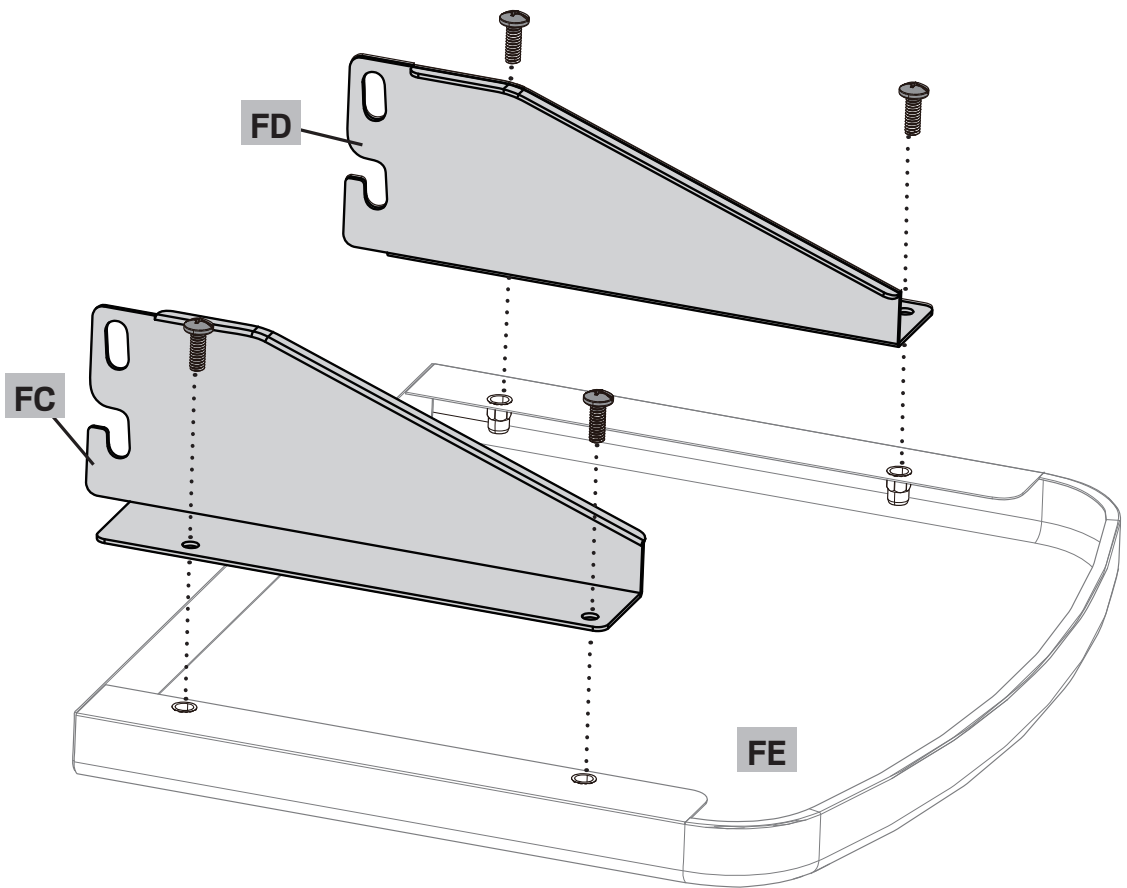
21A

You will need

2



x 4



# ASSEMBLY INSTRUCTIONS

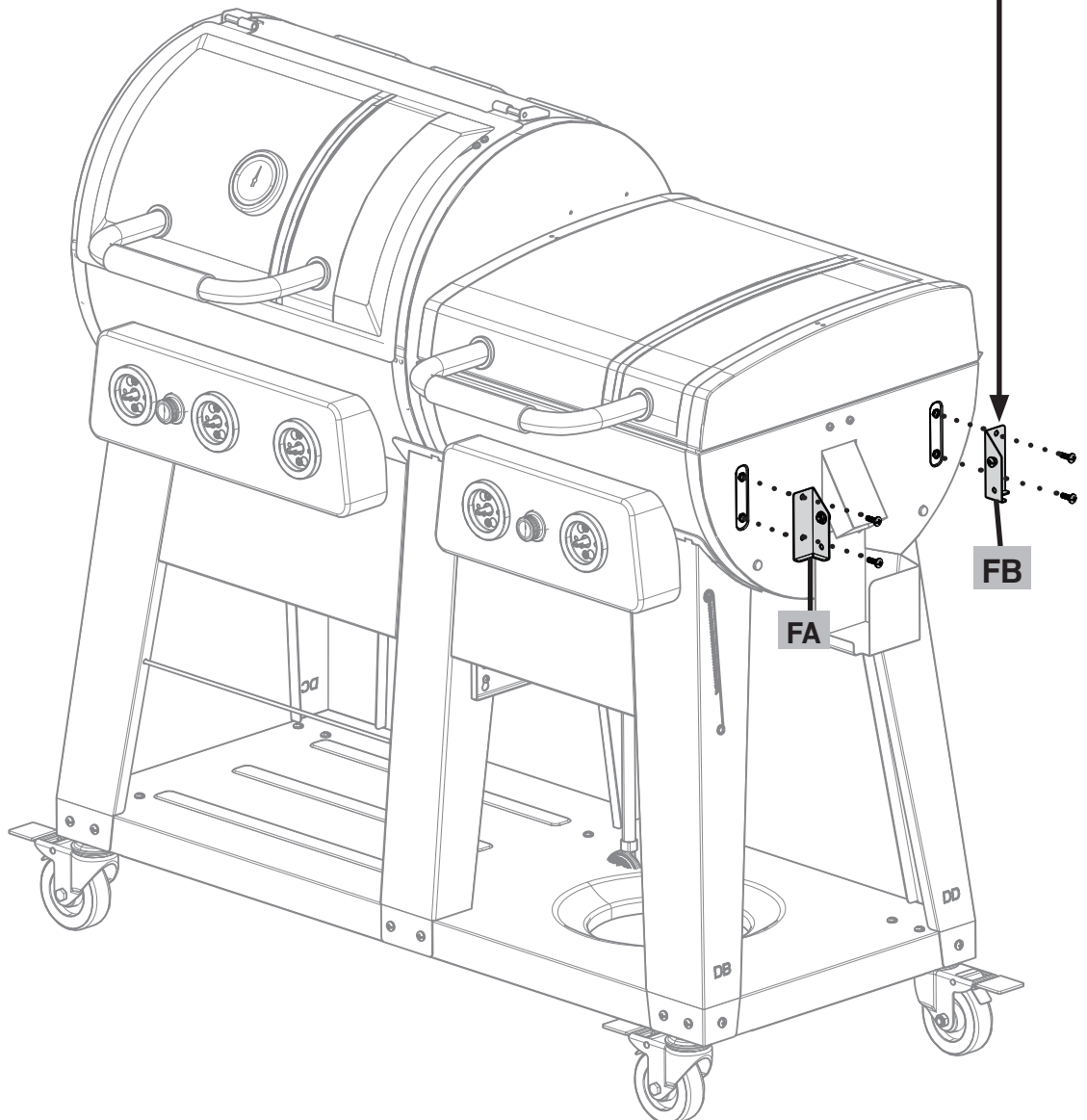
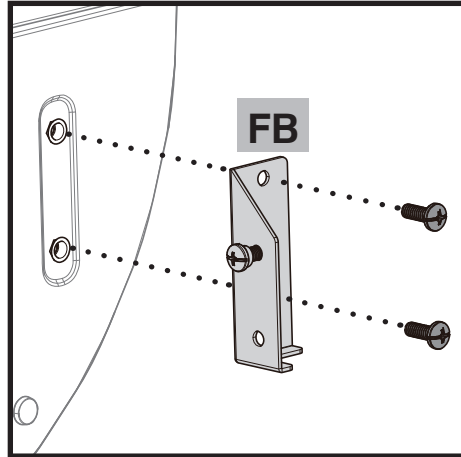
21B

You will need

2

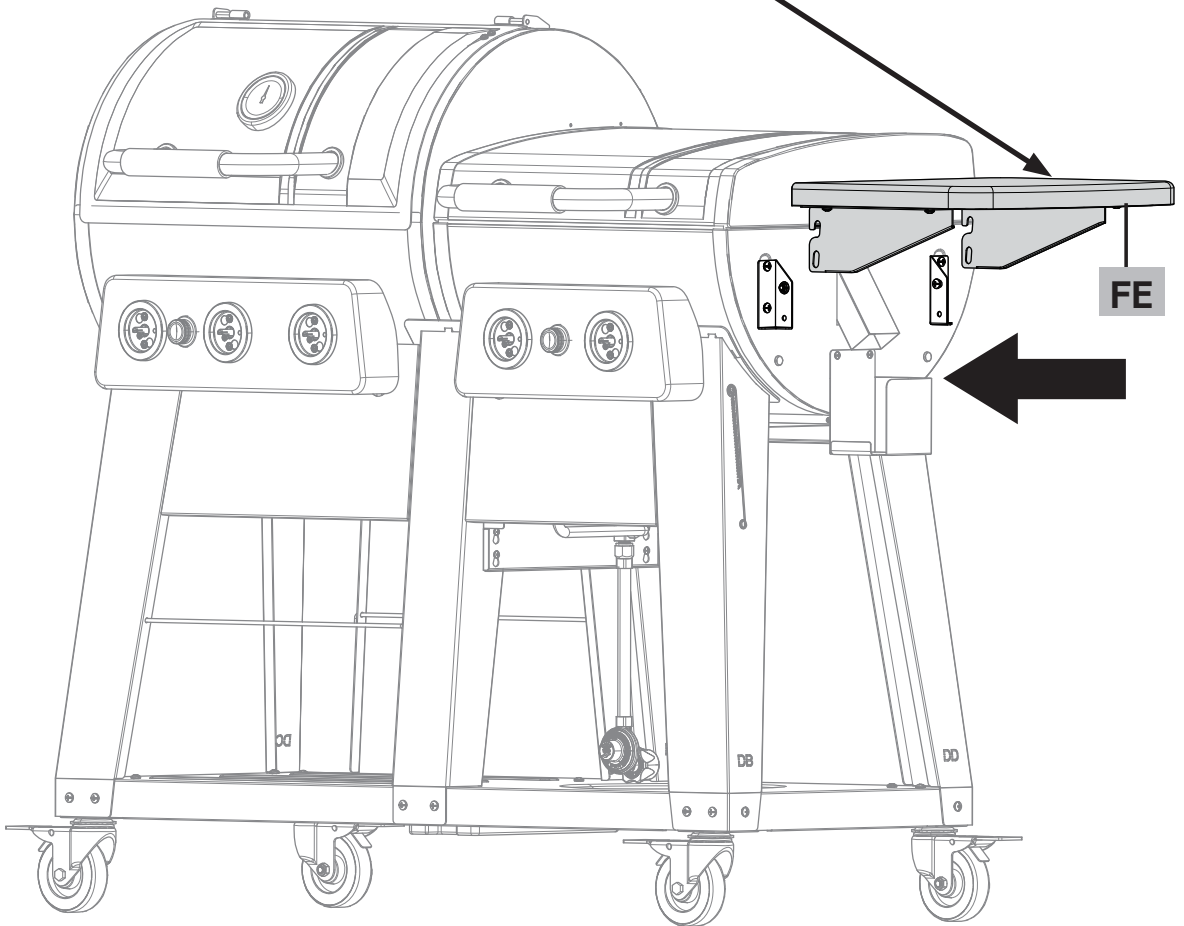
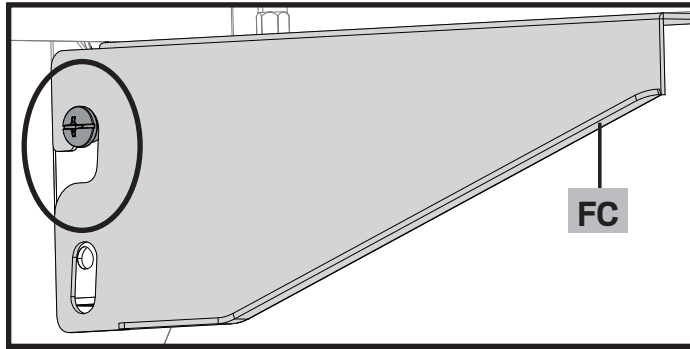


x 4



# ASSEMBLY INSTRUCTIONS

21C

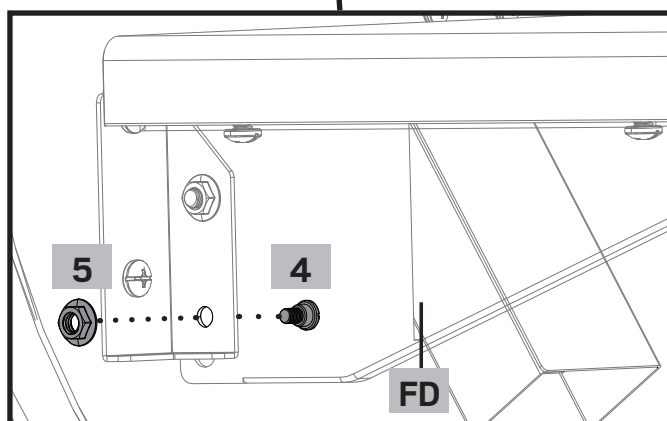
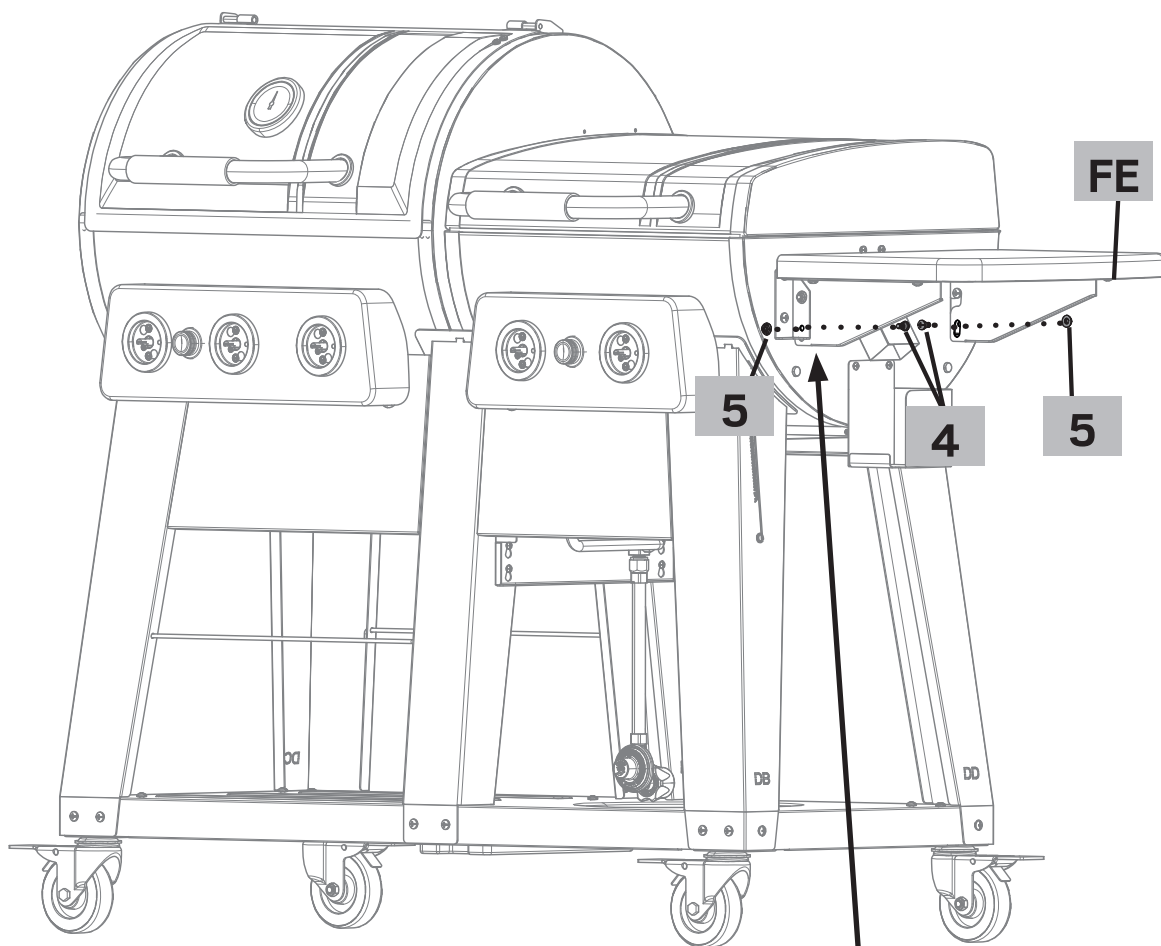
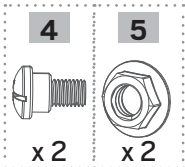




## ASSEMBLY INSTRUCTIONS

21D

You will need



## ASSEMBLY INSTRUCTIONS

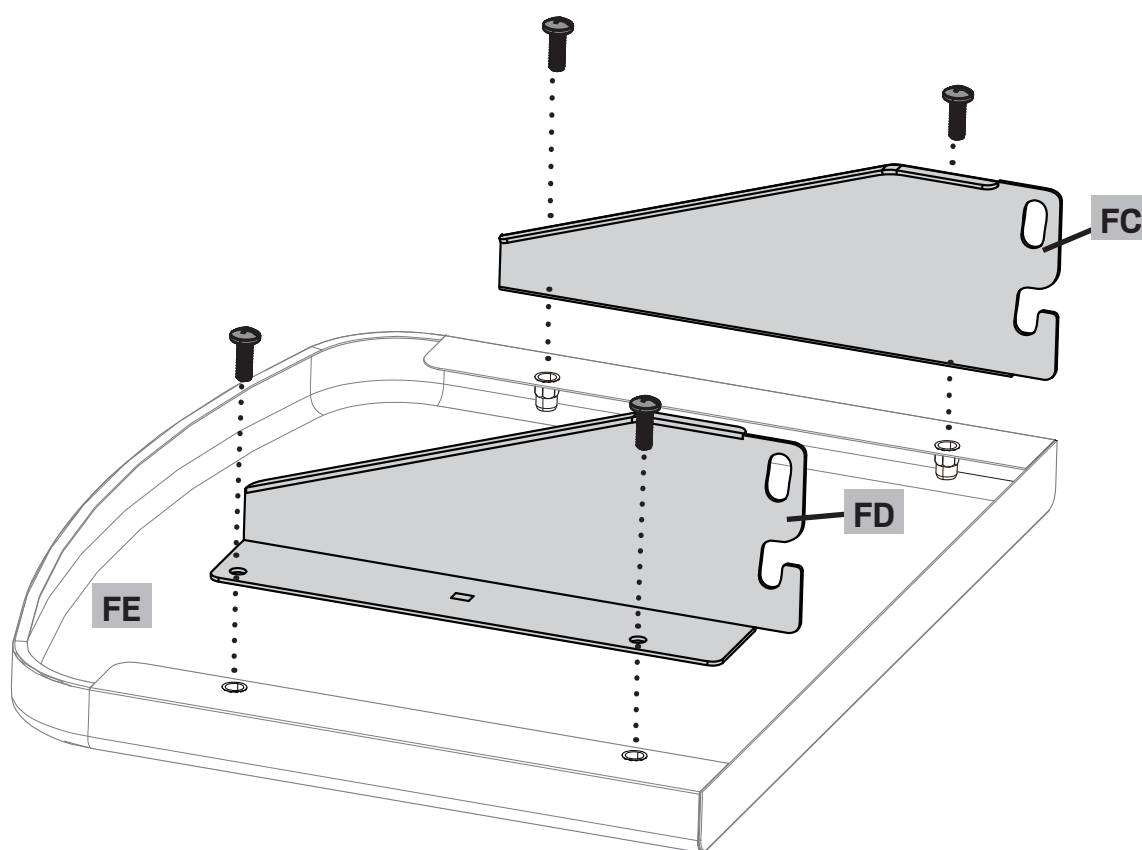
22A

You will need

2



x 4



# ASSEMBLY INSTRUCTIONS

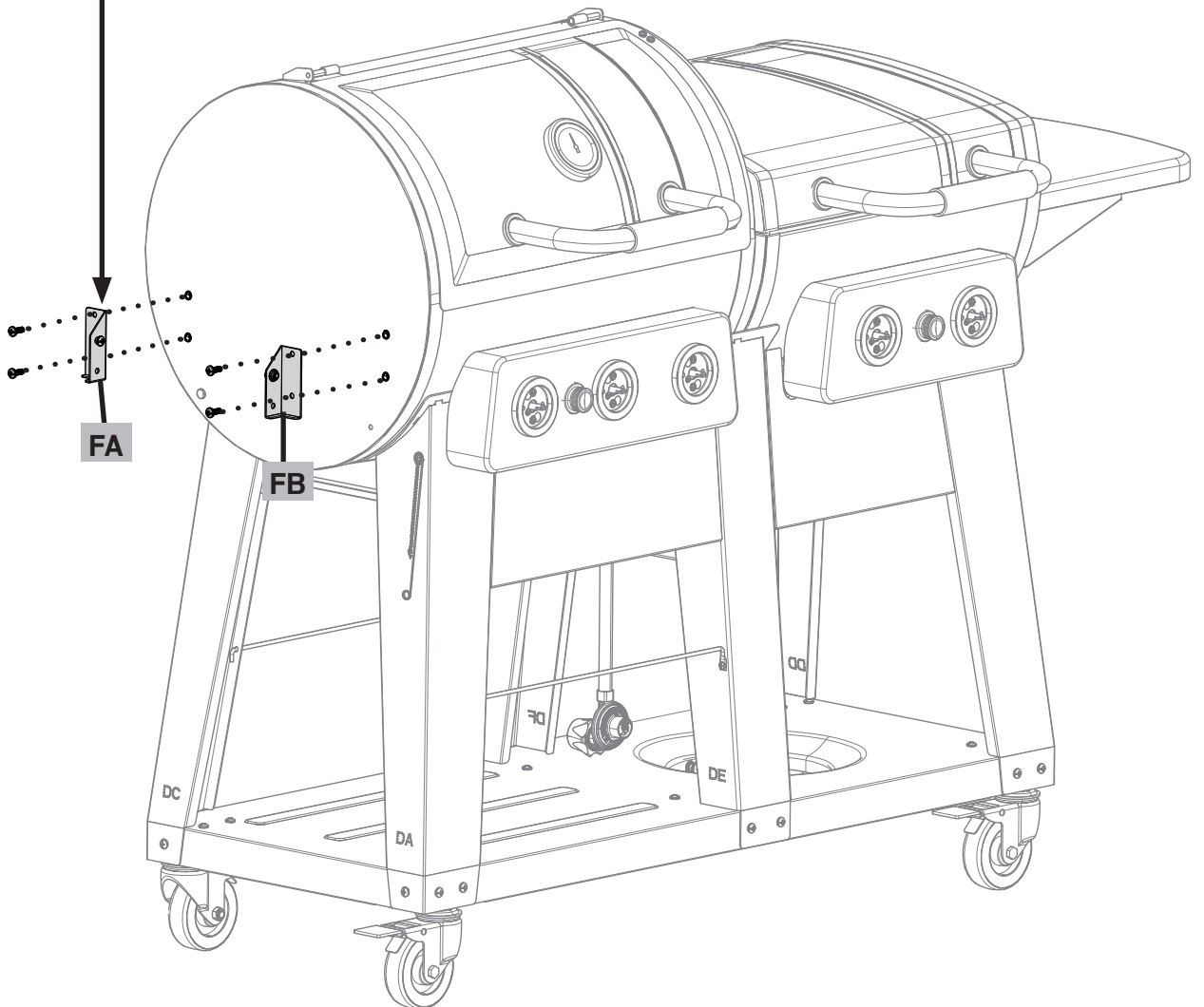
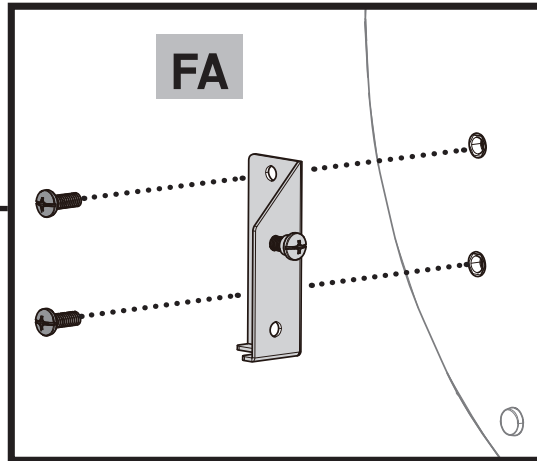
22B

You will need

2

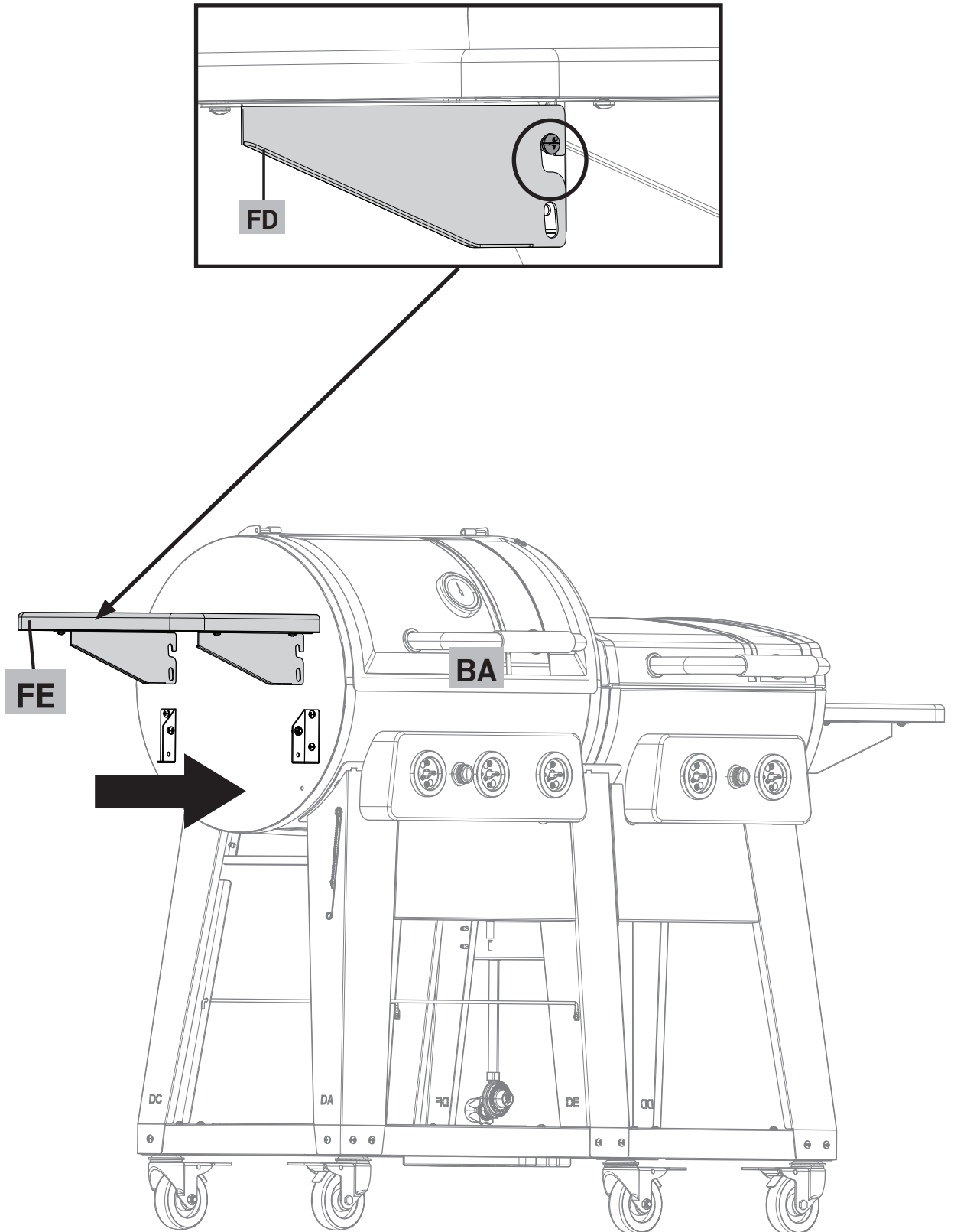


x 4



# ASSEMBLY INSTRUCTIONS

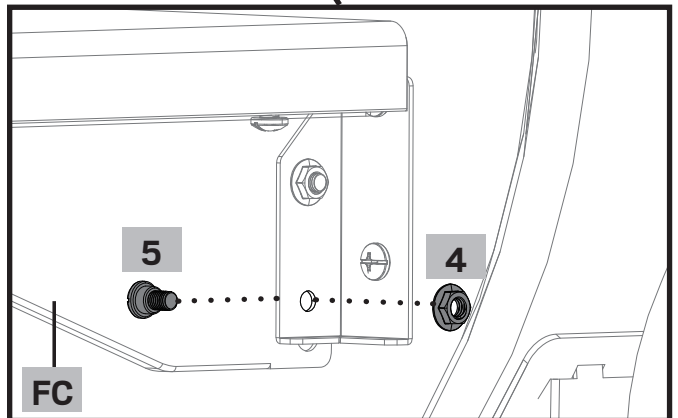
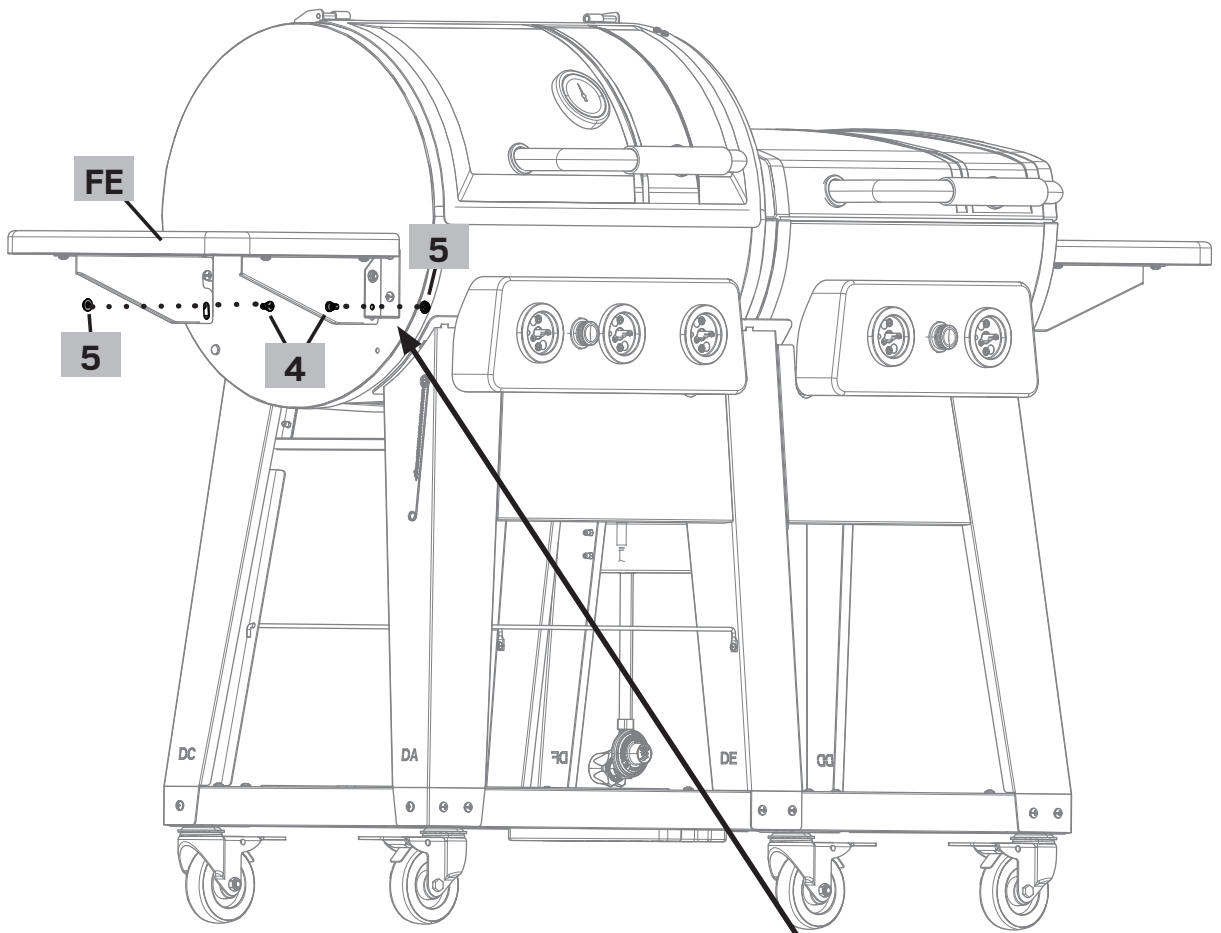
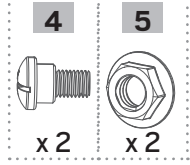
22C



# ASSEMBLY INSTRUCTIONS

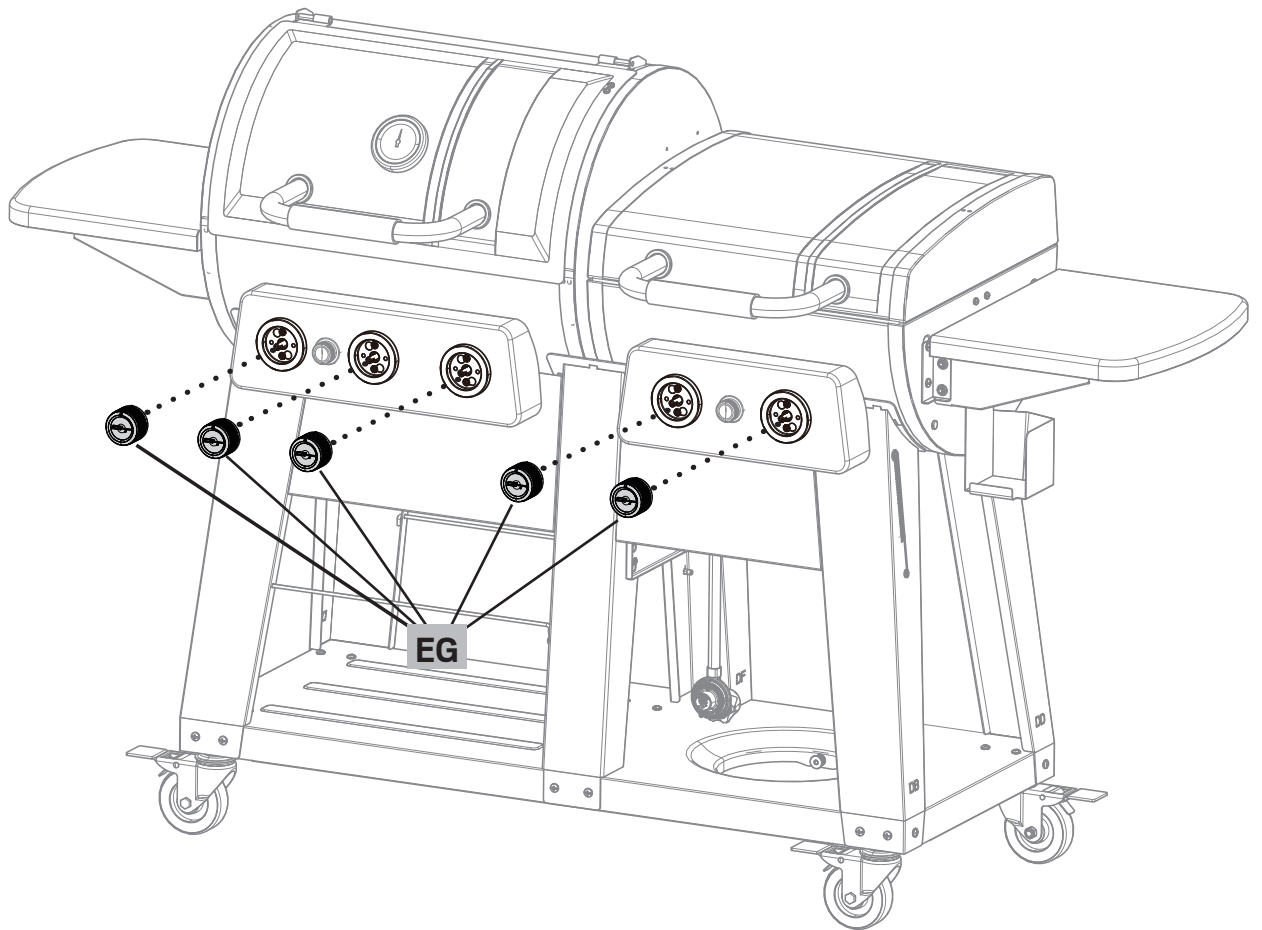
22D

You will need



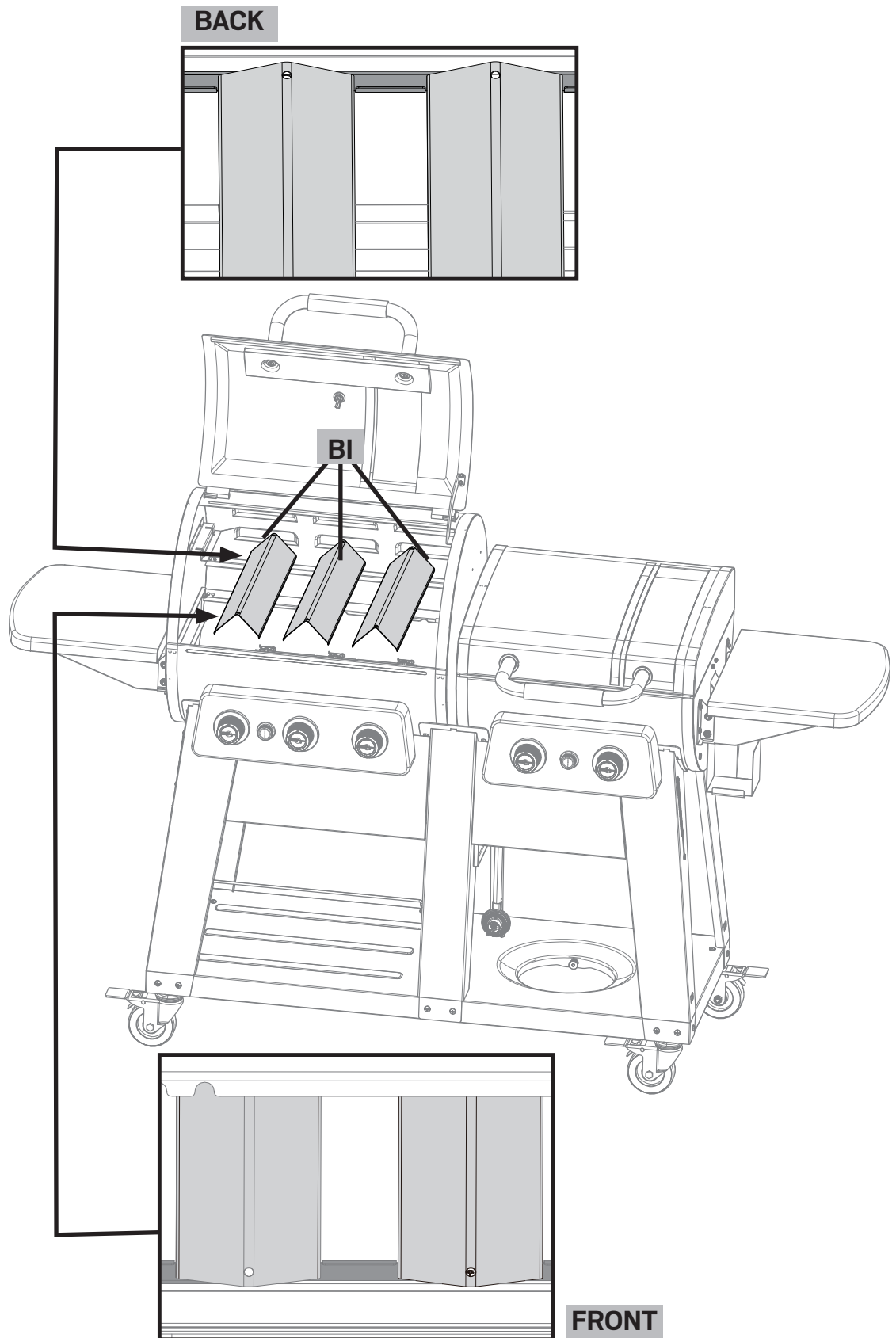
# ASSEMBLY INSTRUCTIONS

23



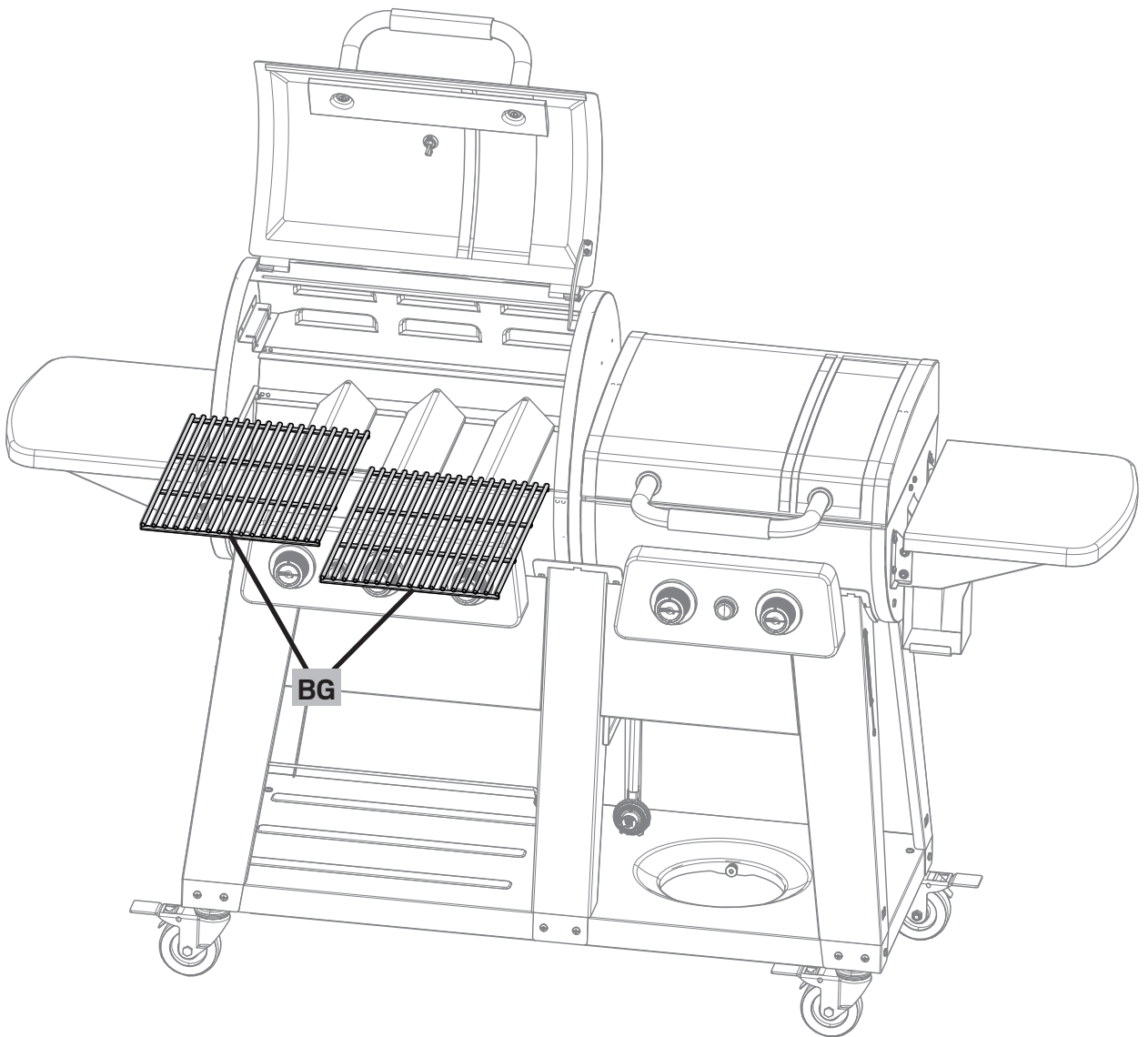
# ASSEMBLY INSTRUCTIONS

24



# ASSEMBLY INSTRUCTIONS

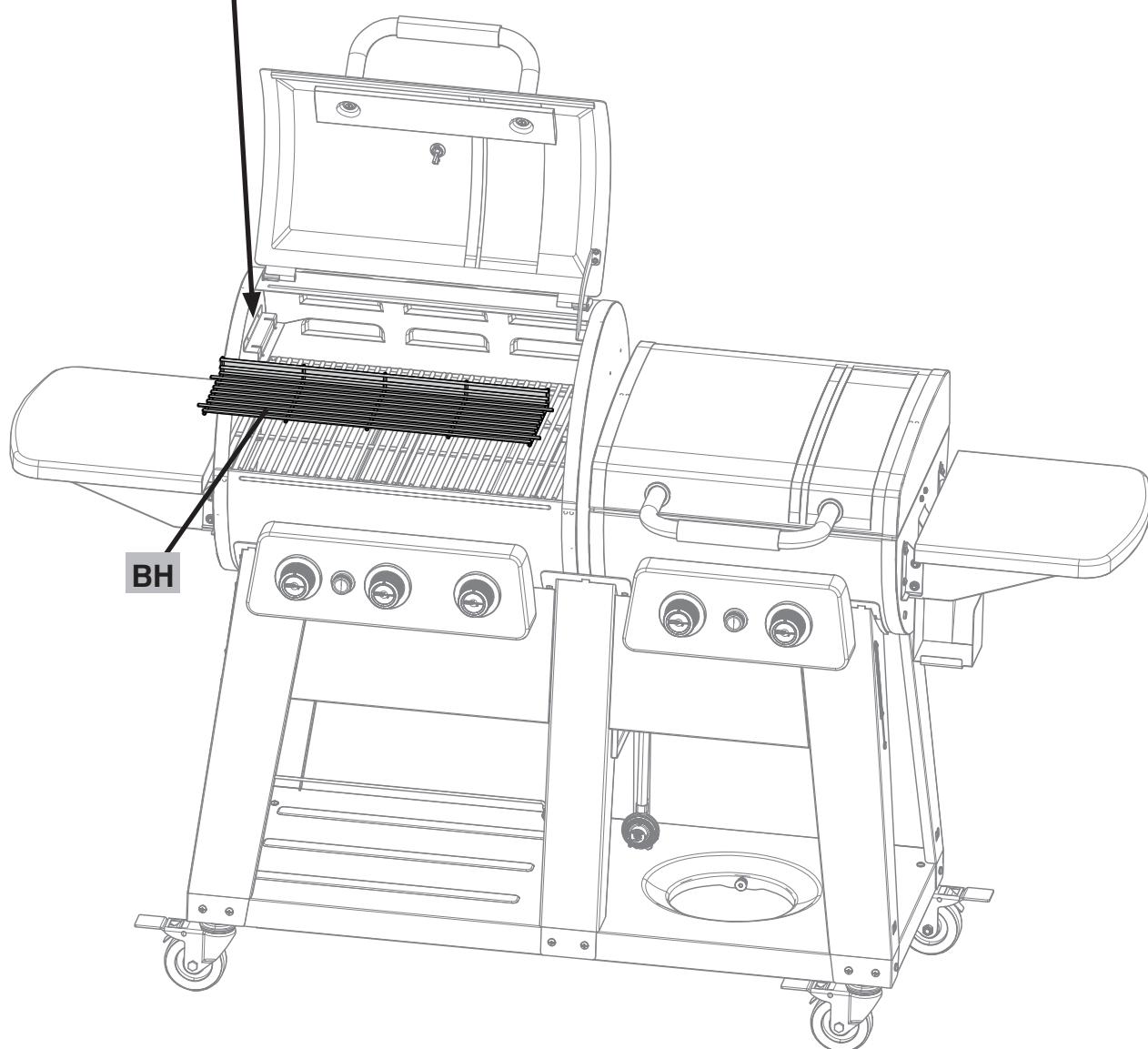
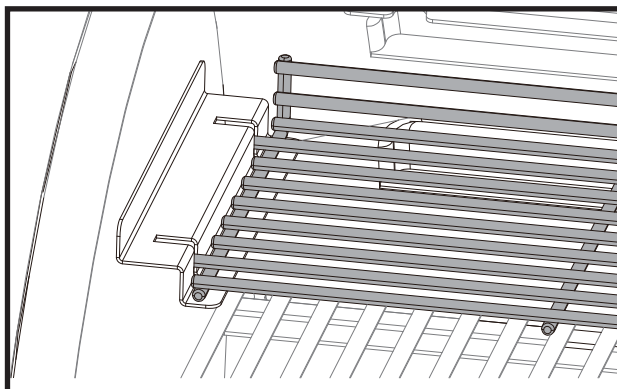
25





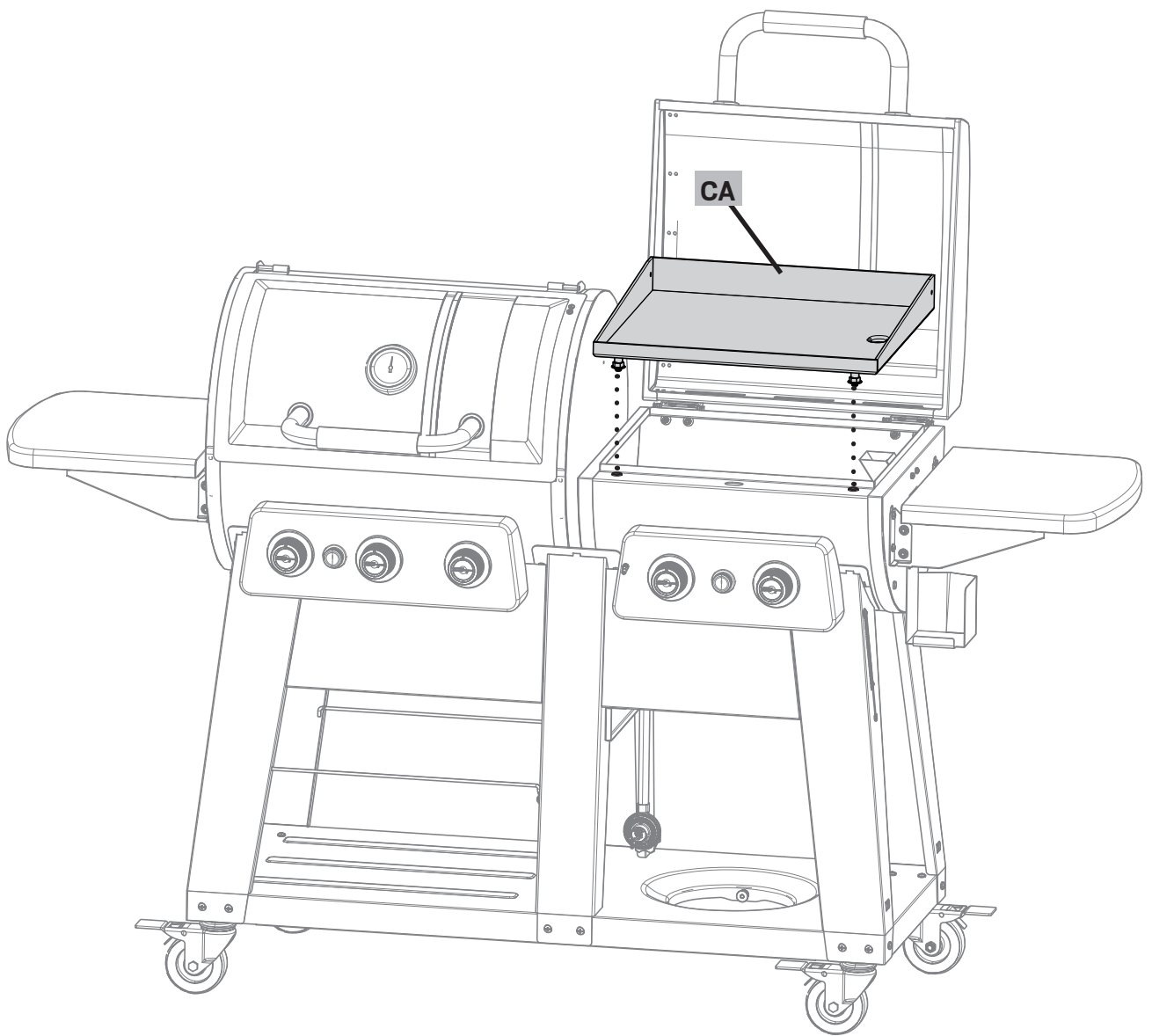
## ASSEMBLY INSTRUCTIONS

26



# ASSEMBLY INSTRUCTIONS

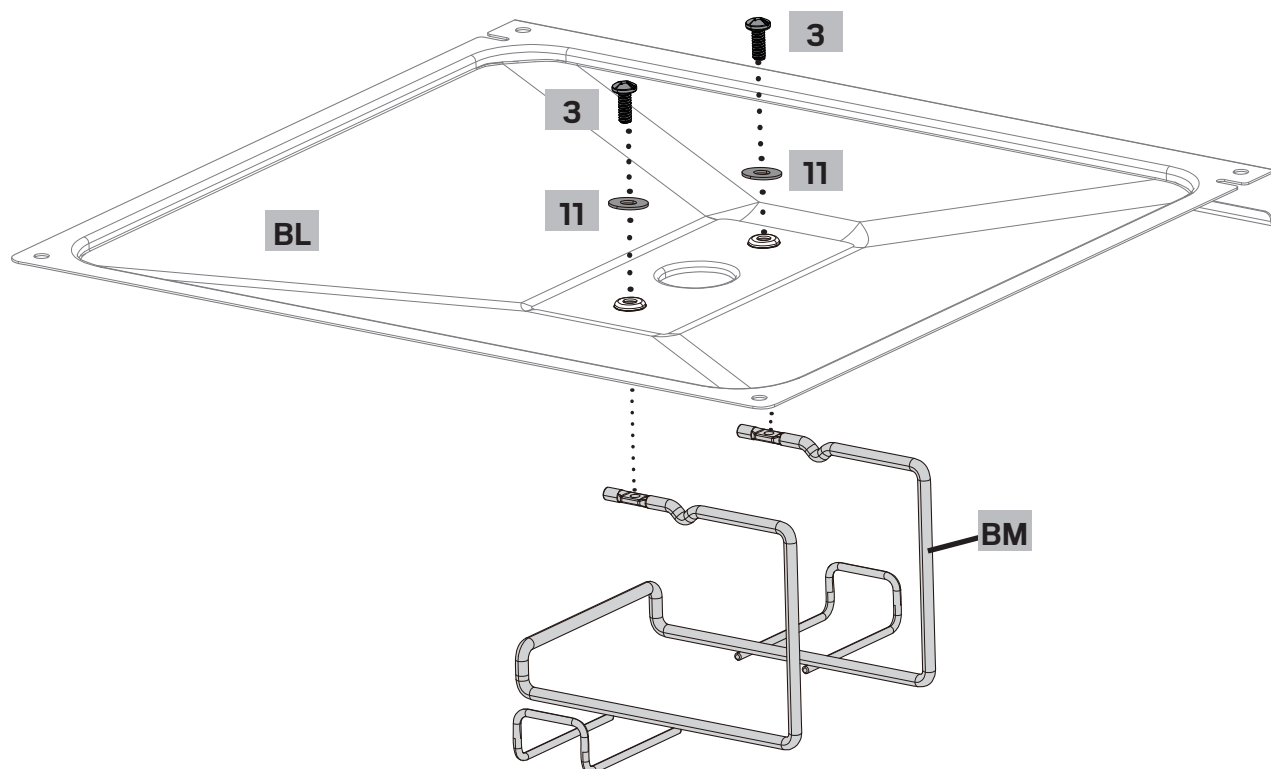
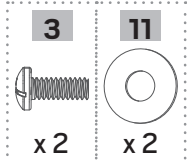
27



## ASSEMBLY INSTRUCTIONS

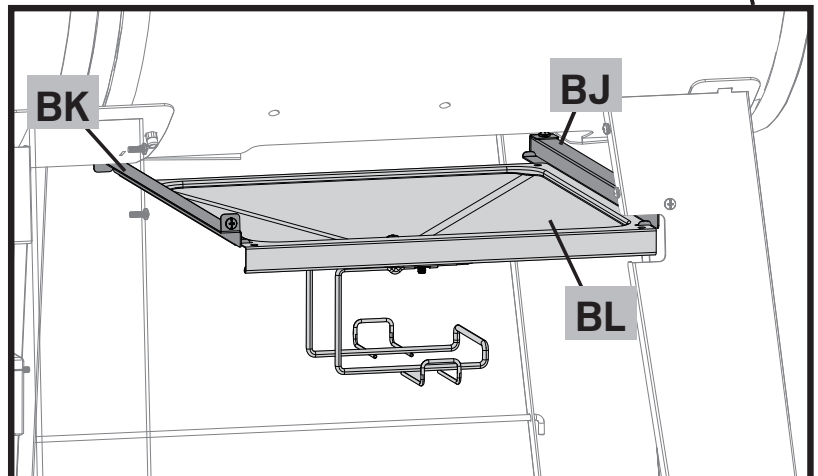
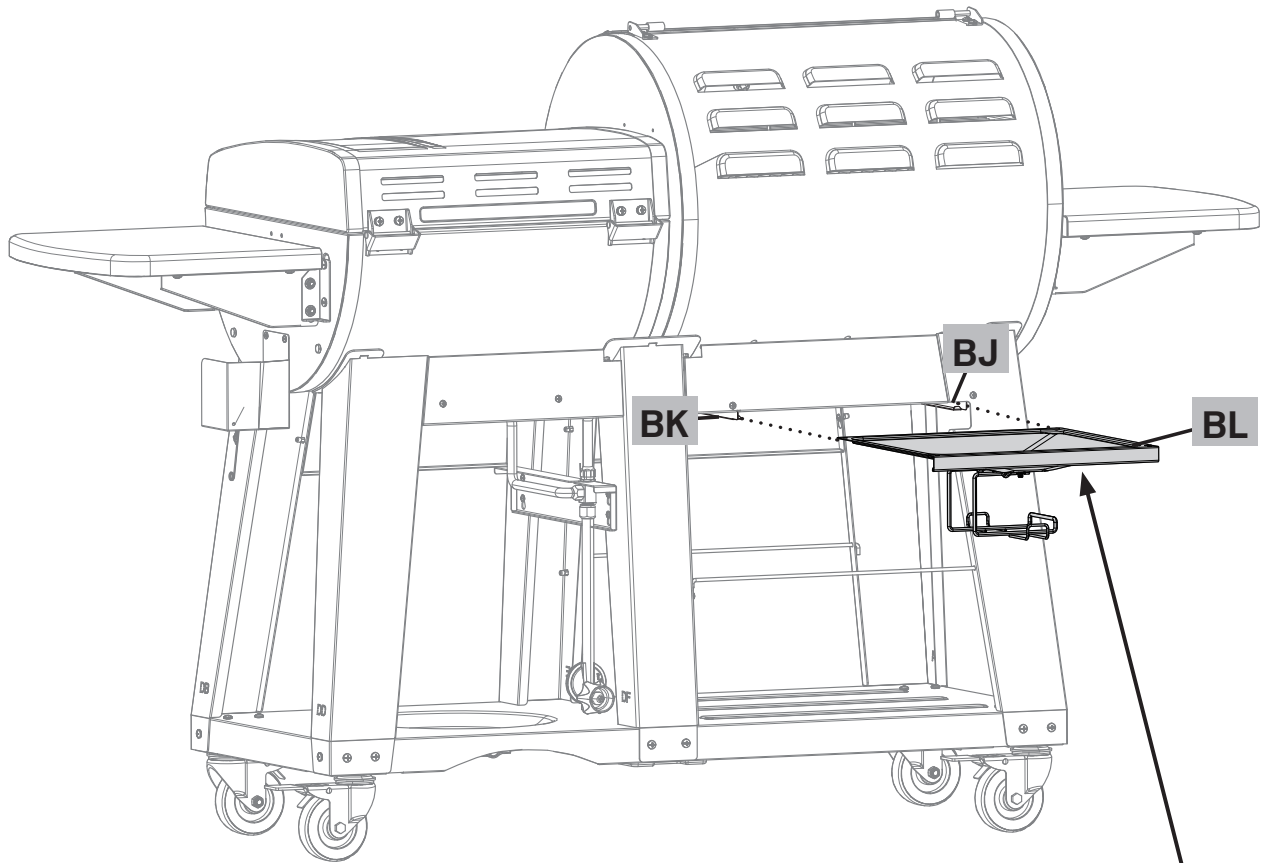
28A

You will need



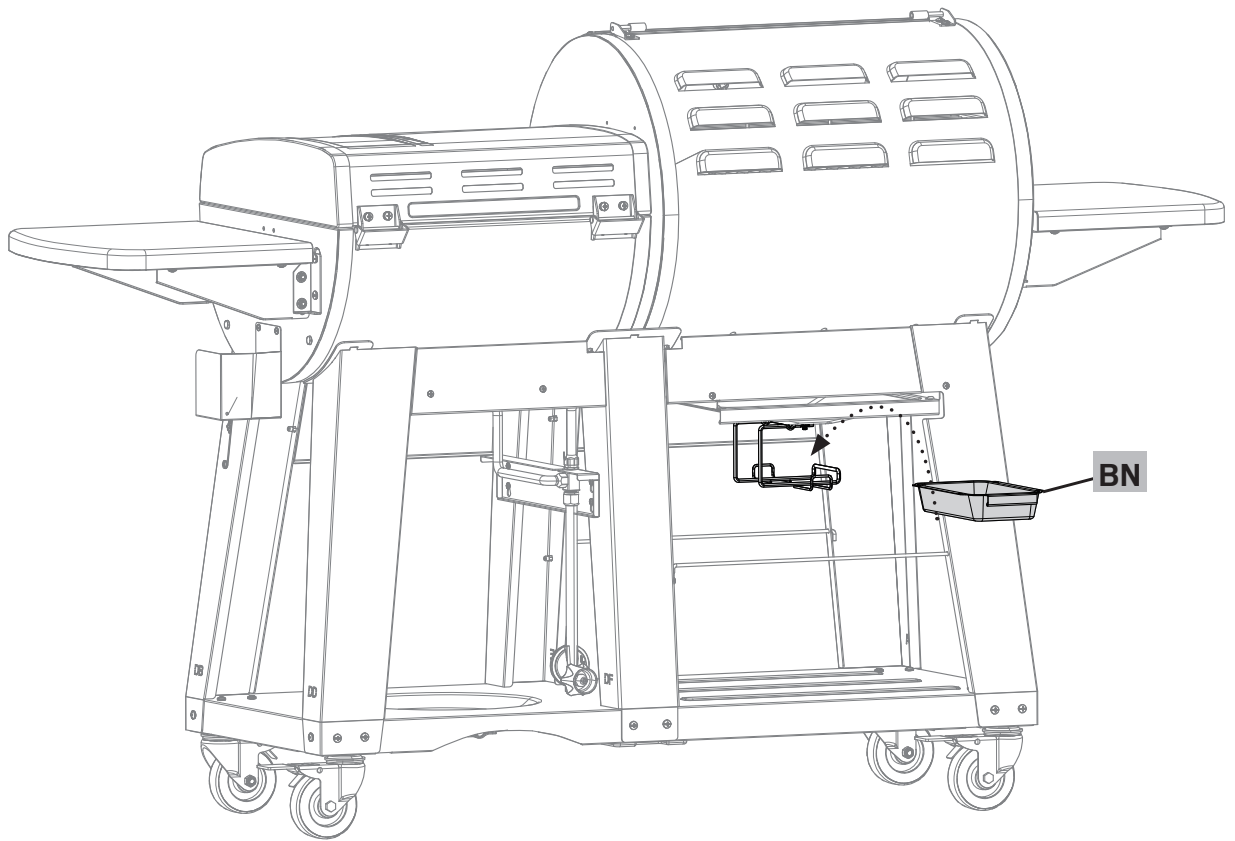
# ASSEMBLY INSTRUCTIONS

28B



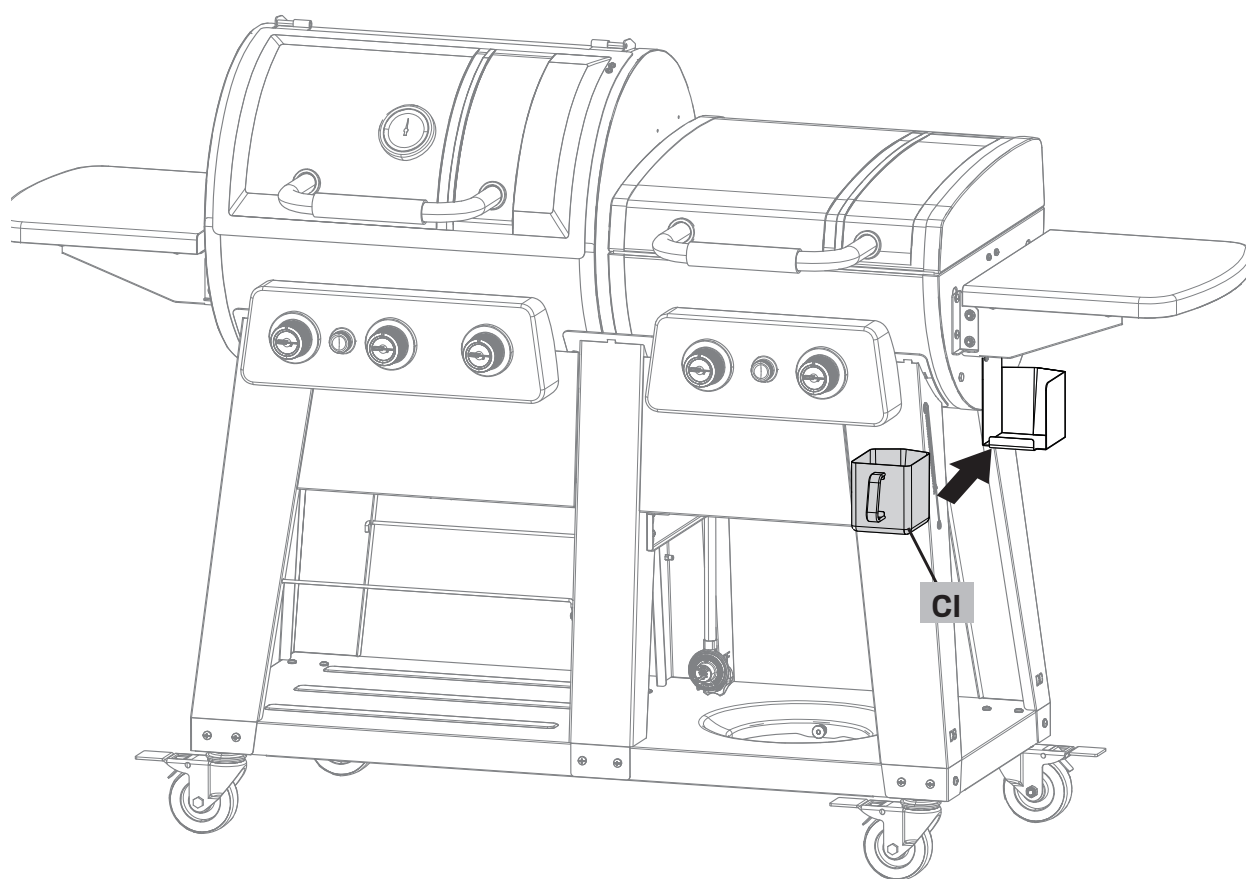
# ASSEMBLY INSTRUCTIONS

28C



## ASSEMBLY INSTRUCTIONS

29



# ASSEMBLY INSTRUCTIONS

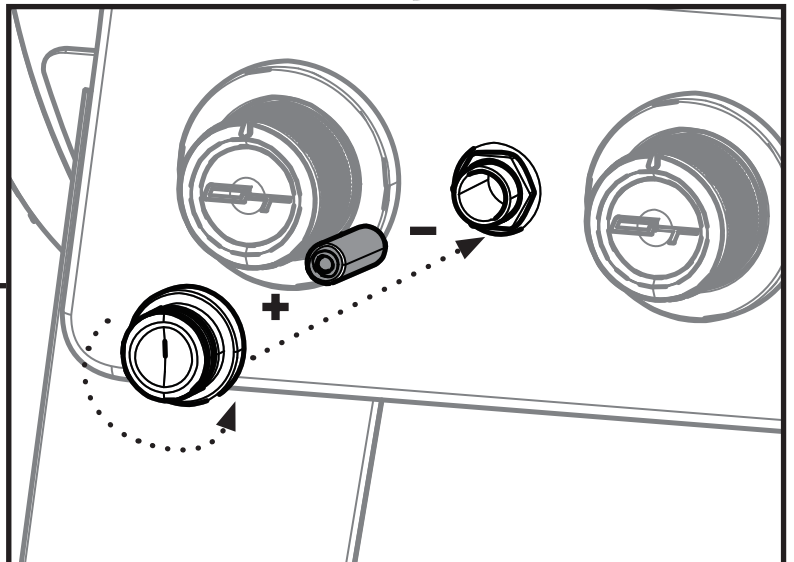
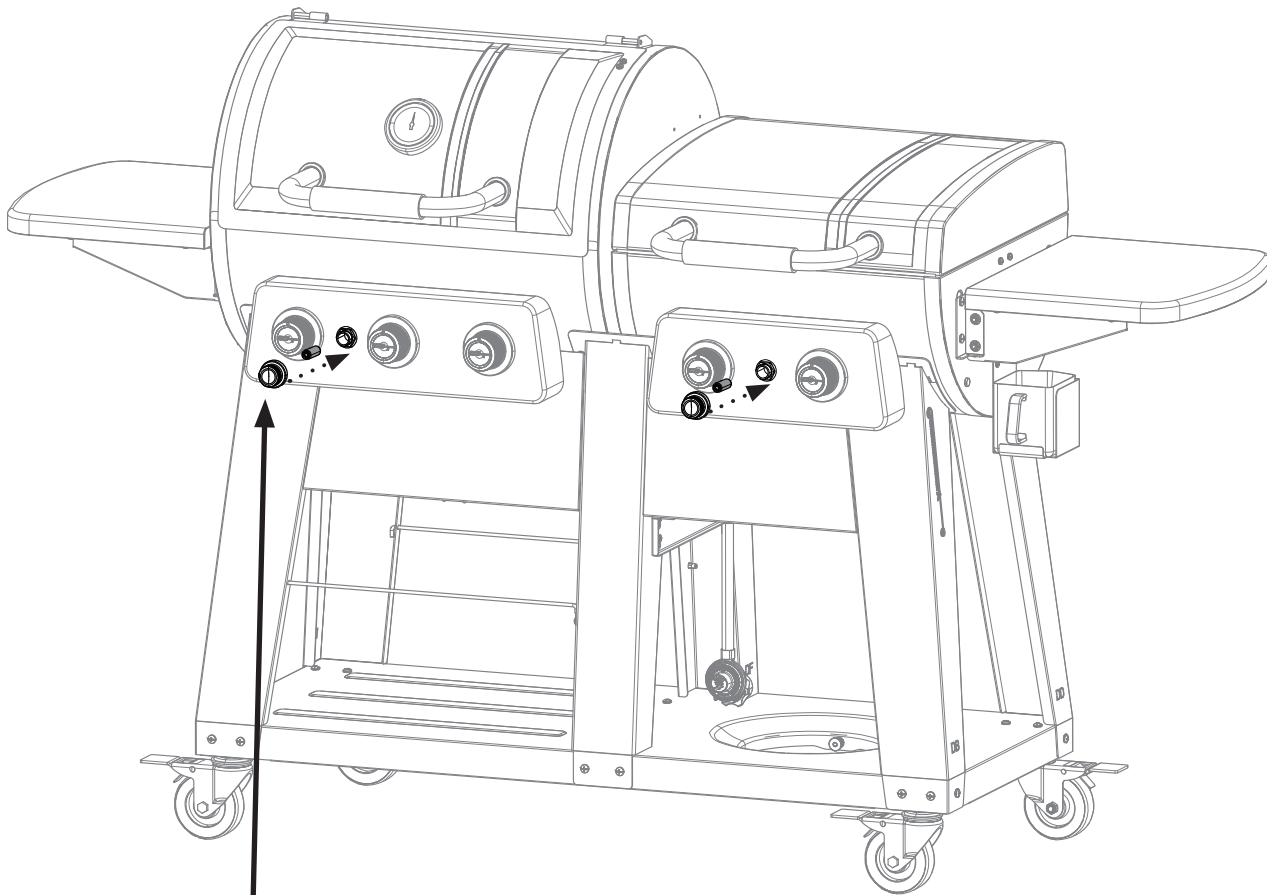
30

You will need

13



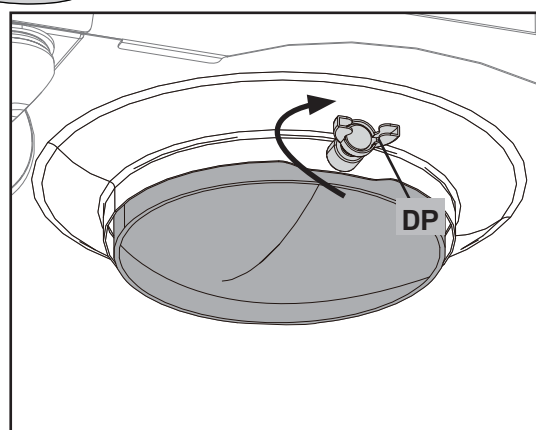
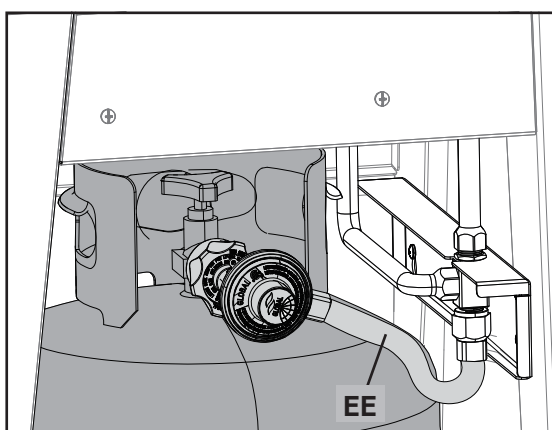
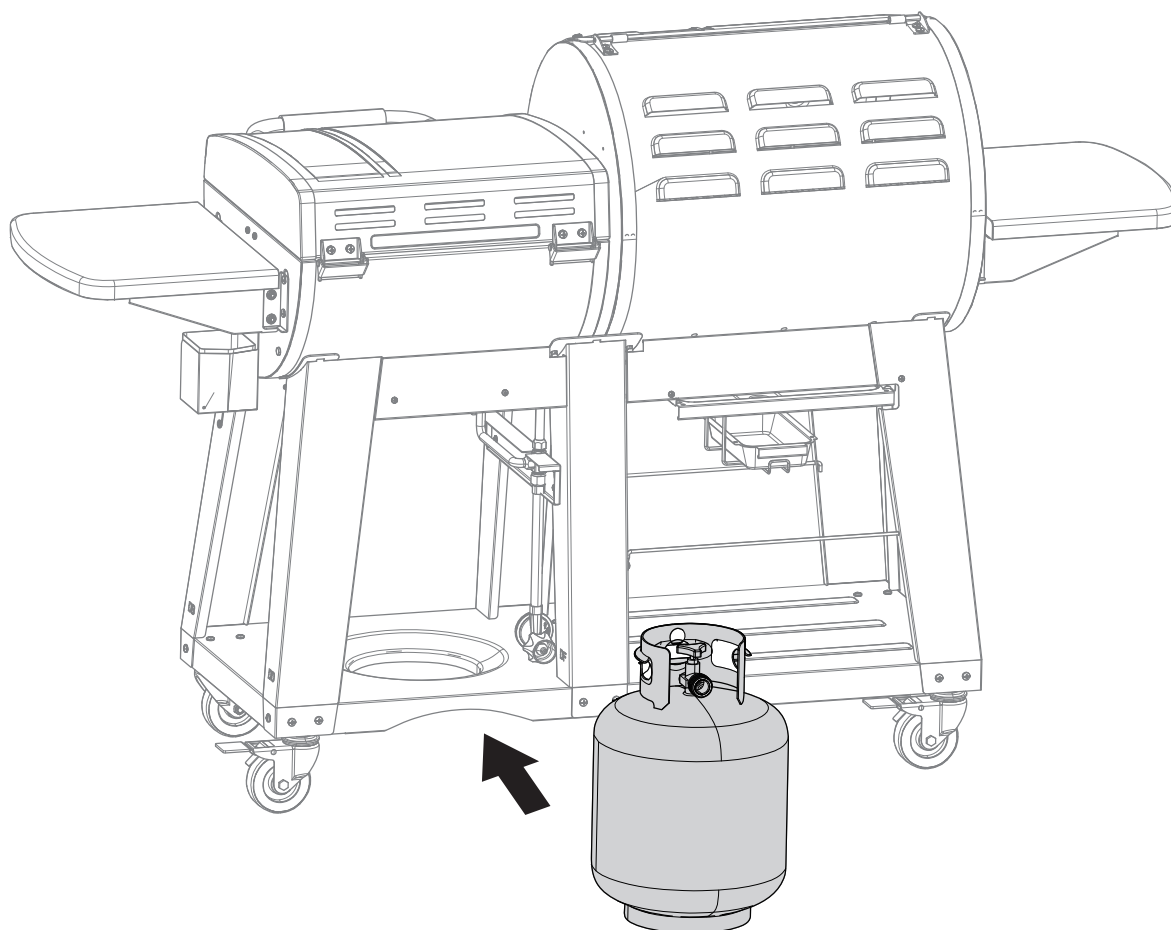
x 2



## ASSEMBLY INSTRUCTIONS

31

Back View



**▲ ATTENTION ▲**

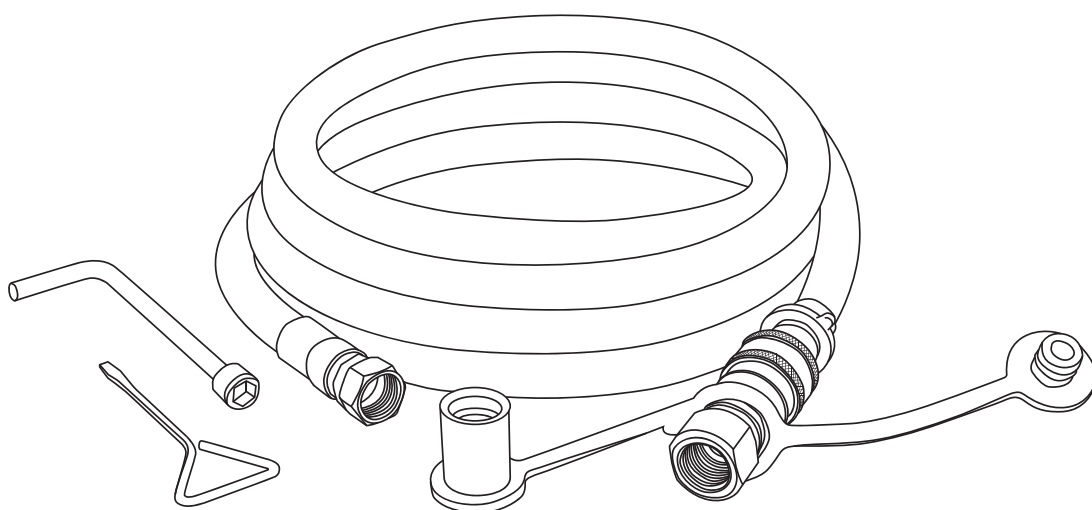
- FOR YOUR SAFETY, DO NOT ATTEMPT TO LIGHT THIS BARBECUE UNTIL YOU HAVE REVIEWED PAGES 4-8 OF THE MASTER CHEF® SAFETY AND CARE MANUAL.
- ALL SAFETY AND LEAK TESTS MUST BE PERFORMED BY THE END USER, PRIOR TO LIGHTING THIS BARBECUE.
- DO NOT STORE EXTRA PROPANE TANKS WITHIN BARBECUE CART.
- IF THE BURNER DOES NOT IGNITE, ADJUST THE POSITION OF THE ELECTRODE SET OR ELECTRONIC IGNITION WIRE.



## CONVERT TO NATURAL GAS

### HOW TO CONVERT YOUR BARBECUE TO NATURAL GAS

This barbecue was sold PROPANE READY. If you wish to run your barbecue on natural gas, you must purchase the Natural Gas Conversion Kit sold at Canadian Tire, product #085-2261-4.



#### IMPORTANT

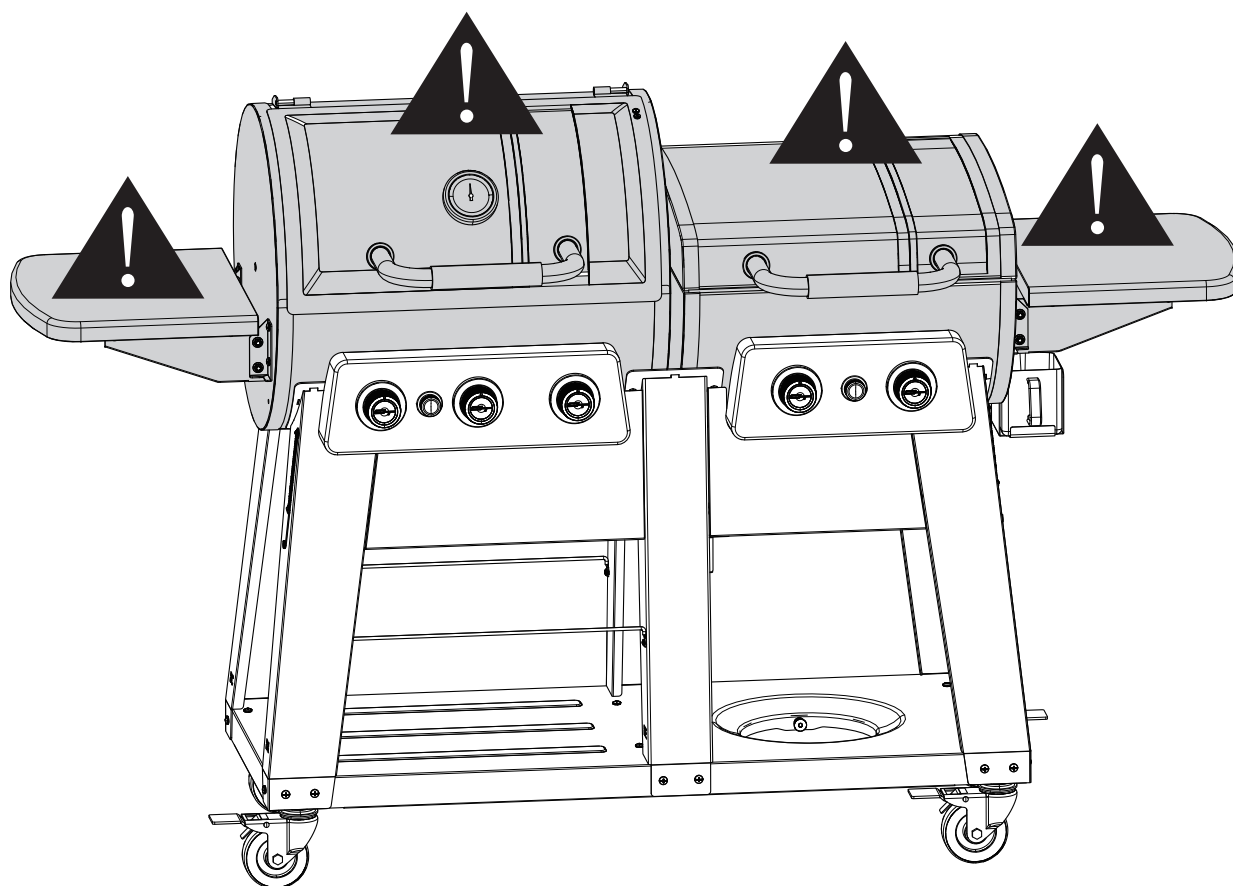
Make sure the conversion kit packaging has the following symbol on it:



**CONVERTIBLE**  
**VALVE SYSTEM™**

## WARNING

### ! WARNING HOT SURFACES !



### CAUTION!

- AVOID BURNS!
- DO NOT TOUCH WHEN BARBECUE IS IN USE!
- EXTREMELY HOT SURFACE!
- SHADED AREAS BECOME EXTREMELY HOT WHEN IN USE!
- DO NOT PLACE TOOLS OR TRAY TOO CLOSE TO THE GRIDDLE AS THEY WILL BECOME SCALDING HOT, CAUSING BURNS.



MASTER  
**Chef**<sup>TM</sup>

Visit [www.masterchefbbqs.com](http://www.masterchefbbqs.com)  
to complete product registration

Master Chef® Customer Service  
1-855-453-2150

Trileaf Distribution Trifeuil  
Toronto, Ontario M4S 2B8