

MASTER
Chef™



GRILL TURISMO™ 5-BURNER CONVERTIBLE BARBECUE

Assembly Manual

085-3137-6 / G45323

1 YEAR LIMITED WARRANTY

READ AND SAVE MANUAL FOR FUTURE REFERENCE.

Assemble your grill immediately.

Missing or damaged parts claims must be submitted within 30 days of purchase date.

**For product inquiries, parts, warranty and troubleshooting support,
please call 1-855-453-2150.**

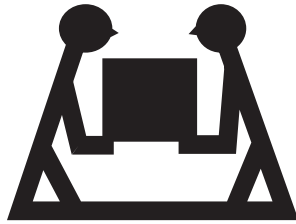


ANSI Z21.58-2015 / CSA 1.6-2015
Outdoor Cooking Gas Appliances.



ANSI Z21.58-2015 / CSA 1.6-2015
Outdoor Cooking Gas Appliances.

Manual Revision #: 09112020 JC



HEAVY ARTICLE NEEDS 2 TO LIFT

THIS MANUAL MUST REMAIN WITH THE PRODUCT AT ALL TIMES

To ORDER non-warranty replacement parts or accessories, or to register your warranty, please visit us on the web at www.masterchefbarbecue.com

⚠ CAUTION

Sharp edges. Wear gloves when assembling your grill.

⚠ CAUTION

Read and follow all safety statements, assembly instructions, use and care directions before attempting to assemble and cook.

⚠ INSTALLER OR ASSEMBLER/CONSUMER

This manual should be kept with the barbecue at all times.

⚠ WARNING

Failure to follow all of the Manufacturer's instructions could result in hazardous fires, explosions, property damage, serious personal injury or even death.

Follow all leak check procedures carefully prior to operation of barbecue, even if grill was dealer assembled. Do not try to light this barbecue without reading the Lighting Instructions section of this manual.

⚠ DANGER

1. If you smell Gas:
 - a. Shut off gas to the appliance.
 - b. Extinguish any open flame.
 - c. Open lid.
 - d. If odour continues, keep away from the appliance and immediately call your gas supplier or your fire department.
 2. Requires two people to complete the assembly process.
 3. Beware of sharp edges.
-

⚠ WARNING

1. Do not store or use gasoline or other flammable liquids or vapours in the vicinity of this or any other appliance.
 2. An LP cylinder not connected for use shall not be stored in the vicinity of this or any other appliance.
-

⚠ WARNING

IN DIRECT SUNLIGHT, AND IN OPERATION, YOUR BARBECUE'S STAINLESS STEEL AND PAINTED STEEL PARTS CAN BECOME VERY HOT.

THIS BARBECUE IS FOR OUTDOOR USE ONLY.

CONTACT CALL CENTRE IF ANY PARTS ARE MISSING.

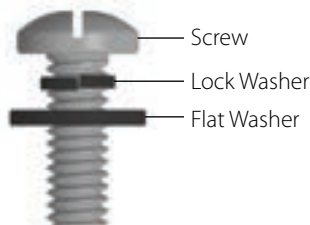
1-855-453-2150

HARDWARE PACK

TOOLS NEEDED FOR ASSEMBLY



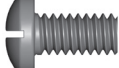



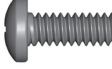



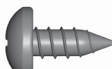





- #2 Star-head screwdriver (long and short)
- ¼" Slotted screwdriver (long and short)
- Adjustable wrench
- Pliers

For correct hardware assembly, always position the lock washer between the screw and the flat washer.



KEY #	DESCRIPTION	PART NUMBER	QUANTITY
1	1/4" - 20 UNC x 38 Screw	20120-13038-250	8
2	1/4" - 20 UNC x 18 Screw	20120-13018-250	8
3	1/4" - 20 UNC x 13 Screw	20120-13013-250	6
4	1/4" - 20 UNC Nut	30220-13000-250	4
5	φ7 Lock Washer	41400-07000-250	18
6	φ7 Washer	40300-07000-250	22
7	NO.10 - 24 UNC x 10 Screw	20124-10010-250	4
8	φ5 Lock Washer	41400-05000-250	4
9	φ5 Washer	40300-05000-250	6
10	M4 Wing Nut	33301-04000-032	1
11	ST4.2 x 10 Tapping Screw	22500-42010-137	6
12	Rubberized Washer	G501-0054-9100	4
13	Control Knob	G453-0093-9000	1
14	Castor Pin	G350-0026-9000	1
15	Venturi Clip, Side Burner	G405-0019-9200	1
16	AA Battery	G610-0028-9100	1

⚠ Caution:
Sheet metal can cause injury. Wear gloves when installing the grill.

<p>1</p>  <p>1/4" - 20 UNC x 38 Screw X 8</p>	<p>2</p>  <p>1/4" - 20 UNC x 18 Screw X 8</p>	<p>3</p>  <p>1/4" - 20 UNC x 13 Screw X 6</p>
<p>4</p>  <p>1/4" - 20 UNC Nut X 4</p>	<p>5</p>  <p>φ7 Lock Washer X 18</p>	<p>6</p>  <p>φ7 Washer X 22</p>
<p>7</p>  <p>NO.10 - 24 UNC x 10 Screw X 4</p>	<p>8</p>  <p>φ5 Lock Washer X 4</p>	<p>9</p>  <p>φ5 Washer X 6</p>
<p>10</p>  <p>M4 Wing Nut X 1</p>	<p>11</p>  <p>ST4.2 x 10 Tapping Screw X 6</p>	<p>12</p>  <p>Rubberized Washer X 4</p>
<p>13</p>  <p>Control Knob X 1</p>	<p>14</p>  <p>Castor Pin X 1</p>	<p>15</p>  <p>Venturi Clip, Side Burner X 1</p>
<p>16</p>  <p>AA Battery X 1</p>		

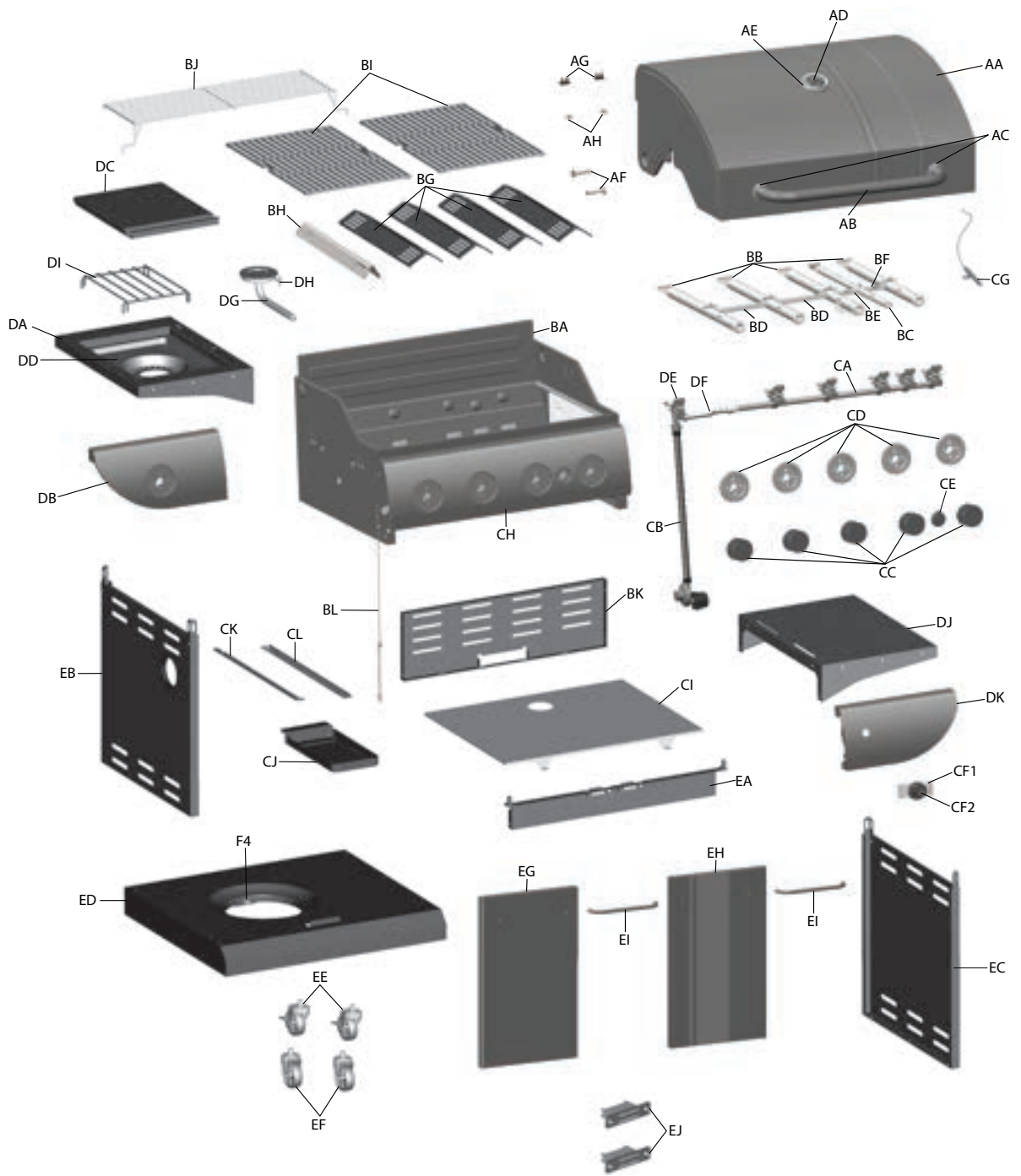
BEFORE ASSEMBLING THIS BARBECUE, READ THE INSTRUCTIONS CAREFULLY.

Assemble the barbecue on a flat, clean surface. The grill is heavy, two people are recommended to complete assembly.

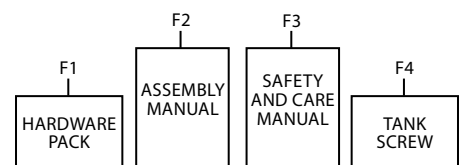
PARTS LIST FOR 085-3137-6 / G45323

KEY #	QUANTITY	DESCRIPTION	PART NO.
AA	1	Top Lid Assembly	G453-8300-01
AB	1	Lid Handle	G453-0085-01
AC	2	Lid Handle Bezel - orange	G453-00A7-01O
AD	1	Thermometer	G364-0004-02
AE	1	Thermometer Bezel - orange	G453-00A6-01O
AF	2	Screw for Top Lid	G466-0007-03
AG	2	Lid Bumper, Front	G508-0063-01
AH	2	Lid Bumper, Rear	G303-0038-01
BA	1	Burner Box Assembly	G453-8700-01
BB	4	Main Burner	G517-7300-01
BC	1	BOOST Burner	G453-C200-01
BD	2	Carryover Assembly, Main Burner	G614-0095-01
BE	1	Carryover Assembly A, Boost Burner	G453-0096-01
BF	1	Carryover Assembly B, Boost Burner	G453-0097-01
BG	4	Flame Tamer, Main Burner	G453-0072-01
BH	1	Flame Tamer, Boost Burner	G453-000D-01
BI	2	Cooking Grate	G453-0019-01
BJ	1	Warming Rack	G453-0018-01
BK	1	Upper Back Panel	G453-0010-02
BL	1	Match Holder	G501-0068-01
CA	1	Manifold Assembly	G453-B900-01
CB	1	Regulator	G606-0008-01
CC	5	Control Knob, Main Burner	G453-0093-01
CD	5	Control Knob Bezel - orange	G453-0092-01O
CE	1	Control Knob, Boost Burner	G453-0094-01
CF1	1	Electronic Ignition Assembly	G453-0098-01
CF2	1	Ignition Button	G453-0098-02
CG	1	Electrode Set, Main Burner	G515-0067-01
CH	1	Control Panel	G453-0091-01
CI	1	Heat Shield	G453-0011-01
CJ	1	Grease Tray	G350-4400-01
CK	1	Left Track, Grease Tray	G453-0012-01
CL	1	Right Track, Grease Tray	G453-0013-01
DA	1	Side Burner Shelf Table, Left	G453-0600-02
DB	1	Side Burner Shelf Fascia, Left	G453-000F-01
DC	1	Side Burner Lid	G501-000E-01
DD	1	Side Burner Drip Pan	G515-0083-01
DE	1	Side Burner Valve	G453-0089-01
DF	1	Side Burner Metal Hose	G608-0039-01
DG	1	Side Burner	G453-3400-01
DH	1	Side Burner Electrode Set	G515-0039-01
DI	1	Side Burner Cooking Grate	G501-0077-01
DJ	1	Side Shelf Table, Right	G453-0700-02
DK	1	Side Shelf Fascia, Right	G453-0074-02
EA	1	Door Support Rail	G453-C400-01
EB	1	Cart Side Panel, Left	G453-0300-02
EC	1	Cart Side Panel, Right	G453-0400-02
ED	1	Bottom Shelf	G453-0500-03
EE	2	Locking Castor	G350-0023-01
EF	2	Castor	G350-0024-01
EG	1	Left Door Assembly	G453-C500-01
EH	1	Right Door Assembly	G453-C600-01
EI	2	Door Handle	G453-0099-01
EJ	2	Door Magnet Assembly	G501-0016-01
F1	1	Hardware Pack	G453-B023-03
F2	1	Assembly Instructions	G453-M023-01
F3	1	Safe Use and Care Manual	G453-M023-02
F4	1	Tank Screw	G505-0047-01
F5	1	Custom Bezel Kit - Stainless	G453-A023-01

EXPLODED DIAGRAM FOR 085-3137-6 / G45323

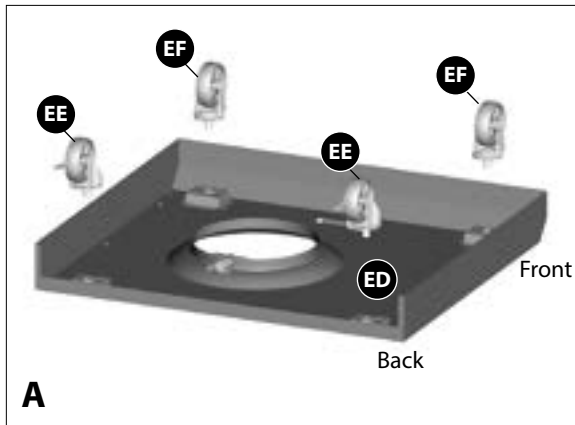


F5 - Custom Bezel Kit		
Quantity	Description	Part No.
2	Lid Handle Bezel - Stainless	G453-00A7-01S
1	Thermometer Bezel - Stainless	G453-00A6-01S
5	Control Knob Bezel - Stainless	G453-0092-01S

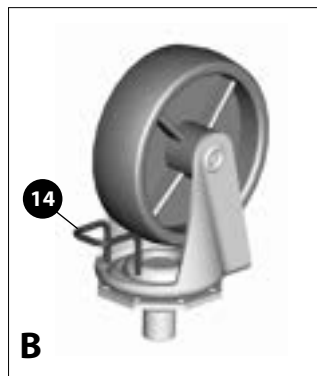


ASSEMBLY INSTRUCTIONS

1



A
Upside down view



B
Close Up

Note: Two people required for all assembly steps.

Separate the 2 different types of castors: 2 Locking Castors (EE) and 2 Regular Castors (EF).

Note: Regular Castors (EF) need to be assembled to the front of the Bottom Shelf (ED), and Locking Castors (EE) need to be assembled to the back of the Bottom Shelf (ED), as shown in image A.

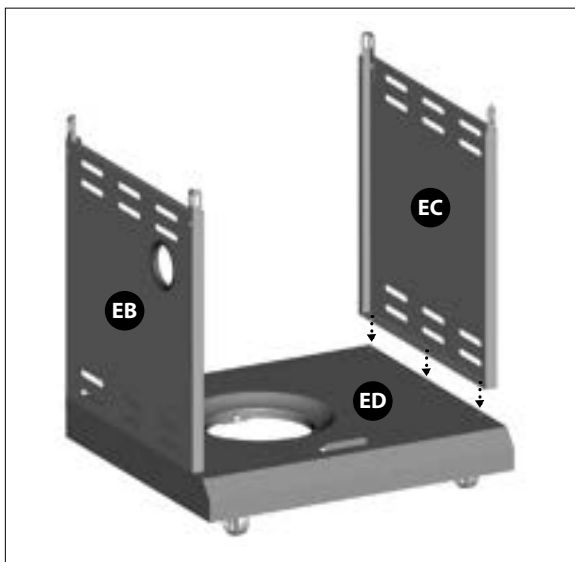
Attach the Regular Castor (EF) to the front of the Bottom Shelf (ED), and use the Castor Pin (#14) to secure and tighten.

Repeat for remaining 3 castors (EE & EF).

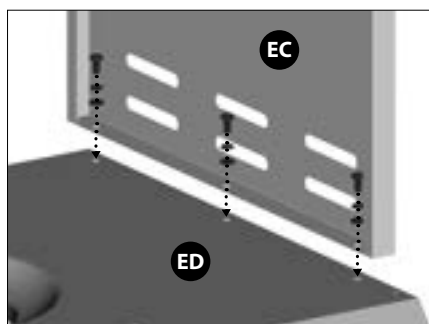
YOU WILL NEED:



2



Front view

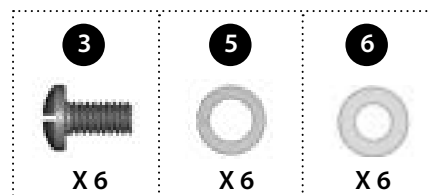


Close Up

Ensure that the Locking Castors (EE) are firmly locked in the "ON" position before continuing.

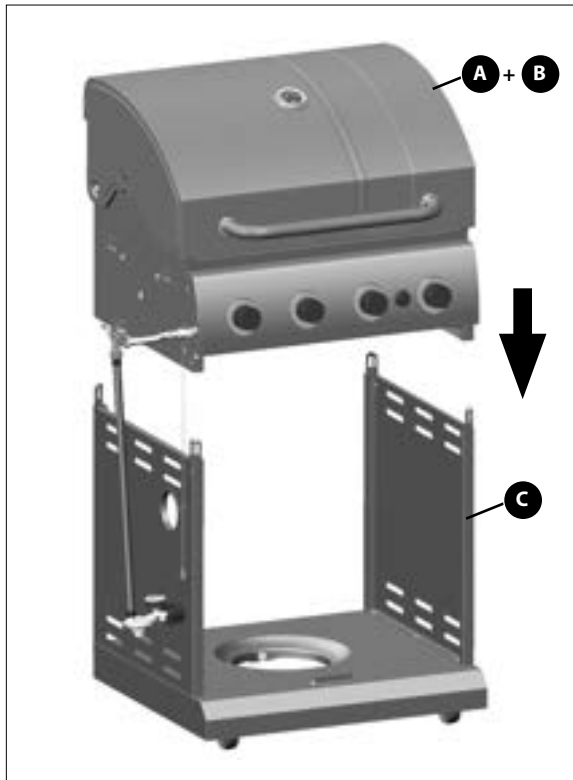
Assemble the Left Side Panel (EB) and the Right Side Panel (EC), to the Bottom Shelf (ED).

YOU WILL NEED:



ASSEMBLY INSTRUCTIONS

3

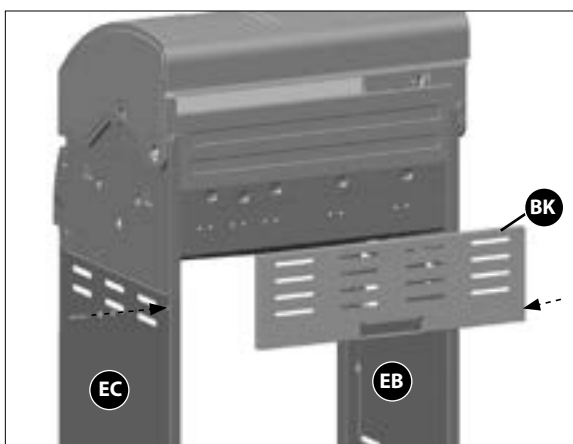


Front View

THIS STEP REQUIRES 3 PEOPLE. DO NOT ATTEMPT ALONE. EXTREMELY HEAVY!

Position the Top Lid Assembly and Burner Box Assembly (A & B) onto the Cart Assembly (C), as shown.

4

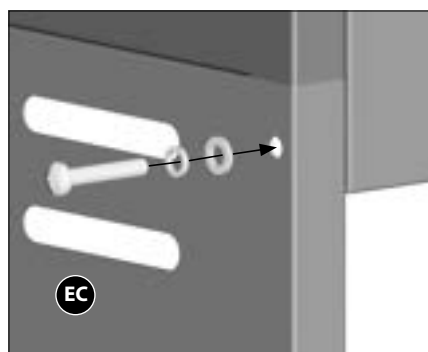
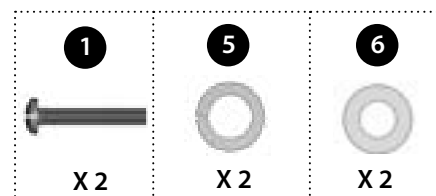


Back View

Attach the Upper Back Panel (BK) to both the Left And Right Side Panels (EB & EC).

Attention: Assembly of the Upper Back Panel (BK) will be completed in Step 6 and 9.

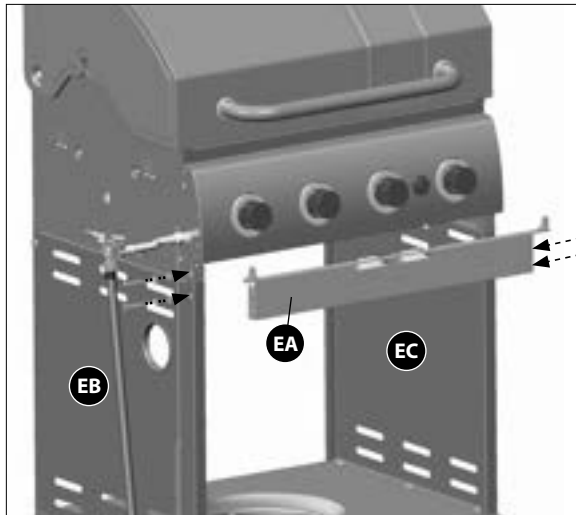
YOU WILL NEED:



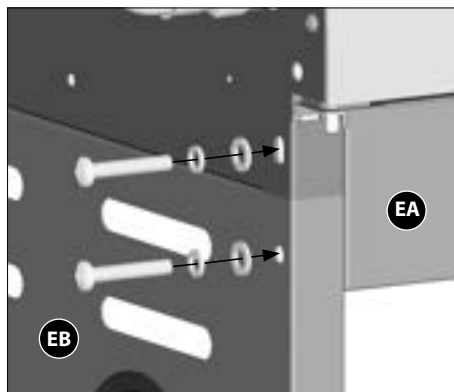
Close Up

ASSEMBLY INSTRUCTIONS

5



Front View

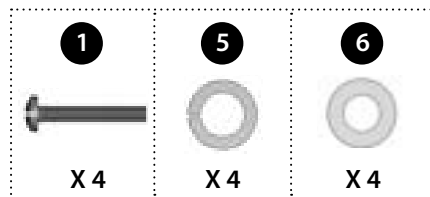


Close Up

Assemble the Door Support Rail (EA) to the Left and Right Upper Side Panels (EB and EC), as shown.

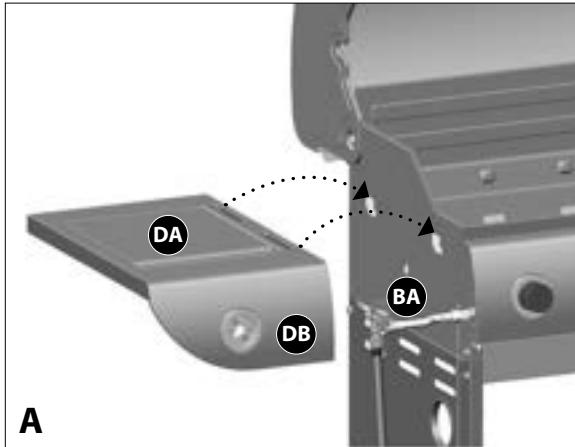
WARNING: This part may have sharp edges. Wear protective gloves when assembling.

YOU WILL NEED:

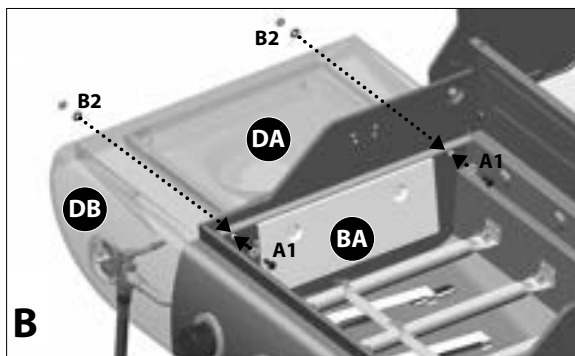


ASSEMBLY INSTRUCTIONS

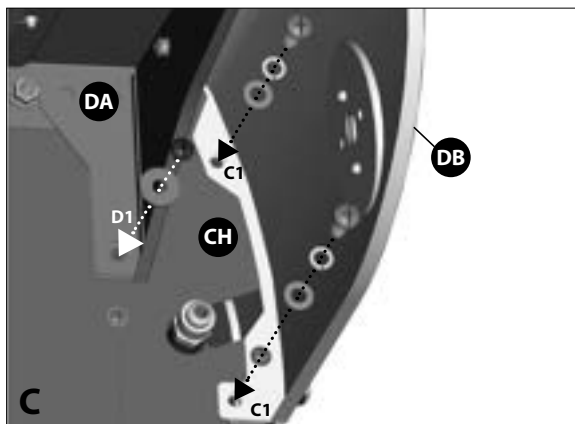
6



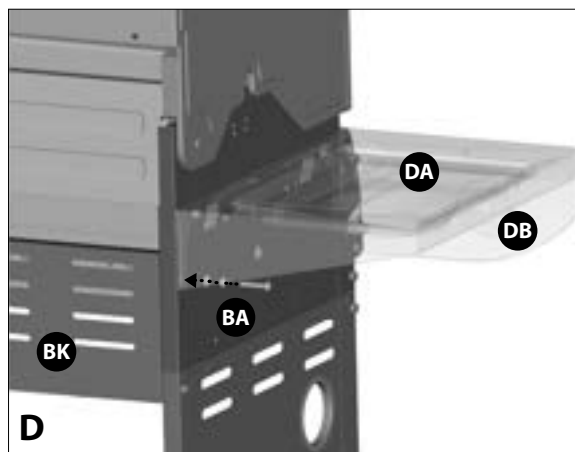
Front, left side view



View inside burner box



Front, Left side view



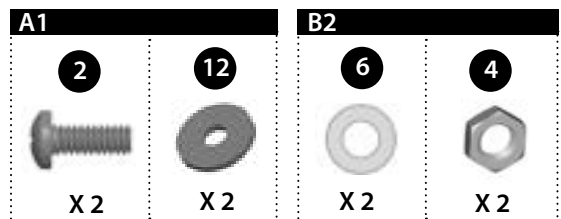
Back, Left side view

LEFT SIDE SHELF ASSEMBLY

TIP: Do not tighten until all hardware is in place.

- Mount the Left Side Burner Side Shelf (DA and DB) onto the two support brackets, located on the left, upper side panel of the Burner Box (BA).
- Assemble the Left Side Burner Side Shelf (DA and DB) to the upper side panel of the Burner Box (BA), by positioning hardware through the interior of the Burner Box (BA), as shown in figure B.

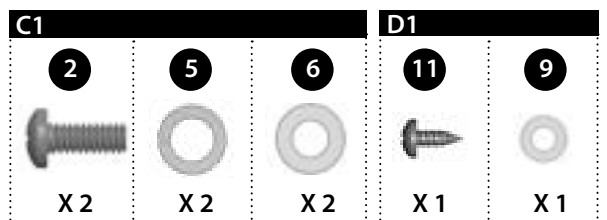
YOU WILL NEED:



TIP: Ensure that the rubber side of the rubberized washer makes contact with the burner box.

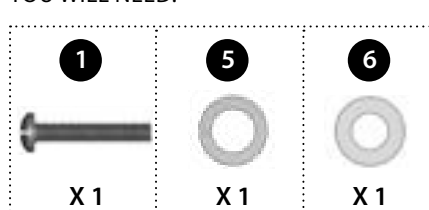
- Assemble the front of the Left Side Burner Side Shelf Assembly (DA and DB) to the Control Panel (CH), as shown in figure C.

YOU WILL NEED:



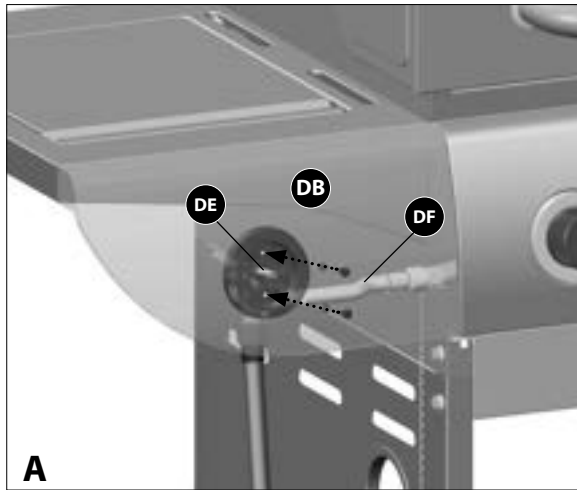
- Complete the Left Side Burner Side Shelf Assembly (DA and DB) by connecting the side shelf, the rear of the Burner Box side panel (BA), and the Upper Back Panel (BK), as shown in figure D.

YOU WILL NEED:



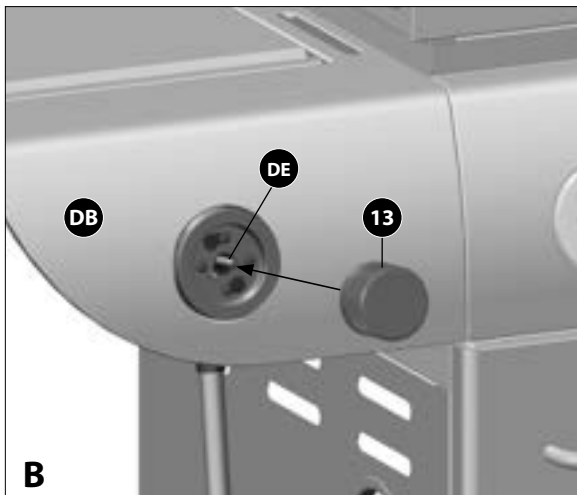
ASSEMBLY INSTRUCTIONS

7



- a. Remove the hardware that is pre-assembled to the Side Burner Valve (DE).

Assemble the Side Burner Valve (DE) to the Left Side Shelf Fascia (DB), using the hardware removed, as shown in figure A.



- b. Assemble the Side Burner Control Knob (#13) to the Side Burner Valve (DE).

YOU WILL NEED:



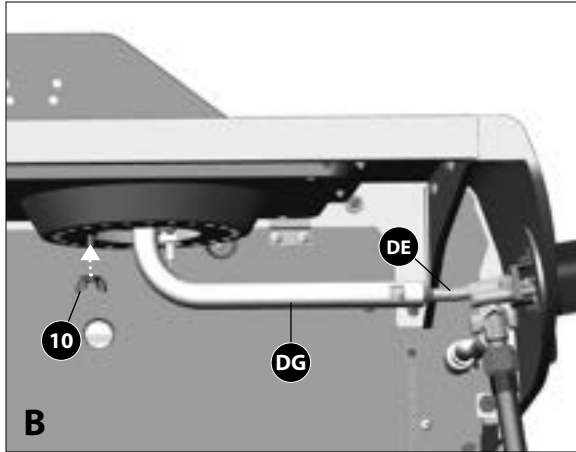
8



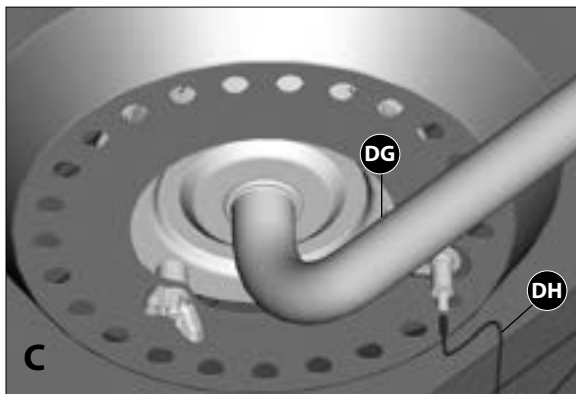
- a. Position the Side Burner (DG) through the opening in the Left Side Burner Drip Pan (DD).

ASSEMBLY INSTRUCTIONS

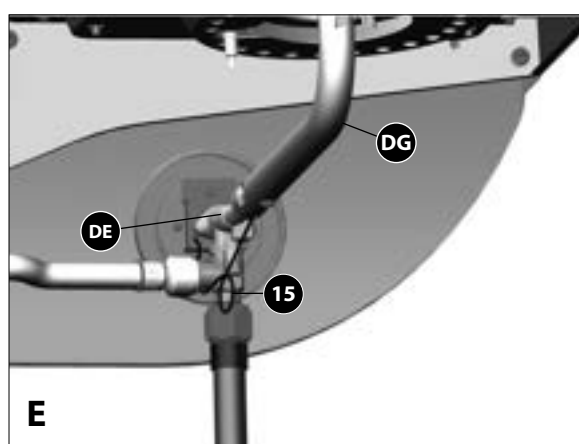
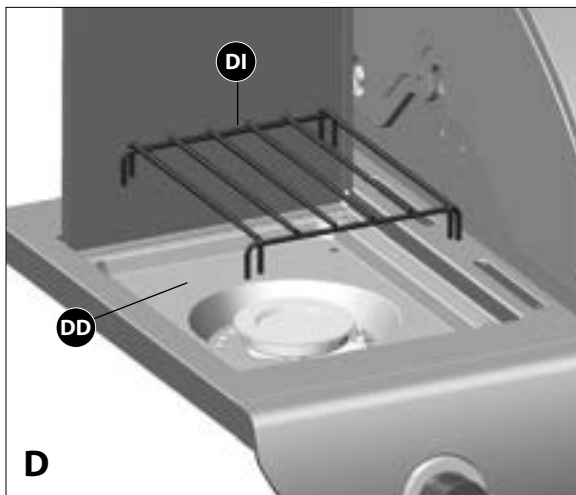
8



Left side view



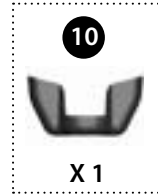
View from underneath left side shelf



View from underneath left side shelf

b. Make sure that the Side Burner (DG) engages the Side Burner Valve (DE). Attach the Wing Nut (#10) to the Side Burner (DG), as shown in figure B.

YOU WILL NEED:



c. Attach the end of the Side Burner Electrode Wire (DH) to the underside of the Side Burner Electrode (DG), as shown. Ensure that the wire is pushed in firmly.

d. Position the Side Burner Cooking Grate (DI) onto the side burner drip pan (DD).

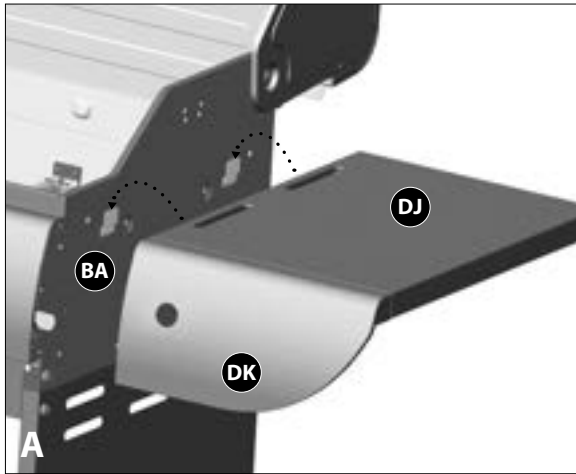
e. Use the Side Burner Venturi Clip (#15) to connect the Side Burner (DG) to the Side Burner Valve (DE).

YOU WILL NEED:

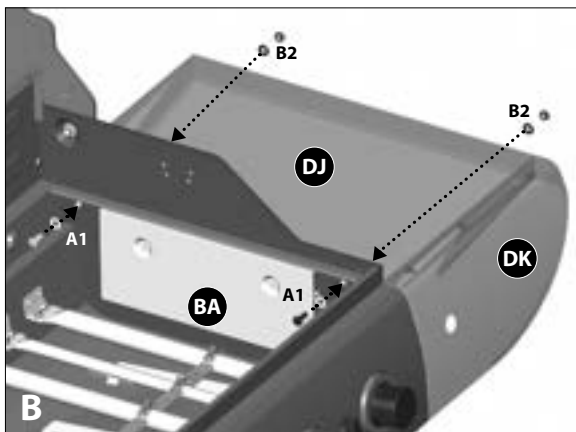


ASSEMBLY INSTRUCTIONS

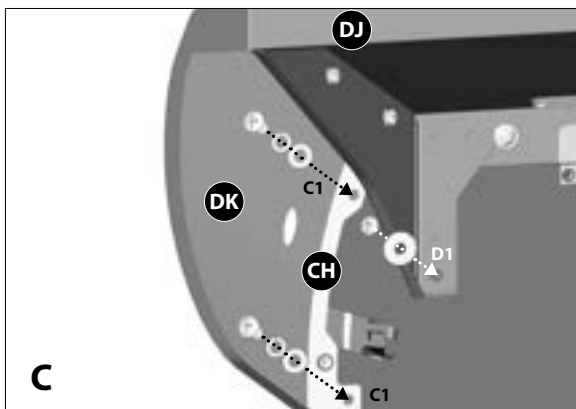
9



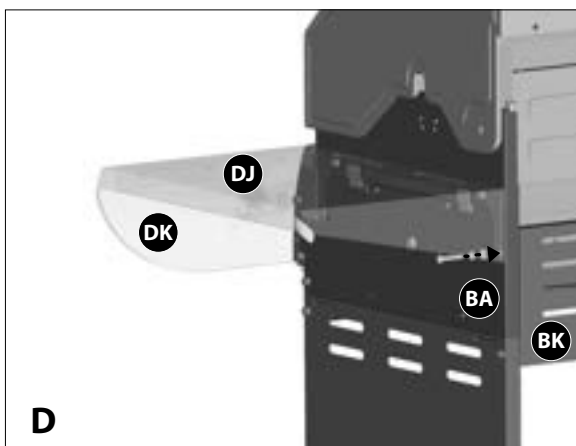
Front, right side view



View inside burner box



View, under right side shelf



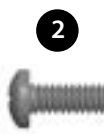



Back, right side view

RIGHT SIDE SHELF ASSEMBLY

TIP: Do not tighten until all hardware is in place.

- Mount the Right Side Shelf (DJ and DK) onto the two support brackets, located on the right, upper side panel of the Burner Box (BA).
- Assemble the Right Side Shelf (DJ and DK) to the upper side panel of the Burner Box (BA), by positioning hardware through the interior of the Burner Box (BA), as shown in figure B.



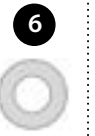


YOU WILL NEED:

A1		B2	
			
X 2	X 2	X 2	X 2

TIP: Ensure that the rubber side of the rubberized washer makes contact with the burner box.




- Assemble the front of the Right Side Shelf (DJ and DK) to the Control Panel (CH), as shown in figure C.

YOU WILL NEED:

C1			D1	
				
X 2	X 2	X 2	X 1	X 1

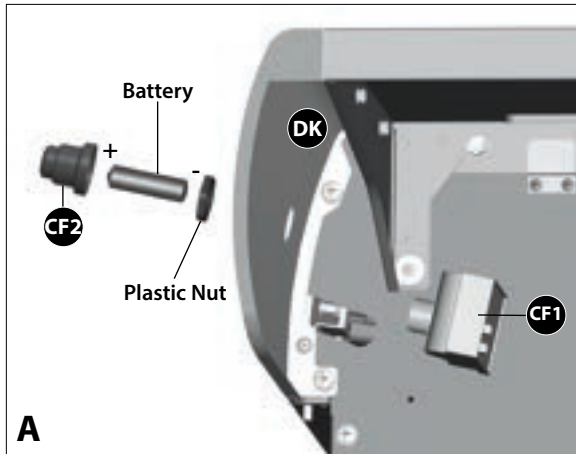
- Complete the Right Side Shelf Assembly (DJ and DK) by connecting the side shelf, the rear of the Burner Box side panel (BA), and the Upper Back Panel (BK), as shown in figure D.

YOU WILL NEED:

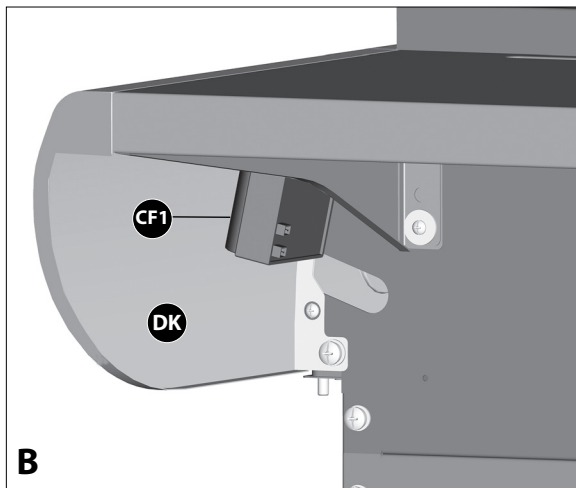
		
X 1	X 1	X 1

ASSEMBLY INSTRUCTIONS

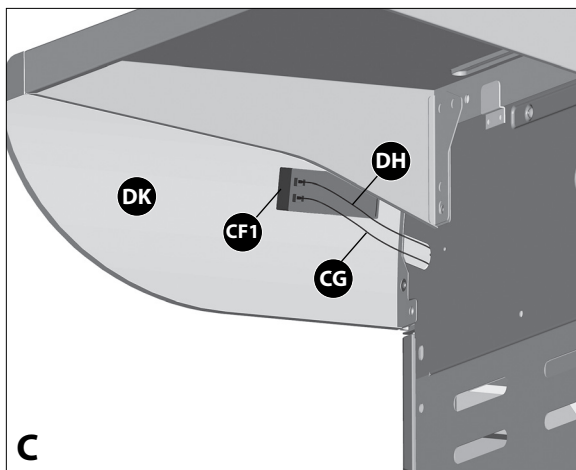
10



Underneath right side shelf



Underneath right side shelf

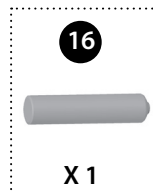


Underneath right side shelf

ELECTRONIC IGNITION ASSEMBLY

- Remove the Ignition Battery Cover (CF2) and the plastic nut from the Electronic Ignition Assembly (CF1).
- Position the Electronic Ignition Assembly (CF1) through the opening in the Right Side Shelf Fascia (DK) and secure using the plastic nut.
- Insert one "AA" battery into the battery compartment (CF1) with the positive end facing outward, as shown. Secure using the Ignition Button (CF2).

YOU WILL NEED:

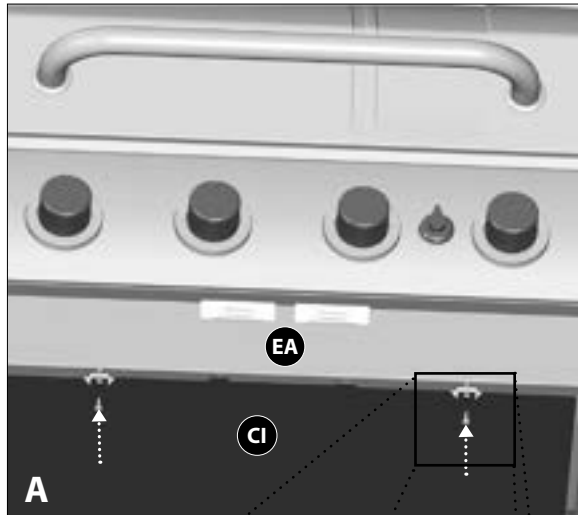


- Insert the Electrode Set, Main Burner Wire (CG) and the Side Burner Electronic Wire (DH) into the Electronic Ignition Assembly (CF1) as shown. Ensure that the wires are pushed in firmly.

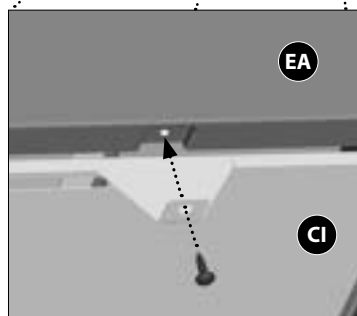
Note: Both wire connectors are the same.

ASSEMBLY INSTRUCTIONS

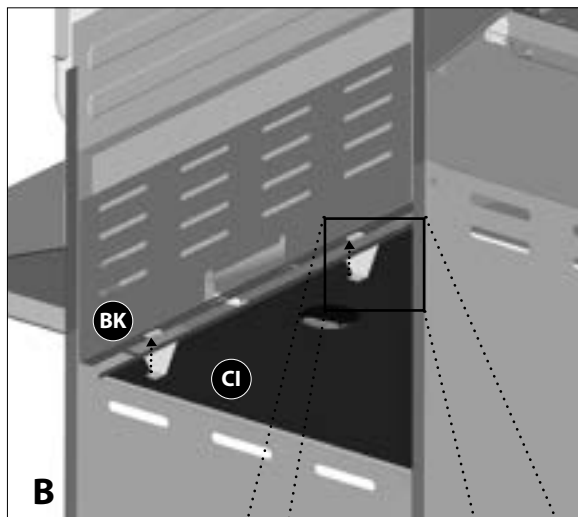
11



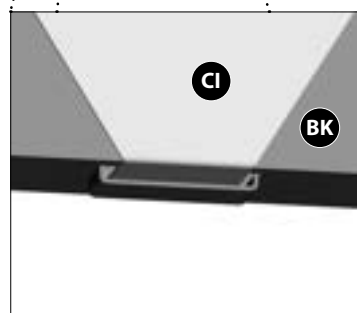
A
Front view



Close up



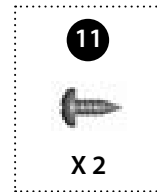
B
Back view



Close up

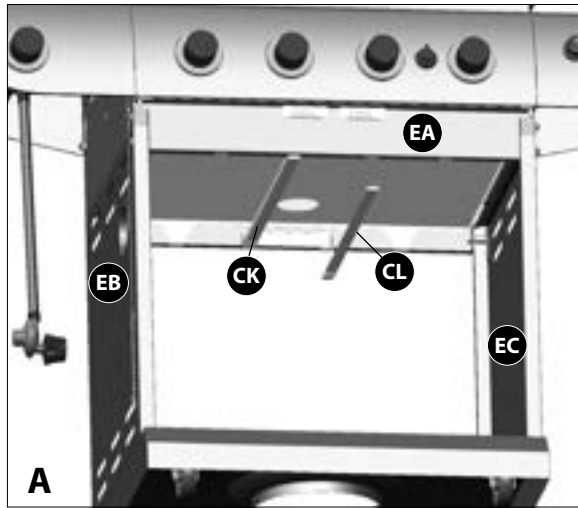
Assemble the Heat Shield (CI) to the bottom of the Door Support Rail (EA) and the Upper back panel (BK), as shown in figure A and B.

YOU WILL NEED:



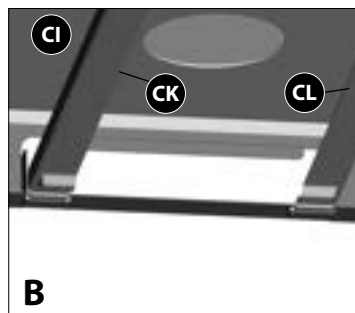
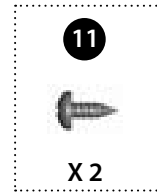
ASSEMBLY INSTRUCTIONS

12

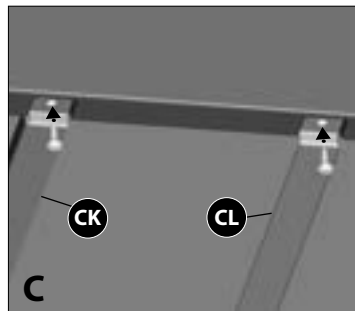


a. Assemble the Left and Right Tracks (CK and CL) for the Grease Tray (CJ), as shown in figures A-C.

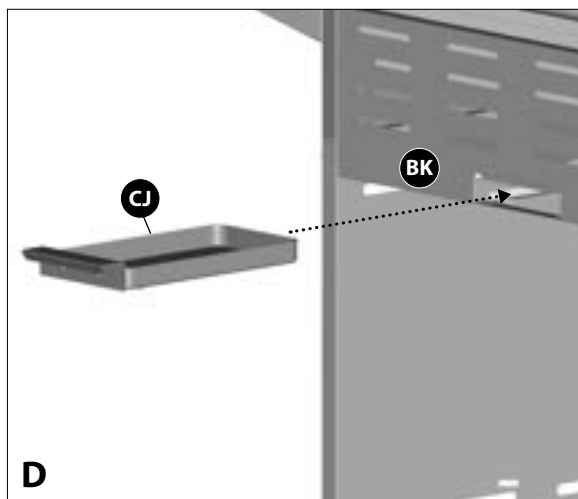
YOU WILL NEED:



B
Close up, back



C
Close up, front

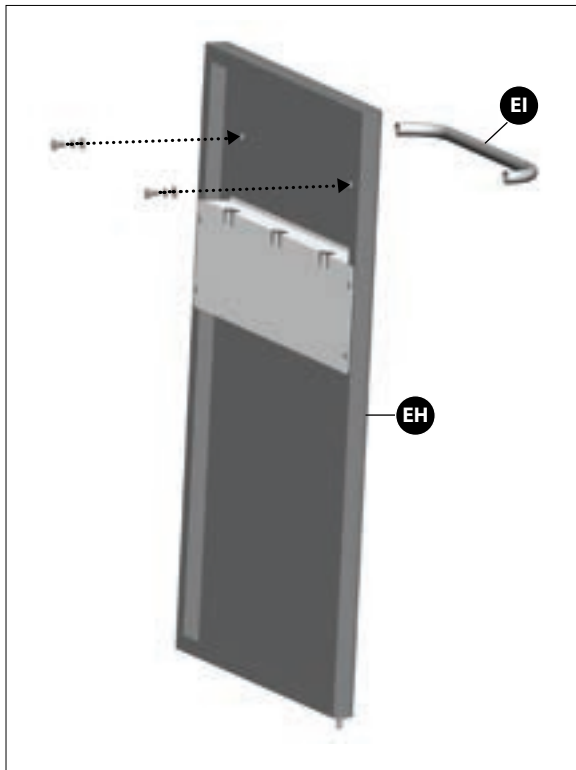


D
Back view

b. Insert the Grease Tray (CJ) into the opening of the Upper Back Panel (BK).

ASSEMBLY INSTRUCTIONS

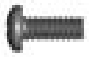


13



Assemble the Door Handle (EI) to the Left and Right Door Assembly (EG and EH).




Left Door Handle

YOU WILL NEED:

7	8	9
		
X 2	X 2	X 2

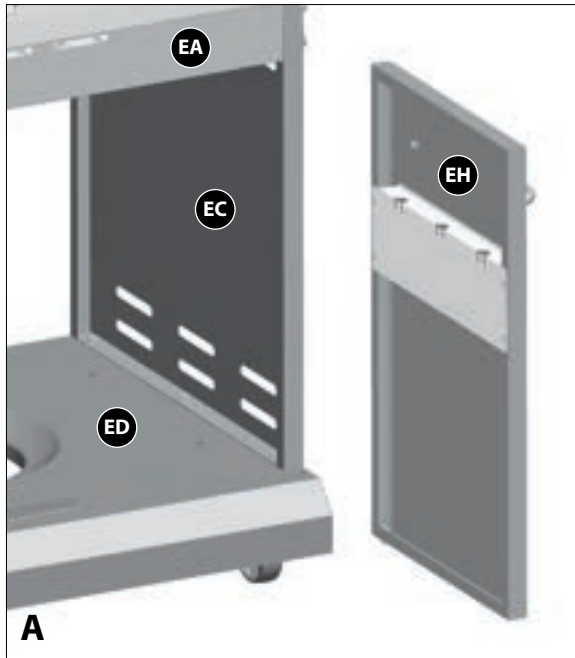
Right Door Handle

YOU WILL NEED:

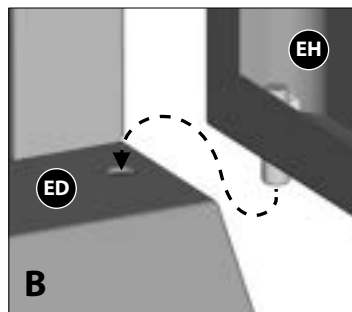
7	8	9
		
X 2	X 2	X 2

ASSEMBLY INSTRUCTIONS

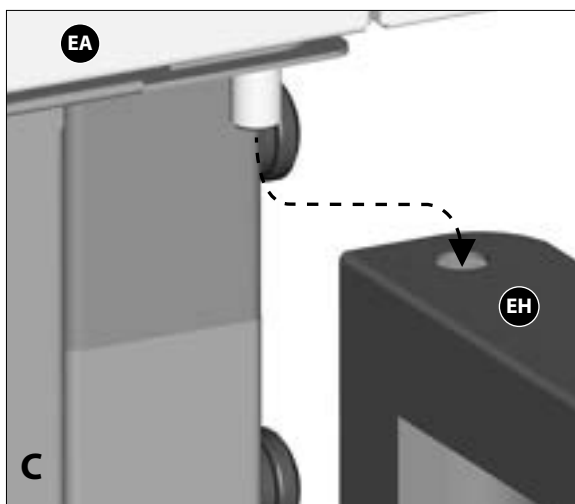
14



- a. Assemble the Right Door Assembly (EH), to the Bottom Shelf (ED) by inserting the fixed pin (bottom of door) into the hole provided (figure B).



B
Close up, bottom of door



C
Close up, top of door

- b. Assemble the top of the Door Assembly (EH) to the Door Support Rail (EA), by pressing in the door support pin and aligning with the hole located on the top right corner of the door (figure C).

TIP: Use a paint scraper to press-in the support pin, while the second person aligns the door. The support pin will lock into position when the door is assembled correctly.

- c. Repeat steps a, and b for the Left Door Assembly (EG).

ASSEMBLY INSTRUCTIONS



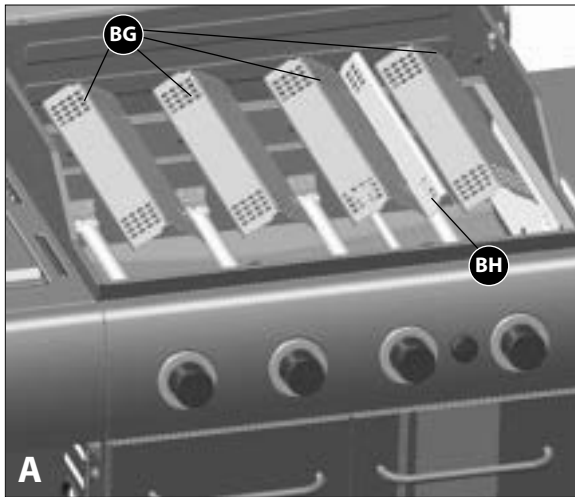
CONVERTIBLE VALVE SYSTEM™

ATTENTION: YOUR MODEL includes the CONVERTIBLE VALVE SYSTEM™. If you would like to convert your barbecue from PROPANE to NATURAL GAS, the following kit is required

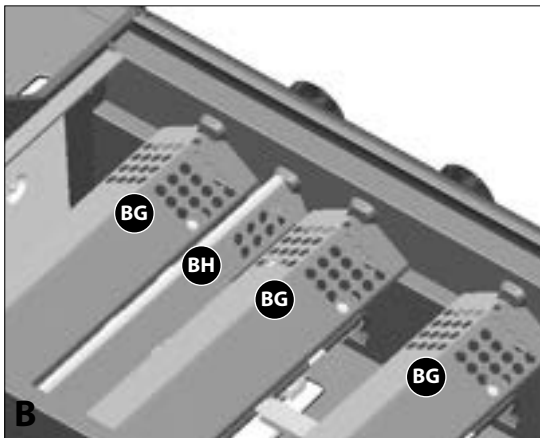
Convertible Valve System™ Natural Gas Conversion Kit - product number: 85-2261-4 (available at Canadian Tire)

Before completing steps 15 to 17, follow the steps outlined in the CONVERTIBLE VALVE SYSTEM™ instruction manual that accompanied the kit.

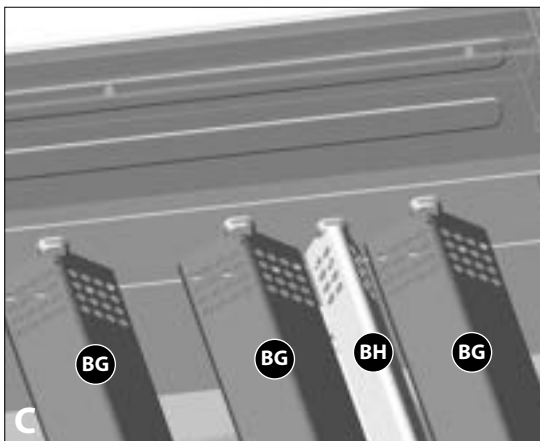
15



Position the Flame Tamers for Main Burner (BG) and Boost Burner (BH) into the Burner Box (BA).



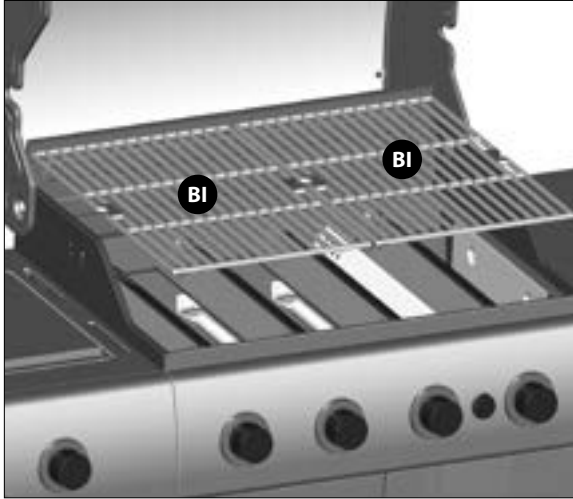
Close up, front view



Close up, back view

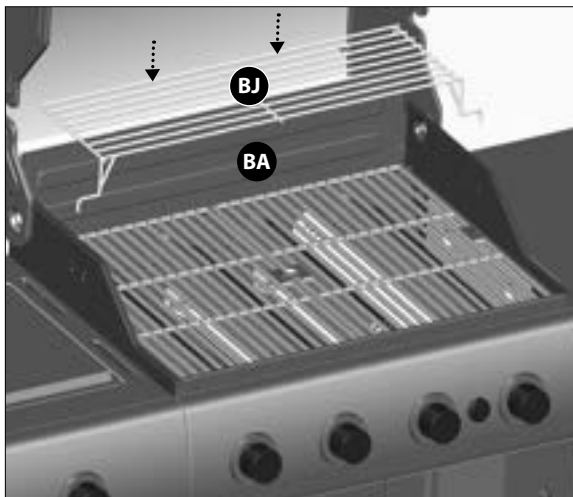
ASSEMBLY INSTRUCTIONS

16



Place the Cooking Grates (BI) into the Burner Box (BA).

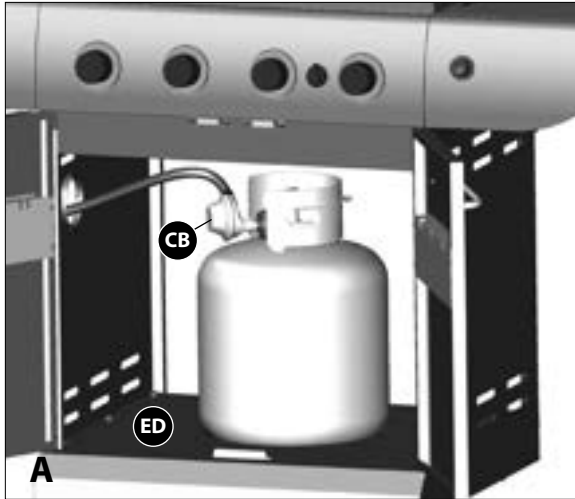
17



Insert the two small positioning rods of the Warming Rack (BJ) into the rear panel of the Burner Box (BA).

ASSEMBLY INSTRUCTIONS

18



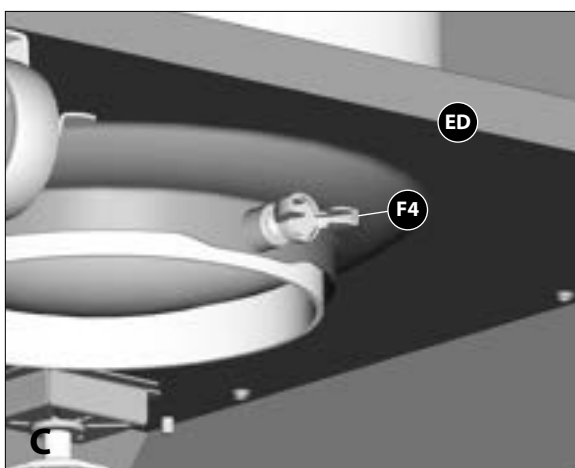
FOR PROPANE MODEL ONLY

- Attach the Regulator coupling nut (CB) to the LP cylinder valve.
- Position the 20 lb propane tank onto the Bottom Shelf (ED), and secure using the bolt (already attached) located on the underside of the Bottom Shelf (ED), as shown in figure C.

⚠ ATTENTION ⚠
FOR YOUR SAFETY, DO NOT ATTEMPT TO LIGHT THIS BARBECUE UNTIL YOU HAVE REVIEWED PAGES 4-8 OF THE MASTER CHEF® SAFETY & CARE MANUAL.

ALL SAFETY AND LEAK TESTS MUST BE PERFORMED BY THE END USER, PRIOR TO LIGHTING THIS BARBECUE.

⚠ ATTENTION ⚠
DO NOT STORE EXTRA PROPANE TANKS WITHIN BARBECUE CART.



View, underneath bottom panel

19

HOW TO CONVERT YOUR BARBECUE TO NATURAL GAS

This barbecue was sold PROPANE READY, if you wish to run your barbecue on Natural Gas you must purchase the Natural Gas Conversion Kit sold at Canadian Tire, product number: 085-2261-4.



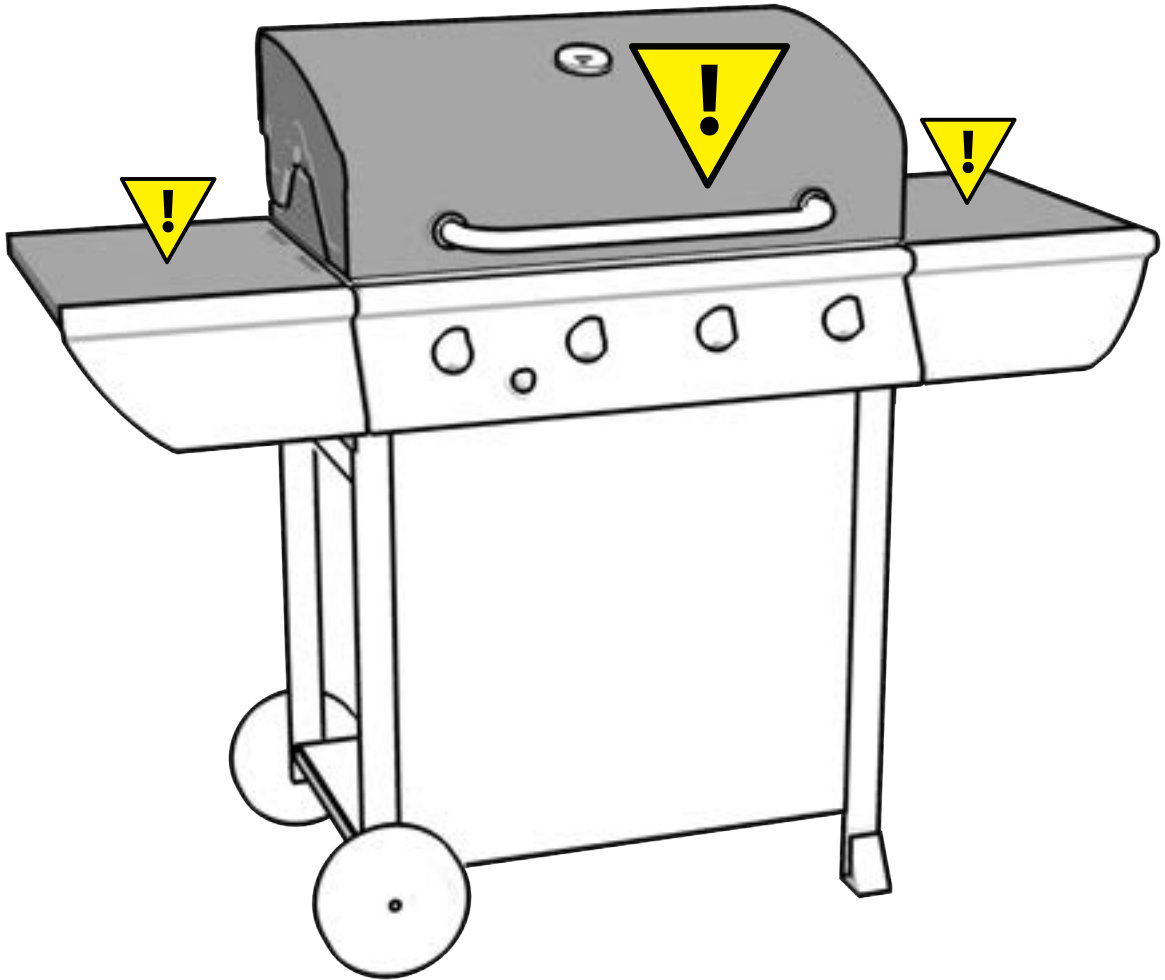
IMPORTANT

Make sure conversion kit packaging has the following symbol on it:



**CONVERTIBLE
VALVE SYSTEM™**

⚠ WARNING HOT SURFACES



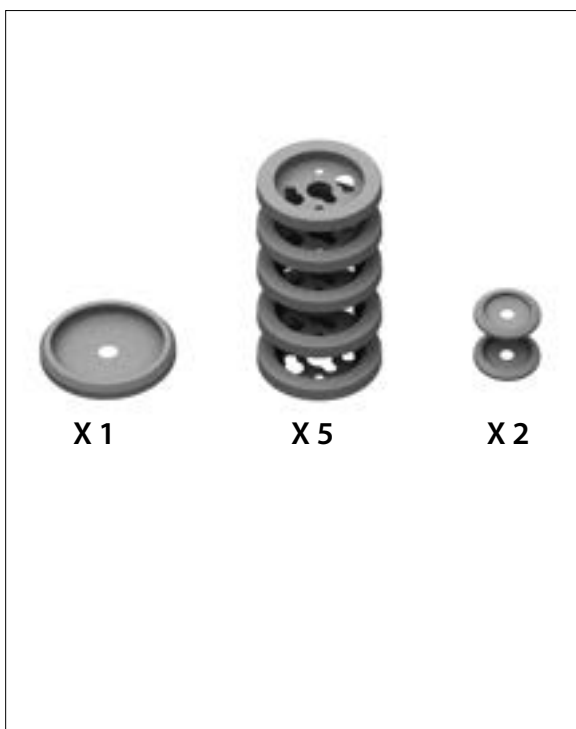
CAUTION!

- **AVOID BURNS!**
 - **DO NOT TOUCH WHEN BARBECUE IS IN USE!**
 - **EXTREMELY HOT SURFACE!**
- * *SHADED AREAS BECOME EXTREMELY HOT WHEN IN USE.***

CUSTOMIZE YOUR BARBECUE

Your barbecue comes with AN ADDITIONAL SET OF BEZELS! Follow these instructions if you would like to change your bezel colour to stainless!

01



Open the custom bezel kit (F5).

02



Remove Control Knobs (CC) from the Control Panel (CH) and Side Shelf Fascia (DB).

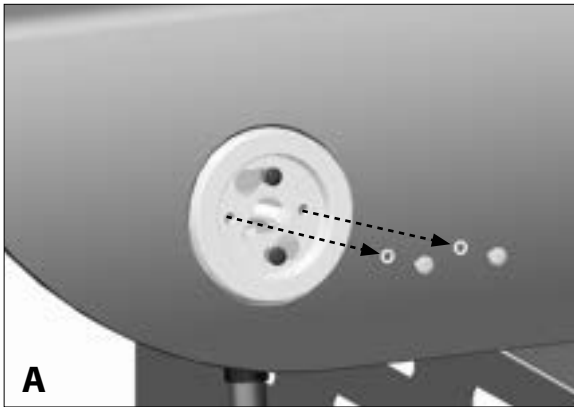
CUSTOMIZE YOUR BARBECUE

03

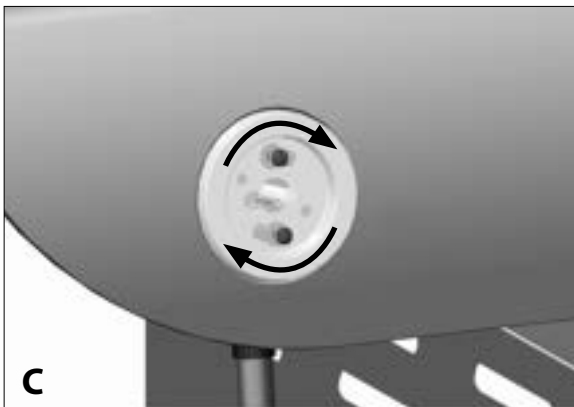
SIDE BURNER CONTROL PANEL

IMPORTANT: CHANGE 1 BEZEL AT A TIME.

Remove the bezel hardware (left and right screw) as shown. Put hardware aside.



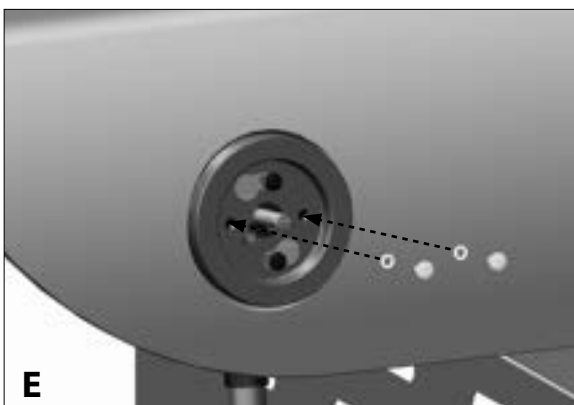
Unscrew, but DO NOT REMOVE the side burner valve hardware (top and bottom screw).



Turn bezel clockwise slightly, to remove.

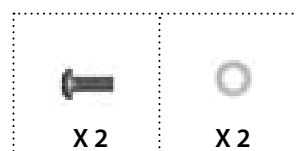


Position new bezel on side burner valve hardware, and turn counter-clockwise. Tighten hardware.



Assemble bezel hardware, removed in step 3A.

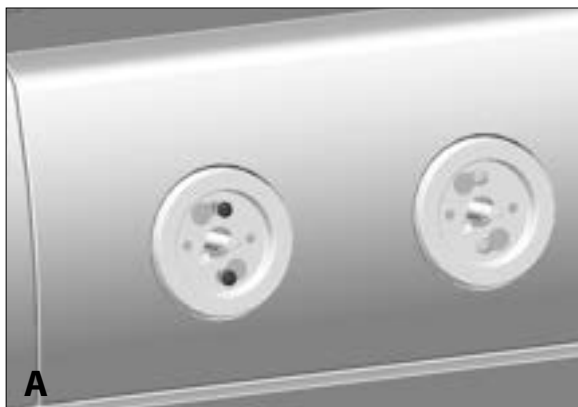
YOU WILL NEED:



CUSTOMIZE YOUR BARBECUE

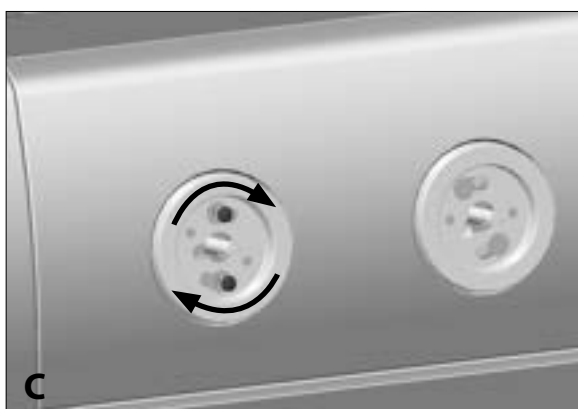
04

MAIN CONTROL PANEL



IMPORTANT: CHANGE 1 BEZEL AT A TIME.

Unscrew, but **DO NOT REMOVE** the valve hardware (top and bottom screw).



Turn bezel clockwise slightly, to remove.



Position new bezel on valve hardware.



Turn counter-clockwise. Tighten hardware.

REPEAT STEPS 4A TO 4E TO CHANGE THE REMAINING BEZELS.

CUSTOMIZE YOUR BARBECUE

05



Assemble Control Knobs (CC), removed in Step 2, back to Control Panel (CH) and Side Shelf Fascia (DB).



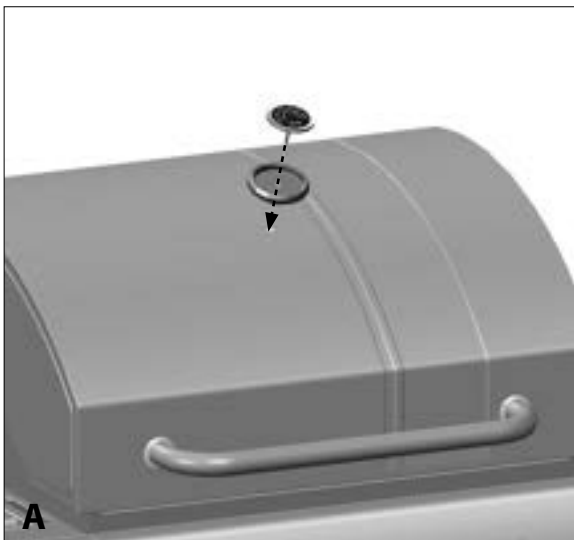
CUSTOMIZE YOUR BARBECUE

06



Remove Thermometer (AD), Thermometer Bezel (AE), and hardware from Top Lid Assembly (AA). Put hardware aside.

07

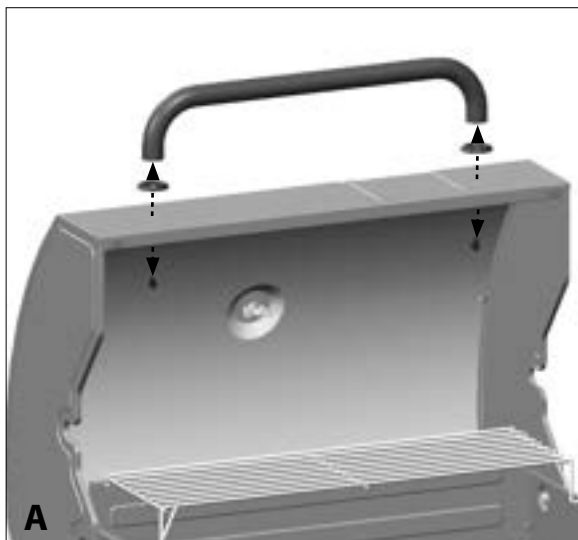


Assemble Thermometer (AD) and new Thermometer Bezel (AE) back to Top Lid Assembly (AA), using hardware removed in Step 6.



CUSTOMIZE YOUR BARBECUE

08



Remove Lid Handle (AB) and Lid Handle Bezels (AC) from Top Lid Assembly (AA). Put hardware aside.

! ATTENTION !
BE CAREFUL NOT TO DROP HARDWARE.

09



Assemble Lid Handle (AB) and new Lid Handle Bezels (AC), back to Top Lid Assembly (AA), using hardware removed in Step 8.



MASTER
Chef™

Visit **www.masterchefbarbecue.com**
to complete product registration.

Master Chef® Customer Service
1-855-453-2150

Trileaf Distributions Trifeuil
Toronto, Ontario M4S 2B8