

MASTER
*Chef*TM
MC



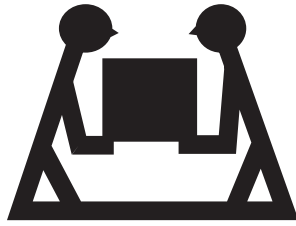
E500 Barbecue Assembly Manual

85-3106-0 (G45315) Propane
85-3107-8 (G45316) Natural Gas
1 YEAR LIMITED WARRANTY

READ AND SAVE MANUAL FOR FUTURE REFERENCE.

Assemble your grill immediately.
Missing or damaged parts claims must be submitted within 30 days of purchase date.

**For product inquiries, parts, warranty and troubleshooting support,
please call 1-855-453-2150.**



HEAVY ARTICLE NEEDS 2 TO LIFT

THIS MANUAL MUST REMAIN WITH THE PRODUCT AT ALL TIMES

To ORDER non-warranty replacement parts or accessories, or to register your warranty, please visit us on the web at

www.masterchefbbqs.com

⚠ CAUTION

Sharp edges. Wear gloves when assembling your grill.

⚠ CAUTION

Read and follow all safety statements, assembly instructions, use and care directions before attempting to assemble and cook.

⚠ INSTALLER OR ASSEMBLER/CONSUMER

This manual should be kept with the BBQ at all times.

⚠ WARNING

Failure to follow all of the Manufacturer's instructions could result in hazardous fires, explosions, property damage, or serious personal injury or even death.

Follow all leak check procedures carefully prior to operation of barbecue, even if grill was dealer assembled. Do not try to light this barbecue without reading the Lighting Instructions section of this manual.

⚠ DANGER

1. If you smell Gas:
 - a. Shut off gas to the appliance
 - b. Extinguish any open flame
 - c. Open lid
 - d. If odor continues, keep away from the appliance and immediately call your gas supplier or your fire department
 2. Requires two people to complete the assembly process.
 3. Beware of sharp edges.
-

⚠ WARNING

1. Do not store or use gasoline or other flammable liquids or vapours in the vicinity of this or any other appliance.
 2. An LP cylinder not connected for use shall not be stored in the vicinity of this or any other appliance.
-

⚠ WARNING

IN DIRECT SUN, AND IN OPERATION, YOUR BBQ'S STAINLESS STEEL AND PAINTED STEEL PARTS CAN BECOME VERY HOT.

THIS BARBECUE IS FOR OUTDOOR USE ONLY

CONTACT CALL CENTRE IF ANY PARTS ARE MISSING

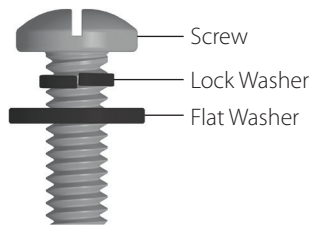
1-855-453-2150

HARDWARE PACK

TOOLS NEEDED FOR ASSEMBLY


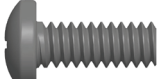


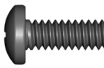







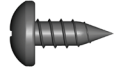




- #2 Phillips screwdriver (long and short)
- ¼" Slotted screwdriver (long and short)
- Adjustable wrench
- Pliers

For correct hardware assembly, always position the lock washer between the screw and the flat washer.



KEY #	DESCRIPTION	PART NUMBER	QUANTITY
1	¼"-20UNCx38 Screw	20120-13038-250	8
2	¼"-20UNCx18 Screw	20120-13018-250	8
3	¼"-20UNCx13 Screw	20120-13013-250	6
4	¼" Nut	30220-13000-250	4
5	φ7 Lock Washer	41400-07000-250	18
6	φ7 Washer	40300-07000-250	22
7	NO.10-24UNCx10 Screw	20124-10010-250	10
8	φ5 Lock Washer	41400-05000-250	4
9	φ5 Washer	40300-05000-250	7
10	NO.10-24UNCx35 Screw	20124-10035-250	1
11	NO.8-32UNCx10 Screw	20132-08010-250	4
12	φ4 Lock Washer	41400-04000-250	4
13	φ4 Washer	40300-04000-250	4
14	NO.8-32UNC Nut	30232-08000-250	4
15	ST4.2X10 Tapping Screw	22500-42010-137	7
16	Fiber washer	G501-0054-9100	4
17	Control knob	G453-0049-9000	1
18	Castor Pin	G350-0026-9000	1
19	Electrode set spacer, Side burner	G453-0065-9000	1
20	Venturi clip, Side burner	G405-0019-9200	1

Caution: Sheet metal can cause injury. Wear gloves when installing the grill.

1	 ¼"-20UNCx38 Screw X 8	2	 ¼"-20UNCx18 Screw X 8	3	 ¼"-20UNCx13 Screw X 6
4	 ¼" Nut X 4	5	 φ7 Lock Washer X 18	6	 φ7 Washer X 22
7	 NO.10-24UNCx10 Screw X 10	8	 φ5 Lock Washer X 4	9	 φ5 Washer X 7
10	 NO.10-24UNCx35 Screw X 1	11	 NO.8-32UNCx10 Screw X 4	12	 φ4 Lock Washer X 4
13	 φ4 Washer X 4	14	 NO.8-32UNC Nut X 4	15	 ST4.2X10 Tapping Screw X 7
16	 Fiber Washer X 4	17	 Control knob X 1	18	 Castor Pin X 1
19	 Electrode Spacer X 1	20	 Venturi Clip X 1		

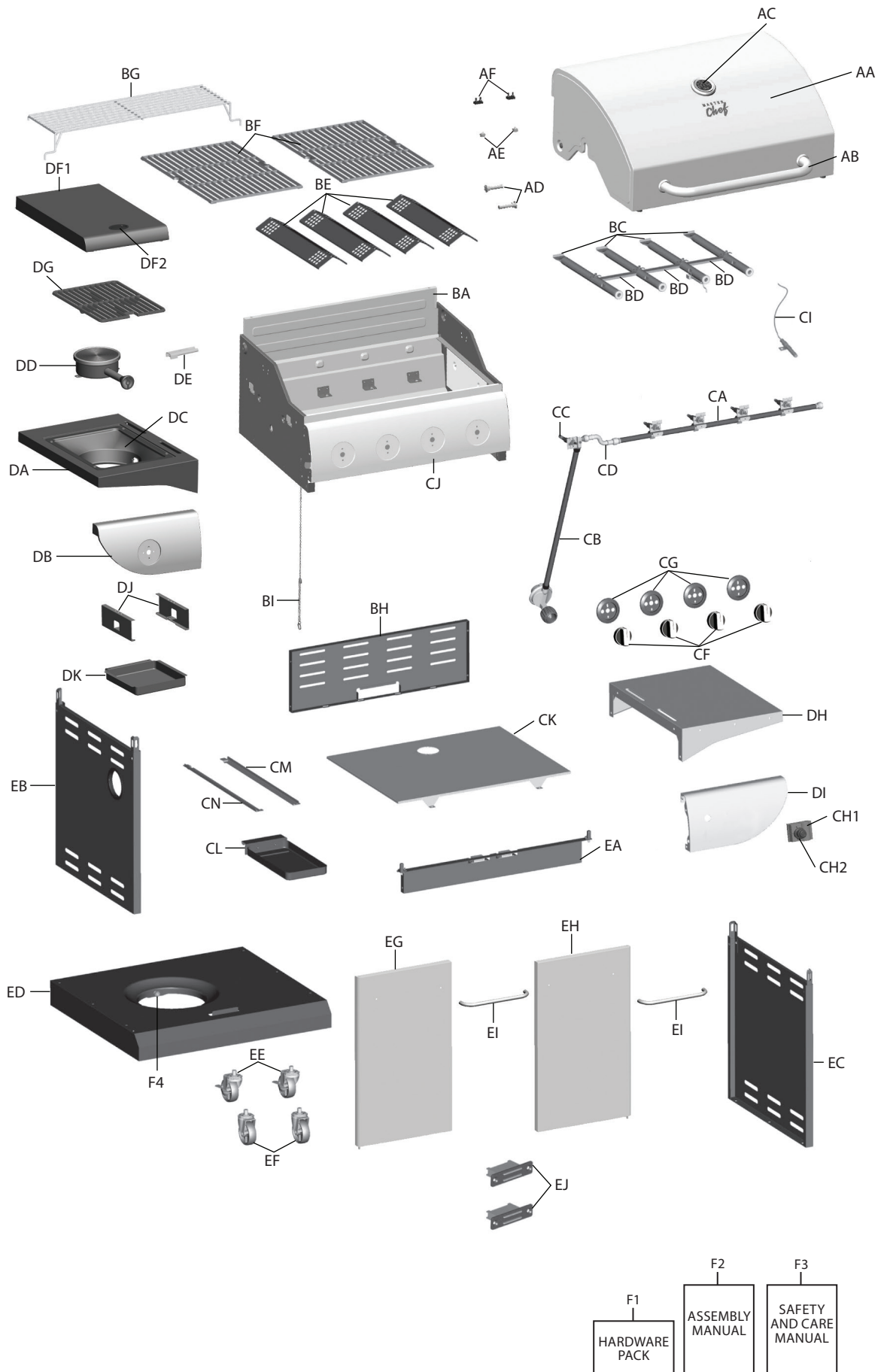
BEFORE ASSEMBLING THIS BARBECUE, READ THE INSTRUCTIONS CAREFULLY.

Assemble the barbecue on a flat, clean surface. Grill is heavy. Two people are recommended to complete assembly.

PARTS LIST (PROPANE) FOR 85-3106-0 (G45315)

KEY #	QUANTITY	DESCRIPTION	PART NO.
AA	1	Top lid	G453-B400-01
AB	1	Lid handle	G432-000J-01
AC	1	Thermometer	G432-000K-01
AD	2	Screw for top lid	G359-0030-01
AE	2	Lid bumper, front	G508-0063-01
AF	2	Lid bumper, rear	G303-0038-01
BA	1	Burner box weldment	G453-A300-01
BC	4	Main burner	G517-7300-01
BD	3	Carryover assembly	G614-0095-01
BE	4	Flame tamer	G453-0072-01
BF	2	Cooking grate	G453-0019-01
BG	1	Warming rack	G453-0018-01
BH	1	Upper back panel	G453-0010-01
BI	1	Match holder	G501-0068-01
CA	1	Manifold assembly-LP	G453-A600-01
CB	1	Regulator	G606-0008-01
CC	1	IR Side burner valve-LP	G453-0070-01
CD	1	Side burner metal hose	G608-0039-01
CF	4	Control knob	G453-0049-01
CG	4	Bezel, control knob	G501-0031-01
CH1	1	Electronic igniter assembly	G409-0021-02
CH2	1	Electronic ignition button	G409-0030-01
CI	1	Electrode set, main burner	G515-0067-01
CJ	1	Control panel	G453-0050-01
CK	1	Heat shield	G453-0011-01
CL	1	Grease tray	G350-4400-01
CM	1	Right track	G453-0013-01
CN	1	Left track	G453-0012-01
DA	1	Side burner shelf table - Left	G453-7400-01
DB	1	Side burner shelf fascia - Left	G453-0026-01
DC	1	Infrared support frame	G453-0063-01
DD	1	Infrared side burner	G453-9300-01
DE	1	Electrode set, infrared	G453-0058-01
DF1	1	Infrared burner lid	G453-0057-01
DF2	1	Infrared burner lid handle	G401-0031-01
DG	1	Infrared burner cooking grate	G453-0060-01
DH	1	Side shelf table - Right	G453-0700-01
DI	1	Side shelf fascia - Right	G453-0022-01
DJ	2	Infrared grease tray rail	G453-0064-01
DK	1	Infrared grease tray	G453-0059-01
EA	1	Door support rail	G453-5000-01
EB	1	Cart side panel - Left	G453-0300-01
EC	1	Cart side panel - Right	G453-0400-01
ED	1	Bottom shelf-LP	G453-0500-02
EE	2	Locking castor	G350-0023-01
EF	2	Castor	G350-0024-01
EG	1	Left door assembly	G453-6900-01
EH	1	Right door assembly	G453-7200-01
EI	2	Door handle	G453-0053-01
EJ	2	Magnet assembly	G501-0016-01
F1	1	Hardware pack	G453-B015-01
F2	1	Assembly instructions	G453-M015-01
F3	1	Safe use and care manual	G453-M015-02
F4	1	Tank screw	G505-0047-01

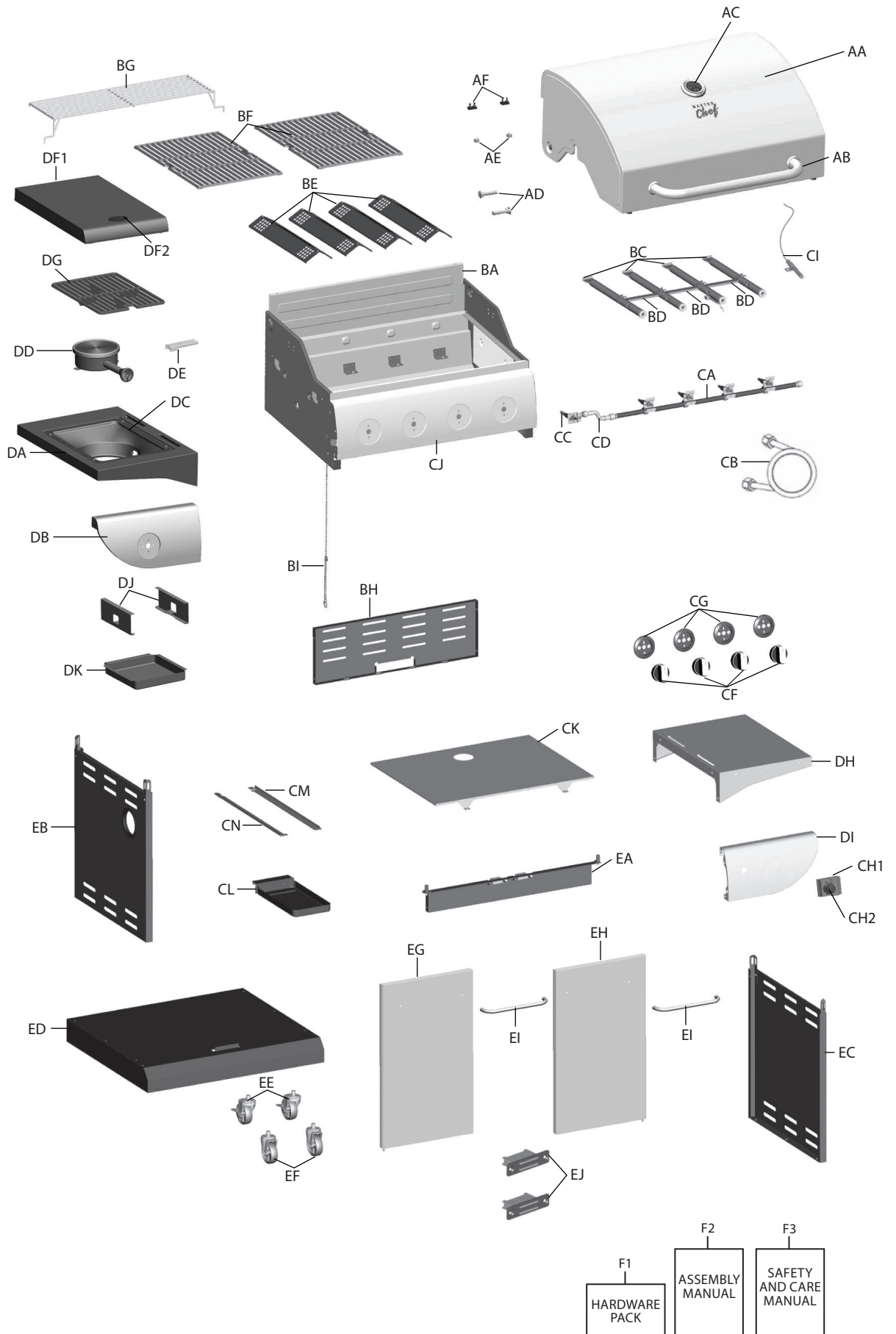
EXPLODED DIAGRAM (PROPANE) FOR 85-3106-0 (G45315)



PARTS LIST (NATURAL GAS) FOR 85-3107-8 (G45316)

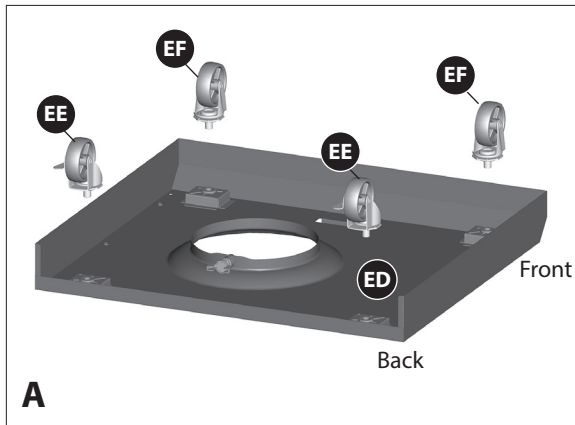
KEY #	QUANTITY	DESCRIPTION	PART NO.
AA	1	Top lid	G453-B400-01
AB	1	Lid handle	G432-000J-01
AC	1	Thermometer	G432-000K-01
AD	2	Screw for top lid	G359-0030-01
AE	2	Lid bumper, front	G508-0063-01
AF	2	Lid bumper, rear	G303-0038-01
BA	1	Burner box weldment	G453-A300-01
BC	4	Main burner	G517-7300-01
BD	3	Carryover assembly	G614-0095-01
BE	4	Flame tamer	G453-0072-01
BF	2	Cooking grate	G453-0019-01
BG	1	Warming rack	G453-0018-01
BH	1	Upper back panel	G453-0010-01
BI	1	Match holder	G501-0068-01
CA	1	Manifold assembly-NG	G453-B200-01
CB	1	Natural Gas hose	G501-0099-01
CC	1	IR Side burner valve-NG	G453-0076-01
CD	1	Side burner metal hose	G608-0039-01
CF	4	Control knob	G453-0049-01
CG	4	Bezel, control knob	G501-0031-01
CH1	1	Electronic igniter assembly	G409-0021-02
CH2	1	Electronic ignition button	G409-0030-01
CI	1	Electrode set, main burner	G515-0067-01
CJ	1	Control panel	G453-0050-01
CK	1	Heat shield	G453-0011-01
CL	1	Grease tray	G350-4400-01
CM	1	Right track	G453-0013-01
CN	1	Left track	G453-0012-01
DA	1	Side burner shelf table - Left	G453-7400-01
DB	1	Side burner shelf fascia - Left	G453-0026-01
DC	1	Infrared support frame	G453-0063-01
DD	1	Infrared side burner	G453-9300-01
DE	1	Electrode set, infrared	G453-0058-01
DF1	1	Infrared burner lid	G453-0057-01
DF2	1	Infrared burner lid handle	G401-0031-01
DG	1	Infrared burner cooking grate	G453-0060-01
DH	1	Side shelf table - Right	G453-0700-01
DI	1	Side shelf fascia - Right	G453-0022-01
DJ	2	Infrared grease tray rail	G453-0064-01
DK	1	Infrared grease tray	G453-0059-01
EA	1	Door support rail	G453-5000-01
EB	1	Cart side panel - Left	G453-0300-01
EC	1	Cart side panel - Right	G453-0400-01
ED	1	Bottom shelf-NG	G453-1000-02
EE	2	Locking castor	G350-0023-01
EF	2	Castor	G350-0024-01
EG	1	Left door assembly	G453-6900-01
EH	1	Right door assembly	G453-7200-01
EI	2	Door handle	G453-0053-01
EJ	2	Magnet assembly	G501-0016-01
F1	1	Hardware pack	G453-B015-01
F2	1	Assembly instructions	G453-M015-01
F3	1	Safe use and care manual	G453-M015-02

EXPLODED DIAGRAM (NATURAL GAS) FOR 85-3107-8 (G45316)

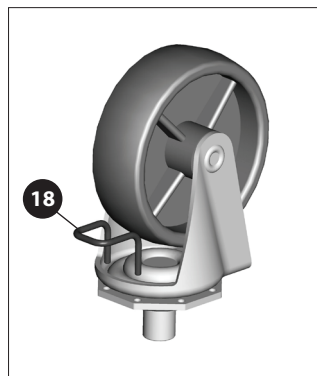


ASSEMBLY INSTRUCTIONS

1



A
Upside down view



Close Up

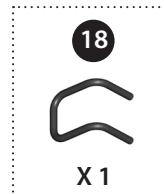
Separate the 2 different types of castors: 2 Locking Castors (EE) and 2 Regular Castors (EF).

Note: Regular Castors (EF) need to be assembled to the front of the Bottom Shelf (ED), and Locking Castors (EE) need to be assembled to the back of the Bottom Shelf (ED), as shown in image A.

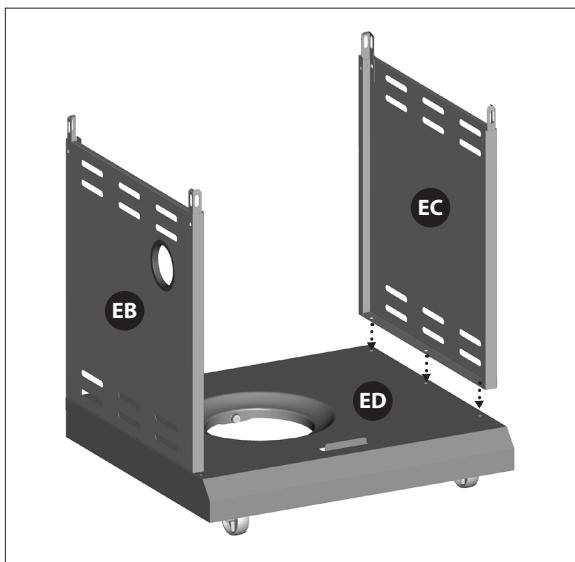
Attach the Regular Castor (EF) to the front of the Bottom Shelf (ED), and use the Pin Tool (#18) to secure and tighten.

Repeat for remaining 3 castors (EE & EF).

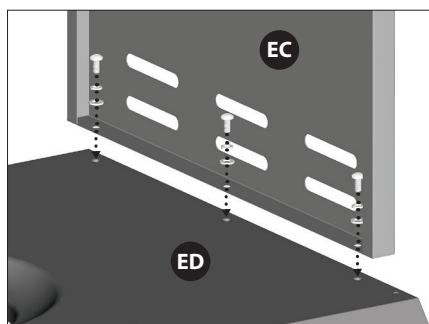
YOU WILL NEED:



2



Front view

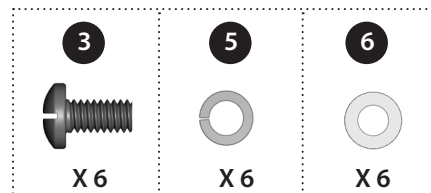


Close Up

Ensure that the Locking Castors (EE) are firmly locked in the "ON" position before continuing.

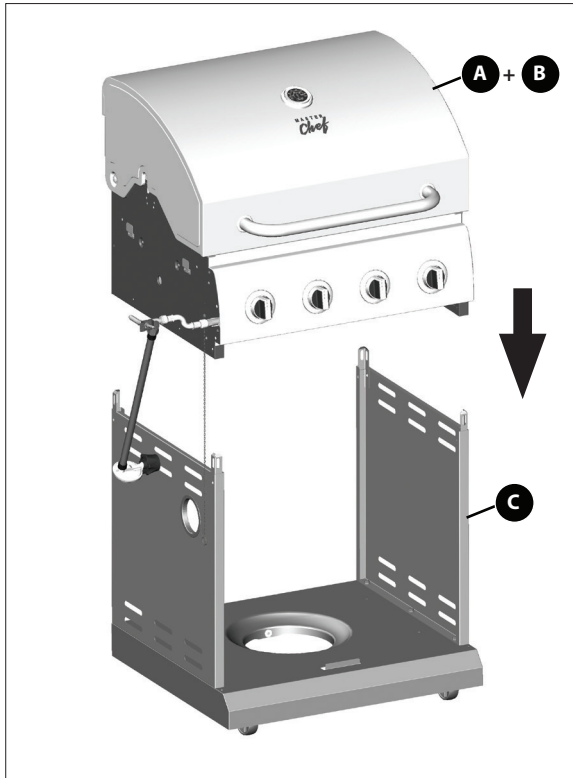
Assemble the Left Side Panel (EB) and the Right Side Panel (EC), to the Bottom Shelf (ED).

YOU WILL NEED:



ASSEMBLY INSTRUCTIONS

3

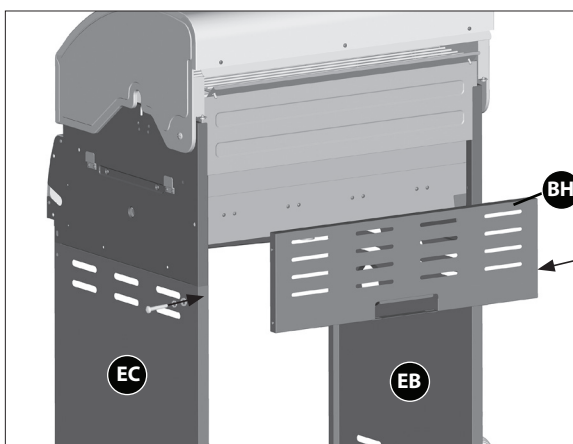


Front View

THIS STEP REQUIRES 3 PEOPLE. DO NOT ATTEMPT ALONE. EXTREMELY HEAVY!

Position the Top Lid Assembly and Burner Box Assembly (A & B) onto the Cart Assembly (C), as shown.

4

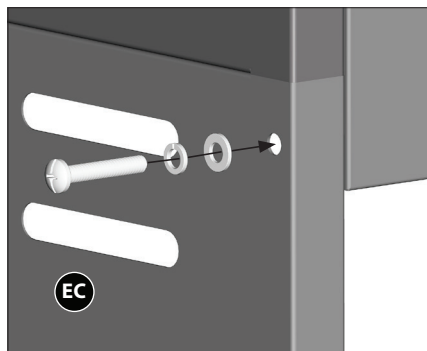
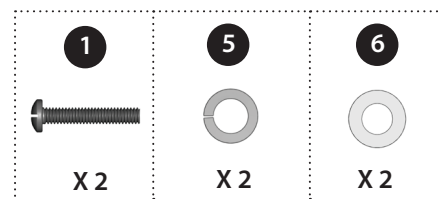


Back View

Attach the Upper Back Panel (BH) to both the Left And Right Side Panels (EB & EC).

Attention: Assembly of the Upper Back Panel (BH) will be completed in Step 8 and 11.

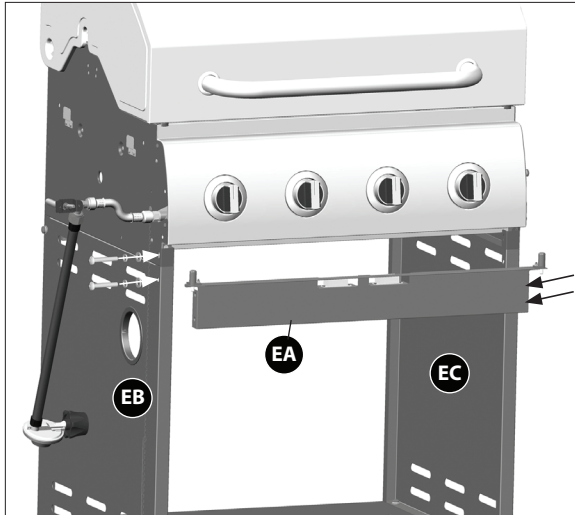
YOU WILL NEED:



Close Up

ASSEMBLY INSTRUCTIONS

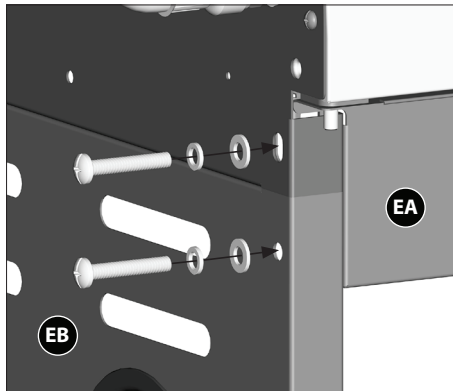
5



Front View

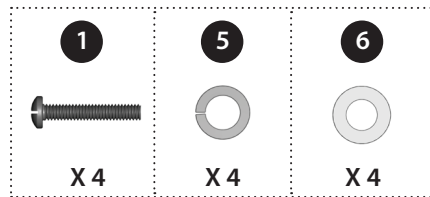
Assemble the Door Support Rail (EA) to the Left and Right Upper Side Panels (EB and EC), as shown.

WARNING: This part may have sharp edges. Wear protective gloves when assembling.



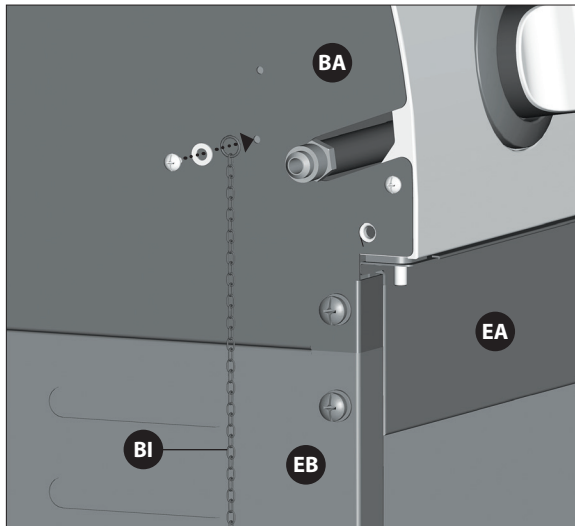
Close Up

YOU WILL NEED:



ASSEMBLY INSTRUCTIONS

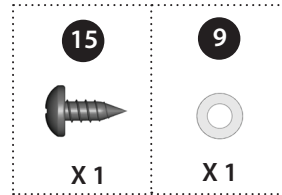
6



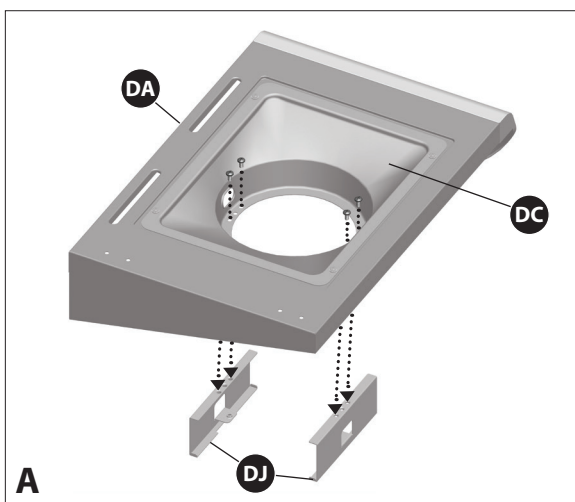
Front, left side view

Attach the Match Holder (BI) to the left side panel of the Burner Box Assembly.

YOU WILL NEED:



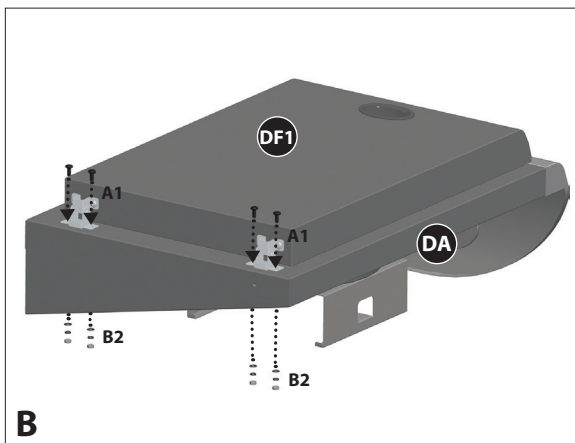
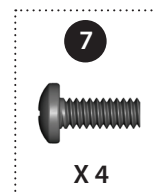
7



A

a. Assemble infrared grease tray rails (DJ) to the infrared support frame (DC) located on the left sear stove side shelf (DA) as shown in figure A.

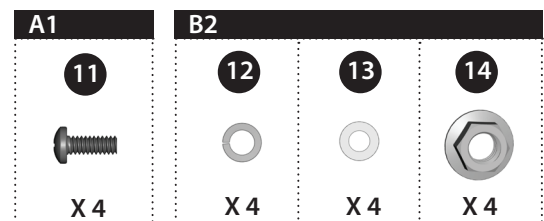
YOU WILL NEED:



B

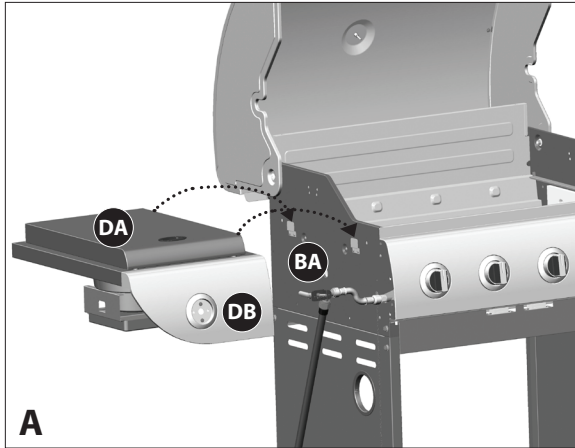
b. Attach the infrared burner lid (DF1) to the left side burner shelf table (DA).

YOU WILL NEED:

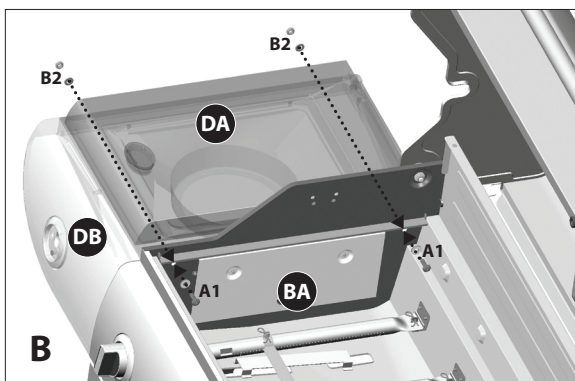


ASSEMBLY INSTRUCTIONS

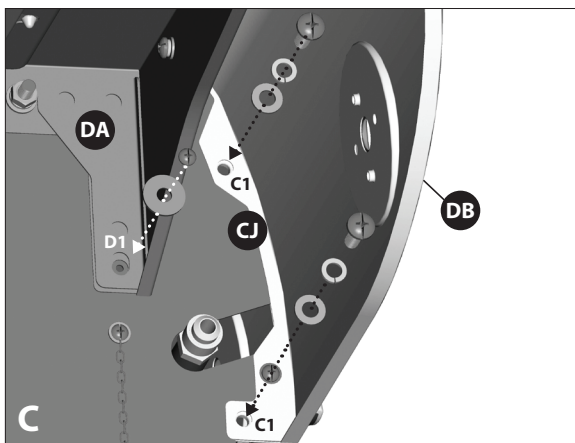
8



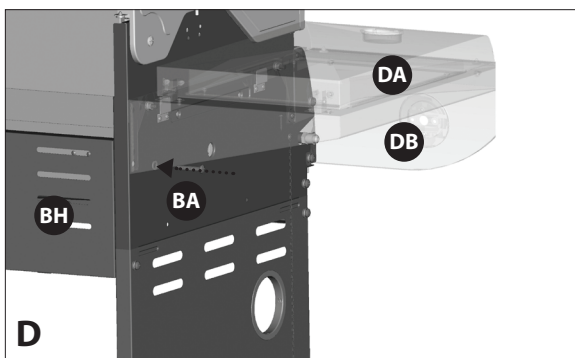
A
Front, left side view



B
View inside burner box



C
View from underneath left side shelf



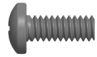



D
Back, left side view

LEFT SIDE SHELF ASSEMBLY

a. Mount the left side burner side shelf (DA and DB) onto the two support brackets, located on the left, upper side panel of the burner box (BA).






b. Assemble the left side burner side shelf (DA and DB) to the upper side panel of the burner box (BA), by positioning hardware through the interior of the burner box (BA), as shown in figure B.

YOU WILL NEED:

A1		B2	
2	16	6	4
			
X 2	X 2	X 2	X 2




c. Assemble the front of the left side burner side shelf assembly (DA and DB) to the control panel (CJ), as shown in figure C.

YOU WILL NEED:

C1			D1	
2	5	6	15	9
				
X 2	X 2	X 2	X 1	X 1

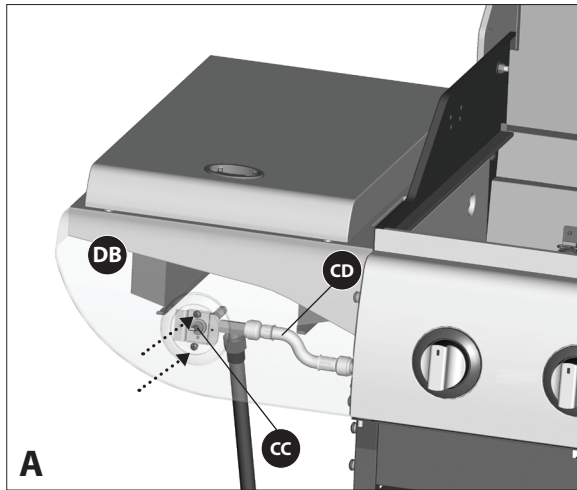
d. Complete the left side burner side shelf assembly (DA and DB) by connecting the side shelf, the rear of the Burner Box side panel (BA), and the Upper Back Panel (BH), as shown in figure D.

YOU WILL NEED:

1	5	6
		
X 1	X 1	X 1

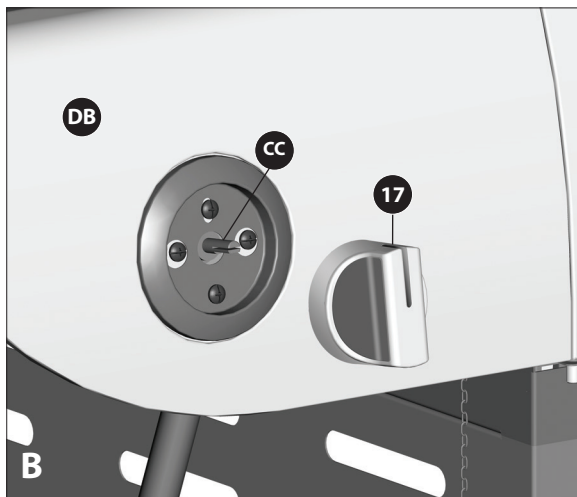
ASSEMBLY INSTRUCTIONS

9



- a. Remove the hardware that is pre-assembled to the IR side burner valve (CC), as shown in figure A.

Insert the side burner valve stem (CC) through the rear of the left side shelf fascia (DB) and assemble using the hardware removed.



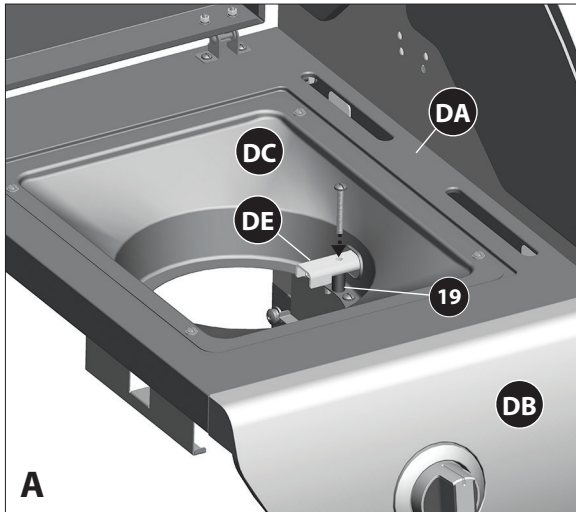
- b. Assemble the Side burner control knob (#17) to the Side burner valve (CC).

YOU WILL NEED:



ASSEMBLY INSTRUCTIONS

10

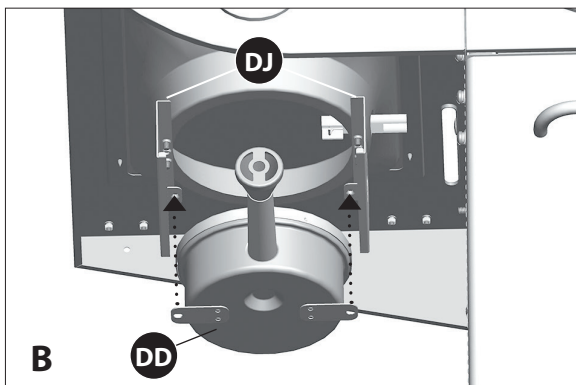
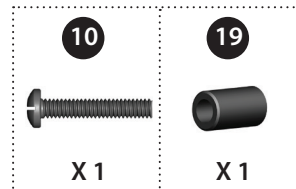


View from above, left side shelf

- a. Position the electrode spacer (#19) on the infrared support frame (DC) and then feed the infrared burner electrode (DE) through the opening on the right side of the infrared support frame (DC). Assemble using hardware as shown in figure A.

NOTE: the infrared electrode (DE) set can be found attached to the infrared side burner valve (CC).

YOU WILL NEED:

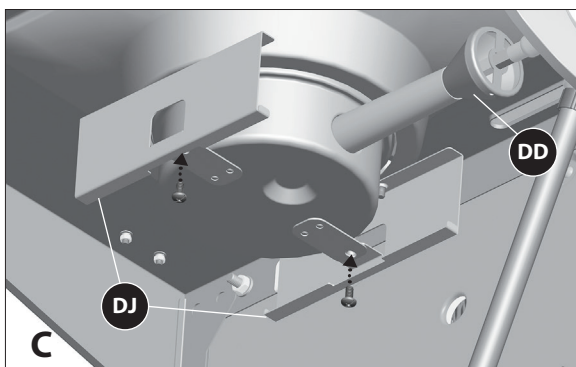
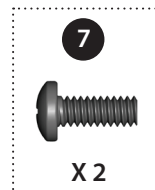


View from underneath left side shelf

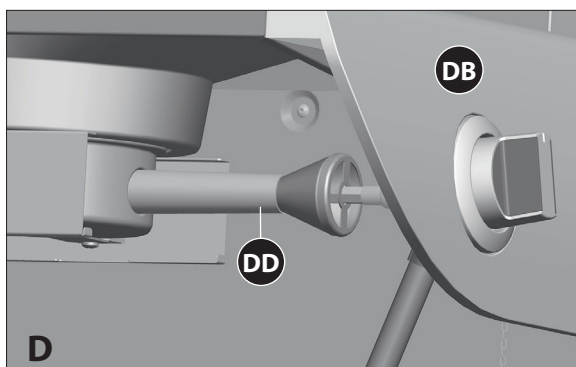
- b. To complete assembly of the infrared side burner (DD), align the brackets of the infrared side burner (DD) to the brackets located on the infrared grease tray rails (DJ) as shown in figure B and C. Assemble using hardware.

IMPORTANT: Make sure that the infrared side burner (DD) engages the sear stove burner valve (CC) before tightening hardware (figure D).

YOU WILL NEED:



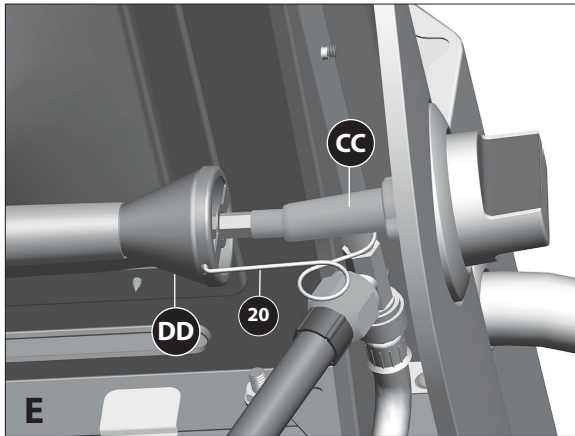
View from underneath left side shelf



View from underneath left side shelf

ASSEMBLY INSTRUCTIONS

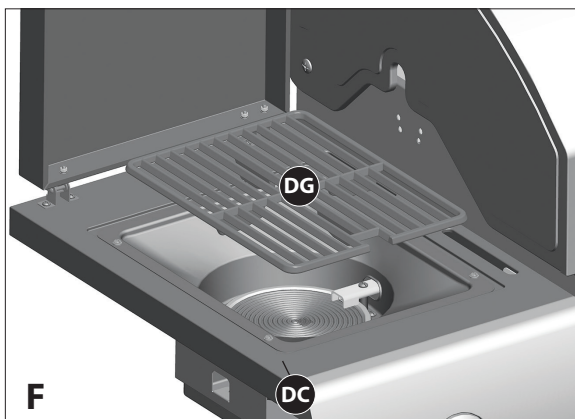
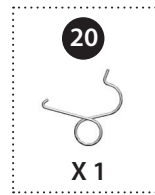
10



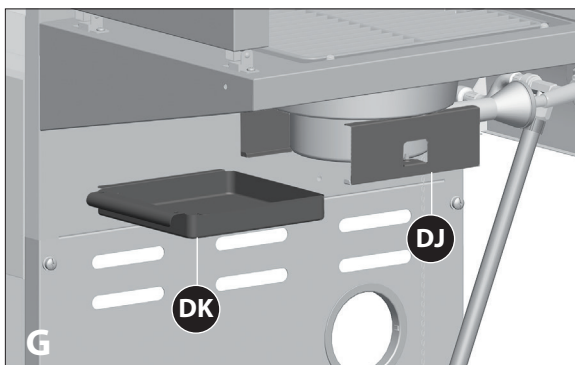
View from underneath left side shelf

c. Use the side burner Venturi clip (#20) to connect the infrared side burner (DD) to the side burner valve (CC).

YOU WILL NEED:

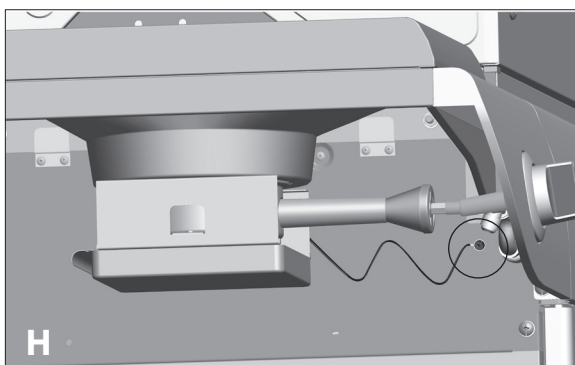


d. Position the side burner cooking grate (DG) onto the infrared support frame (DC).



View from the back, left side

e. Position the infrared grease tray (DK) onto the infrared grease tray rails (DJ).

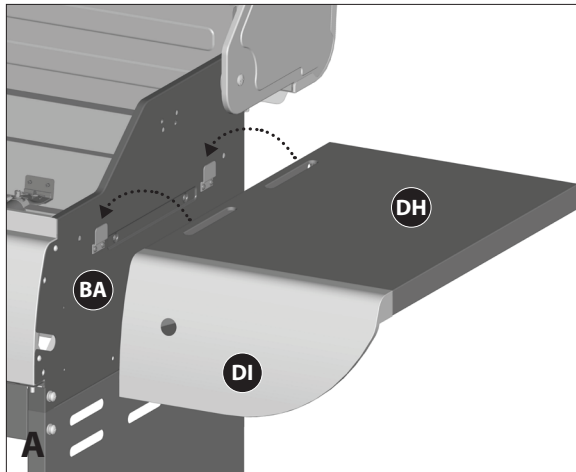


View from underneath left side shelf

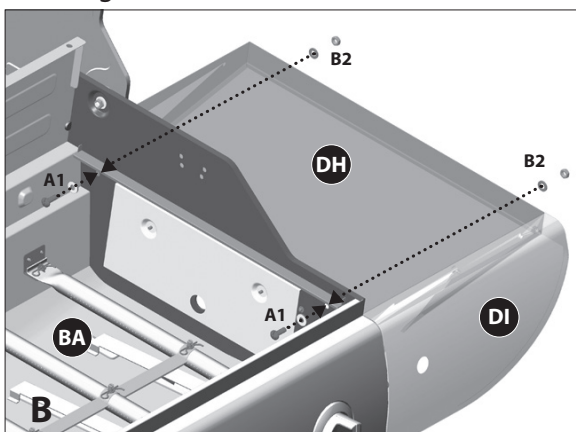
f. Verify that the black grounding wire attached to the side burner electrode is pre-assembled to the side of the burner box as shown in figure H.

ASSEMBLY INSTRUCTIONS

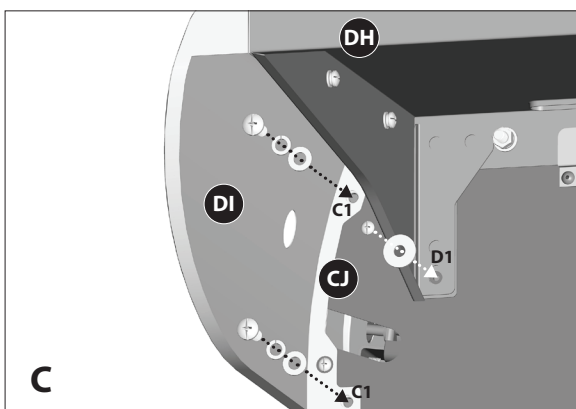
11



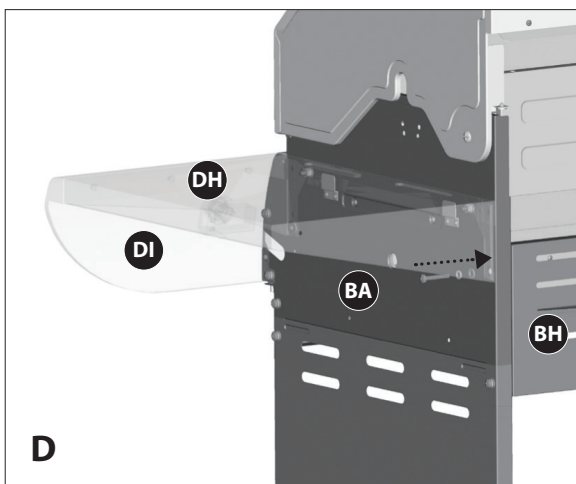
Front, right side view



View inside burner box



View, under right side shelf



Back, right side view

RIGHT SIDE SHELF ASSEMBLY

TIP: Do not tighten until all hardware is in place.

a. Mount the right side shelf (DH and DI) onto the two support brackets, located on the right, upper side panel of the burner box (BA).

b. Assemble the right side shelf (DH and DI) to the upper side panel of the burner box (BA), by positioning hardware through the interior of the burner box, as shown in figure B.

YOU WILL NEED:

A1		B2	
2	16	6	4
X 2	X 2	X 2	X 2

c. Assemble the front of the right side shelf (DH and DI) to the control panel (CJ), as shown in figure C.

YOU WILL NEED:

C1			D1	
2	5	6	15	9
X 2	X 2	X 2	X 1	X 1

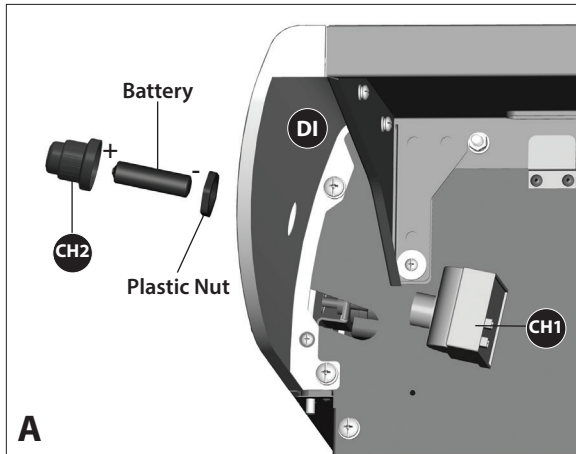
d. Complete the right side burner side shelf assembly (DI and DH) by connecting the side shelf, the rear of the Burner Box side panel (BA), and the Upper Back Panel (BH), as shown in figure D.

YOU WILL NEED:

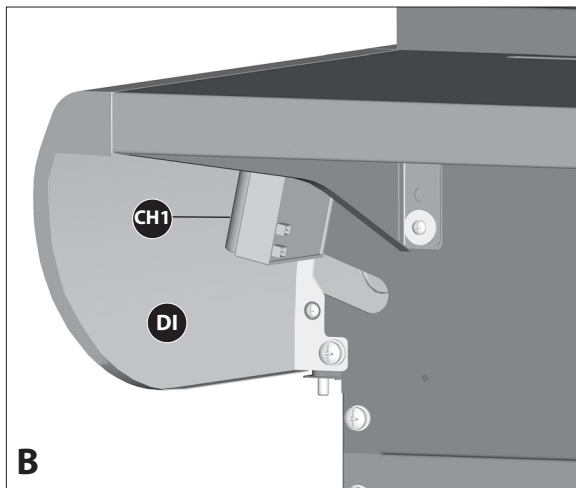
1	5	6
X 1	X 1	X 1

ASSEMBLY INSTRUCTIONS

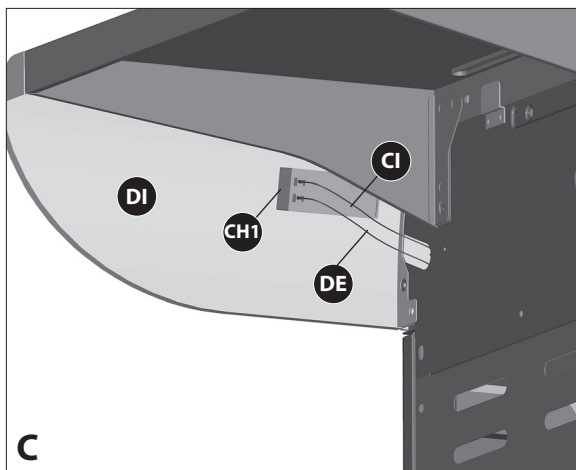
12



View, under right side shelf



Underneath right side shelf



Underneath right side shelf

ELECTRONIC IGNITION ASSEMBLY

- Remove the Ignition Battery Cover (CH2) and the plastic nut from the Electronic Ignition Box (CH1).
- Position the Electronic Ignition Box (CH1) through the opening in the Right Side Shelf Fascia (DI) and secure using the plastic nut.
- Insert one "AA" battery into the battery compartment (CH1) with the positive end facing outward, as shown. Secure using the ignition button cover (CH2).

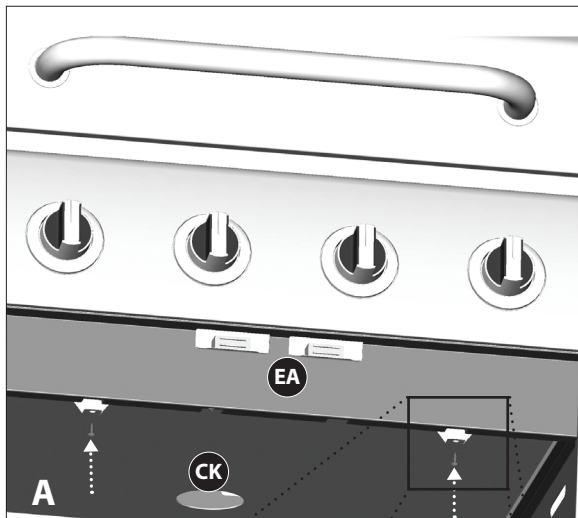
*** Battery not included.**

- Insert the Electrode Sets, for the Main Burner (CI), the infrared side burner (DE) into the Electronic Ignition Assembly (CH1) as shown. Ensure that the wires are pushed in firmly.

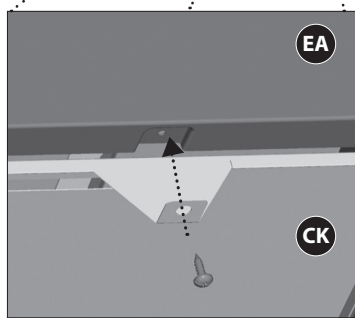
Note: Both wire connectors are the same.

ASSEMBLY INSTRUCTIONS

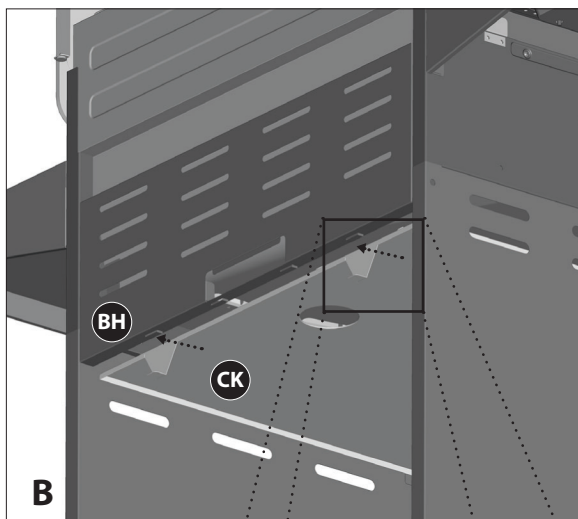
13



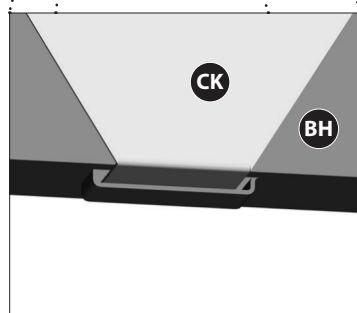
Front view



Close up



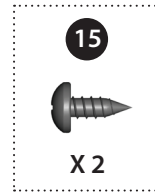
Back view



Close up

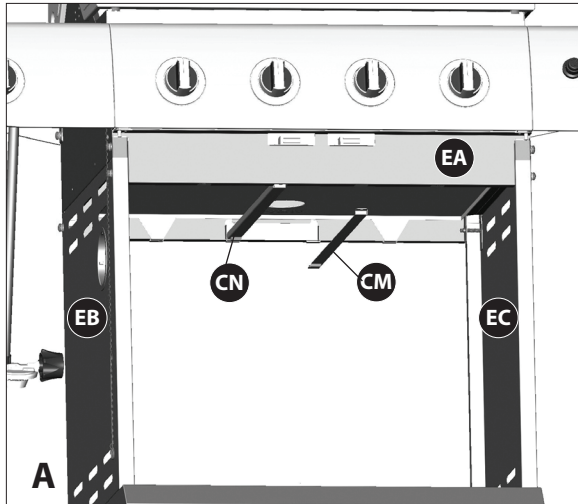
Assemble the Heat Shield (CK) to the bottom of the Door Support Rail (EA) and the Upper back panel (BH), as shown in figure A and B.

YOU WILL NEED:

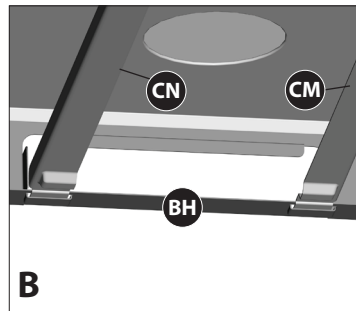


ASSEMBLY INSTRUCTIONS

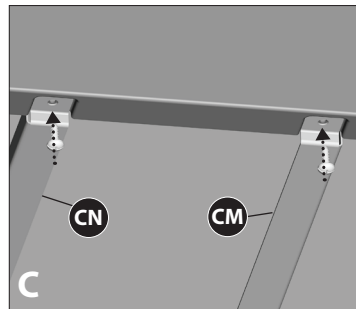
14



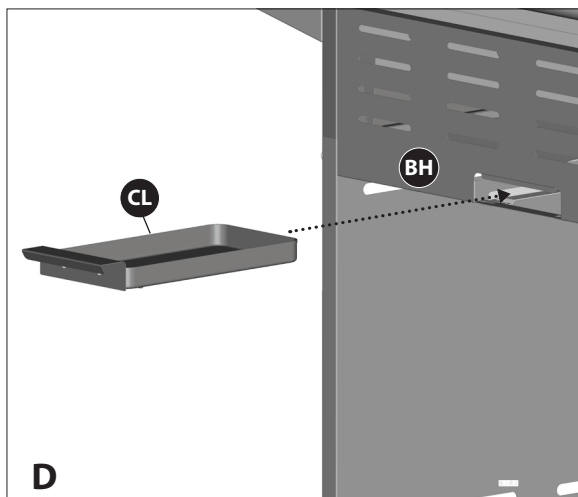
Front view



Close up, back view



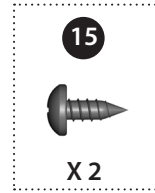
Close up, front view



Back view

- a. Assemble the Left and Right Tracks (CN and CM) for the Grease Tray (CL), as shown in figure A.

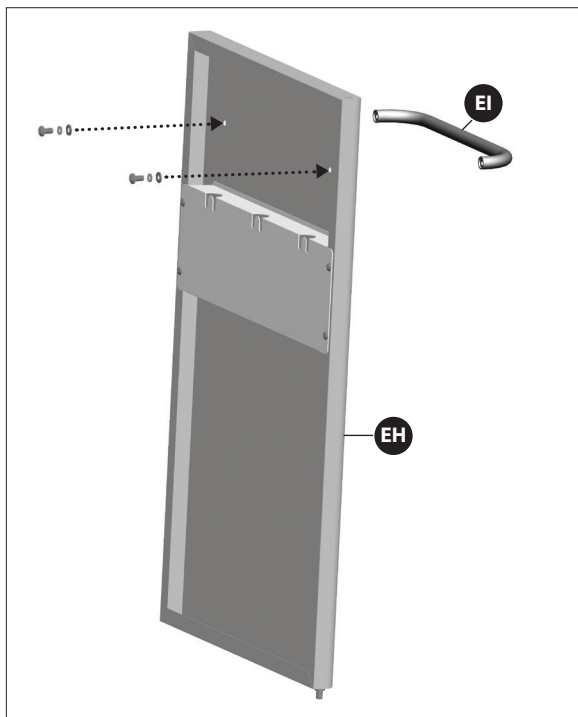
YOU WILL NEED:



- b. Insert the Grease Tray (CL) into the opening of the Upper Back Panel (BH).

ASSEMBLY INSTRUCTIONS

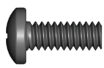


15



Assemble the Door Handle (EI) to the Left and Right Door Assembly (EG and EH).

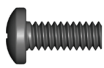


Left door handle

YOU WILL NEED:

7  X 2	8  X 2	9  X 2
---	--	--

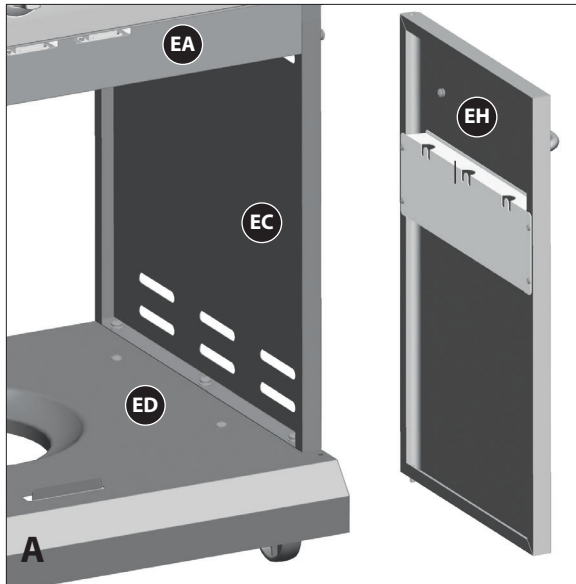
Right door handle

YOU WILL NEED:

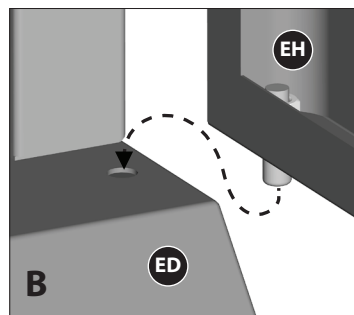
7  X 2	8  X 2	9  X 2
---	--	--

ASSEMBLY INSTRUCTIONS

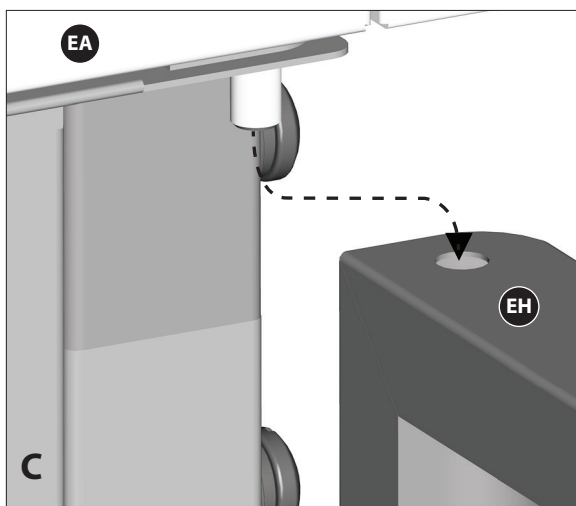
16



- a. Assemble the right door assembly (EH), to the bottom shelf (ED) by inserting the fixed pin (bottom of door) into the hole provided (figure B).



Close up, bottom of door



Top of door

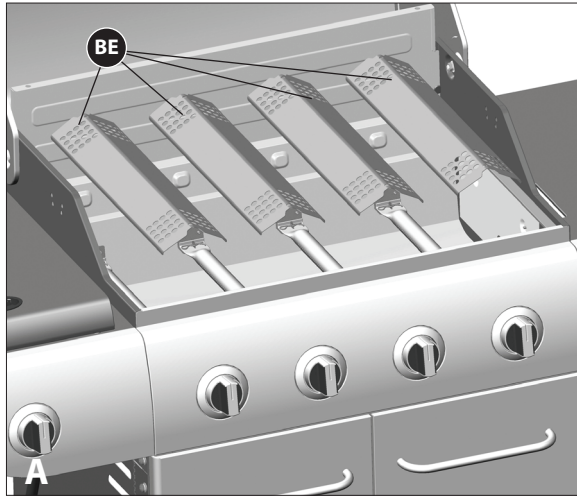
- b. Assemble the top of the door assembly (EH) to the door support rail (EA), by pressing in the door support pin and aligning with the hole located on the top right corner of the door (figure C).

TIP: Use a paint scraper to press-in the support pin, while the second person aligns the door. The support pin will lock into position when the door is assembled correctly.

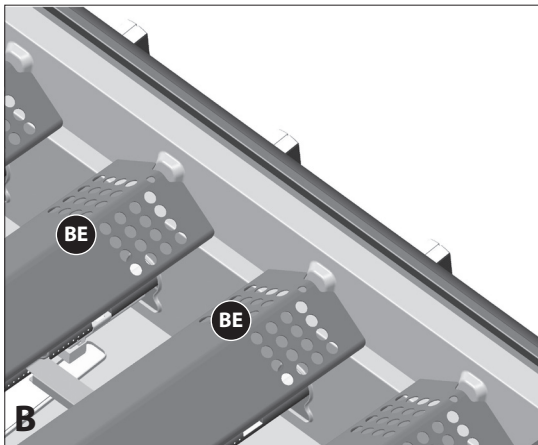
- c. Repeat steps a, and b for the left door assembly (EG).

ASSEMBLY INSTRUCTIONS

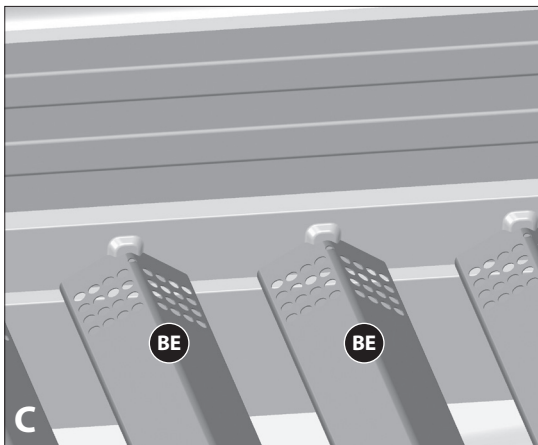
17



a. Position the Flame Tamers (BE) into the Burner Box (BA).



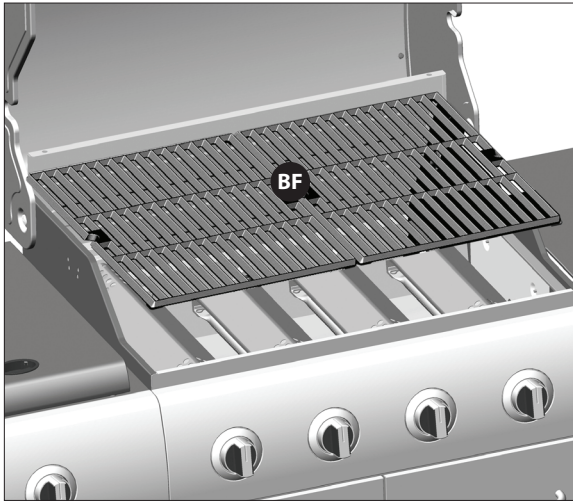
Close up, front view



Close up, back view

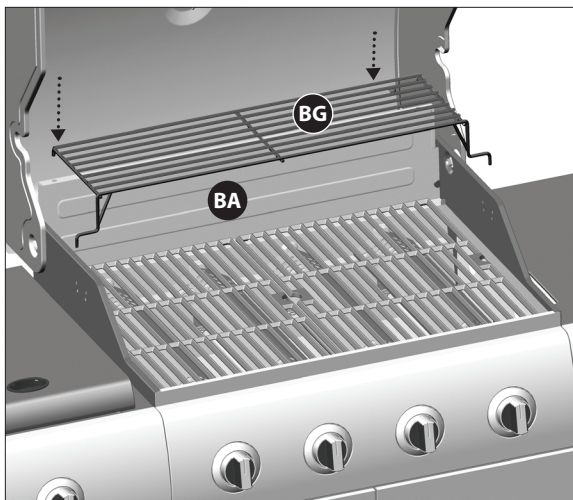
ASSEMBLY INSTRUCTIONS

18



Place the cooking grates (BF) into the burner box (BA).

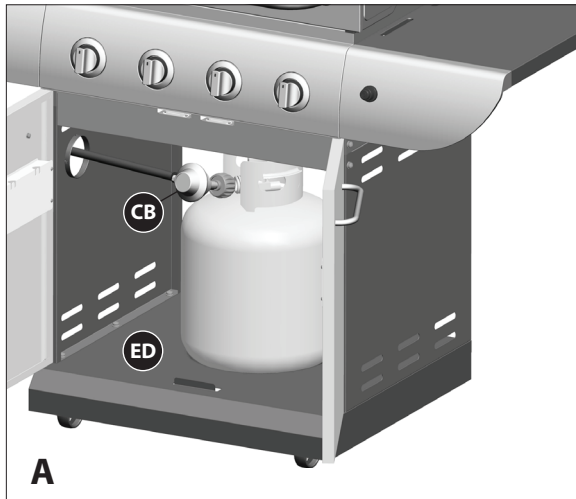
19



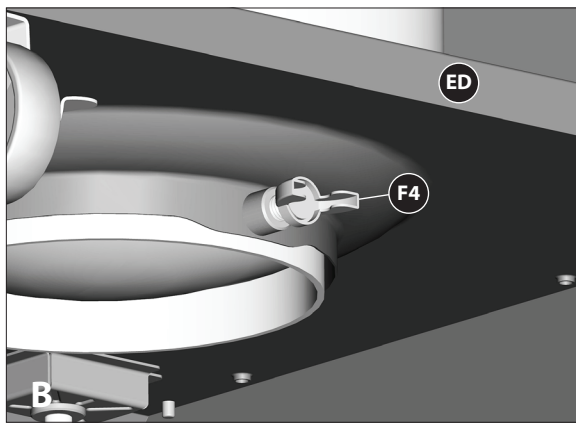
Insert the two small positioning rods of the warming rack (BG) into the rear panel of the burner box (BA).

ASSEMBLY INSTRUCTIONS

20



A



B

View, underneath bottom panel

FOR PROPANE MODEL ONLY

FOR NATURAL GAS MODEL, FOLLOW STEP 21.

- Position the 20 lb propane tank onto the Bottom Shelf (ED), and secure using the bolt (already attached) located on the underside of the Bottom Shelf (ED), as shown in figure B.
- Attach the Regulator coupling nut (CB) to the LP cylinder valve.

⚠ ATTENTION ⚠

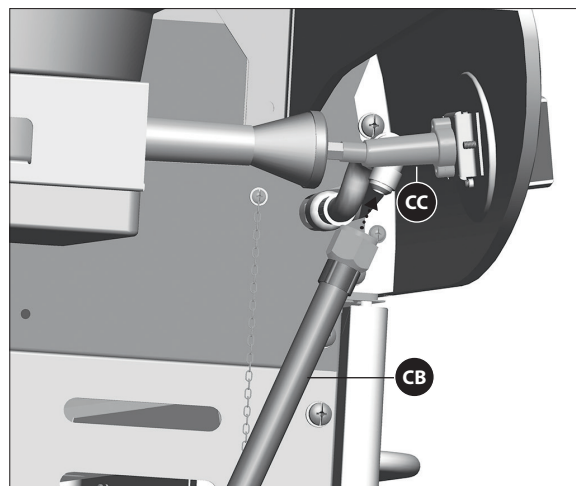
FOR YOUR SAFETY, DO NOT ATTEMPT TO LIGHT THIS BBQ UNTIL YOU HAVE REVIEWED PAGES 4-8 OF THE MASTER CHEF® SAFETY & CARE MANUAL.

ALL SAFETY AND LEAK TESTS MUST BE PERFORMED BY THE END USER, PRIOR TO LIGHTING THIS BBQ.

⚠ ATTENTION ⚠

DO NOT STORE EXTRA PROPANE TANKS WITHIN BBQ CART.

21



View from underneath left side shelf

FOR NATURAL GAS MODEL ONLY

Attach the Natural Gas Hose (CB) to the IR Side Burner Valve (CC) as shown.

⚠ ATTENTION ⚠

In order to complete installation of your Natural Gas BBQ a 1/2" or 3/8" adapter may be required to connect your BBQ's Natural Gas hose to your home gas supply. Contact your Natural Gas supplier to purchase the necessary part.

⚠ ATTENTION ⚠

FOR YOUR SAFETY, DO NOT ATTEMPT TO LIGHT THIS BBQ UNTIL YOU HAVE REVIEWED PAGES 4-8 OF THE MASTER CHEF® SAFETY & CARE MANUAL.

ALL SAFETY AND LEAK TESTS MUST BE PERFORMED BY THE END USER, PRIOR TO LIGHTING THIS BBQ.



Visit **www.masterchefbbqs.com**
to complete product registration

Master Chef® Customer Service
1-855-453-2150