



# E480 Barbecue Assembly Manual

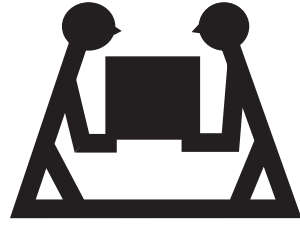
---

85-3040-4 (G45301) Propane  
85-3041-2 (G45302) Natural Gas

**1 YEAR LIMITED WARRANTY**

**READ AND SAVE MANUAL FOR FUTURE REFERENCE.  
If pre-assembled, leave this manual with unit for  
consumer's future reference.**

**For product inquiries, parts, warranty and  
troubleshooting support, please call 1-877-707-5463.**



**HEAVY ARTICLE NEEDS 2 TO LIFT**

**THIS MANUAL MUST REMAIN WITH THE PRODUCT AT ALL TIMES**

To ORDER non-warranty replacement parts or accessories, or to register your warranty, please visit us on the web at [www.masterchefbbqs.com](http://www.masterchefbbqs.com)

**CAUTION**

Sharp edges. Wear gloves when assembling your grill.

**CAUTION**

Read and follow all safety statements, assembly instructions, and use and care directions before attempting to assemble and cook.

**INSTALLER OR ASSEMBLER/CONSUMER**

This manual should be kept with the BBQ at all times.

**WARNING**

Failure to follow all of the Manufacturer's instructions could result in hazardous fires, explosions, property damage, or serious personal injury or even death.

Follow all leak check procedures carefully prior to operation of barbecue, even if grill was dealer assembled. Do not try to light this barbecue without reading the Lighting Instructions section of this manual.

**DANGER**

1. If you smell Gas:
  - a. Shut off gas to the appliance
  - b. Extinguish any open flame
  - c. Open lid
  - d. If odor continues, keep away from the appliance and immediately call your gas supplier or your fire department
2. Do not store or use gasoline or other flammable vapours and liquids in the vicinity of this or any other appliance.
3. An LP cylinder not connected for use shall not be stored in the vicinity of this or any other appliance.
4. Requires two people to complete the assembly process.
5. Beware of sharp edges.

**THIS BARBECUE IS FOR OUTDOOR USE ONLY**

**CONTACT CALL CENTRE IF ANY PARTS ARE MISSING**

**1-877-707-5463**

**HARDWARE PACK**

**TOOLS NEEDED FOR ASSEMBLY**

- #2 Phillips screwdriver (long and short)
- ¼" Slotted screwdriver (long and short)
- Adjustable wrench
- Pliers

Before assembling the barbecue, read these instructions carefully.

Assemble the barbecue on a flat, clean surface. Grill is heavy. You should have at least two people assemble the barbecue together.

**Notes: Do not fully tighten all the nuts during this initial stage.**

KEY #	DESCRIPTION	PART NUMBER	QUANTITY
1	¼"-20UNCX38 Screw	20120-13038-250	8
2	¼"-20UNCX18 Screw	20120-13018-250	8
3	¼"-20UNCX13 Screw	20120-13013-250	6
4	¼" Nut	30220-13000-250	4
5	φ7 Lock Washer	41400-07000-250	18
6	φ7 Washer	40300-07000-250	22
7	NO.10-24UNCX10 Screw	20124-10010-250	4
8	φ5 Lock Washer	41400-05000-250	4
9	φ5 Washer	40300-05000-250	7
10	M4 Wing Nut	33301-04000-032	1
11	ST4.2X10 Tapping Screw	22500-42010-137	7
12	Fiber Washer	G431-0018-9000	4
13	Control knob	G519-2500-9000	1
14	Castor Pin	G350-0026-9000	1

**Caution:** Sheet metal can cause injury. Wear gloves when installing the grill.

1



¼"-20UNCX38 Screw  
X 8

2



¼"-20UNCX18 Screw  
X 8

3



¼"-20UNCX13 Screw  
X 6

4



¼" Nut  
X 4

5



φ7 Lock Washer  
X 18

6



φ7 Washer  
X 22

7



NO.10-24UNCX10 Screw  
X 4

8



φ5 Lock Washer  
X 4

9



φ5 Washer  
X 7

10



M4 Wing Nut  
X 1

11



ST4.2X10 Tapping Screw  
X 7

12



Fiber Washer  
X 4

13



Control knob  
X 1

14

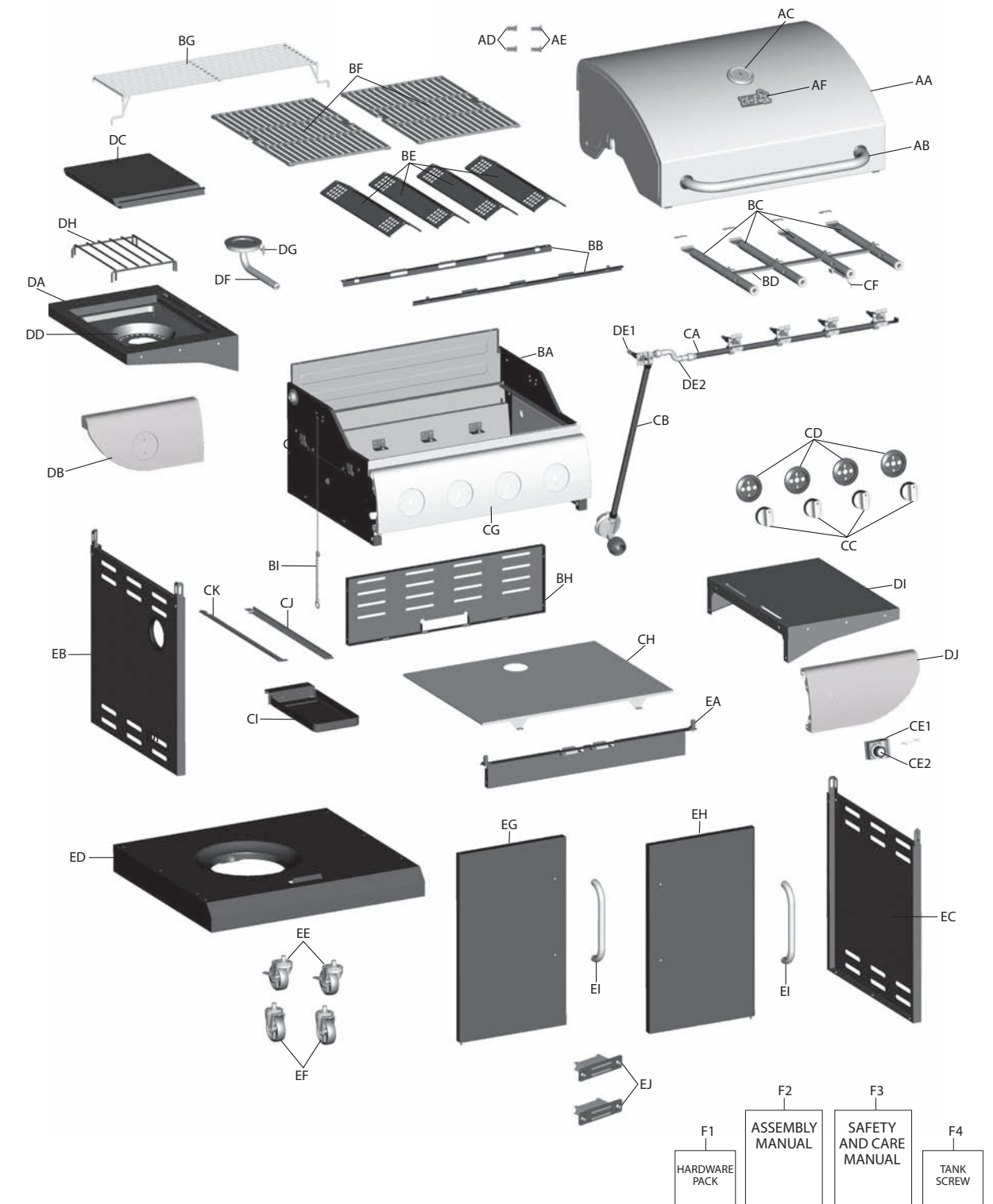


Castor Pin  
X 1

## PARTS LIST (PROPANE) FOR 85-3040-4 (G45301)

KEY #	QUANTITY	DESCRIPTION	PART NO.
AA	1	Top lid	G453-2000-01
AB	1	Lid handle	G513-0004-01
AC	1	Thermometer	G432-R200-01
AD	2	Screw for top lid	G433-0002-01
AE	2	Lid bumper	G508-0063-01
AF	1	Logo plate	G451-0001-01
BA	1	Burner box assembly	G453-3100-01
BB	2	Brace, flame tamer	G453-0004-01
BC	4	Main burner	G517-7300-01
BD	3	Carryover assembly	G614-0095-01
BE	4	Flame tamer	G453-0020-01
BF	2	Cooking grate	G453-0019-01
BG	1	Warming rack	G453-0018-01
BH	1	Upper back panel	G453-0010-01
BI	1	Match holder	G501-0068-01
CA	1	Manifold assembly-LP	G453-3300-01
CB	1	Regulator	G606-0008-01
CC	4	Control knob	G519-2500-01
CD	4	Bezel, control knob	G501-0031-01
CE1	1	Electronic igniter assembly	G453-0009-01
CE2	1	Electronic ignition button	G512-0070-01
CF	1	Electrode set, main burner	G515-0067-01
CG	1	Control panel	G453-0008-01
CH	1	Heat shield	G453-0011-01
CI	1	Grease tray	G350-4400-01
CJ	1	Right track	G453-0013-01
CK	1	Left track	G453-0012-01
DA	1	Side burner shelf table - Left	G453-0600-01
DB	1	Side burner shelf fascia - Left	G453-0021-01
DC	1	Side burner lid	G501-0070-01
DD	1	Side burner drip pan	G515-0083-01
DE1	1	Side burner valve-LP	G453-0007-01
DE2	1	Side burner metal hose	G608-0039-01
DF	1	Side burner	G453-3400-01
DG	1	Side burner electrode wire	G515-0039-01
DH	1	Side burner cooking grate	G501-0077-01
DI	1	Side burner shelf table - Right	G453-0700-01
DJ	1	Side burner shelf fascia - Right	G453-0022-01
EA	1	Door support rail	G453-5000-01
EB	1	Cart side panel-Left	G453-0300-01
EC	1	Cart side panel-Right	G453-0400-01
ED	1	Bottom shelf-LP	G453-0500-01
EE	2	Locking castor	G350-0023-01
EF	2	Castor	G350-0024-01
EG	1	Left door assembly	G453-6000-01
EH	1	Right door assembly	G453-7000-01
EI	2	Door handle	G517-0011-01
EJ	2	Magnet assembly	G501-0016-01
F1	1	Hardware pack	G453-B001-01
F2	1	Assembly instructions	G453-M001-01
F3	1	Safe use and care manual	G453-M001-02
F4	1	Tank screw	G505-0047-01

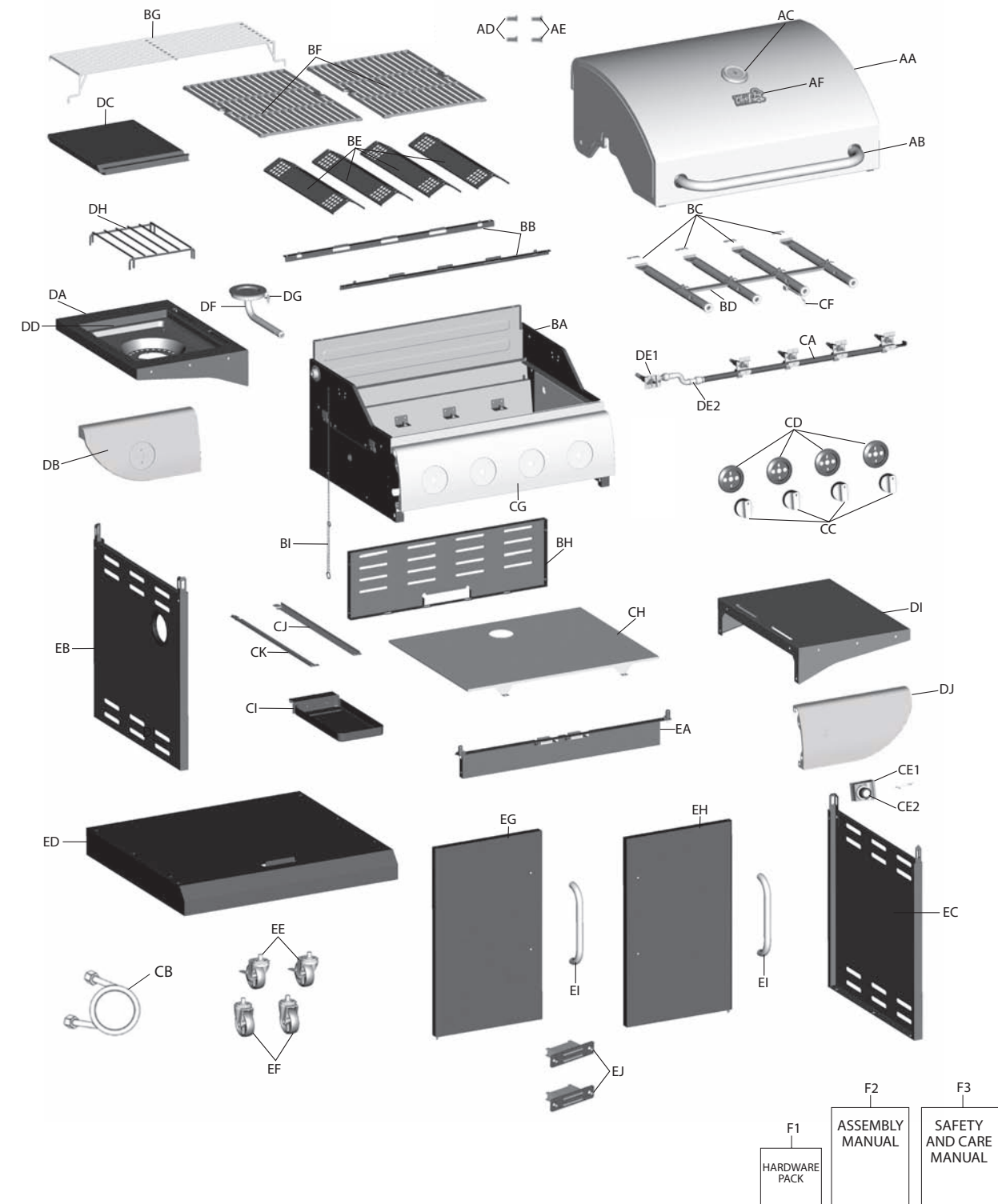
## EXPLODED DIAGRAM (PROPANE) FOR 85-3040-4 (G45301)



## PARTS LIST (NATURAL GAS) FOR 85-3041-2 (G45302)

KEY #	QUANTITY	DESCRIPTION	PART NO.
AA	1	Top lid	G453-2000-01
AB	1	Lid handle	G513-0004-01
AC	1	Thermometer	G432-R200-01
AD	2	Screw for top lid	G433-0002-01
AE	2	Lid bumper	G508-0063-01
AF	1	Logo plate	G451-0001-01
BA	1	Burner box assembly	G453-3100-01
BB	2	Brace, flame tamer	G453-0004-01
BC	4	Main burner	G517-7300-01
BD	3	Carryover assembly	G614-0095-01
BE	4	Flame tamer	G453-0020-01
BF	2	Cooking grate	G453-0019-01
BG	1	Warming rack	G453-0018-01
BH	1	Upper back panel	G453-0010-01
BI	1	Match holder	G501-0068-01
CA	1	Manifold assembly-NG	G453-3700-01
CB	1	Natural gas hose	G501-0099-01
CC	4	Control knob	G519-2500-01
CD	4	Bezel, control knob	G501-0031-01
CE1	1	Electronic igniter assembly	G453-0009-01
CE2	1	Electronic ignition button	G512-0070-01
CF	1	Electrode set, main burner	G515-0067-01
CG	1	Control panel	G453-0008-01
CH	1	Heat shield	G453-0011-01
CI	1	Grease tray	G350-4400-01
CJ	1	Right track	G453-0013-01
CK	1	Left track	G453-0012-01
DA	1	Side burner shelf table - Left	G453-0600-01
DB	1	Side burner shelf fascia - Left	G453-0021-01
DC	1	Side burner lid	G501-0070-01
DD	1	Side burner drip pan	G515-0083-01
DE1	1	Side burner valve-NG	G453-0024-01
DE2	1	Side burner metal hose	G608-0039-01
DF	1	Side burner	G453-3400-01
DG	1	Side burner electrode wire	G515-0039-01
DH	1	Side burner cooking grate	G501-0077-01
DI	1	Side burner shelf table - Right	G453-0700-01
DJ	1	Side burner shelf fascia - Right	G453-0022-01
EA	1	Door support rail	G453-5000-01
EB	1	Cart side panel-Left	G453-0300-01
EC	1	Cart side panel-Right	G453-0400-01
ED	1	Bottom shelf-NG	G453-1000-01
EE	2	Locking castor	G350-0023-01
EF	2	Castor	G350-0024-01
EG	1	Left door assembly	G453-6000-01
EH	1	Right door assembly	G453-7000-01
EI	2	Door handle	G517-0011-01
EJ	2	Magnet assembly	G501-0016-01
F1	1	Hardware pack	G453-B001-01
F2	1	Assembly instructions	G453-M001-01
F3	1	Safe use and care manual	G453-M001-02

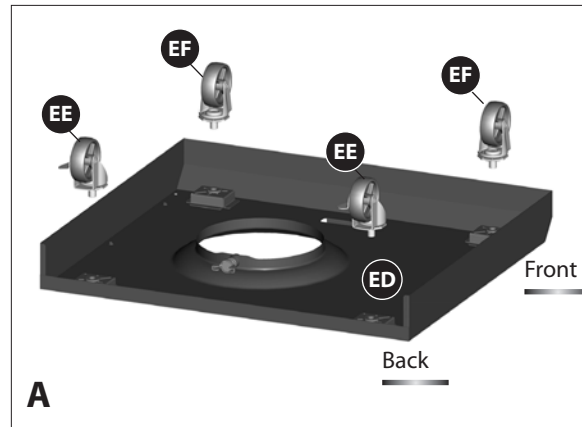
## EXPLODED DIAGRAM (NATURAL GAS) FOR 85-3041-2 (G45302)



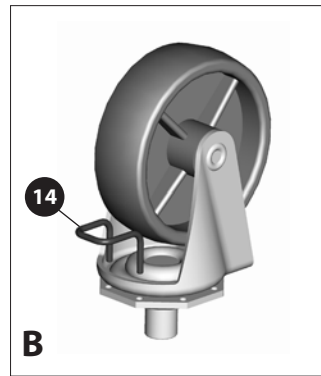


# ASSEMBLY INSTRUCTIONS

1



Upside down view



Close Up

Separate the 2 different types of castors: 2 Locking Castors (EE) and 2 Regular Castors (EF).

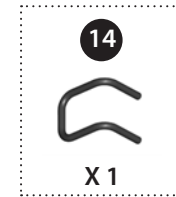
To tighten castors insert the Pin (#14) into one of the Regular Castors (EF), as shown in image B.

Attach the Regular Castor (EF) to the front of the Bottom Shelf (ED), and use the Pin (#17) to secure and tighten.

Repeat for remaining 3 castors (EE & EF).

**Note: Regular Castors (EF) need to be assembled to the front of the Bottom Shelf (ED), and Locking Castors (EE) need to be assembled to the back of the Bottom Shelf (ED), as shown in image A.**

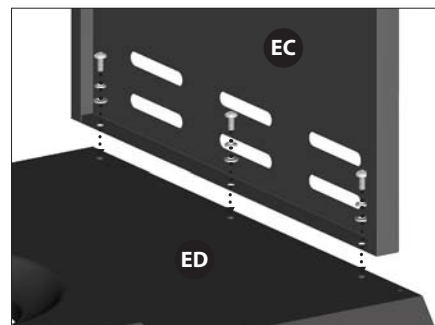
YOU WILL NEED:



2



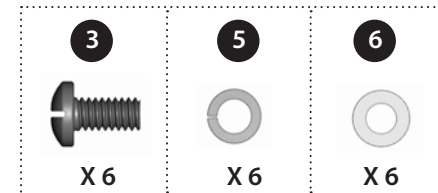
Front view



Close Up

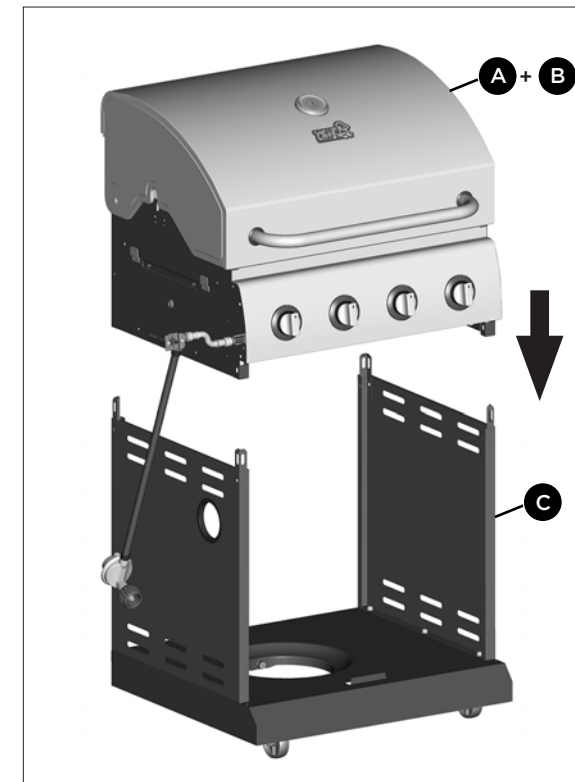
Ensure that the Locking Castors (EE) are firmly locked in the "ON" position before continuing. Assemble the Left Side Panel (EB) and the Right Side Panel (EC), to the Bottom Shelf (ED).

YOU WILL NEED:



# ASSEMBLY INSTRUCTIONS

3

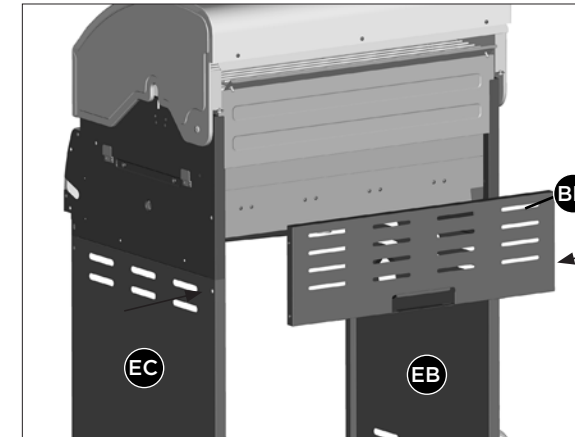


Front View

**THIS STEP REQUIRES 3 PEOPLE. DO NOT ATTEMPT ALONE. EXTREMELY HEAVY!**

Position the Top Lid Assembly and Burner Box Assembly (A & B) onto the Cart Assembly (C), as shown.

4

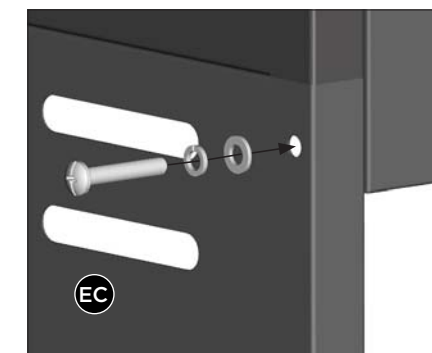
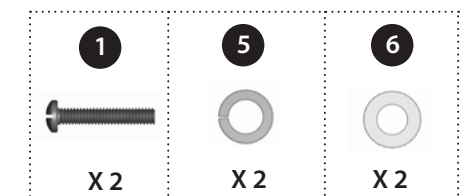


Back View

Attach the Upper Back Panel (BH) to both the Left And Right Side Panels (EB & EC).

**Attention:** Assembly of the Upper Back Panel (BH) will be completed in Step 6 and 7.

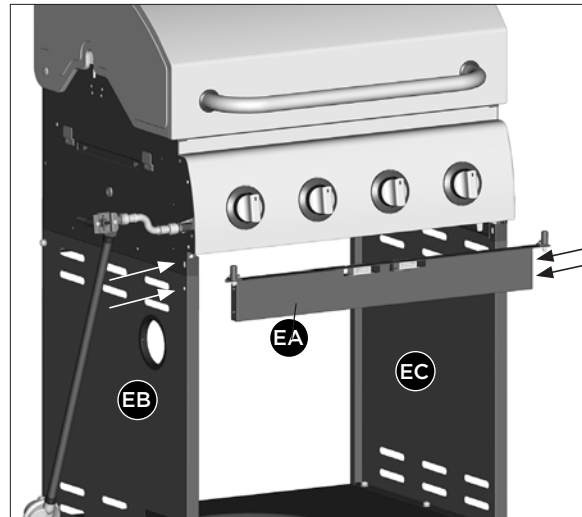
YOU WILL NEED:



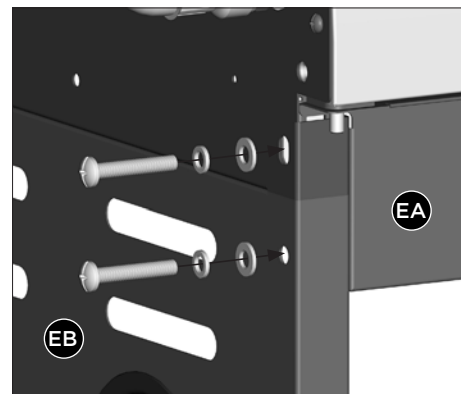
Close Up

# ASSEMBLY INSTRUCTIONS

## 5



Front View

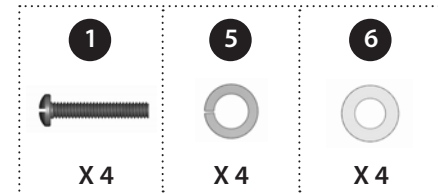


Close Up

Assemble the Door Support Rail (EA) to the Left and Right Upper Side Panels (EB and EC), as shown.

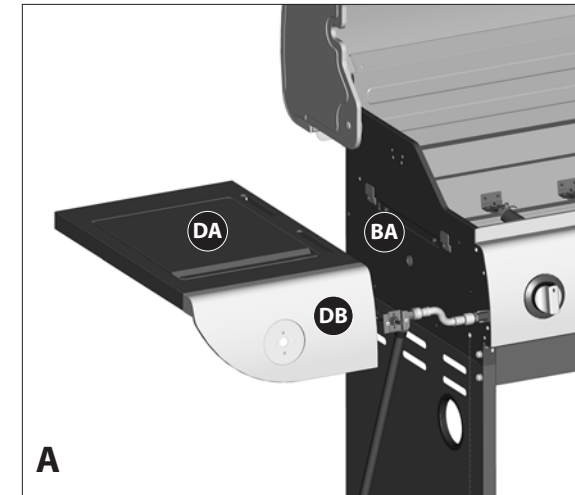
**WARNING: This part may have sharp edges. Wear protective gloves when assembling.**

YOU WILL NEED:

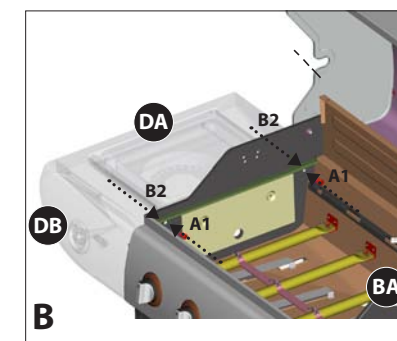


# ASSEMBLY INSTRUCTIONS

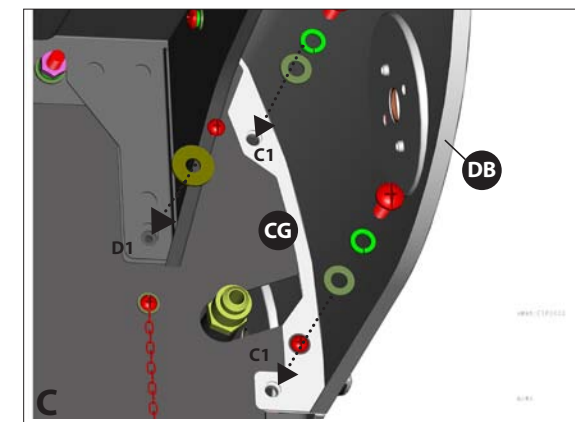
## 6



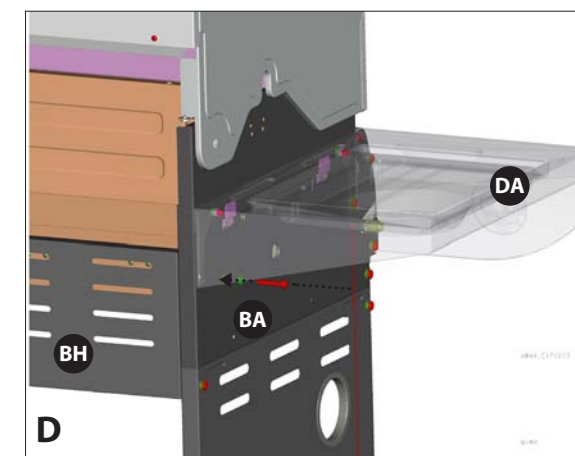
Front, left side view



View inside burner box



Front, Left side view



Back, Left side view

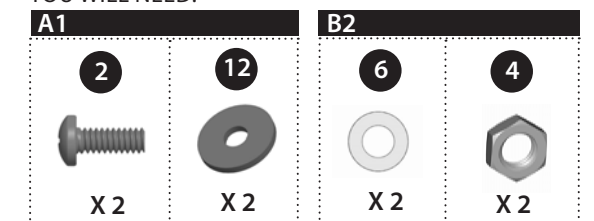
## LEFT SIDE SHELF ASSEMBLY

**TIP: Do not tighten until all hardware is in place.**

a. Mount the left side burner side shelf (DA and DB) onto the two support brackets, located on the left, upper side panel of the burner box (BA).

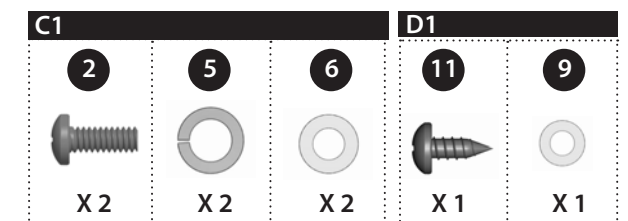
b. Assemble the left side burner side shelf (DA and DB) to the upper side panel of the burner box (BA), by positioning hardware through the interior of the burner box (BA), as shown in figure B.

YOU WILL NEED:



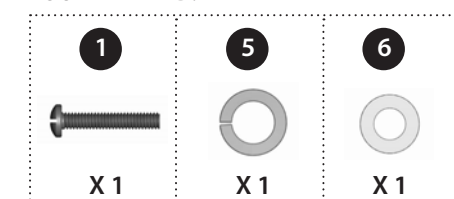
c. Assemble the front of the left side burner side shelf assembly (DA and DB) to the control panel (CG), as shown in figure C.

YOU WILL NEED:



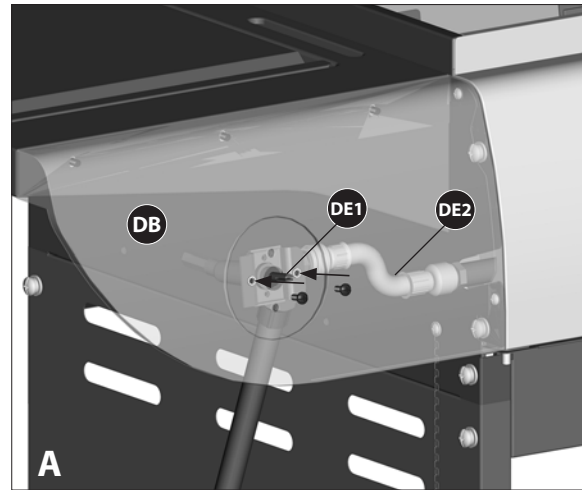
d. Complete the left side burner side shelf assembly (DA and DB) by connecting the side shelf, the rear of the Burner Box side panel (BA), and the Upper Back Panel (BH), as shown in figure D.

YOU WILL NEED:



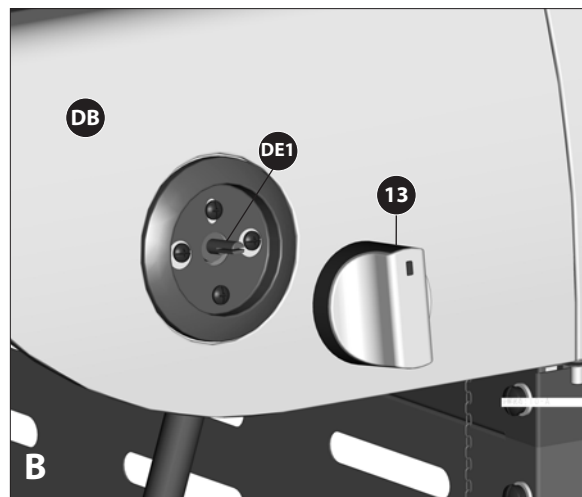
## ASSEMBLY INSTRUCTIONS

# 7



- a. Remove the hardware that is pre-assembled to the Side Burner Valve (DE1), as shown in figure A

Assemble the Side Burner Valve (DE1) to the Left Side Shelf Fascia (DB), using the hardware removed.



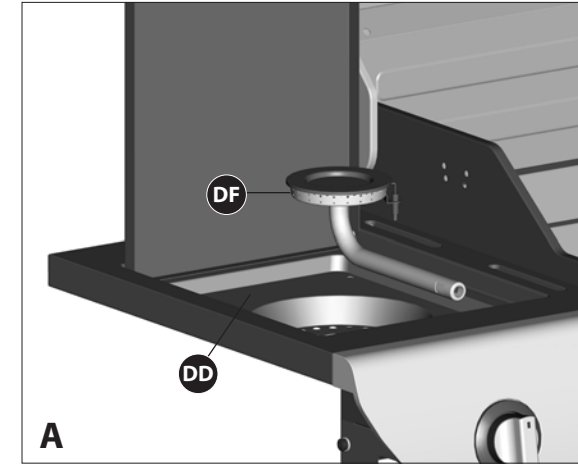
- b. Assemble the Side Burner Control Knob (#15) to the Side Burner Valve (DE1).

YOU WILL NEED:



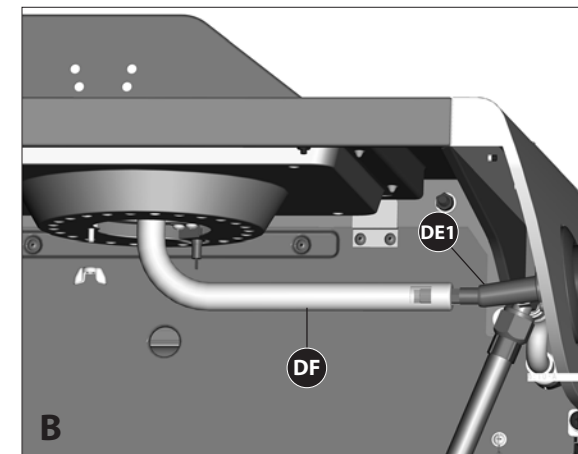
## ASSEMBLY INSTRUCTIONS

# 8



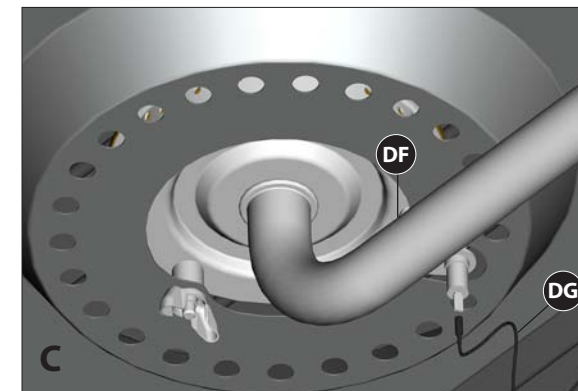
- a. Position the Side Burner (DF) through the opening in the Left Side Burner Drip Pan (DD).

YOU WILL NEED:

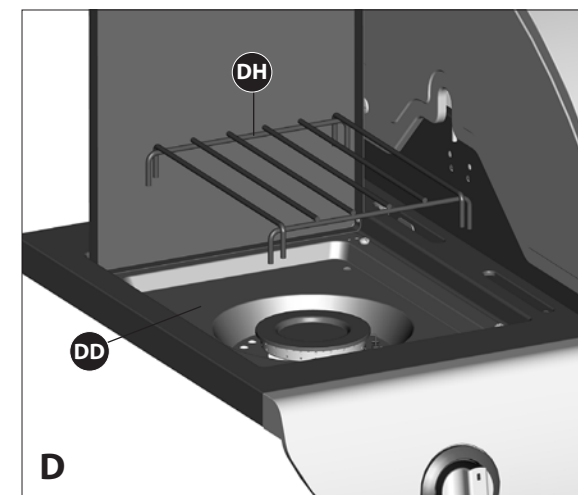


Left side view

- b. Make sure that the Side Burner (DF) engages the Side Burner Valve (DE1) as shown in figure B.

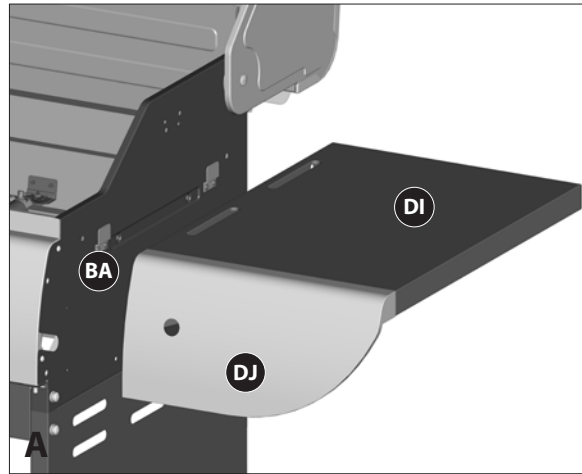


- c. Attach the end of the Side Burner Electrode Wire (DG) to the underside of the Side Burner Electrode (DF), as shown. Ensure that the wire is pushed in firmly.



- d. Position the side burner cooking grate (DH) onto the side burner drip pan (DD).

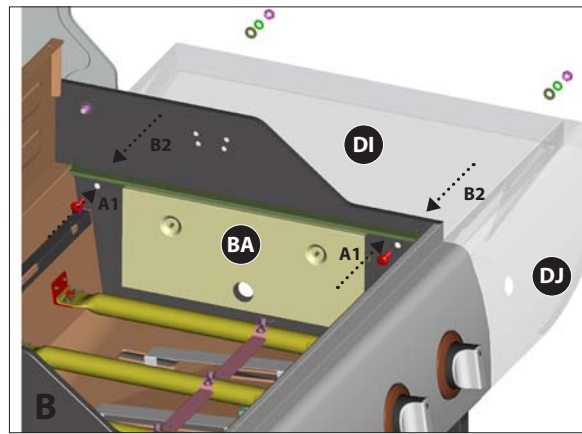
9



**RIGHT SIDE SHELF ASSEMBLY**

**TIP: Do not tighten until all hardware is in place.**

a. Mount the right side shelf (DI and DJ) onto the two support brackets, located on the right, upper side panel of the burner box (BA)

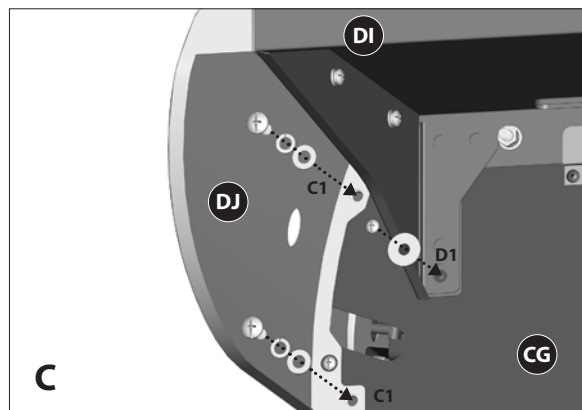


b. Assemble the right side shelf (DI and DJ) to the upper side panel of the burner box (BA), by positioning hardware through the interior of the burner box, as shown in figure B.

YOU WILL NEED:

A1		B2	
2	12	6	4
X 2	X 2	X 2	X 2

c. Assemble the front of the right side shelf (DI and DJ) to the control panel (CG), as shown in figure C.



View, under right side shelf

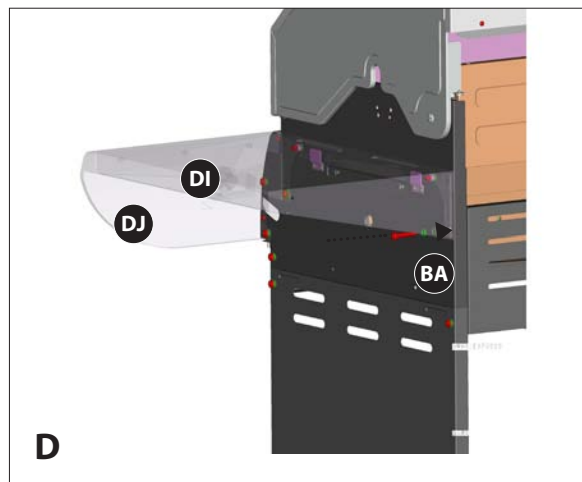
YOU WILL NEED:

C1			D1	
2	5	6	11	9
X 2	X 2	X 2	X 1	X 1

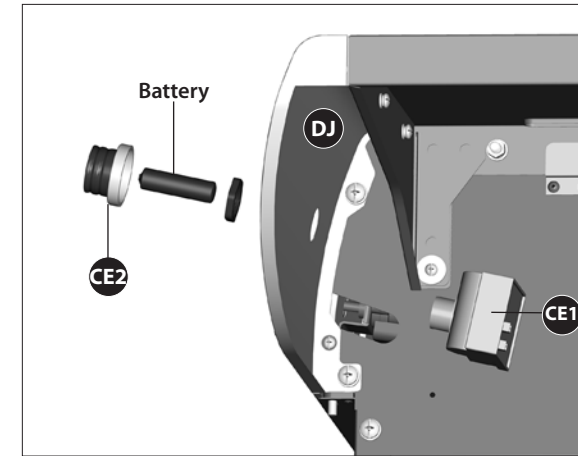
d. Complete the right side burner side shelf assembly (DI and DJ) by connecting the side shelf, the rear of the Burner Box side panel (BA), and the Upper Back Panel (BH), as shown in figure D.

YOU WILL NEED:

1	5	6
X 1	X 1	X 1

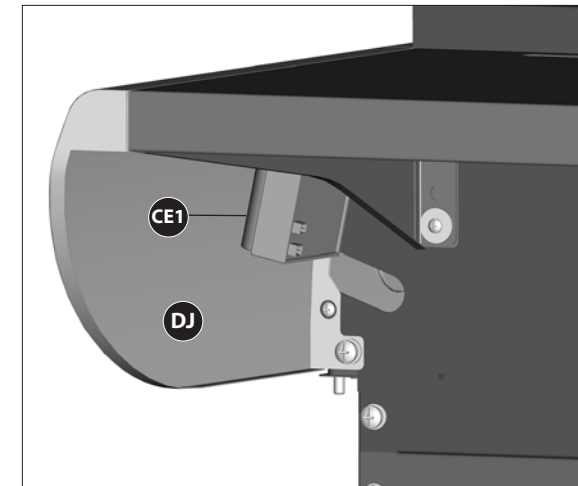


10



**ELECTRONIC IGNITION ASSEMBLY**

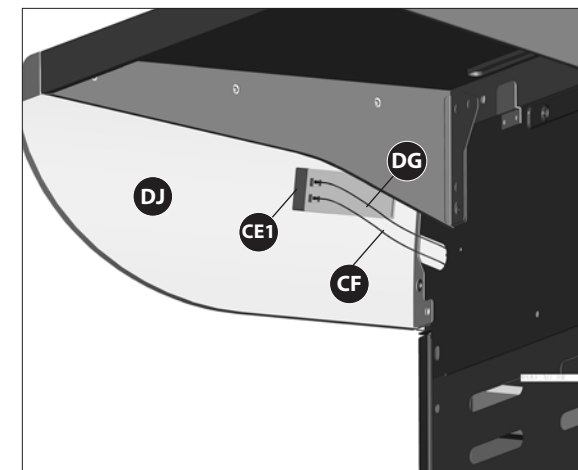
a. Remove the Ignition Battery Cover (CE2) and the plastic nut from the Electronic Ignition Box (CE1)



b. Position the Electronic Ignition Box (CE1) through the opening in the Right Side Shelf Fascia (DJ) and secure using the nut.

c. Insert one "AA" battery into the battery compartment (CE1) with the positive end facing outward, as shown. Secure using the ignition button cover (CE2).

**\* Battery not included.**



Underneath right side shelf

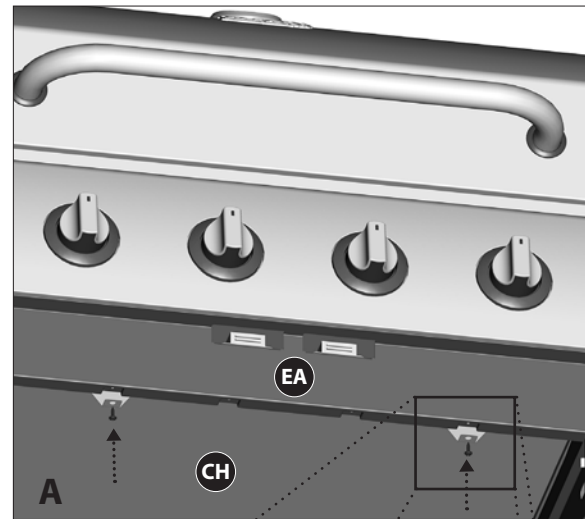
d. Insert the Electrode Set, Main Burner Wire (CF) and the Electrode, Side Burner Wire (DG) into the Electronic Ignition Assembly (CE1) as shown. Ensure that the wire is pushed in firmly.

**Note: Both wire connectors are the same.**

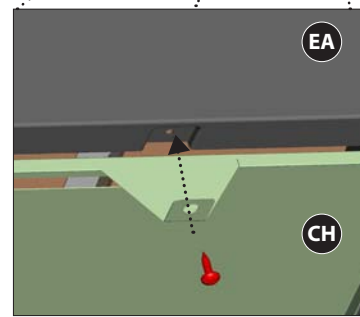


# ASSEMBLY INSTRUCTIONS

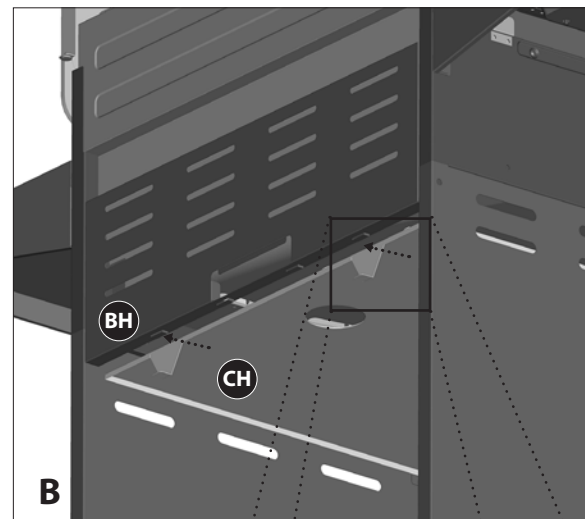
## 11



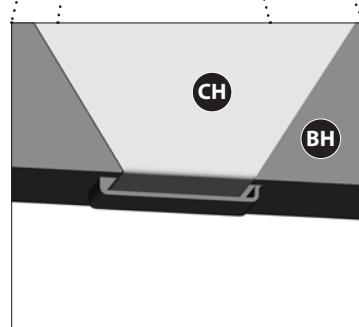
Front view



Close up



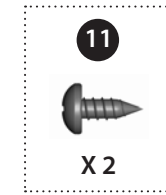
Back view



Close up

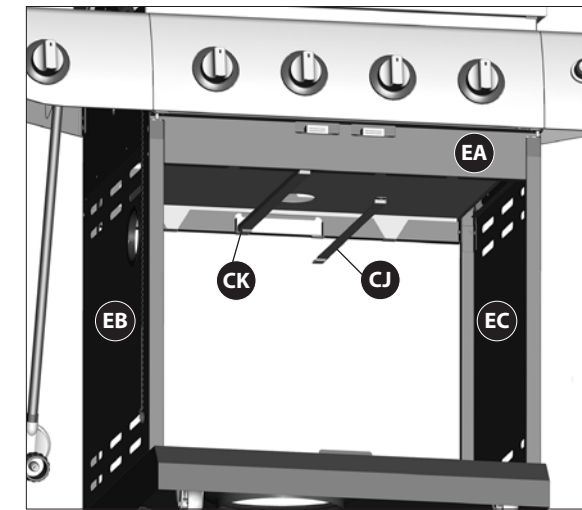
Assemble the Heat Shield (CH) to the bottom of the Door Support Rail (EA) and the Upper back panel (BH), as shown in figure A and B.

YOU WILL NEED:



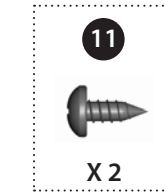
# ASSEMBLY INSTRUCTIONS

## 12

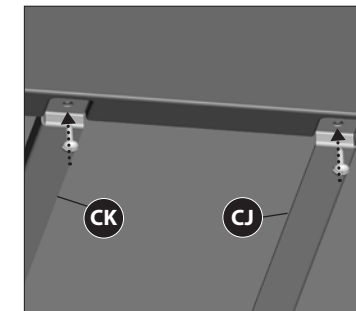


a. Assemble the Left and Right Tracks (CJ and CK) for the Grease Tray (CI), as shown in figure A.

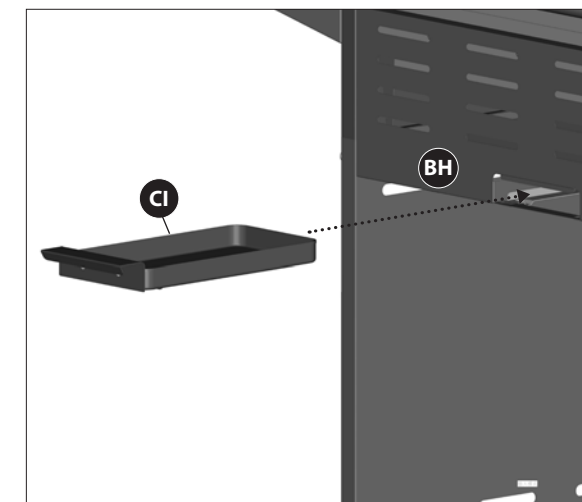
YOU WILL NEED:



Close up, back



Close up, front

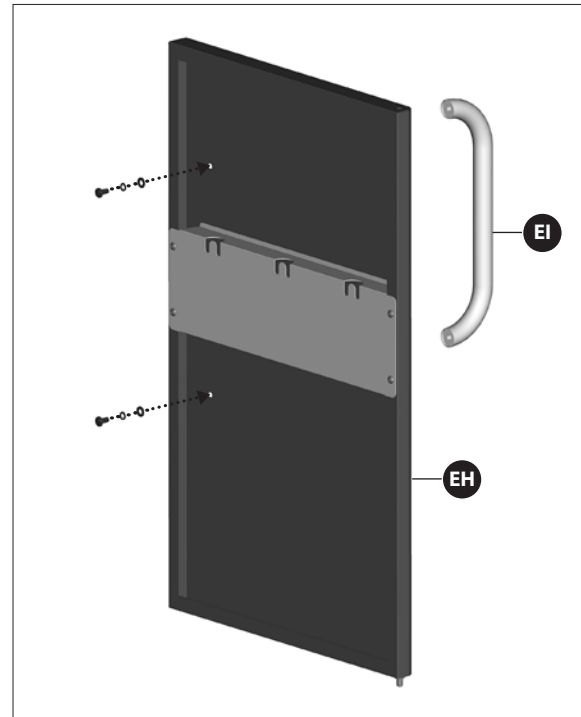


Back view

b. Insert the Grease Tray (CI) into the opening of the Upper Back Panel (BH).

# ASSEMBLY INSTRUCTIONS

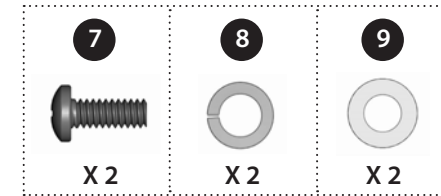
## 13



Assemble the Door Handle (EI) to the Left and Right Door Assembly (EG and EH).

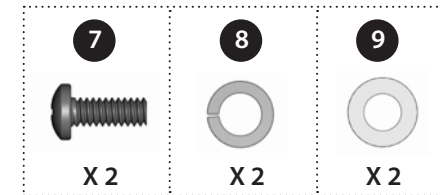
### Left door handle

YOU WILL NEED:



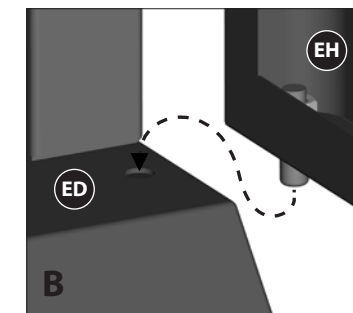
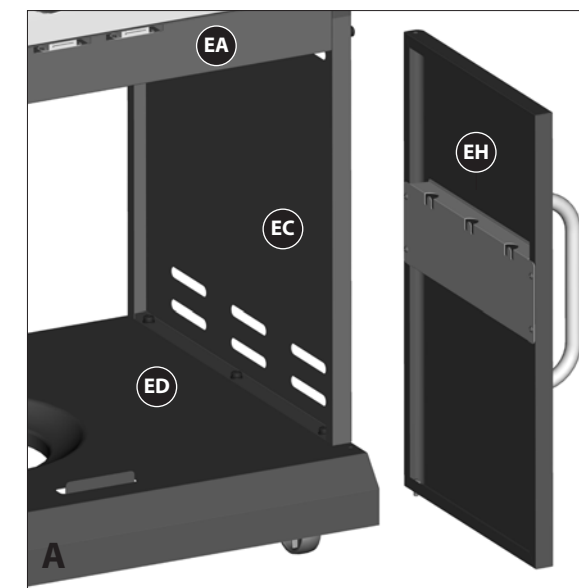
### Right door handle

YOU WILL NEED:

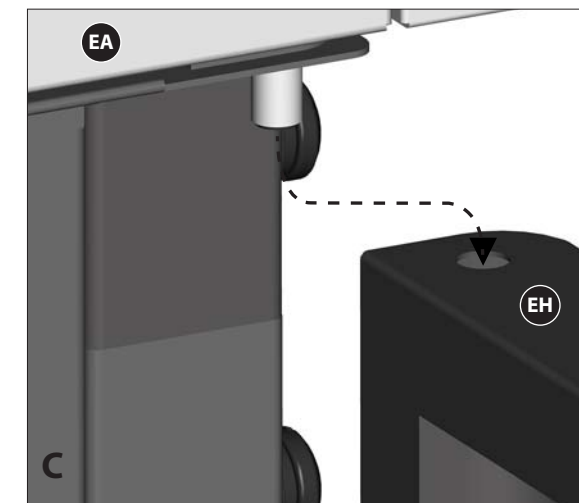


# ASSEMBLY INSTRUCTIONS

## 14



Close up



a. Assemble the right door assembly (EH), to the bottom shelf (ED) by inserting the fixed pin (bottom of door) into the hole provided (figure B).

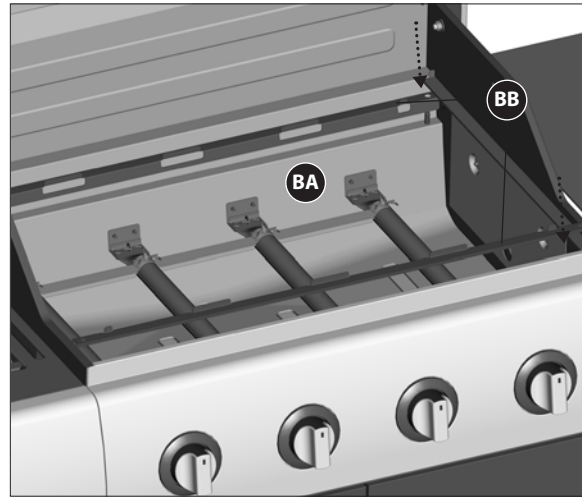
b. Assemble the top of the door assembly (EH) to the door support rail (EA), by pressing in the door support pin and aligning with the hole located on the top right corner of the door (figure C).

**TIP: Use a paint scraper to press-in the support pin, while the second person aligns the door. The support pin will lock into position when the door is assembled correctly.**

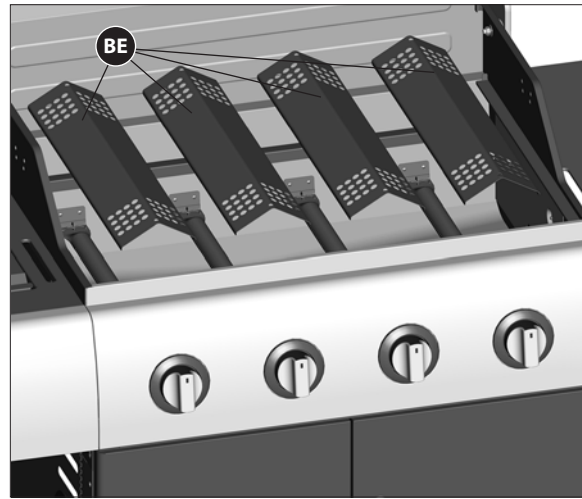
c. Repeat steps a, and b for the left door assembly (EG).

## ASSEMBLY INSTRUCTIONS

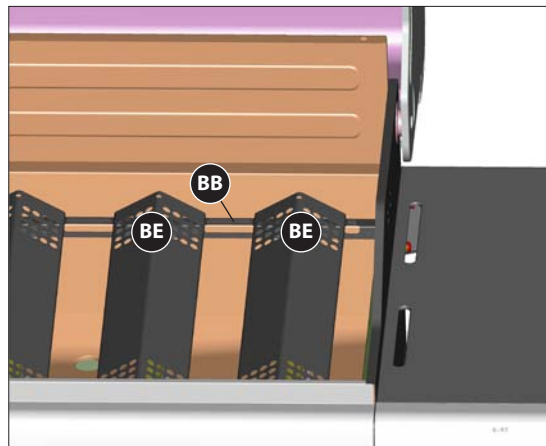
15



a. Position the Flame Tamer support braces (BB) over the Burner Box support pins (BA) as shown.



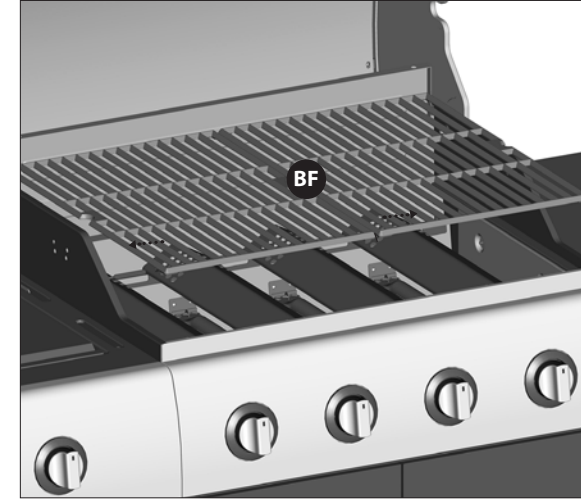
b. Position the Flame Tamers (BE) into the Burner Box (BA).



Close up

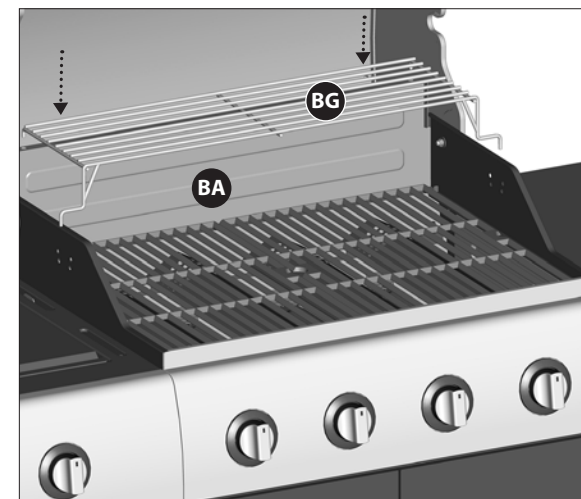
## ASSEMBLY INSTRUCTIONS

16



Place the cooking grates (BF) into the burner box (BA).

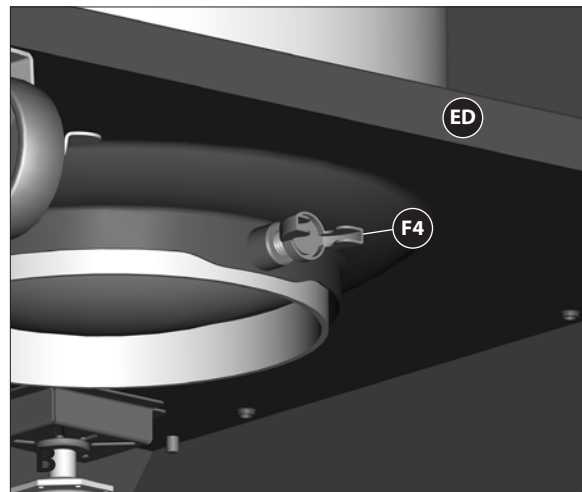
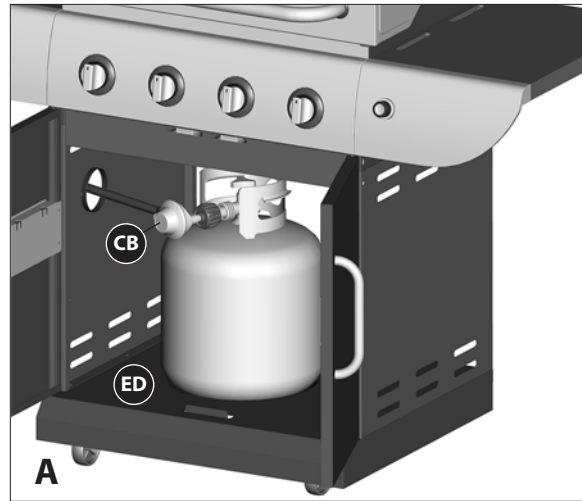
17



Insert the two small positioning rods of the warming rack (BG) into the rear panel of the burner box (BA).

## ASSEMBLY INSTRUCTIONS

# 18



### FOR PROPANE MODEL ONLY

#### FOR NATURAL GAS MODEL, FOLLOW STEP 19.

- Position the 20 lb propane tank onto the Bottom Shelf (ED), and secure using the bolt (already attached).
- Attach the Regulator coupling nut (CB) to the LP cylinder valve.

**⚠ ATTENTION ⚠**  
**FOR YOUR SAFETY, DO NOT ATTEMPT TO LIGHT THIS BBQ UNTIL YOU HAVE REVIEWED PAGES 4-7 OF THE MASTER CHEF® SAFETY & CARE MANUAL.**

**ALL SAFETY AND LEAK TESTS MUST BE PERFORMED BY THE END USER, PRIOR TO LIGHTING THIS BBQ.**

**⚠ ATTENTION ⚠**  
**DO NOT STORE EXTRA PROPANE TANKS WITHIN BBQ CART.**

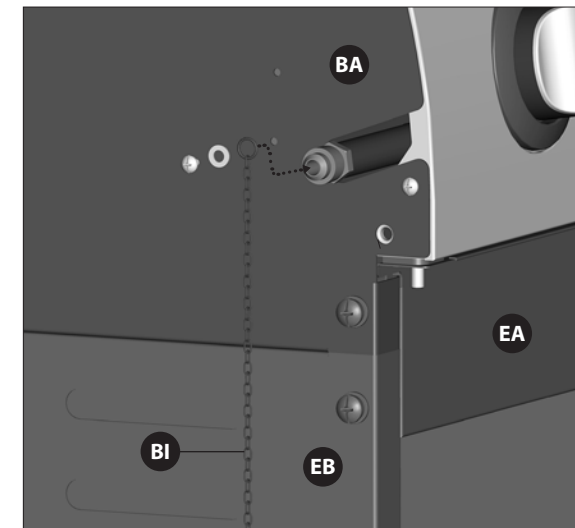
### FOR NATURAL GAS MODEL ONLY

Attach the Natural Gas Hose (CB) to the Side Burner Valve (DE1) as shown.

**⚠ ATTENTION ⚠**  
**In order to complete installation of your Natural Gas BBQ a 1/2" or 3/8" adapter may be required to connect your BBQ's Natural Gas hose to your home gas supply. Contact your Natural Gas supplier to purchase the necessary part.**

## ASSEMBLY INSTRUCTIONS

# 20



Attach the Match Holder (BI) to the left side panel of the Burner Box Assembly.

YOU WILL NEED:

