

MASTER
Chef^{TM/MC}



**DISCOVER 5-BURNER
PROPANE BARBECUE**
Assembly Manual

085-0205-2 / G49301
1 YEAR LIMITED WARRANTY

READ AND SAVE MANUAL FOR FUTURE REFERENCE.

Assemble your grill immediately.
Missing or damaged parts claims must be submitted within 30 days of purchase date.

**For product inquiries, parts, warranty and troubleshooting support,
please call 1-855-453-2150.**

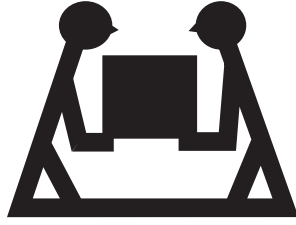


CSA/ANSI Z21.58-2022 / CSA 1.6-2022
Outdoor Cooking Gas Appliances



CSA/ANSI Z21.58-2022 / CSA 1.6-2022
Outdoor Cooking Gas Appliances

Master No. 211648
Manual Revision #: 2023.11.03 MK



HEAVY ARTICLE: NEEDS 2 TO LIFT

THIS MANUAL MUST REMAIN WITH THE PRODUCT AT ALL TIMES.

To order non-warranty replacement parts or accessories, or to register your warranty, please visit us at

www.masterchefbbqs.com

⚠ CAUTION

Sharp edges. Wear gloves when assembling your grill.

⚠ CAUTION

Read and follow all safety statements, assembly instructions, use and care directions before attempting to assemble and cook.

⚠ INSTALLER OR ASSEMBLER/CONSUMER

This manual should be kept with the barbecue at all times.

⚠ WARNING

Failure to follow all of the manufacturer's instructions could result in hazardous fires, explosions, property damage, serious personal injury or even death.

Follow all leak check procedures carefully prior to operation of barbecue, even if grill was dealer assembled. Do not try to light this barbecue without reading the Lighting Instructions section of this manual.

⚠ DANGER

1. If you smell gas:
 - a. Shut off gas to the appliance.
 - b. Extinguish any open flame.
 - c. Open lid.
 - d. If odour continues, keep away from the appliance and immediately call your gas supplier or your fire department.
 2. Requires two people to complete the assembly process.
 3. Beware of sharp edges.
-

⚠ WARNING

1. Do not store or use gasoline or other flammable liquids or vapours in the vicinity of this or any other appliance.
 2. An LP cylinder not connected for use must not be stored in the vicinity of this or any other appliance.
-

⚠ WARNING

IN DIRECT SUNLIGHT, AND IN OPERATION, YOUR BARBECUE'S STAINLESS STEEL AND PAINTED STEEL PARTS CAN BECOME VERY HOT.

THIS BARBECUE IS FOR OUTDOOR USE ONLY.

CONTACT CALL CENTRE IF ANY PARTS ARE MISSING.

1-855-453-2150

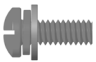









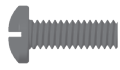
HARDWARE PACK

TOOLS NEEDED FOR ASSEMBLY

- #2 Star-head screwdriver (long and short)
- ¼" Slotted screwdriver (long and short)
- Adjustable wrench
- Pliers

KEY #	DESCRIPTION	PART NUMBER	QUANTITY
1	1/4" x 18 Screw Assembly	G560-3900-9091	2
2	φ6.5 Aluminum Washer	G466-0042-9000	6
3	1/4" - 20UNC X 13 Screw	20120-13013-036	38
4	NO.10 - 24UNC X 13 Screw	20124-10013-036	6
5	ST4.2 X 8 Tapping screw	24200-42008-136	12
6	NO.10 - 24UNC X 23 Screw	20124-10023-036	2
7	NO.10 - 20UNC Nut	31224-10000-036	2
8	Axle Spacer	G426-0008-9088	2
9	Hitch Pin	G306-0005-9088	2
10	Washer (Wheel)	40300-08000-036	2
11	NO.5 - 40 UNC X 10 Screw	20124-05010-036	3

⚠ Caution:
Sheet metal can cause injury. Wear gloves when installing the grill.

<p>1</p>  <p>1/4" X 18 Screw Assembly X 2</p>	<p>2</p>  <p>φ6.5 Aluminum Washer X 6</p>	<p>3</p>  <p>1/4" - 20UNC X 13 Screw X 38</p>
<p>4</p>  <p>NO.10 - 24UNC X 13 Screw X 6</p>	<p>5</p>  <p>ST4.2 X 8 Tapping Screw X 12</p>	<p>6</p>  <p>NO.10 - 24UNC X 23 Screw X 2</p>
<p>7</p>  <p>NO.10 - 20UNC Nut X 2</p>	<p>8</p>  <p>Axle Spacer X 2</p>	<p>9</p>  <p>Hitch Pin X 2</p>
<p>10</p>  <p>Washer (Wheel) X 2</p>	<p>11</p>  <p>NO.5 - 40 UNC X 10 Screw X 3</p>	

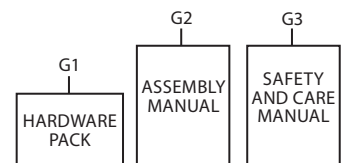
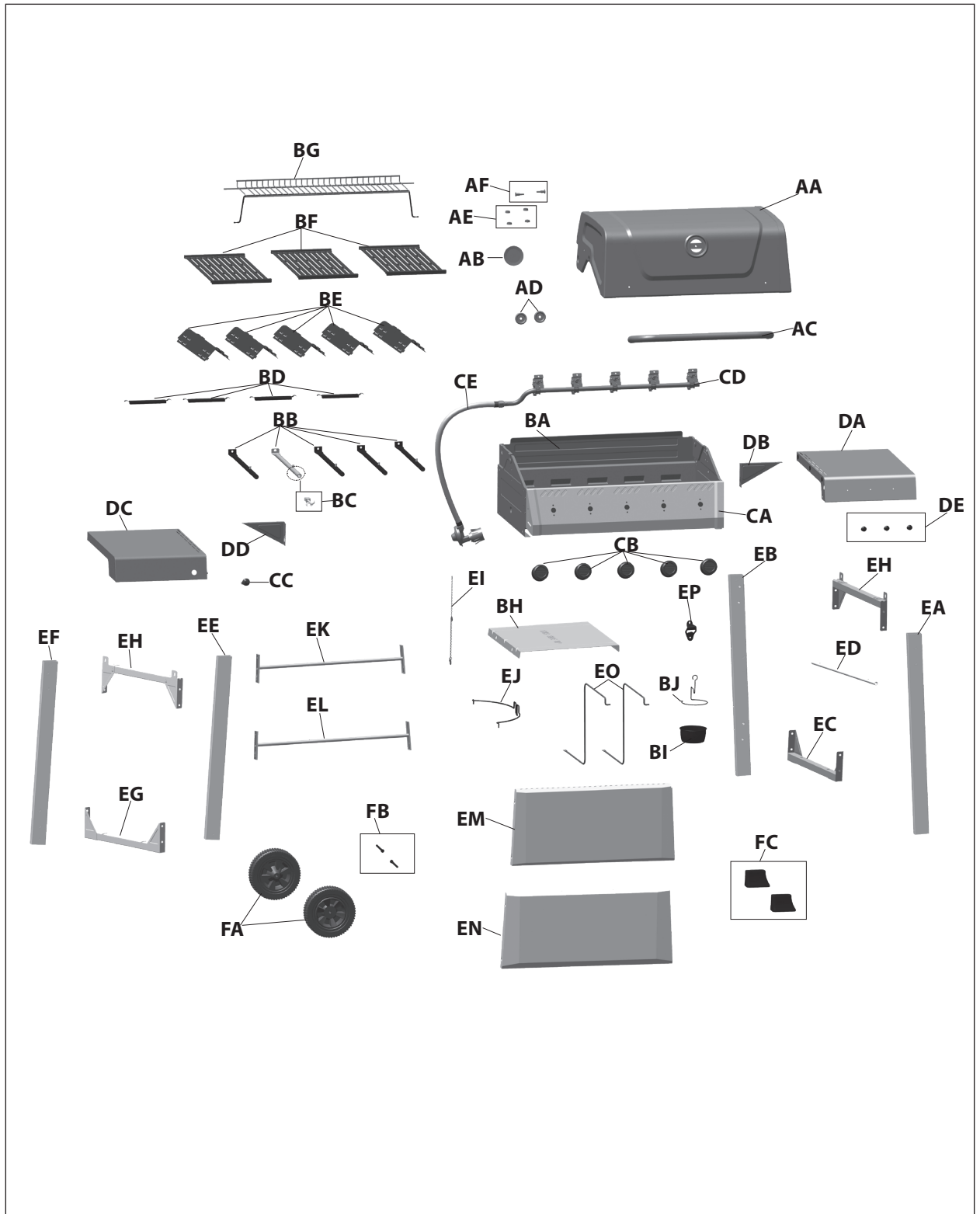
BEFORE ASSEMBLING THIS BARBECUE, READ THE INSTRUCTIONS CAREFULLY.

Assemble the barbecue on a flat, clean surface. The grill is heavy; two people are recommended to complete assembly.

PARTS LIST (PROPANE) FOR 085-0205-2 / G49301

KEY #	QUANTITY	DESCRIPTION	PART NO.
AA	1	Top lid assembly	G493-3400-01
AB	1	Thermometer	G492-0013-01
AC	1	Top lid handle	G492-0012-01
AD	2	Top lid handle bezel	G492-0015-01
AE	4	Lid bumpers	G527-0002-01
AF	2	Top lid screws	G425-0006-01
BA	1	Burner box assembly	G493-0300-01
BB	5	Main burner	G492-0401-01
BC	1	Electrode set, main burner	G492-0008-01
BD	4	Carryover assembly	G426-0003-01
BE	5	Flame tamer	G492-0011-01
BF	3	Cooking grate	G426-0001-01
BG	1	Warming rack	G426-0002-01
BH	1	Heat shield	G426-5502-01
BI	1	Grease cup	G430-0033-01
BJ	1	Grease cup hook	G305-0043-01
CA	1	Control panel	G493-0400-01
CB	5	Control knob	G492-0010-01
CC	1	Ignitor	G451-000D-01
CD	1	Manifold assembly	G493-3300-01
CE	1	Regulator	G425-5702-01
DA	1	Side shelf table, right	G492-1500-01
DB	1	Side shelf support brace, right	G425-5201-01
DC	1	Side shelf table, left	G492-1400-01
DD	1	Side shelf support brace, left	G425-5301-01
DE	3	Tool hook	G429-0007-01
EA	1	Front cart leg with end cap, right	G492-0003-01
EB	1	Rear cart leg with end cap, right	G492-0004-01
EC	1	Lower brace, right	G492-1800-01
ED	1	Tank exclusion wire, right	G492-0018-01
EE	1	Front cart leg with end cap, left	G492-0001-01
EF	1	Rear cart leg with end cap, left	G492-0002-01
EG	1	Lower brace, left	G492-1700-01
EH	2	Upper brace	G492-1600-01
EI	1	Match holder	G401-0079-01
EJ	1	Gas tank support	G492-0017-01
EK	1	Upper back brace	G493-0200-01
EL	1	Lower back brace	G493-0100-01
EM	1	Upper front panel	G493-0002-01
EN	1	Lower front panel	G493-0001-01
EO	2	Tank exclusion wire	G492-0019-01
EP	1	Bottle opener	G492-0014-01
FA	2	Wheel	G437-0037-01
FB	2	Wheel axle	G426-0007-01
FC	2	Feet	G492-0007-01
G1	1	Hardware pack	G492-B001-01
G2	1	Assembly instructions	G493-M001-01
G3	1	Safe use and care manual	G492-M001-02

EXPLODED DIAGRAM (PROPANE) FOR 085-0205-2 / G49301

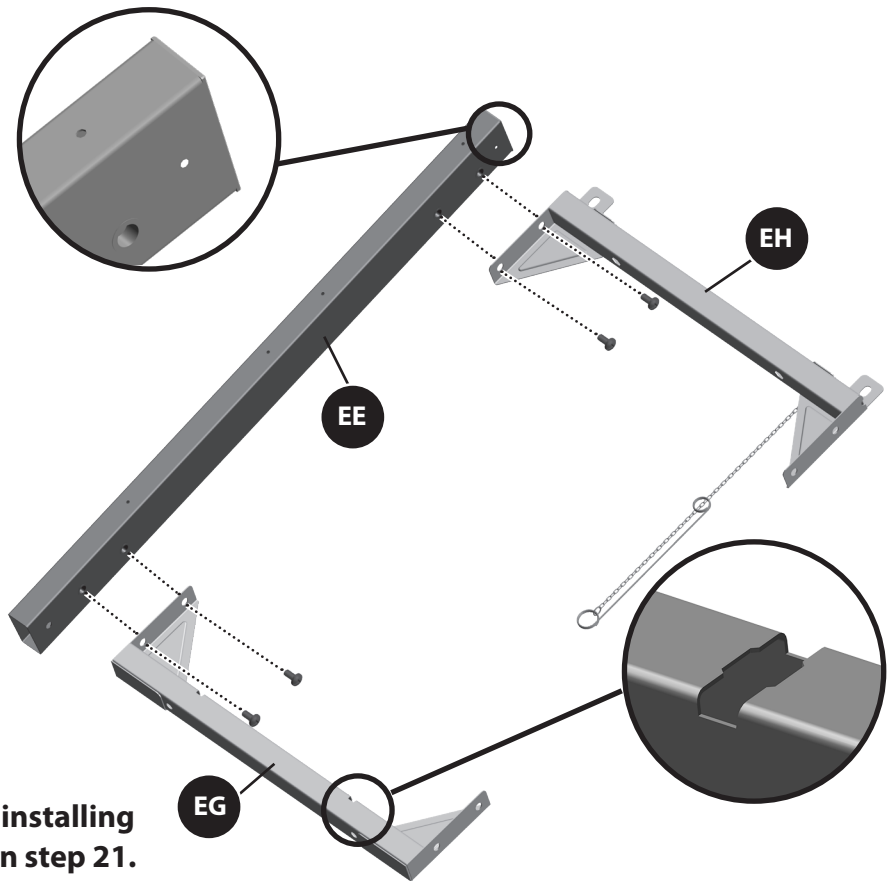
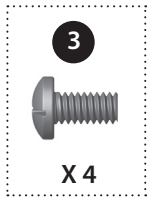


ASSEMBLY INSTRUCTIONS

1

A

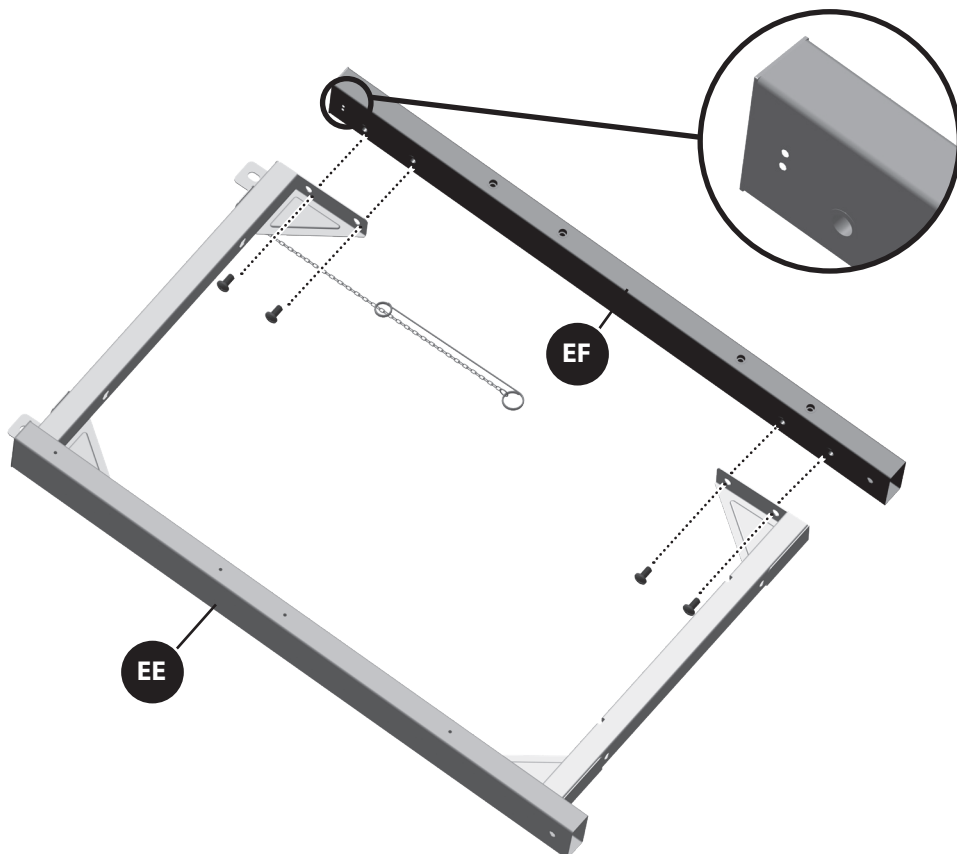
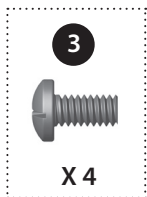
YOU WILL NEED:



ATTENTION:
Part EG is used for installing
the propane tank in step 21.

B

YOU WILL NEED:

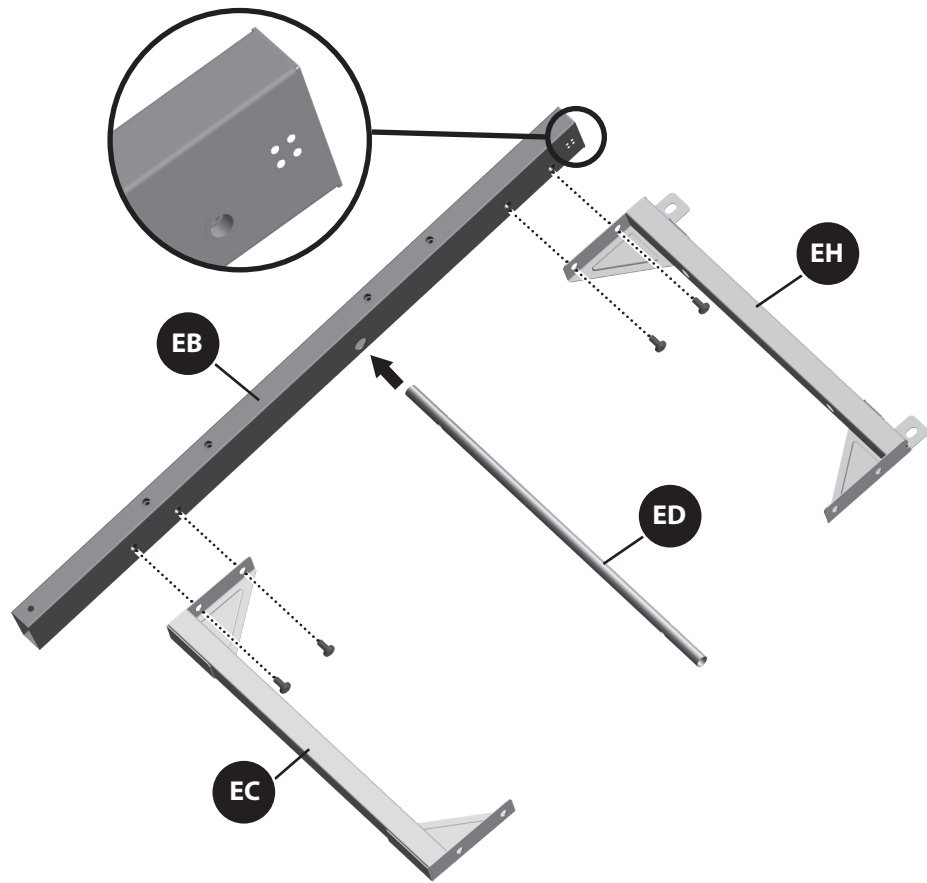
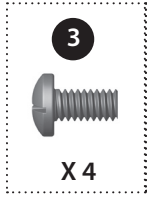


ASSEMBLY INSTRUCTIONS

2

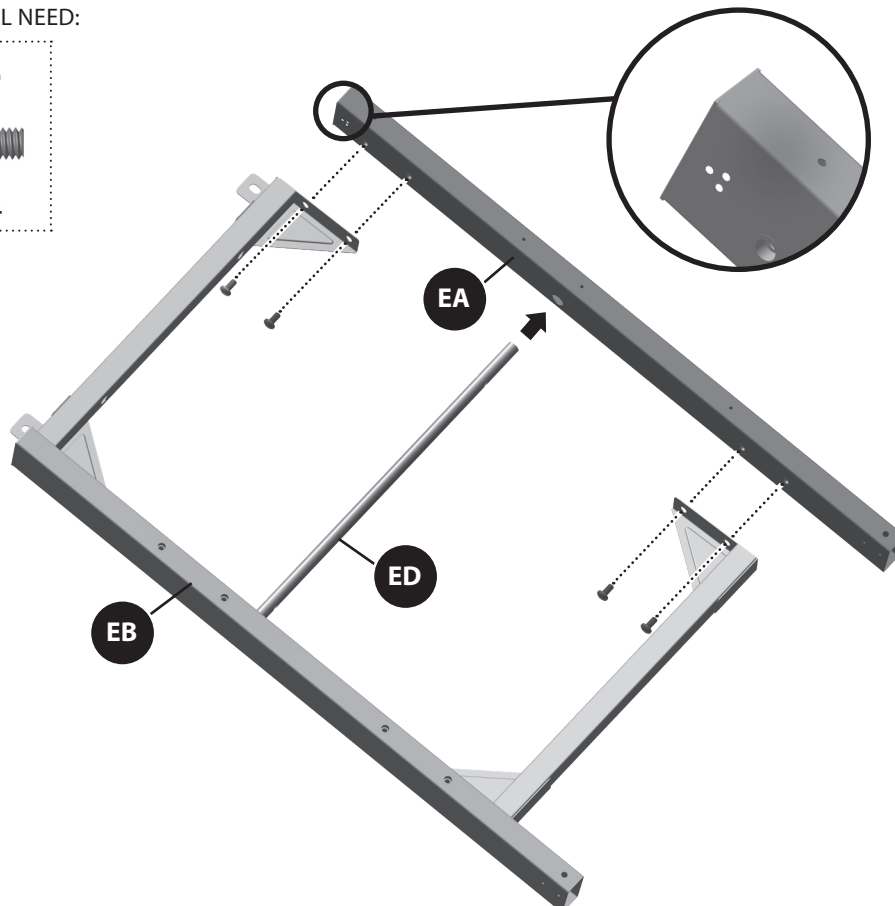
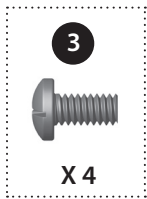
A

YOU WILL NEED:



B

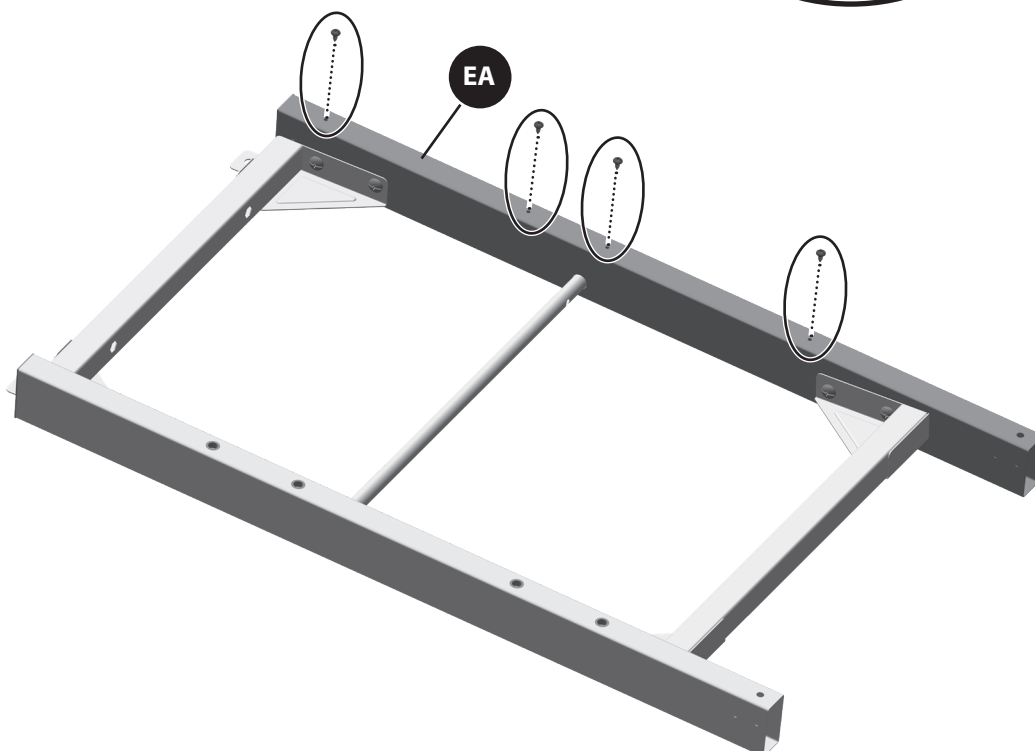
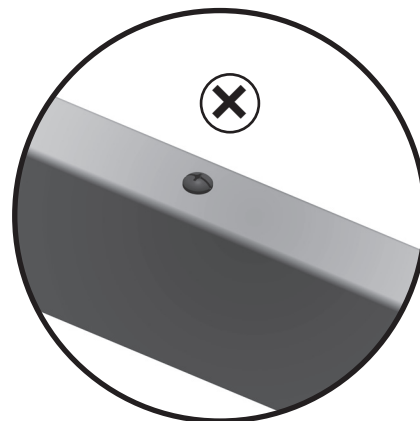
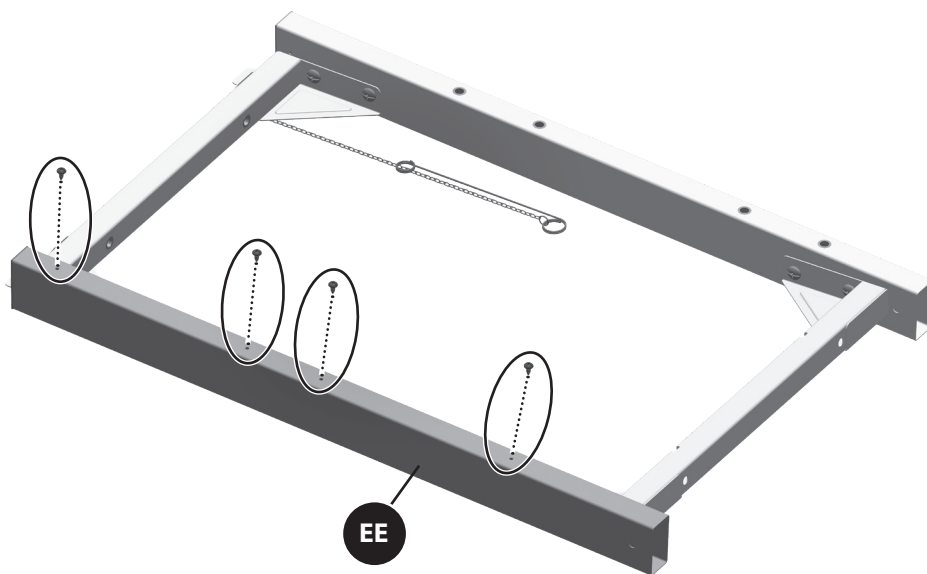
YOU WILL NEED:



ASSEMBLY INSTRUCTIONS

3

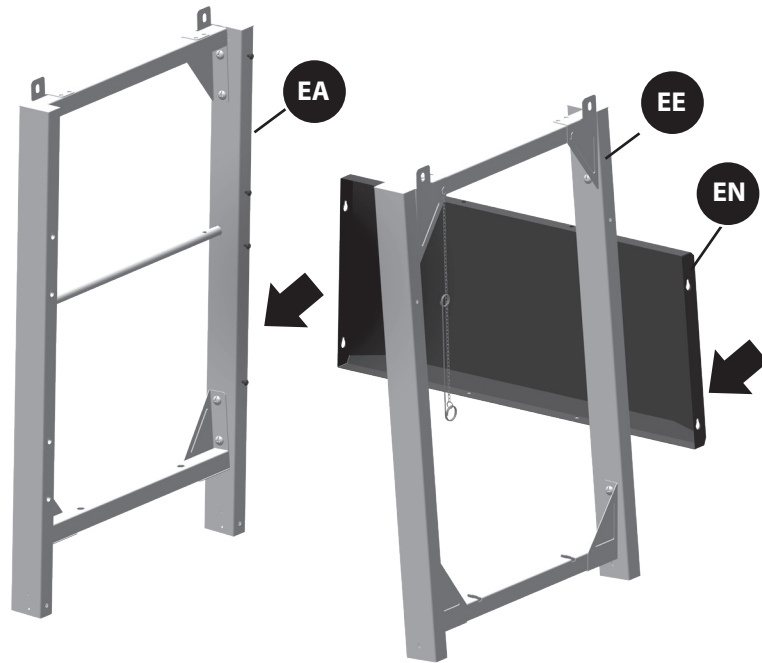
YOU WILL NEED:



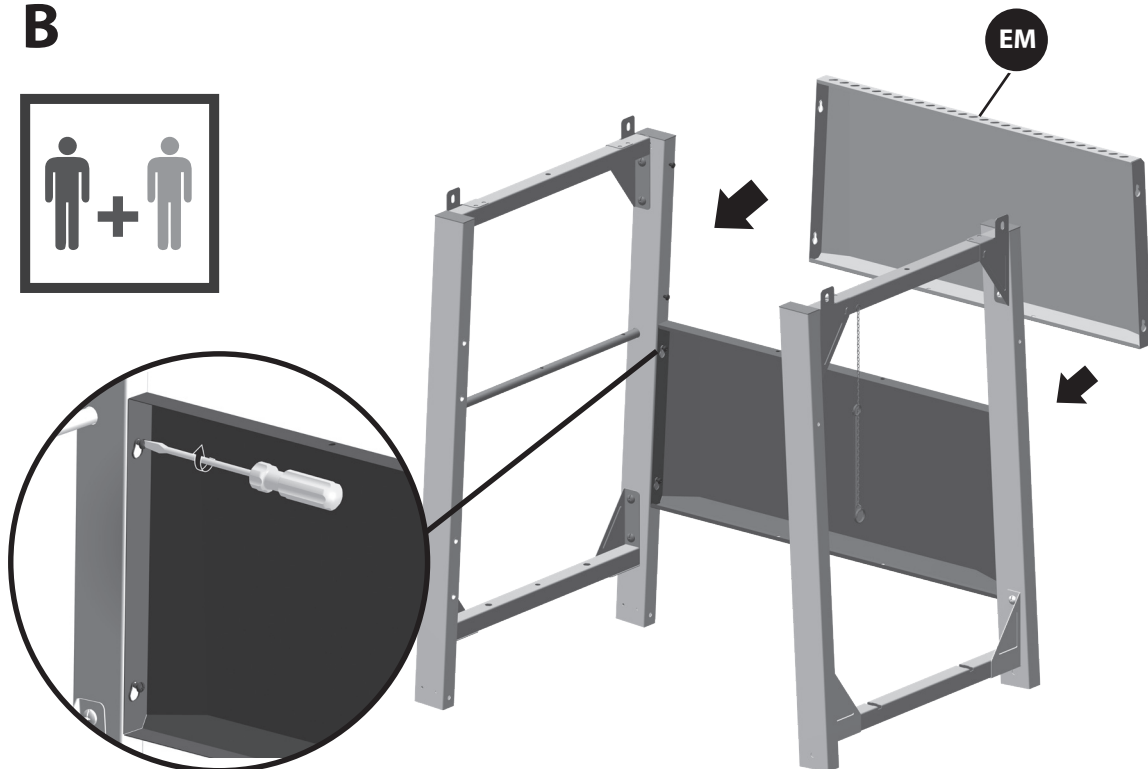
ASSEMBLY INSTRUCTIONS

4

A ATTENTION: DO NOT TIGHTEN SCREWS.



B

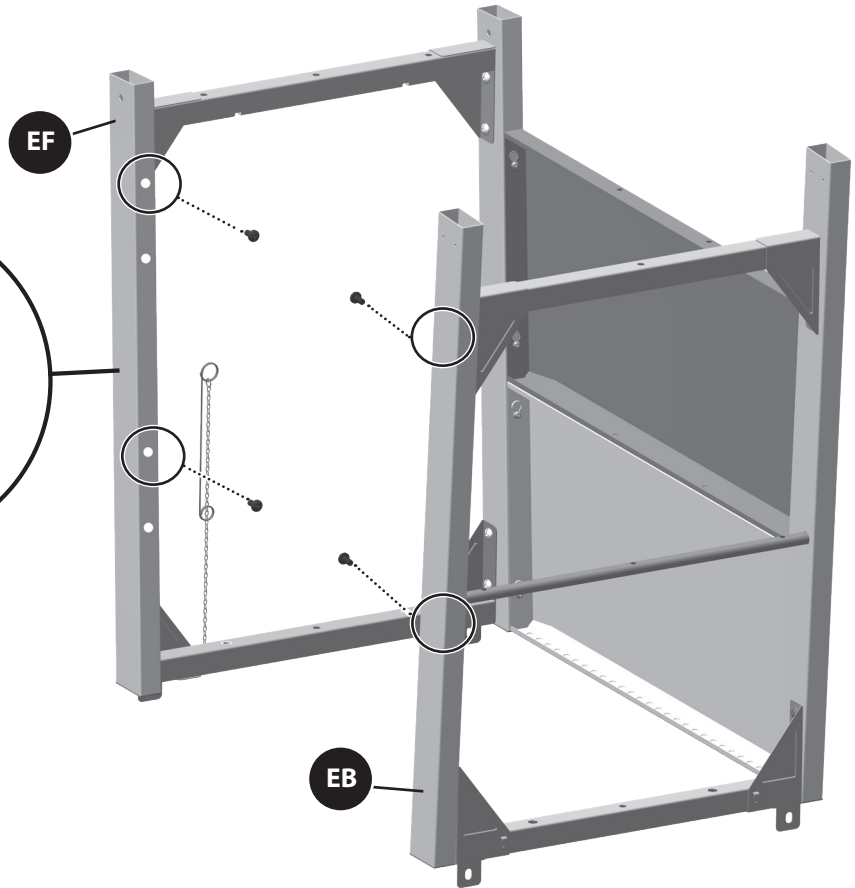
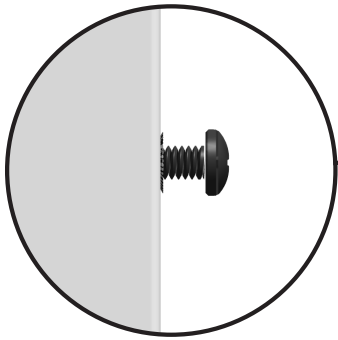
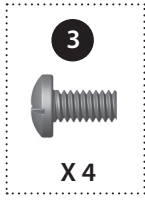


ATTENTION: TIGHTEN ALL SCREWS.

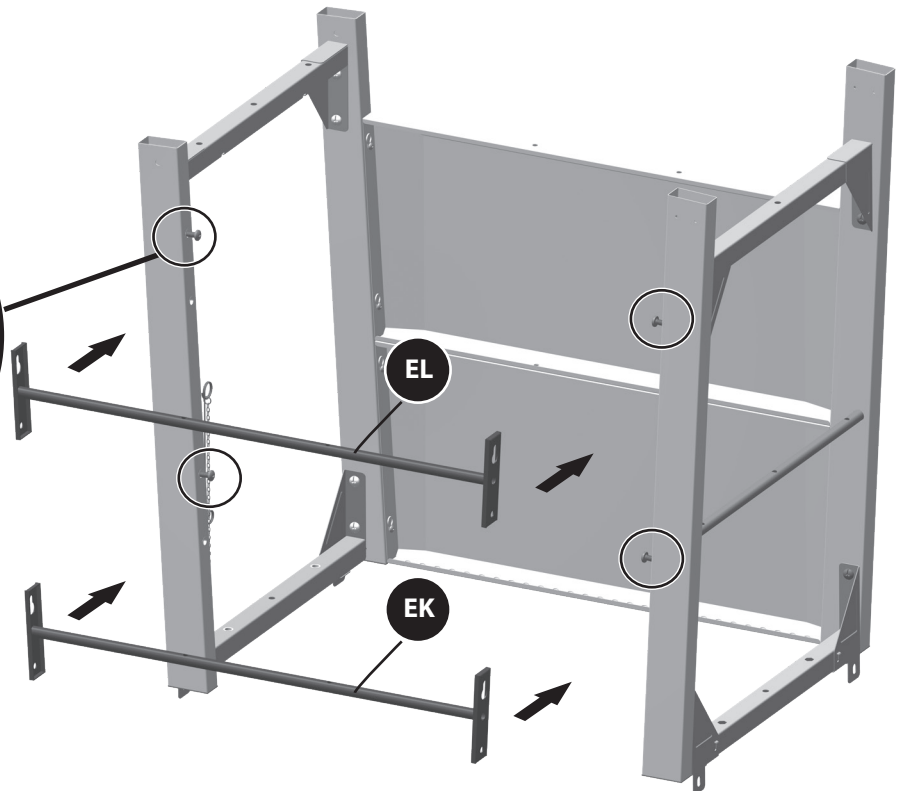
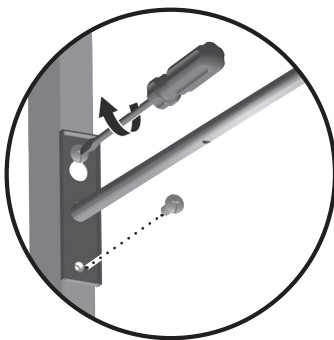
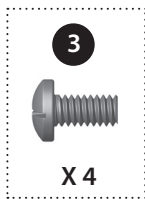
ASSEMBLY INSTRUCTIONS

5

A



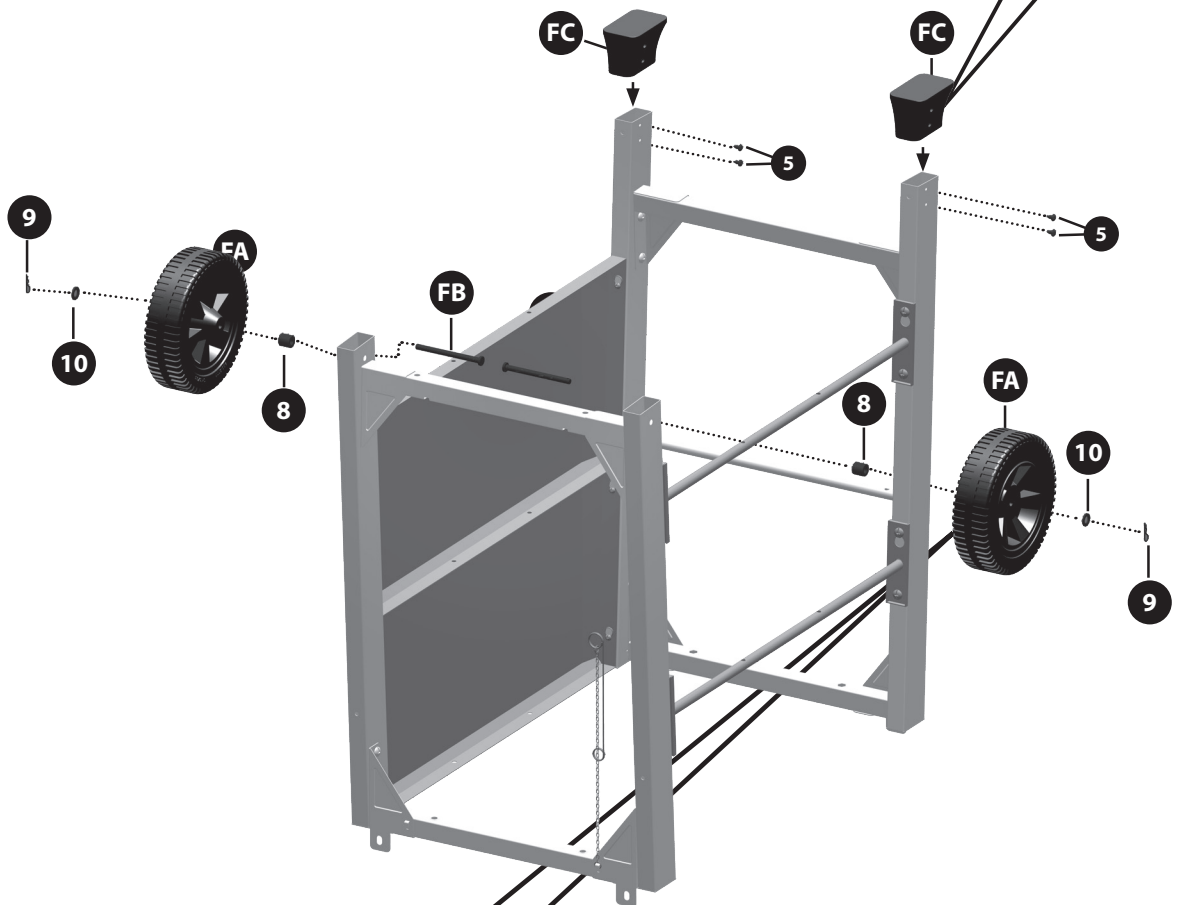
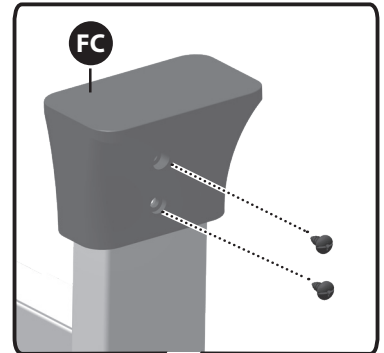
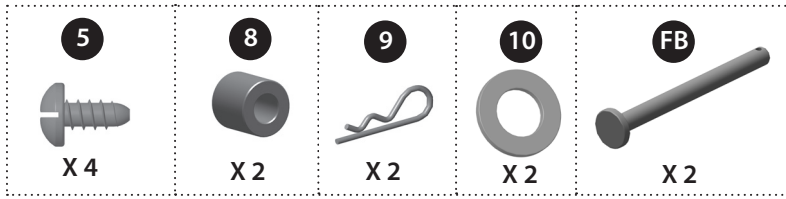
B



ASSEMBLY INSTRUCTIONS

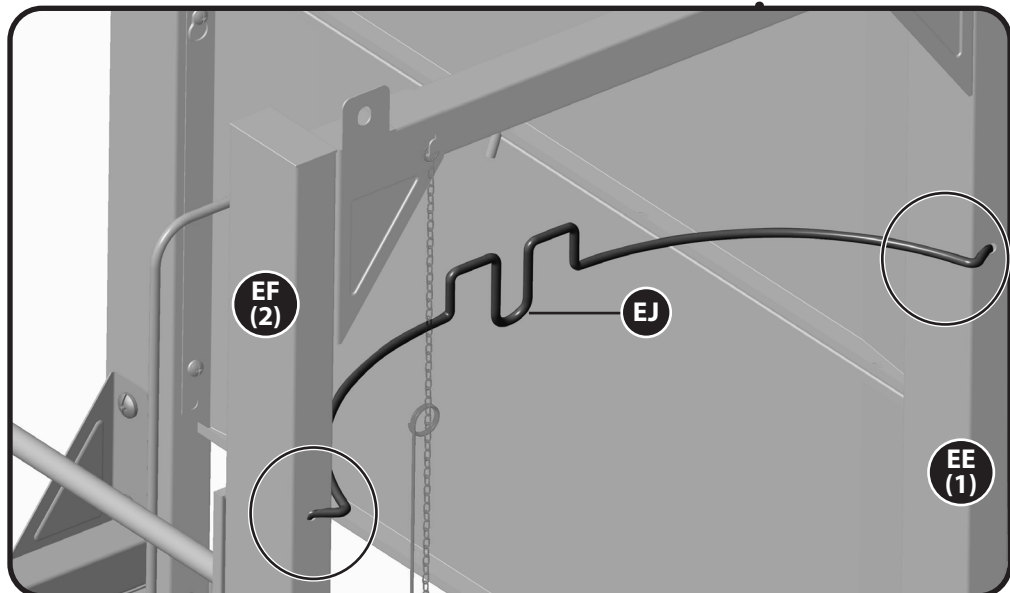
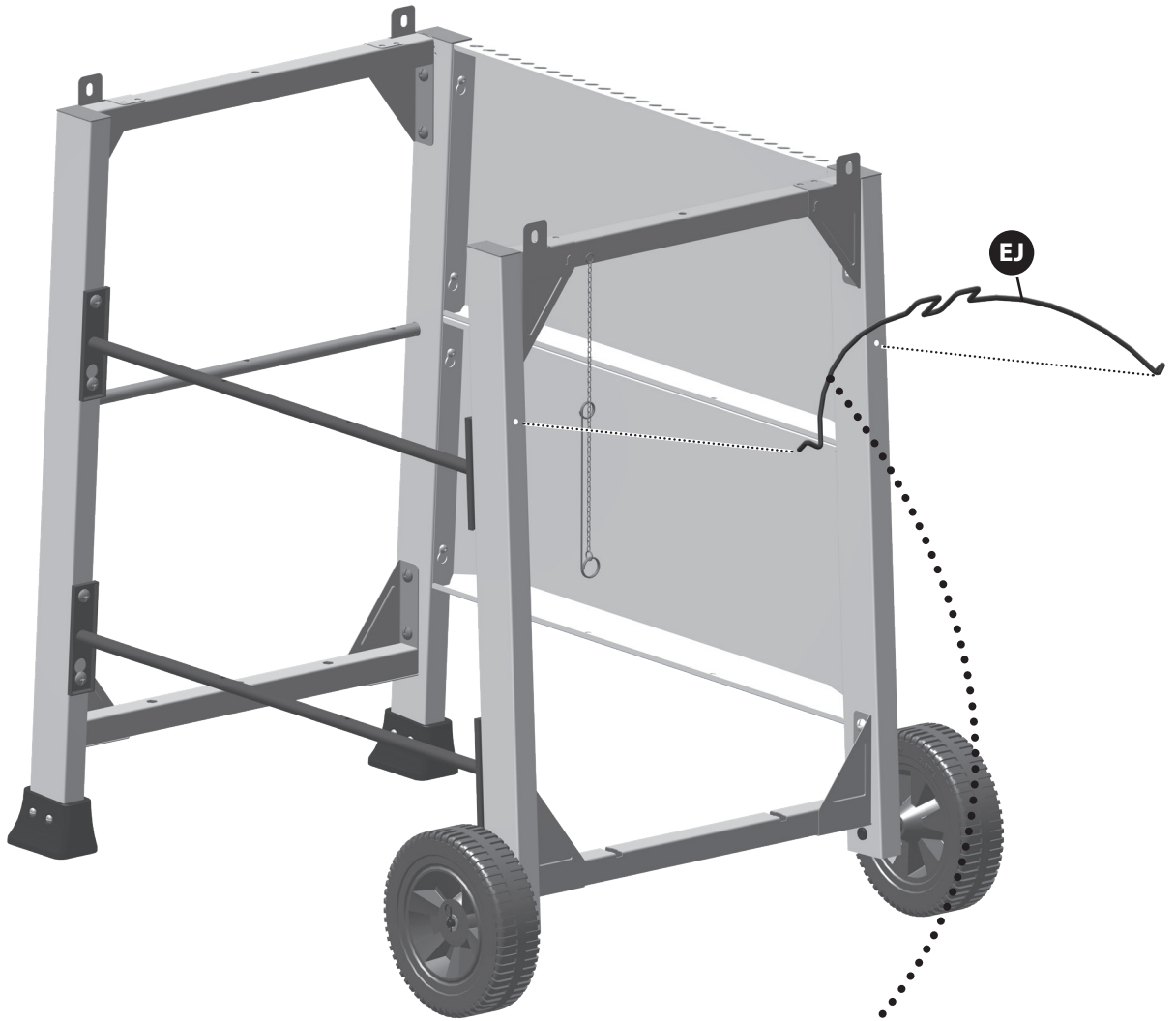
6

YOU WILL NEED:



ASSEMBLY INSTRUCTIONS

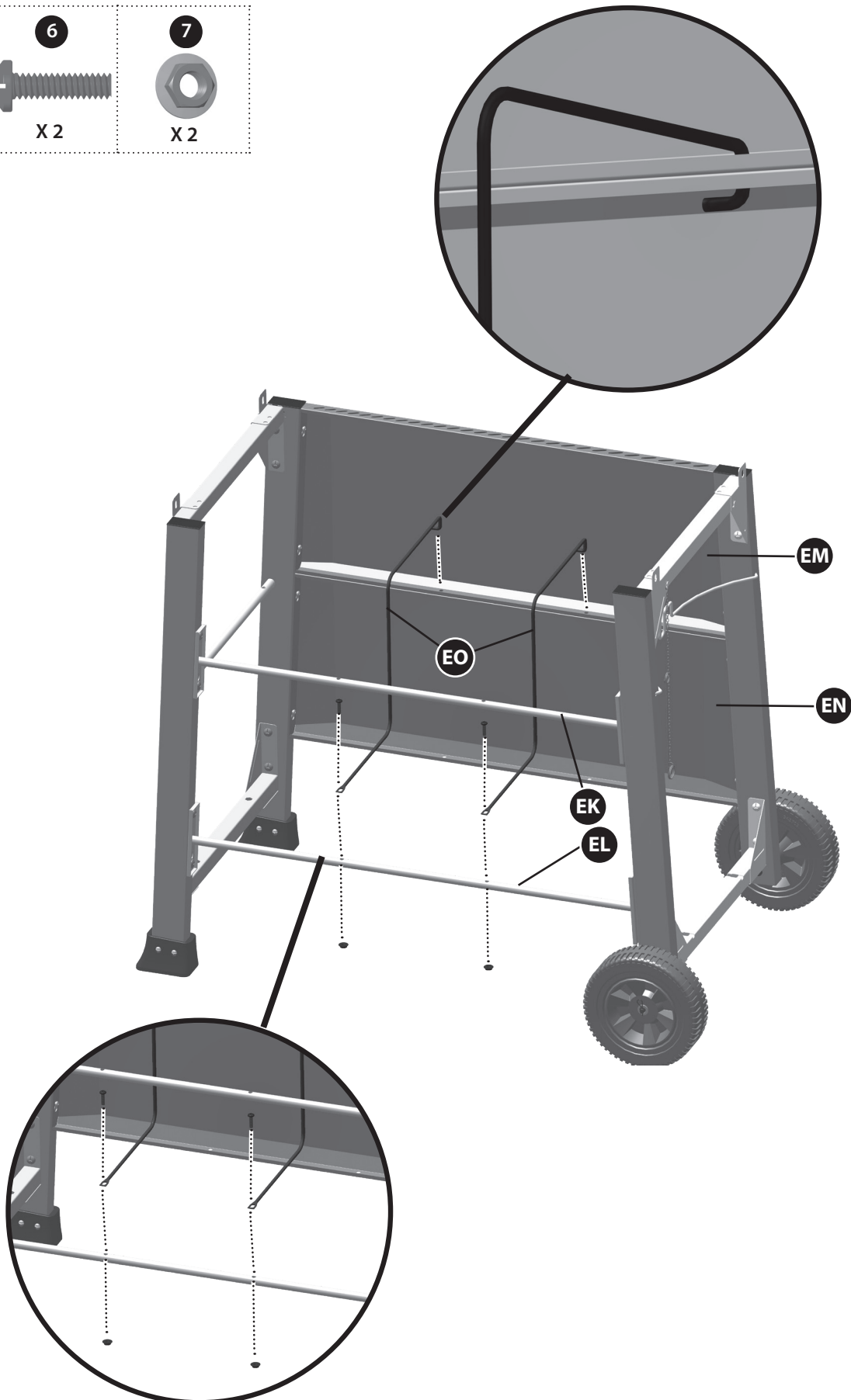
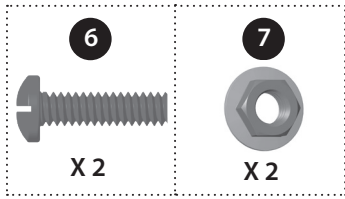
7



ASSEMBLY INSTRUCTIONS

8

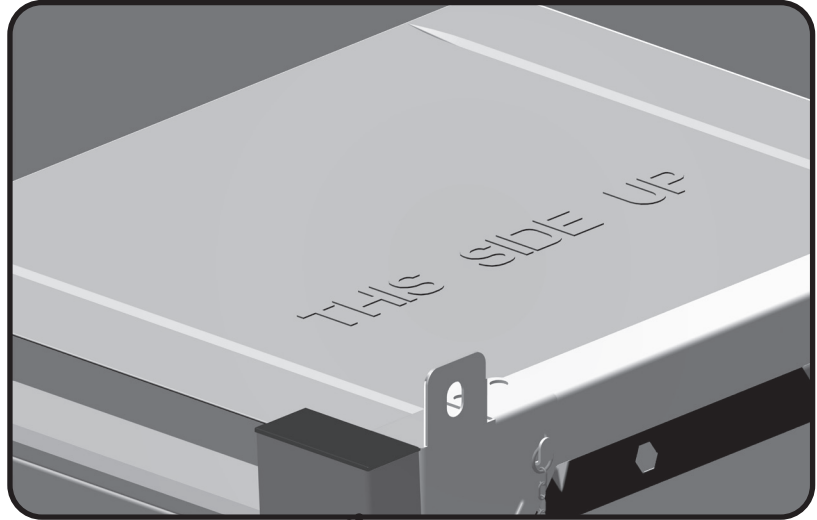
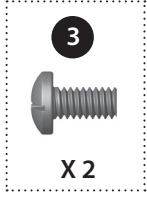
YOU WILL NEED:



ASSEMBLY INSTRUCTIONS

9

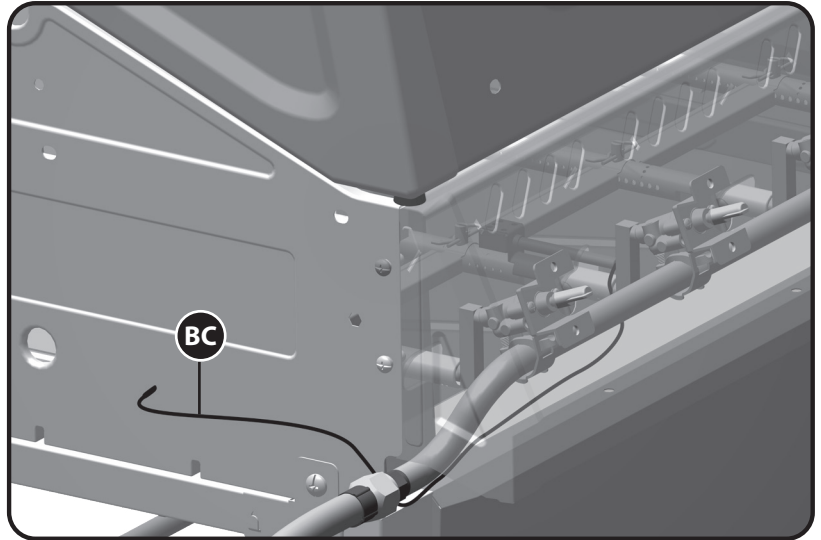
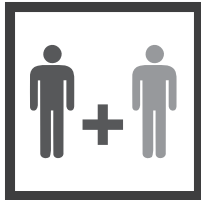
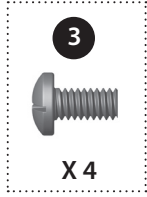
YOU WILL NEED:



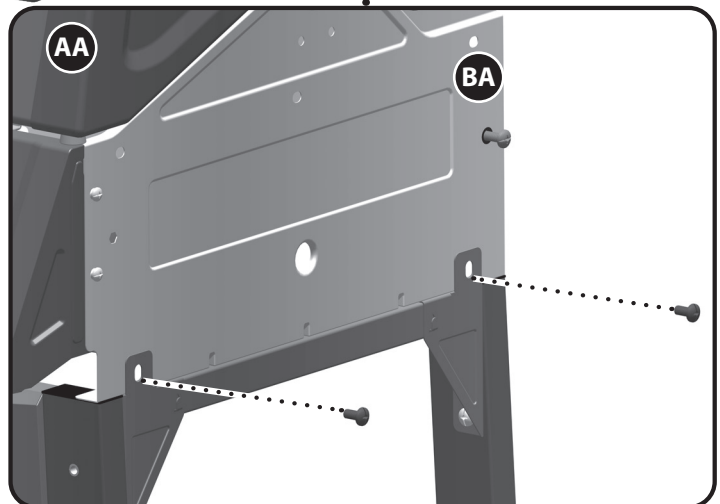
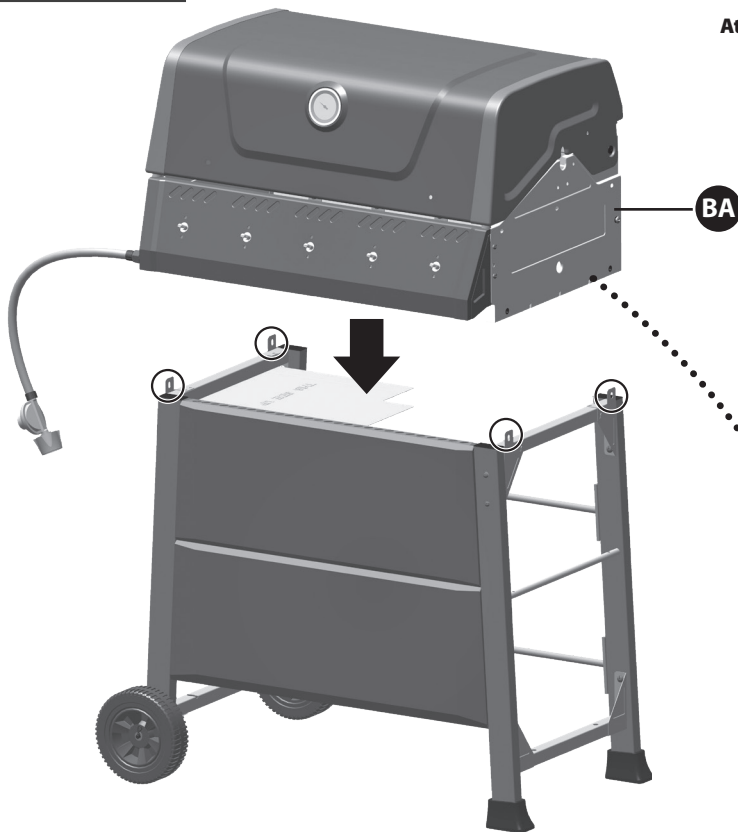
ASSEMBLY INSTRUCTIONS

10

YOU WILL NEED:



Attention: Feed the electrode set (BC) attached to the main burner through the hole on the left side of the burner box.



11

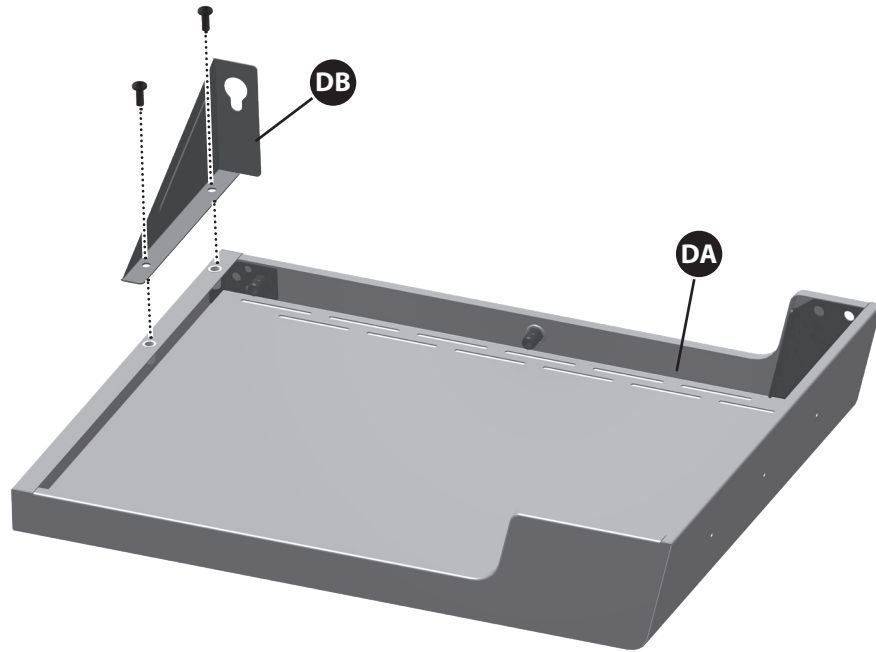
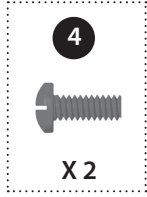


ASSEMBLY INSTRUCTIONS

12

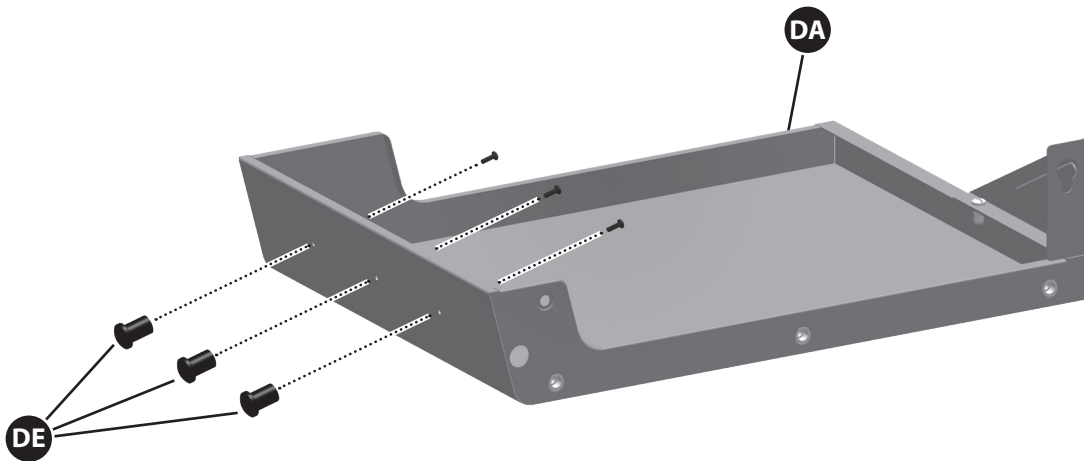
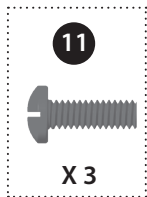
A

YOU WILL NEED:



B

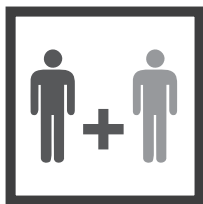
YOU WILL NEED:



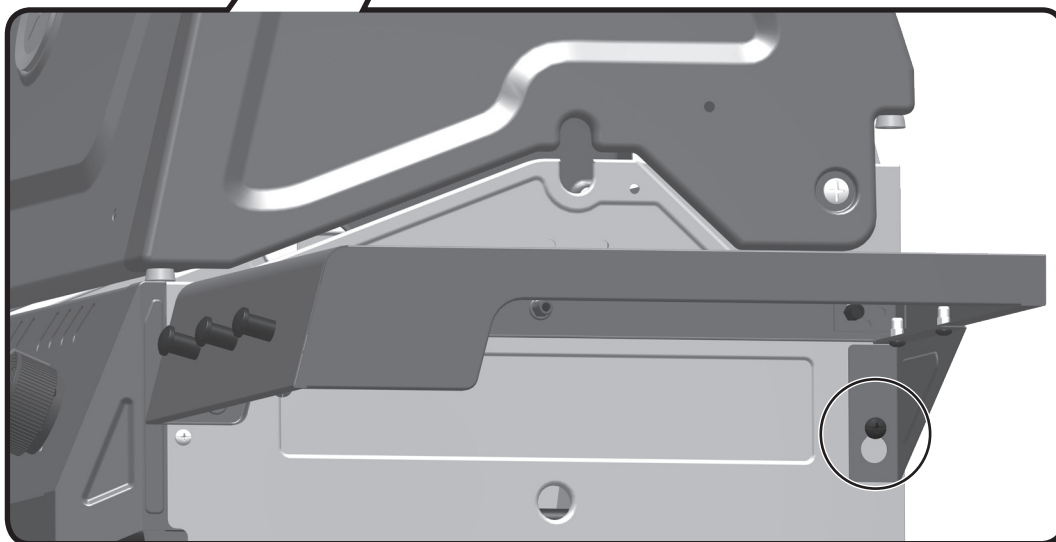
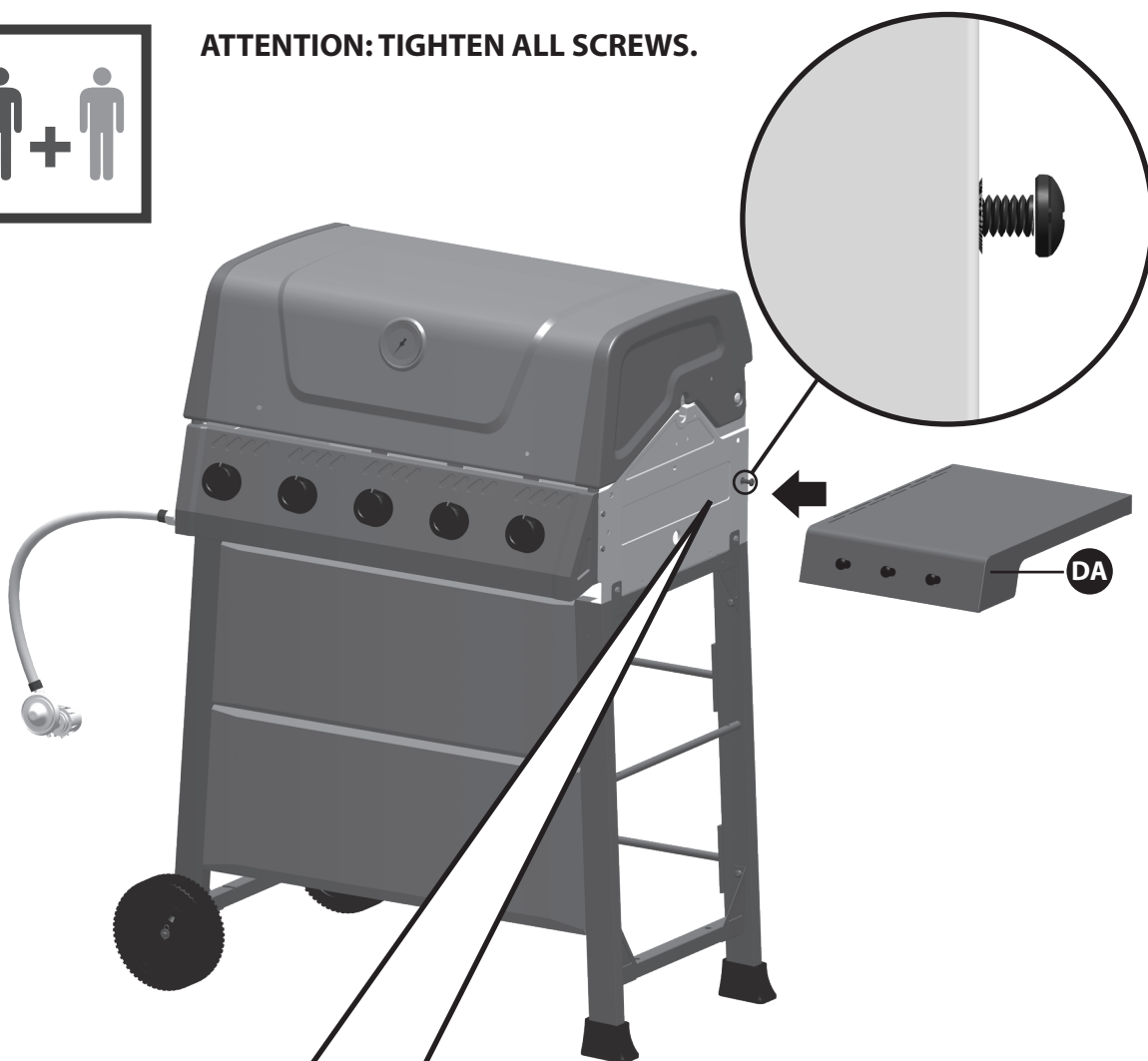
ASSEMBLY INSTRUCTIONS

12

C



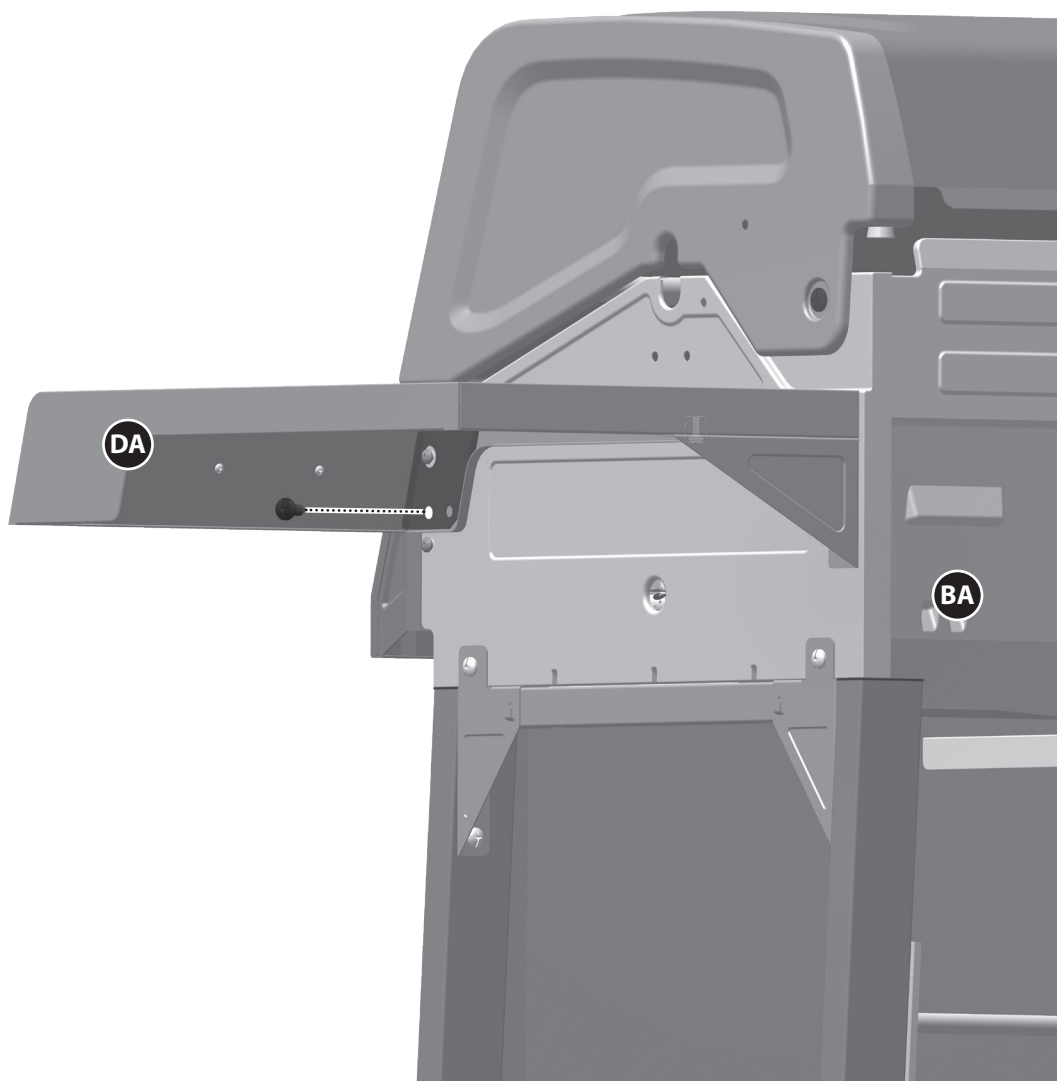
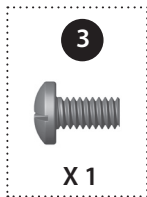
ATTENTION: TIGHTEN ALL SCREWS.



12

D

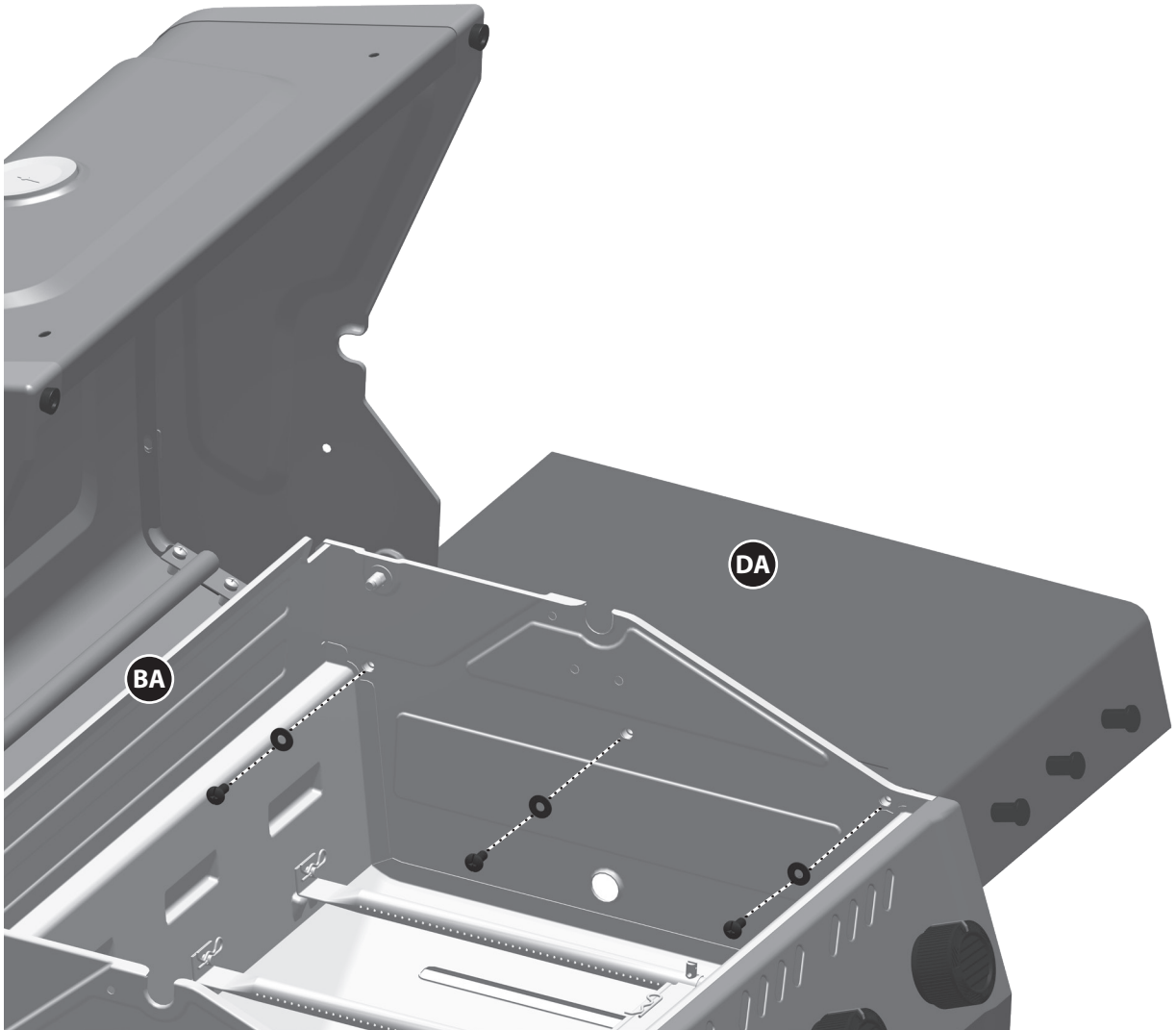
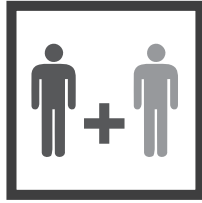
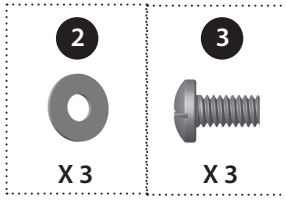
YOU WILL NEED:



12

E

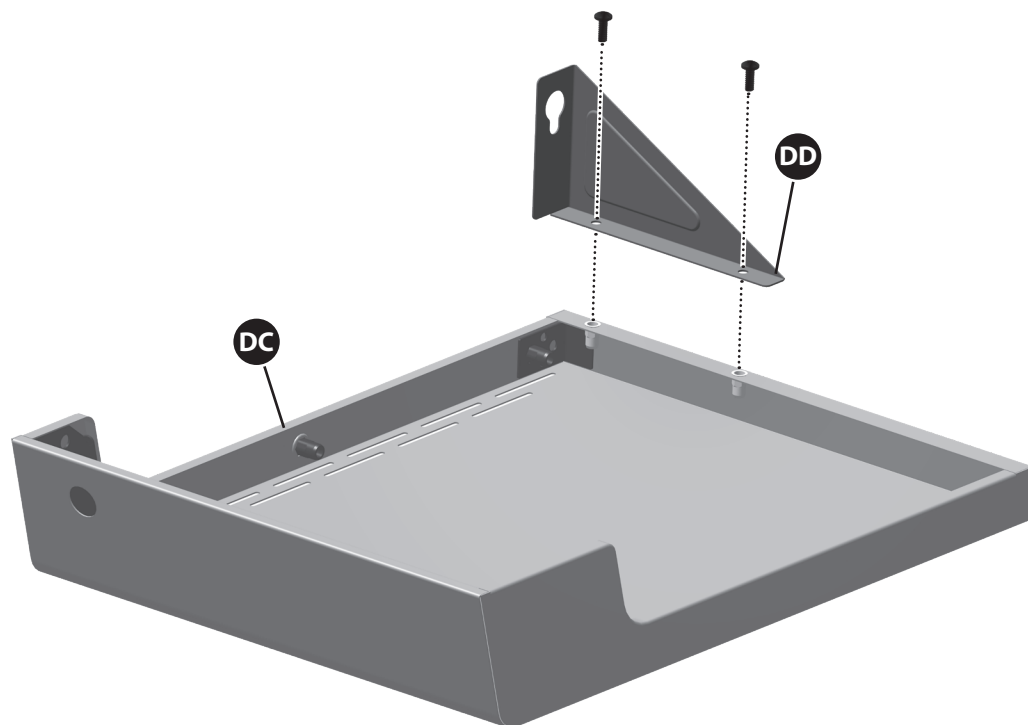
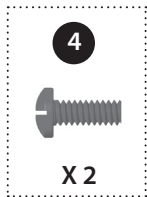
YOU WILL NEED:



13

A

YOU WILL NEED:

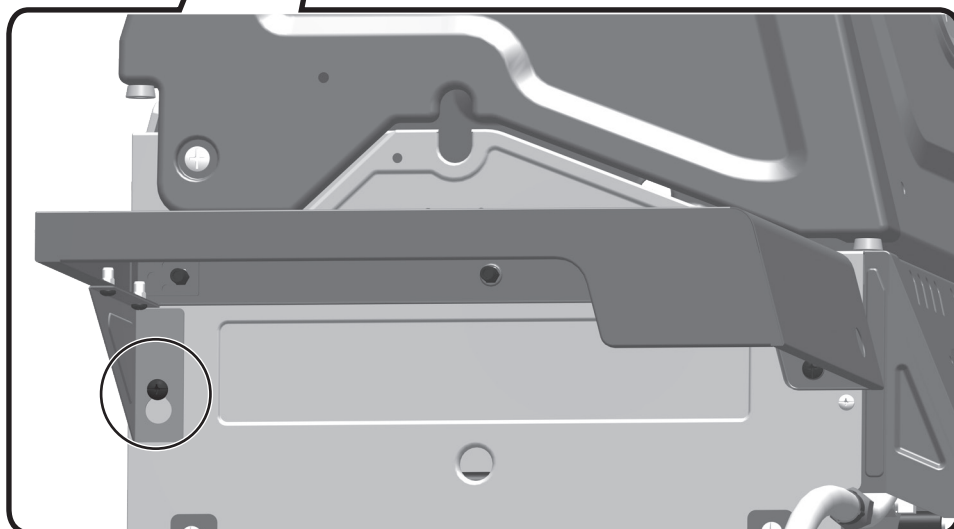
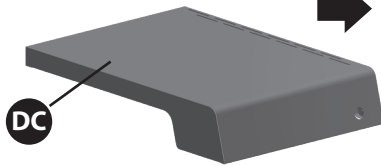
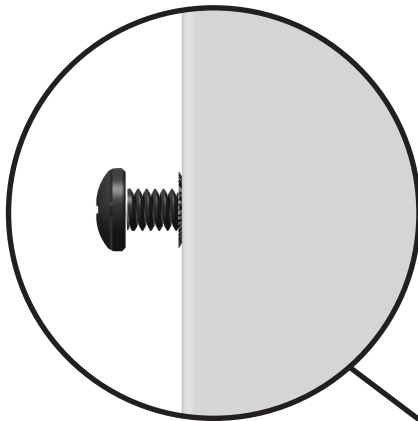


ASSEMBLY INSTRUCTIONS

13

B

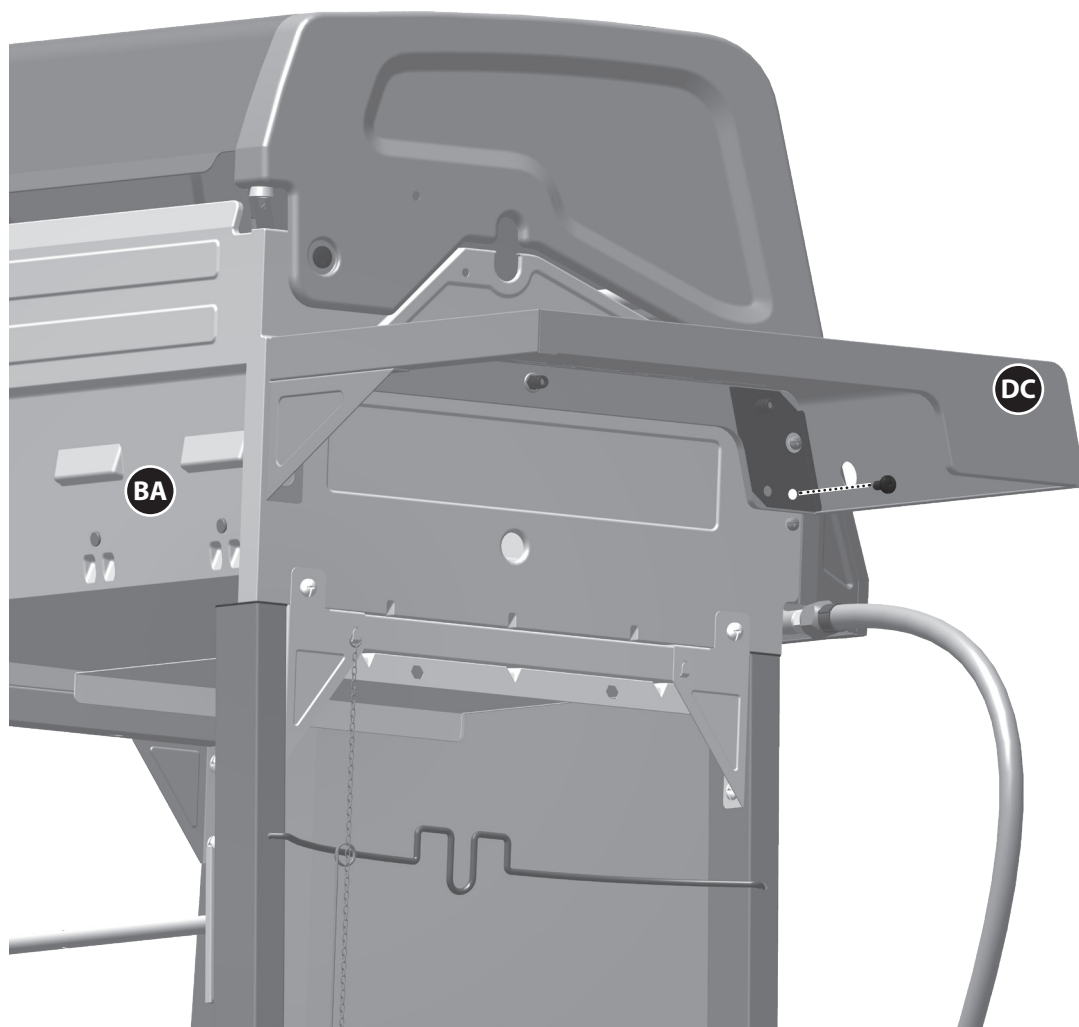
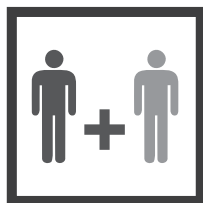
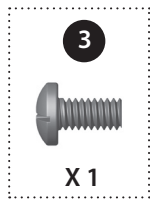
ATTENTION: TIGHTEN ALL SCREWS.



13

C

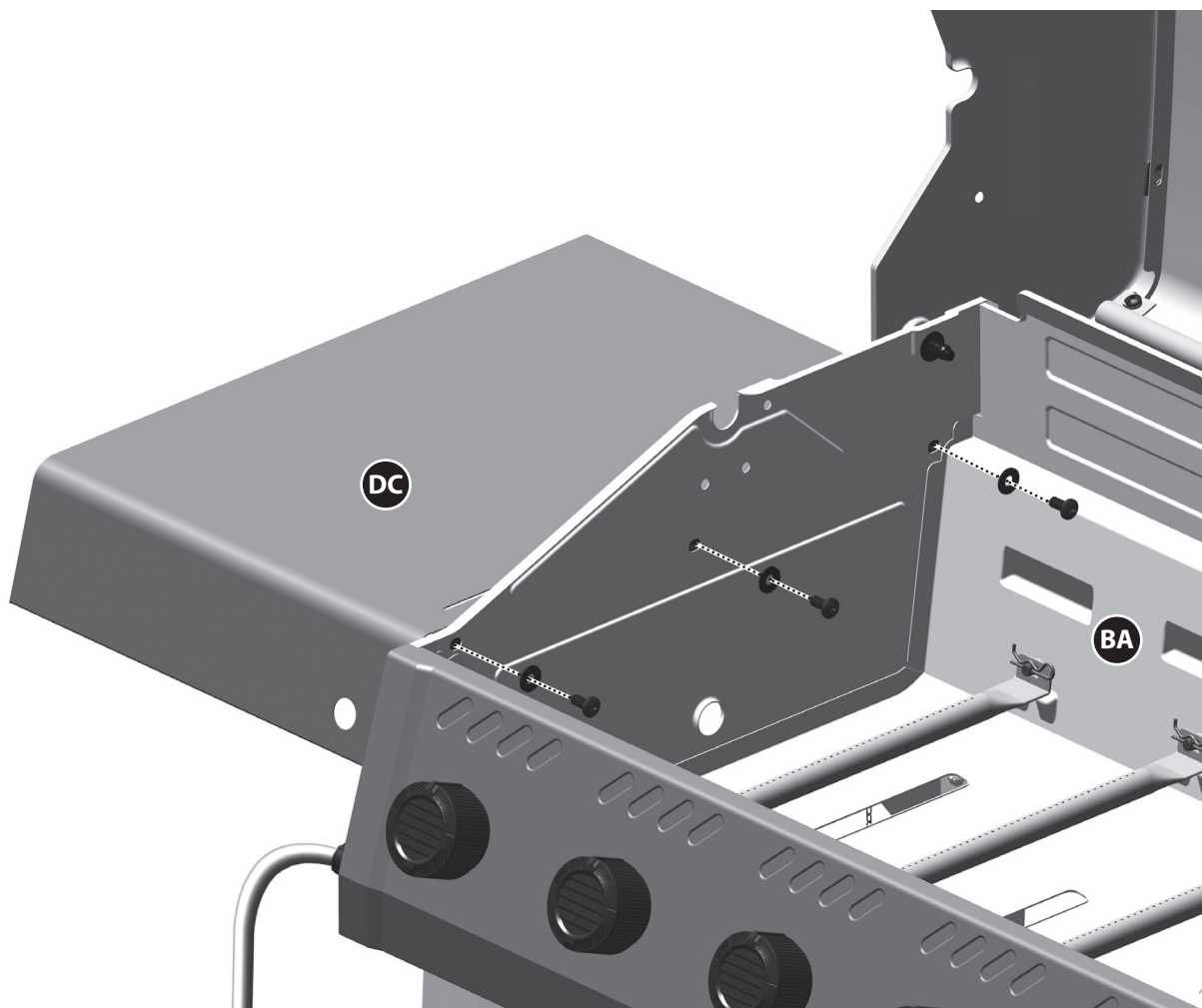
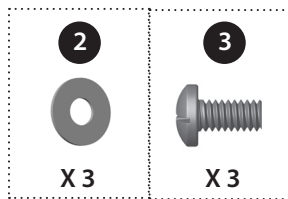
YOU WILL NEED:



13

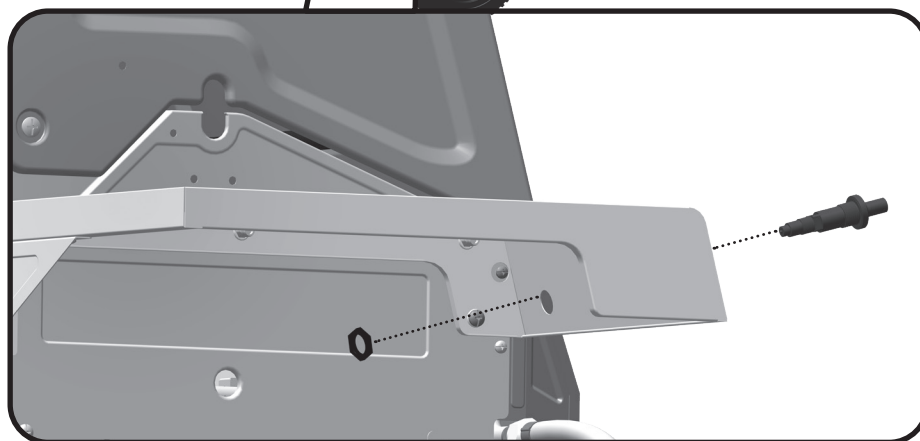
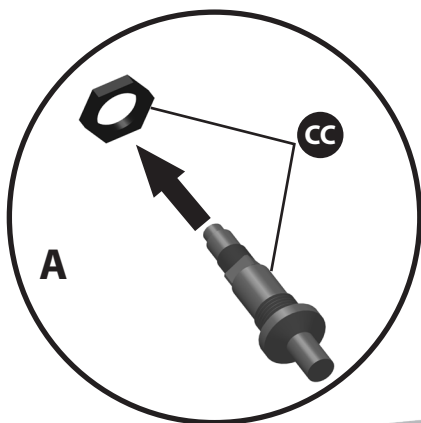
D

YOU WILL NEED:



14

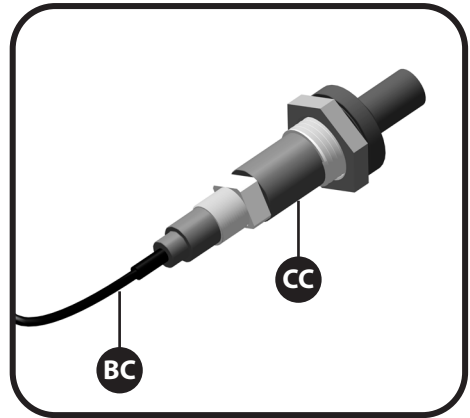
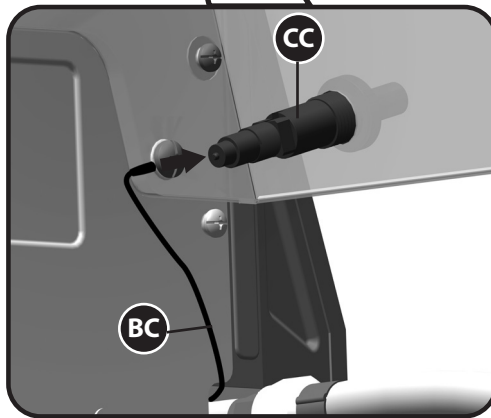
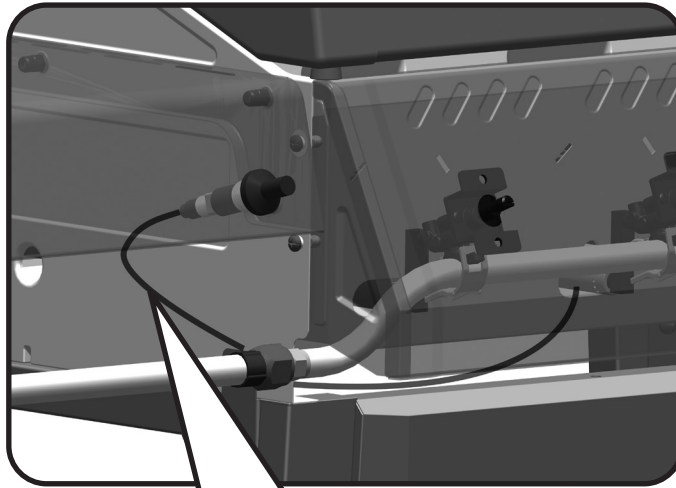
A



ASSEMBLY INSTRUCTIONS

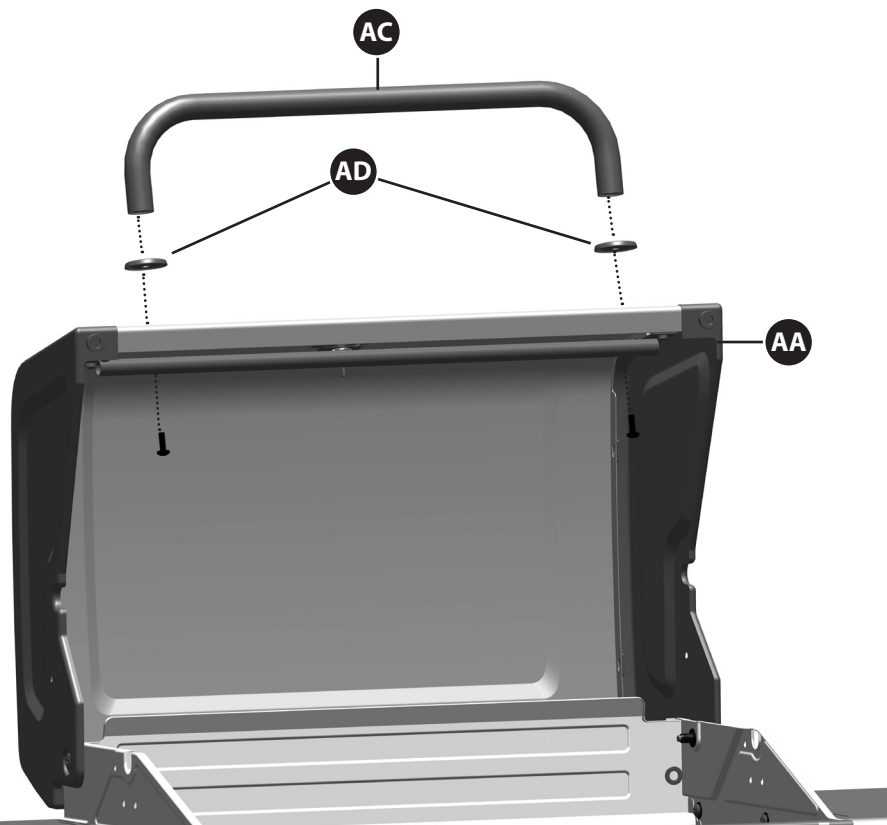
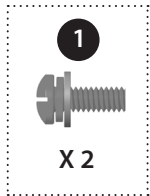
14

B

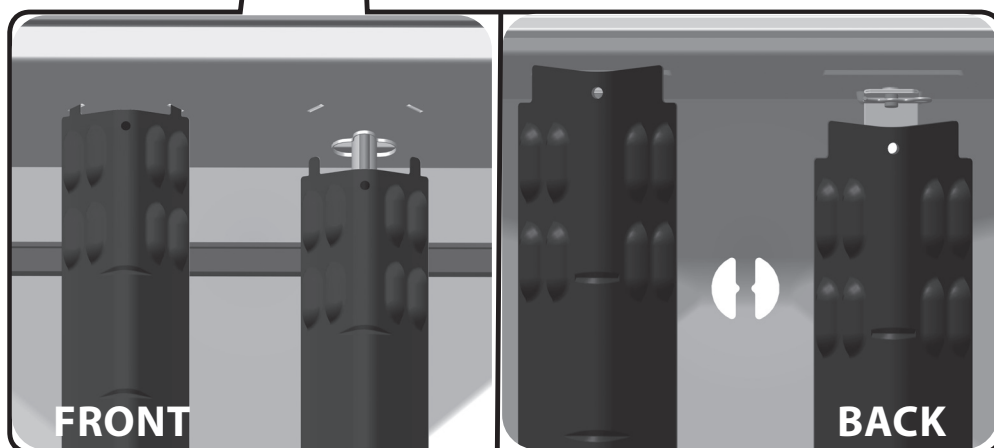
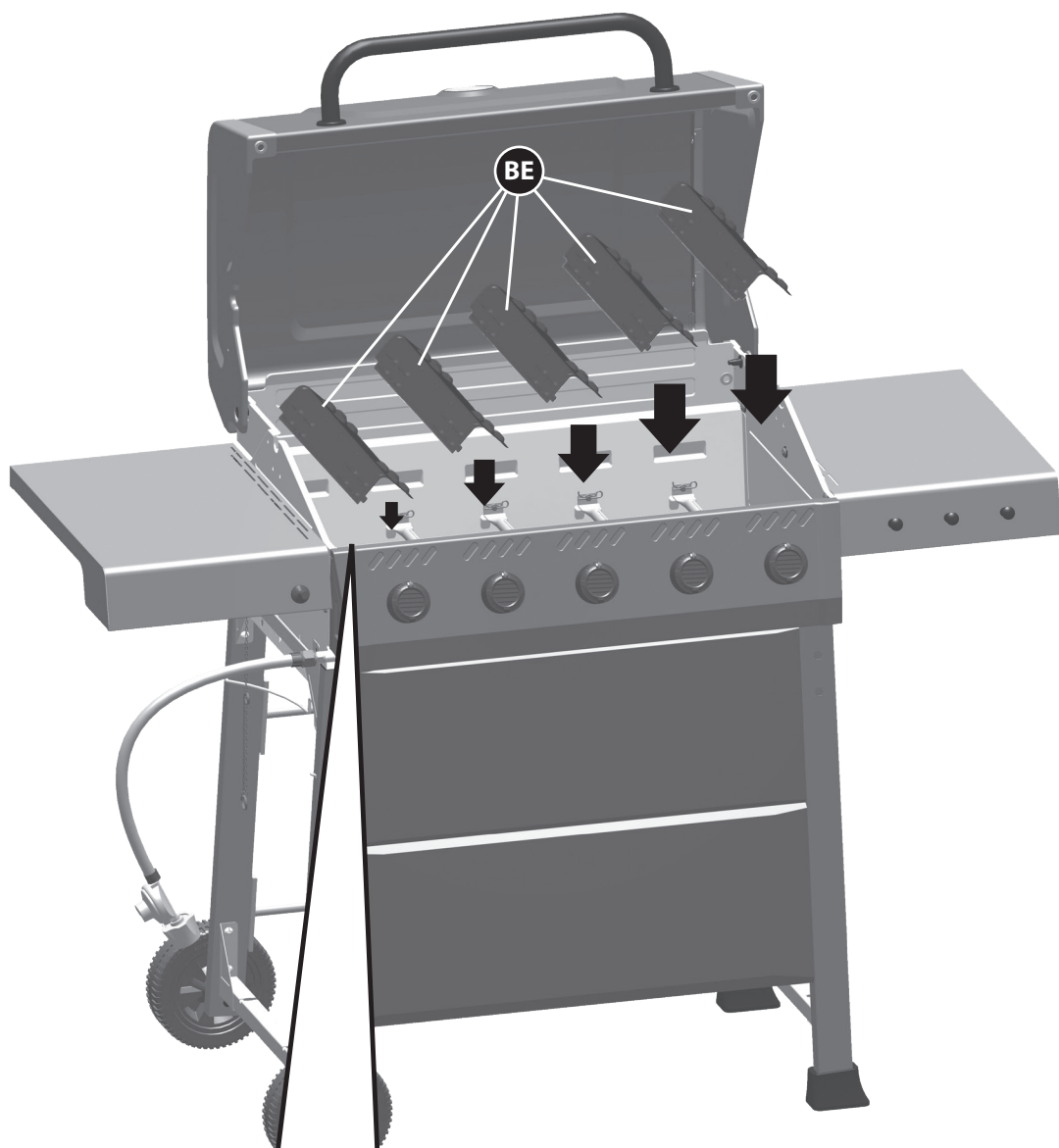


15

YOU WILL NEED:



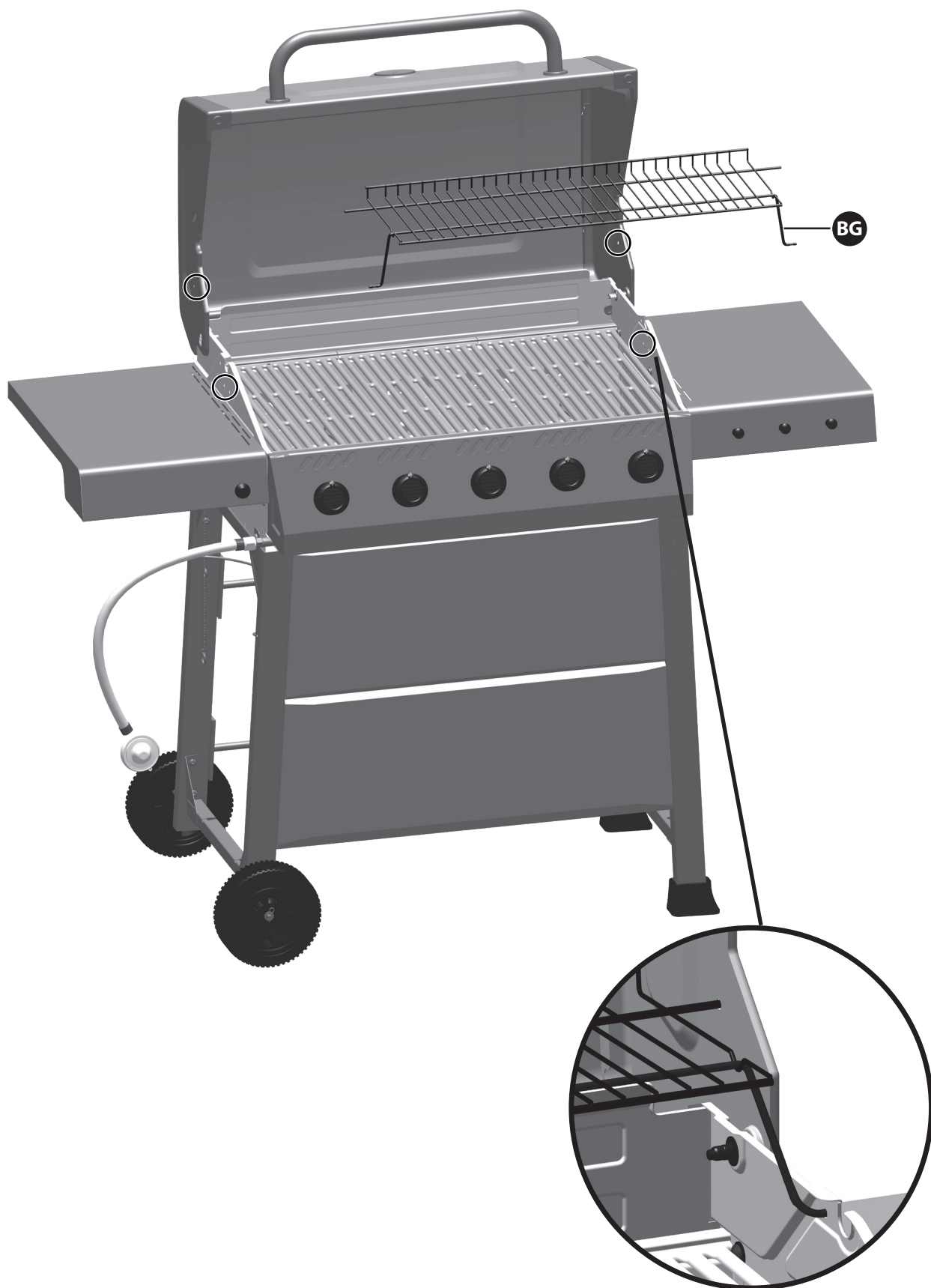
16



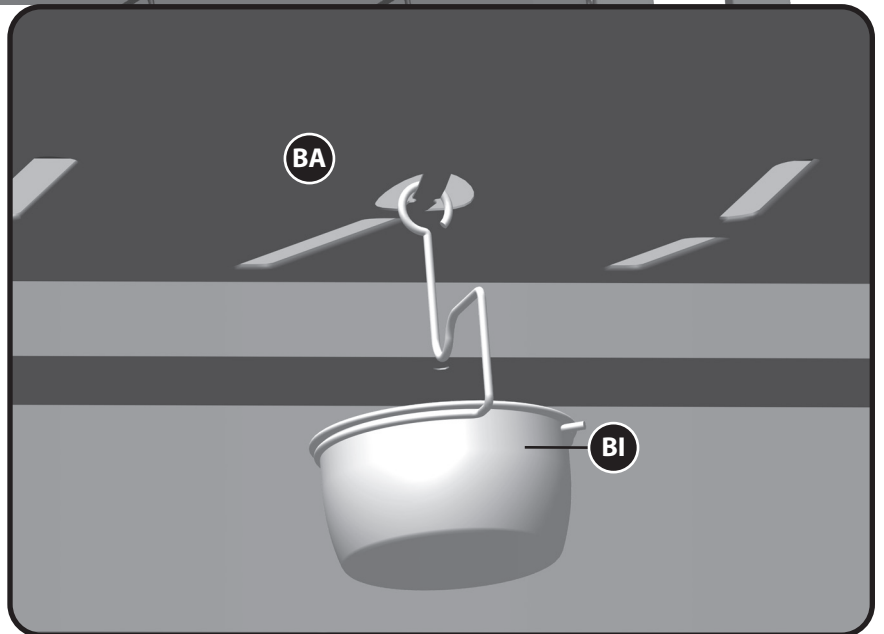
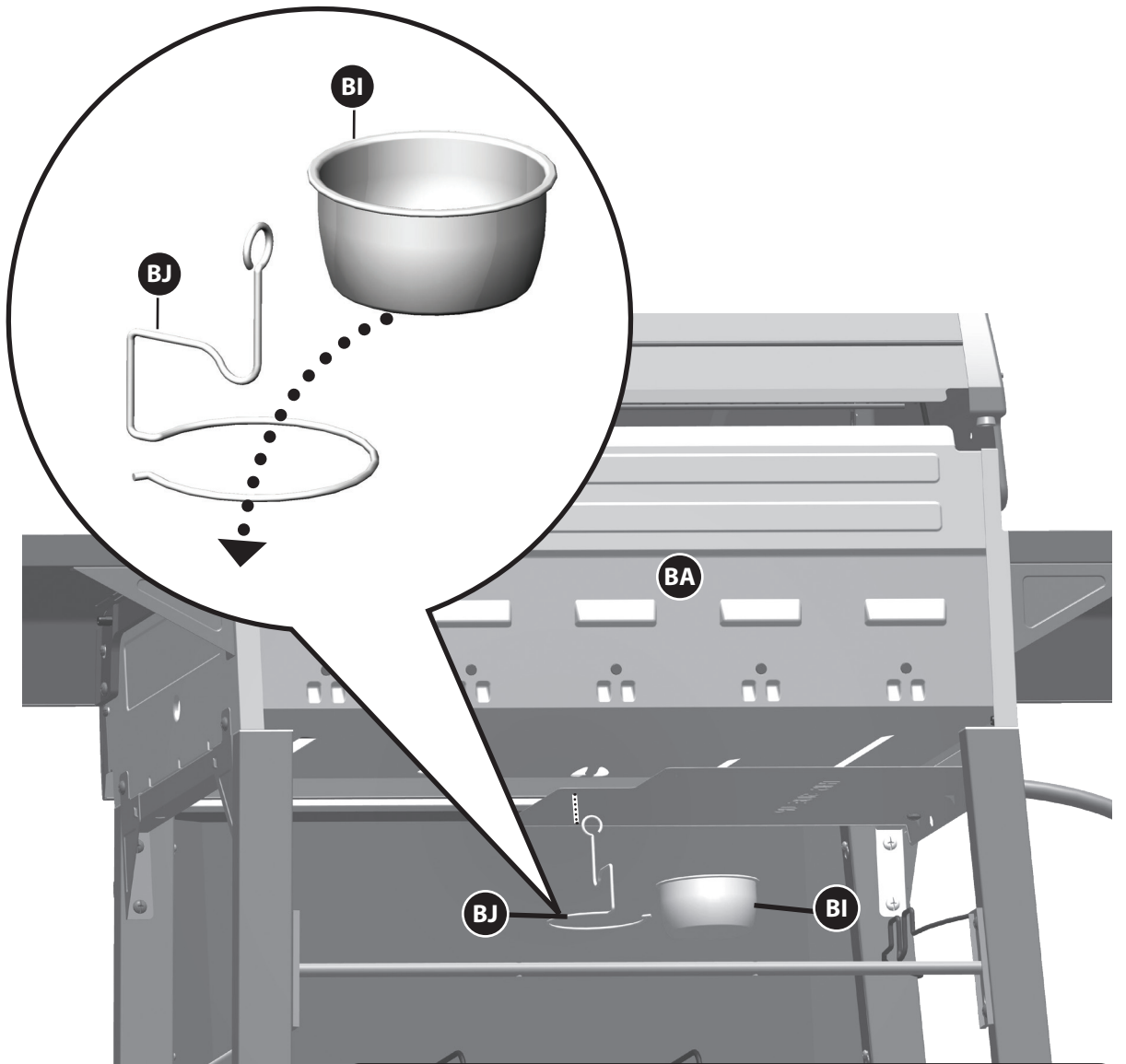
17



18



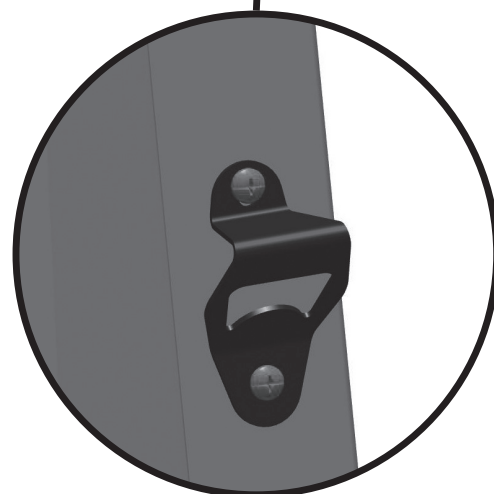
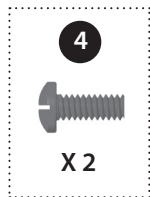
19



ASSEMBLY INSTRUCTIONS

20

YOU WILL NEED:

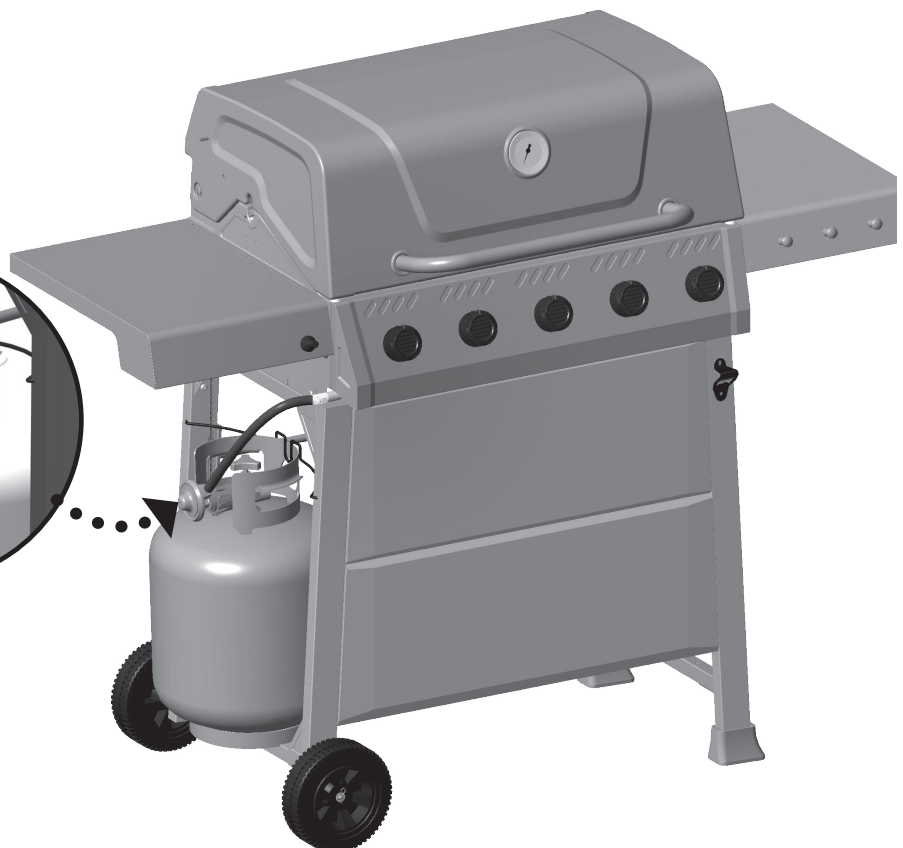
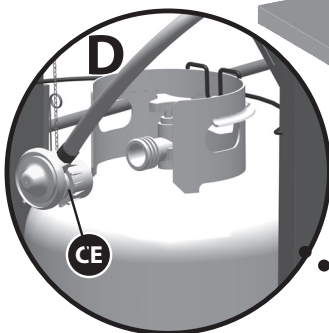
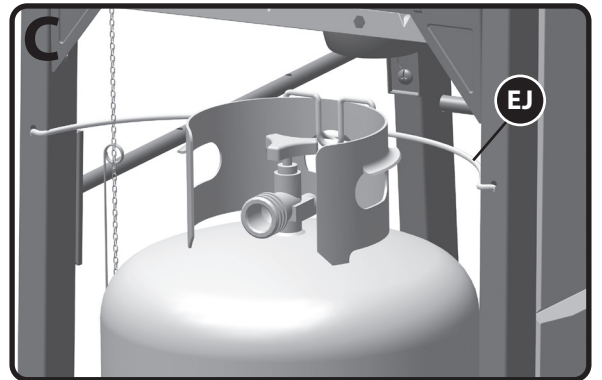
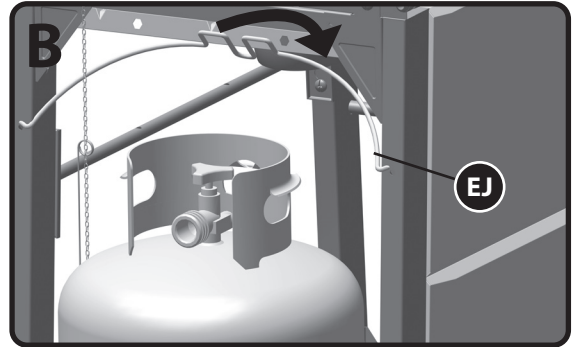
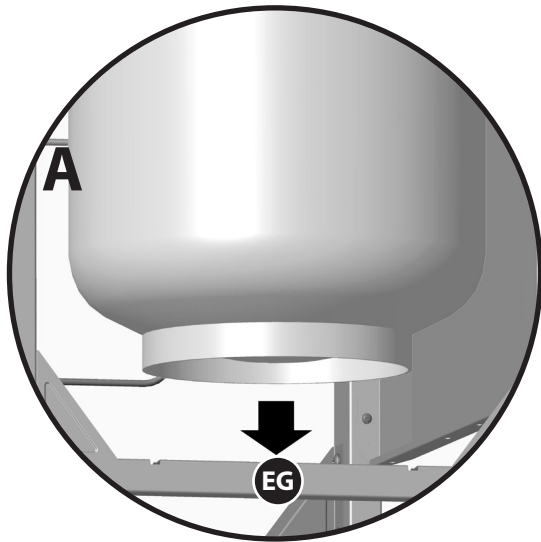


ASSEMBLY INSTRUCTIONS

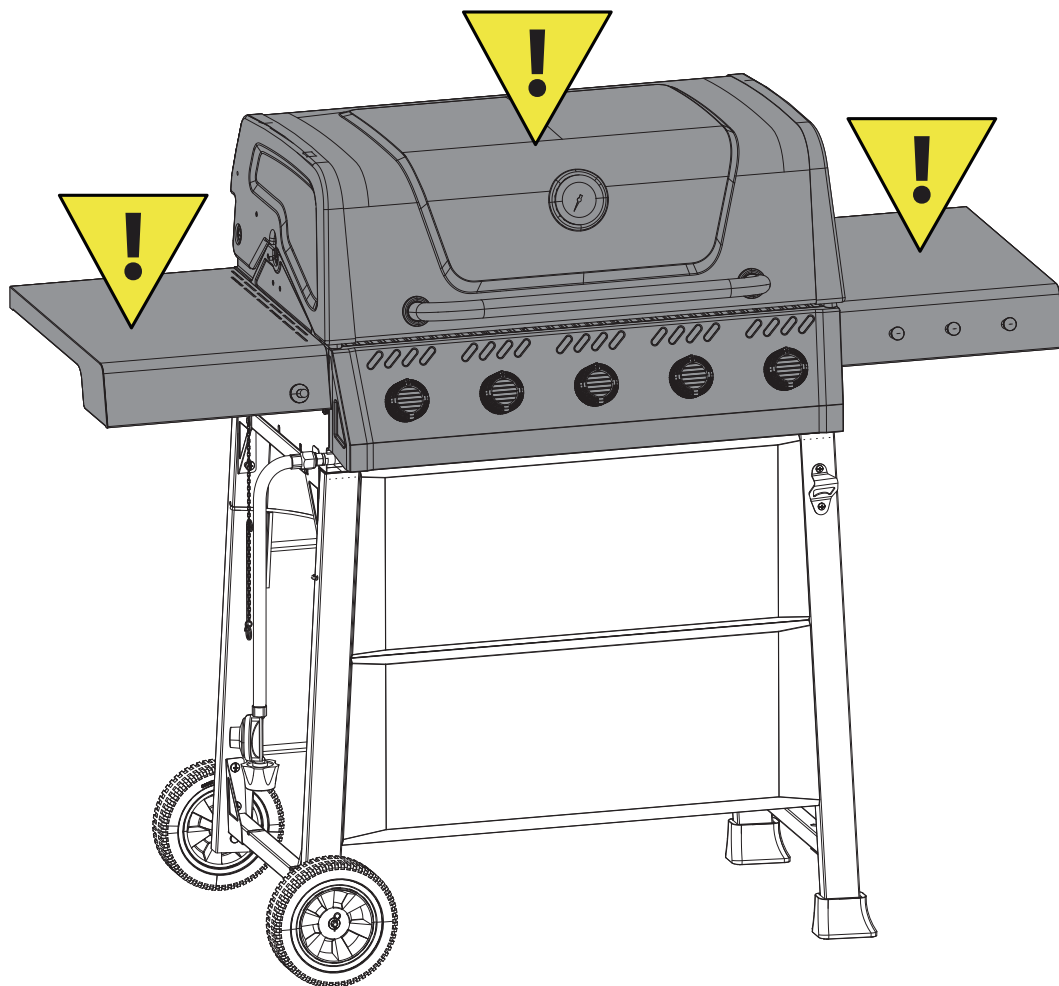
21



Leak Test Video
Scan this QR code.



! WARNING: HOT SURFACES



CAUTION:

- **AVOID BURNS.**
- **DO NOT TOUCH WHEN BARBECUE IS IN USE.**
- **EXTREMELY HOT SURFACE.**
- * ***SHADED AREAS BECOME EXTREMELY HOT WHEN IN USE.***



Quick Start Video
Scan this QR code.



MASTER
Chef^{TM/MC}

Visit **www.masterchefbbqs.com**
to complete product registration.

Master Chef® Customer Service
1-855-453-2150

Trileaf Distributions Trifeuil
Toronto, Ontario M4S 2B8