



# T480 Barbeque Assembly Manual

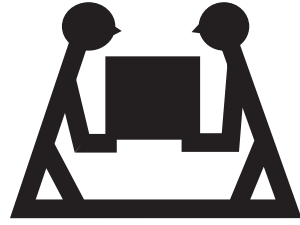
---

85-3100-2 (G43205) Propane  
85-3101-0 (G43206) Natural Gas

**1 YEAR LIMITED WARRANTY**

**READ AND SAVE MANUAL FOR FUTURE REFERENCE.  
If pre-assembled, leave this manual with unit for  
consumer's future reference.**

**For product inquiries, parts, warranty and  
troubleshooting support, please call 1-877-707-5463.**



**HEAVY ARTICLE NEEDS 2 TO LIFT**

**THIS MANUAL MUST REMAIN WITH THE PRODUCT AT ALL TIMES**

To ORDER non-warranty replacement parts or accessories, or to register your warranty, please visit us on the web at [www.masterchefbbqs.com](http://www.masterchefbbqs.com)

**CAUTION**

Sharp edges. Wear gloves when assembling your grill.

**CAUTION**

Read and follow all safety statements, assembly instructions, and use and care directions before attempting to assemble and cook.

**INSTALLER OR ASSEMBLER/CONSUMER**

This manual should be kept with the BBQ at all times.

**WARNING**

Failure to follow all of the Manufacturer's instructions could result in hazardous fires, explosions, property damage, or serious personal injury or even death.

Follow all leak check procedures carefully prior to operation of barbecue, even if grill was dealer assembled. Do not try to light this barbecue without reading the Lighting Instructions section of this manual.

**DANGER**

1. If you smell Gas:
  - a. Shut off gas to the appliance
  - b. Extinguish any open flame
  - c. Open lid
  - d. If odor continues, keep away from the appliance and immediately call your gas supplier or your fire department
2. Do not store or use gasoline or other flammable vapours and liquids in the vicinity of this or any other appliance.
3. An LP cylinder not connected for use shall not be stored in the vicinity of this or any other appliance.
4. Requires two people to complete the assembly process.
5. Beware of sharp edges.

**THIS BARBECUE IS FOR OUTDOOR USE ONLY**

**CONTACT CALL CENTRE IF ANY PARTS ARE MISSING**

**1-877-707-5463**

**HARDWARE PACK**

**TOOLS NEEDED FOR ASSEMBLY**

- #2 Phillips screwdriver (long and short)
- ¼" Slotted screwdriver (long and short)
- Adjustable wrench
- Pliers
















Before assembling the barbecue, read these instructions carefully.

Assemble the barbecue on a flat, clean surface. Grill is heavy. You should have at least two people assemble the barbecue together.

**Notes: Do not fully tighten all the nuts during this initial stage.**

KEY #	DESCRIPTION	PART NUMBER	QUANTITY
1	#8X3/8" Self Tapping Screw	22500-42010-136	22
2	1/4"-20UNC x13 Screw	20120-13013-036	18
3	1/4"-20UNC Nut	31220-13000-036	18
4	NO.8-32UNC x10 Screw	20132-08010-250	2
5	Ø7 Flat Washer	40300-07000-036	4
6	Ø7 Lock Washer	41400-07000-206	4
7	Ø7 Fiber Washer	G431-0018-9000	8
8	Ø5 Flat Washer	40300-04000-250	4
9	Ø5 Lock Washer	41400-04000-132	4
10	Venturi Clip, Side Burner	G405-0019-9200	1
11	M4 Wing Nut	33301-04000-032	1
12	Wrench	G401-0071-0182	1
13	Control Knob	G430-0026-01	1
14	Bezel, Control Knob	G430-0027-01	1
15	NO. 10-32UNC x 10 Screw	20132-06010-250	4

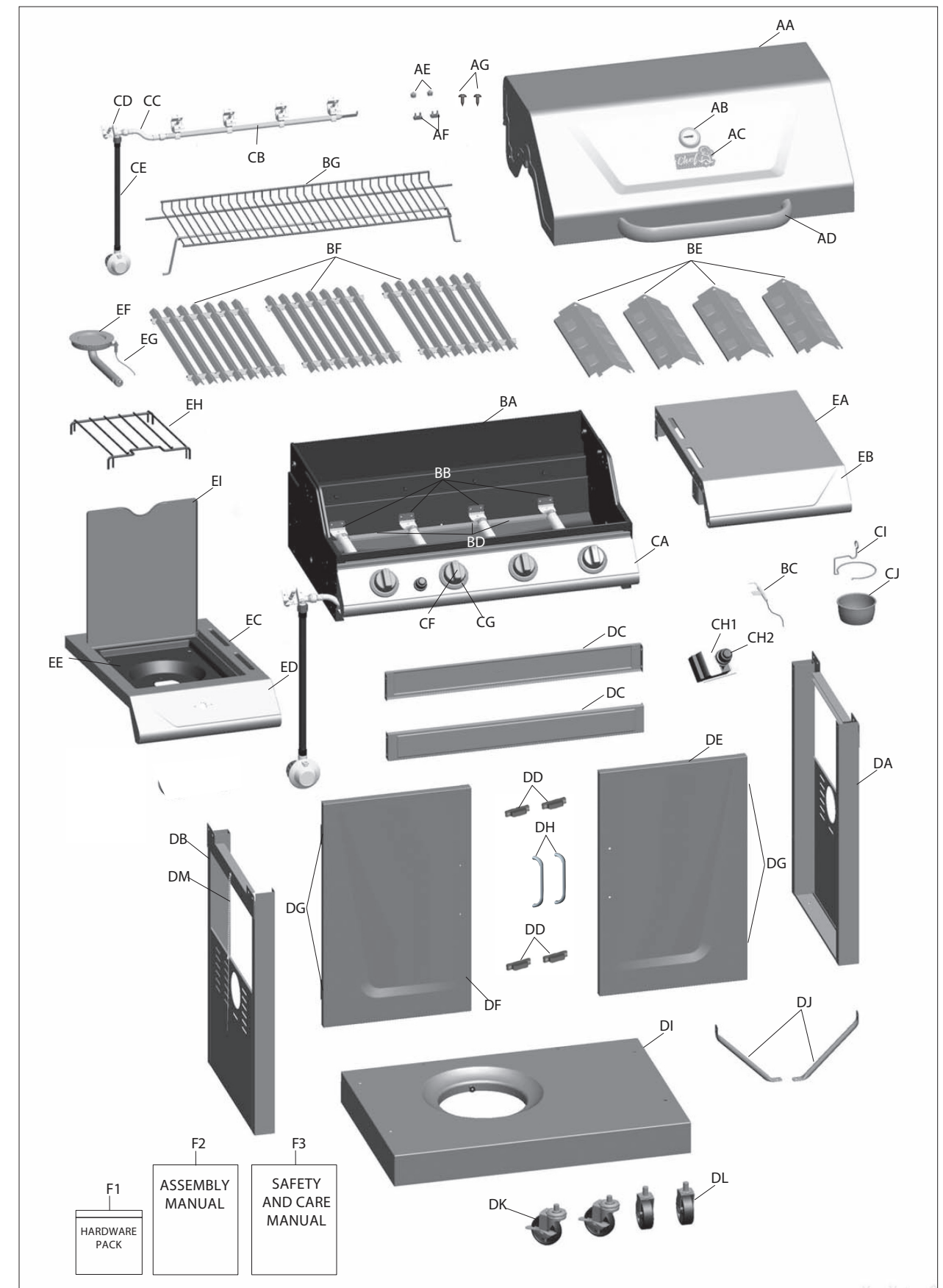
**Caution:** Sheet metal can cause injury. Wear gloves when installing the grill.

 #8X3/8" Self Tapping Screw X 22	 ¼" - 20UNCX13 Screw X 18	 ¼" - 20UNC Nut X 18
 NO.8-32UNC x10 Screw X 2	 Ø7 Flat Washer X 4	 Ø7 Lock Washer X 4
 Ø7 Fiber Washer X 8	 Ø5 Flat Washer X 4	 Ø5 Lock Washer X 4
 Venturi Clip, Side Burner X 1	 M4 Wing Nut X 1	 Wrench X 1
 Control Knob X 1	 Bezel, Control Knob X 1	 NO. 10-32UNC x 10 Screw X 4

## PARTS LIST (PROPANE) FOR 85-3100-2 (G43205)

KEY #	QUANTITY	DESCRIPTION	PART NO.
AA	1	Top lid assembly	G432-3700-01
AB	1	Thermometer	G451-0008-01
AC	1	Logo plate	G451-0001-01
AD	1	Top lid handle	G413-0001-01
AE	2	Lid bumpers-back	G303-0038-01
AF	2	Lid bumpers-front	G430-00B8-01
AG	2	Screws for Lid	G430-0024-01
BA	1	Burner box assembly	G432-1900-01
BB	4	Burners	G432-1700-01
BC	1	Electrode set, main burners	G501-0010-01
BD	3	Burner brace assembly	G413-0004-01
BE	4	Flame tamer	G430-0005-01
BF	3	Cooking grate	G432-4300-01
BG	1	Warming rack	G432-0001-01
CA	1	Control panel	G432-0017-01
CB	1	Manifold assembly	G432-2000-01
CC	1	Metal hose, side burner	G432-1102-01
CD	1	Side burner valve	G451-0302-01
CE	1	Regulator	G433-0034-01
CF	4	Control knob	G430-0026-01
CG	4	Bezel, control knob	G430-0027-01
CH1	1	Electronic ignition assembly	G430-0008-01
CH2	1	Electronic ignition button	G501-0072-A1
CI	1	Grease cup hook	G305-0043-01
CJ	1	Grease cup	G430-0033-02
DA	1	Cart side panel- right	G432-2400-01
DB	1	Cart side panel-left	G432-2100-01
DC	2	Upper rail	G432-0018-01
DD	4	Magnet assembly	G439-0035-01
DE	1	Door assembly, right	G432-2301-01
DF	1	Door assembly, left	G432-2201-01
DG	4	Hinge	G433-0021-01
DH	2	Door handle	G413-0016-02
DI	1	Bottom shelf	G432-2500-01
DJ	2	Support bracket, side panel	G432-0019-01
DK	2	Caster with lock	G105-0700-01
DL	2	Caster	G606-0027-01
DM	1	Match holder	G401-0079-01
EA	1	Side shelf table -right	G430-1500-01
EB	1	Side shelf fascia -right	G451-0003-01
EC	1	Side burner table -left	G430-1600-01
ED	1	Side burner fascia -left	G432-0038-01
EE	1	Side burner- drip pan	G430-0034-01
EF	1	Side burner	G430-2900-01
EG	1	Electrode set, side burner	G430-0042-01
EH	1	Side burner grate	G405-0004-01
EI	1	Side burner lid	G430-0018-01
F1	1	Hardware pack	G432-B005-01
F2	1	Assembly manual	G432-M005-01
F3	1	Safe Use and Care Manual	G207-M015-02

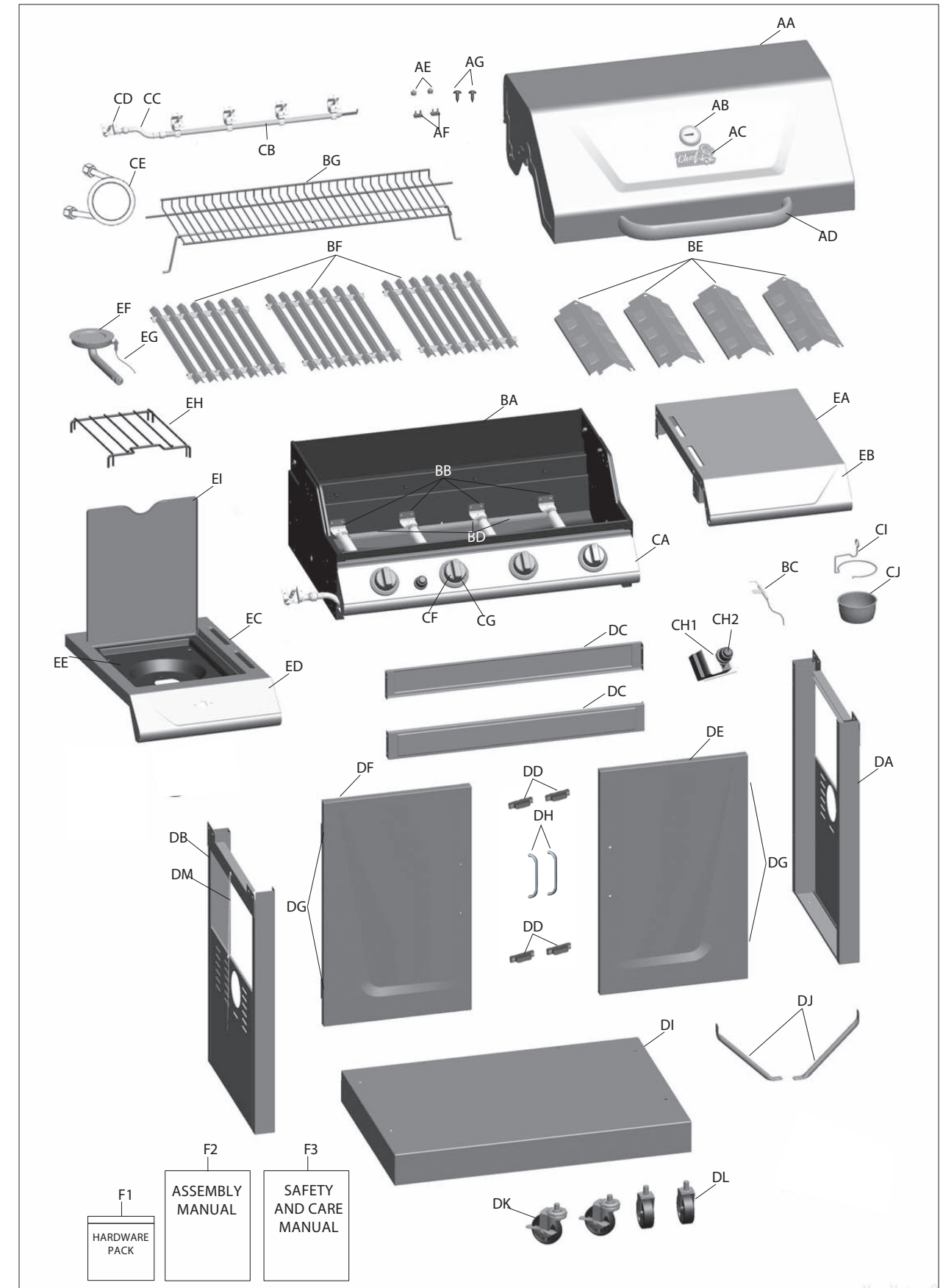
## EXPLODED DIAGRAM (PROPANE) FOR 85-3100-2 (G43205)



## PARTS LIST (NATURAL GAS) FOR 85-3101-0 (G43206)

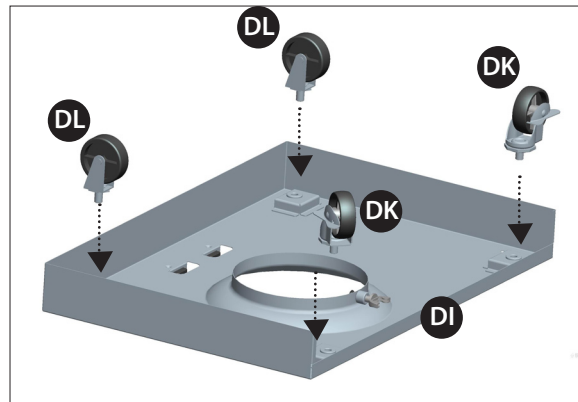
KEY #	QUANTITY	DESCRIPTION	PART NO.
AA	1	Top lid assembly	G432-3700-01
AB	1	Thermometer	G451-0008-01
AC	1	Logo plate	G451-0001-01
AD	1	Top lid handle	G413-0001-01
AE	2	Lid bumpers-back	G303-0038-01
AF	2	Lid bumpers-front	G430-00B8-01
AG	2	Screws for Lid	G430-0024-01
BA	1	Burner box assembly	G432-1900-01
BB	4	Burners	G431-0300-01
BC	1	Electrode set, main burners	G501-0010-01
BD	3	Burner brace assembly	G413-0004-01
BE	4	Flame tamer	G430-0005-01
BF	3	Cooking grate	G432-4300-01
BG	1	Warming rack	G432-0001-01
CA	1	Control panel	G432-0017-01
CB	1	Manifold assembly	G432-2600-01
CC	1	Metal hose, side burner	G432-1102-01
CD	1	Side burner valve	G451-0602-01
CE	1	Natural gas hose	G501-0099-01
CF	4	Control knob	G430-0026-01
CG	4	Bezel, control knob	G430-0027-01
CH1	1	Electronic ignition assembly	G430-0008-01
CH2	1	Electronic ignition button	G501-0072-A1
CI	1	Grease cup hook	G305-0043-01
CJ	1	Grease cup	G430-0033-02
DA	1	Cart side panel- right	G432-2400-01
DB	1	Cart side panel-left	G432-2100-01
DC	2	Upper rail	G432-0018-01
DD	4	Magnet assembly	G439-0035-01
DE	1	Door assembly, right	G432-2301-01
DF	1	Door assembly, left	G432-2201-01
DG	4	Hinge	G433-0021-01
DH	2	Door handle	G413-0016-02
DI	1	Bottom shelf	G432-3800-01
DJ	2	Support bracket, side panel	G432-0019-01
DK	2	Caster with lock	G105-0700-01
DL	2	Caster	G606-0027-01
DM	1	Match holder	G401-0079-01
EA	1	Side shelf table -right	G430-1500-01
EB	1	Side shelf fascia -right	G451-0003-01
EC	1	Side burner table -left	G430-1600-01
ED	1	Side burner fascia -left	G432-0038-01
EE	1	Side burner- drip pan	G430-0034-01
EF	1	Side burner	G451-0800-01
EG	1	Electrode set, side burner	G430-0042-01
EH	1	Side burner grate	G405-0004-01
EI	1	Side burner lid	G430-0018-01
F1	1	Hardware pack	G432-B005-01
F2	1	Assembly manual	G432-M005-01
F3	1	Safe Use and Care Manual	G207-M015-02

## EXPLODED DIAGRAM (NATURAL GAS) FOR 85-3101-0 (G43206)



## ASSEMBLY INSTRUCTIONS

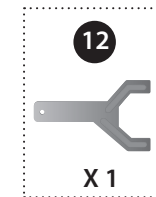
1



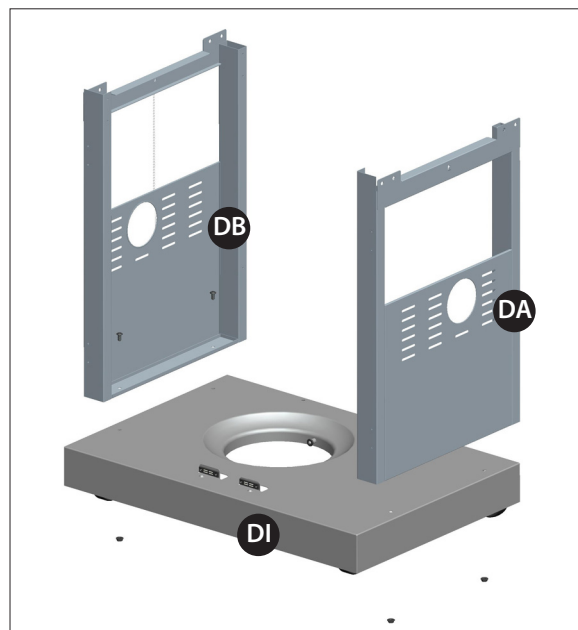
Separate the 2 different types of castors, 2 x caster with lock (DK) and 2 x casters (DL). Attach the caster with lock (DK) to the back of the bottom shelf (DI), and the casters (DL) to the front of the bottom shelf (DI).

To secure the 4 casters, hand tighten first. Then, tighten further using the wrench (#12) provided in the hardware pack.

YOU WILL NEED:

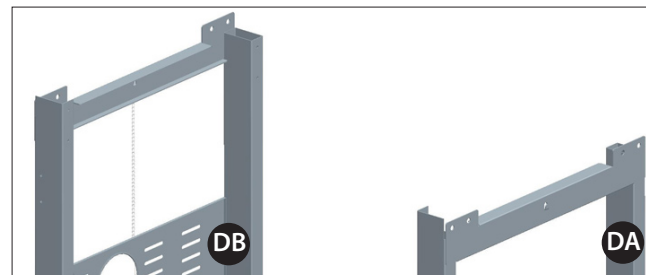


2

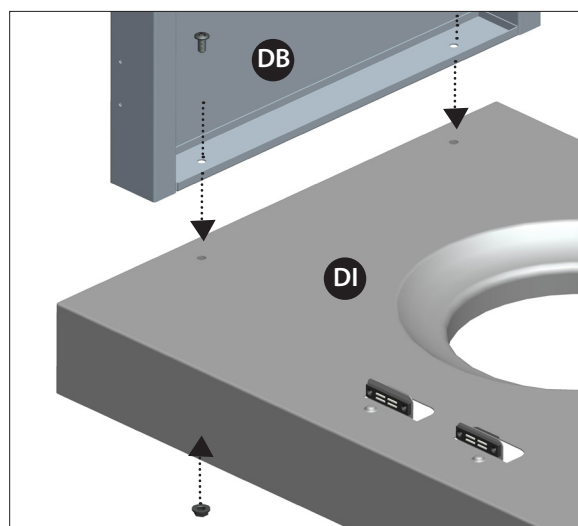
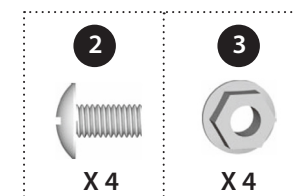


Ensure that the casters are firmly locked in the "ON" position before continuing. Assemble the cart side panel-left (DB) and the cart side panel-right (DA) to the bottom shelf (DI).

**TIP: Make sure that the Cart side panels are aligned with the back corners of the Bottom shelf before fully tightening screws.**

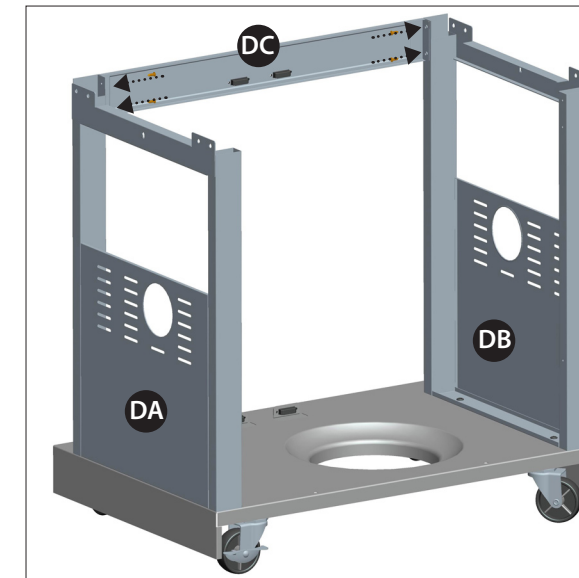


YOU WILL NEED:



## ASSEMBLY INSTRUCTIONS

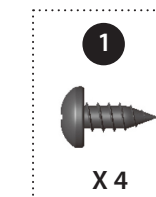
3



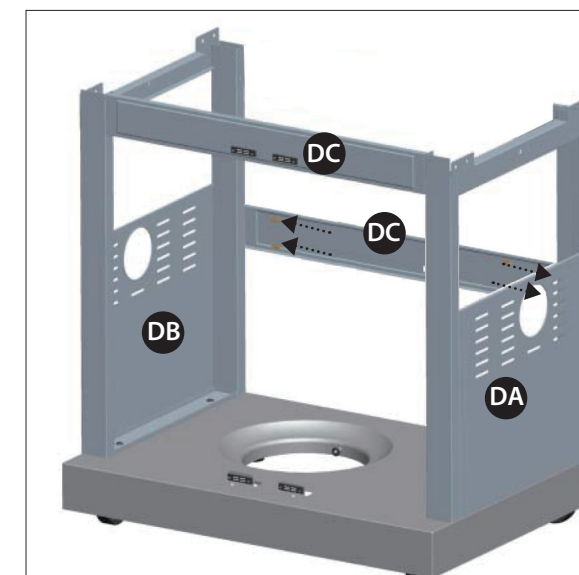
Attach the upper rail (DC) to the front of the right and left cart side panels (DA and DB).

**TIP: One person should align the upper rail, while the second person assembles the hardware.**

YOU WILL NEED:

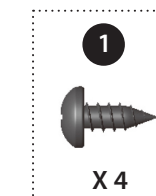


4



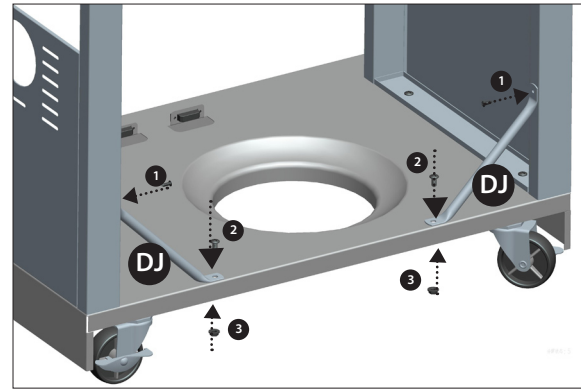
Assemble the second upper rail (DC) to the rear, left and right cart side panels (DA, DB) as shown.

YOU WILL NEED:



# ASSEMBLY INSTRUCTIONS

5

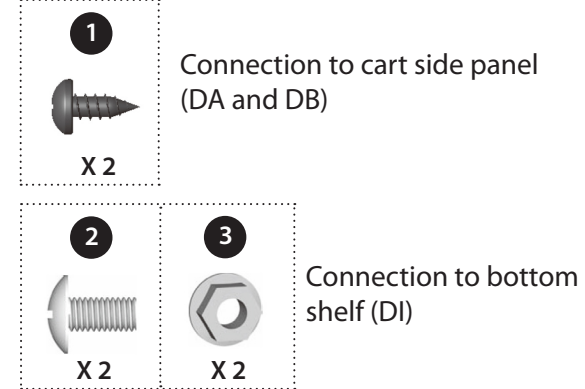


Back Side View

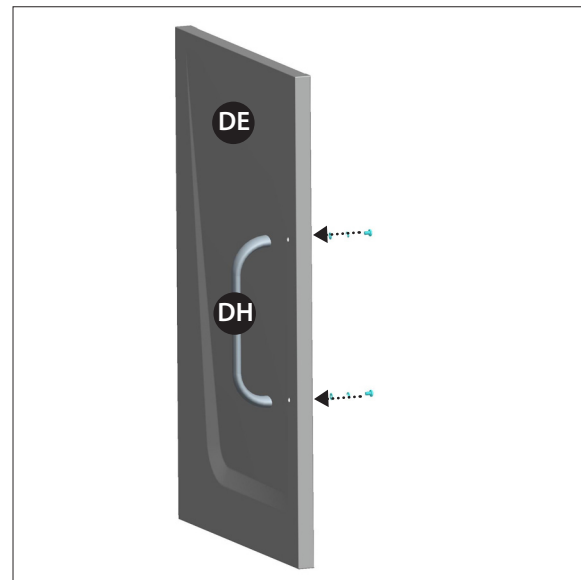
Assemble the side panel support brackets (DJ) to both the right and left cart side panels (DA and DB) and the bottom shelf (DI).

**NOTE: SMALLER HOLE ON SUPPORT BRACKET (DJ) IS FOR HARDWARE #1.**

YOU WILL NEED:

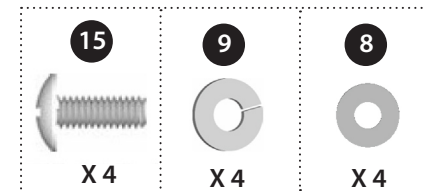


6



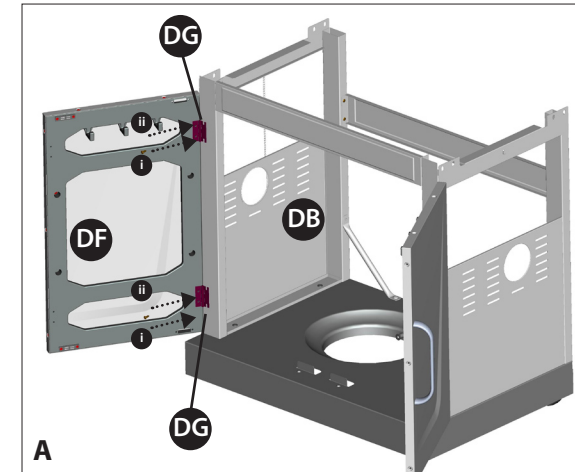
Assemble the door handles (DH) to the right and left door assembly (DE and DF).

YOU WILL NEED:



# ASSEMBLY INSTRUCTIONS

7

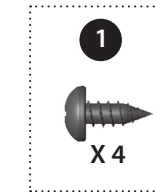


Assemble the left door hinge (DG) to the left cart side panel (DB).

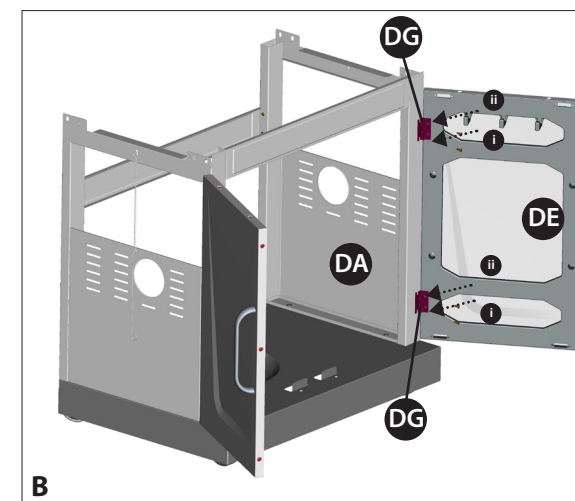
**TIP: One person should align the left door, while the second person assembles the hardware.**

- i Screw hardware #1 into the two positions indicated in figure A. Do not tighten.
- Slide door on to the screws.
- ii Finish assembling using hardware #1. Once complete slowly tighten all hardware

YOU WILL NEED:



8

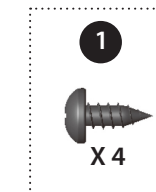


Assemble the right door hinge (DG) to the left cart side panel (DA).

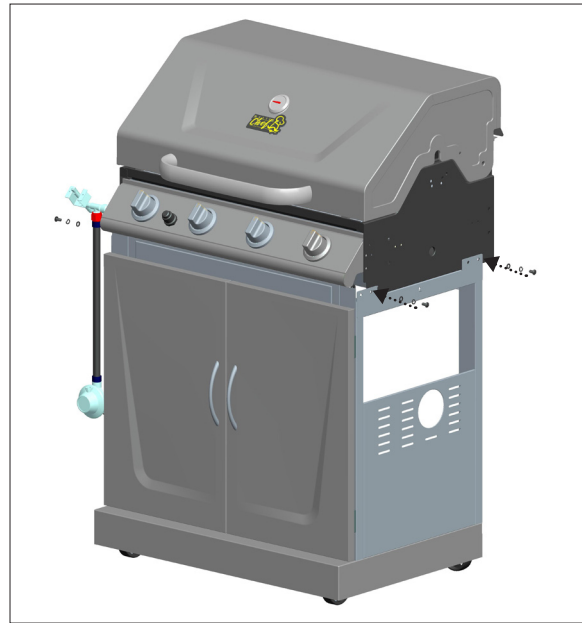
**TIP: One person should align the left door, while the second person assembles the hardware.**

- i Screw hardware #1 into the two positions indicated in figure B. Do not tighten.
- Slide door on to the screws.
- ii Finish assembling using hardware #1. Once complete slowly tighten all hardware

YOU WILL NEED:



9

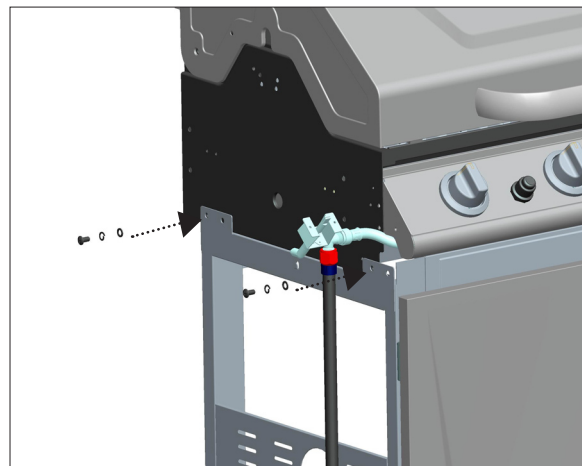


**THIS STEP REQUIRES 2 OR MORE PEOPLE. DO NOT ATTEMPT ALONE. EXTREMELY HEAVY.**

- a. Position the top lid and burner box assembly (A and B) onto cart assembly (C) as shown.

**FOR PROPANE MODELS ONLY**

Ensure that the Regulator (CE) is hanging outside of the cart, before assembling hardware.

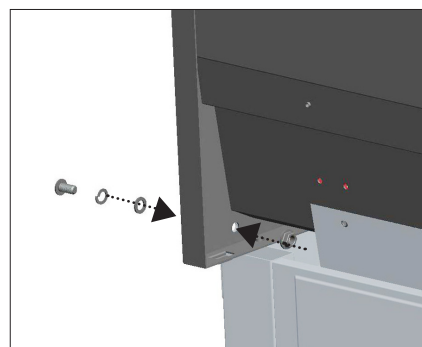
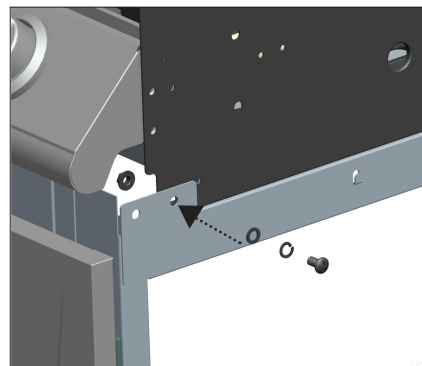
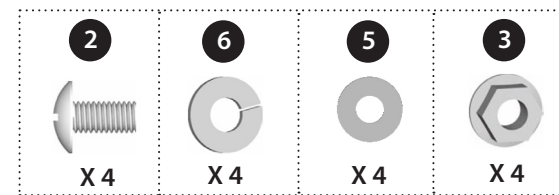


- b. Use the hardware to connect both parts, on the left and right sides, at the two points indicated.

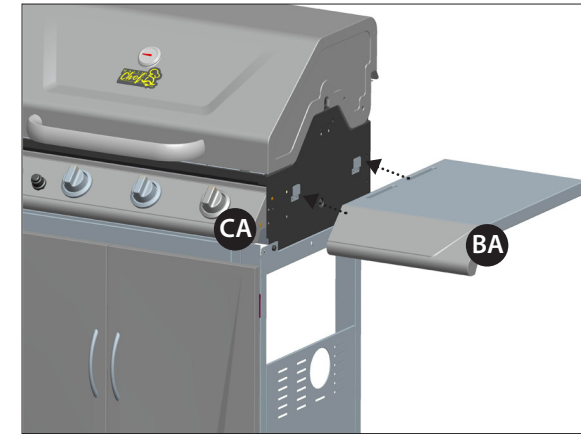
**FOR PROPANE MODELS ONLY**

Feed hose and regulator (CE) through the hole located in the left cart side panel (DB)

YOU WILL NEED:

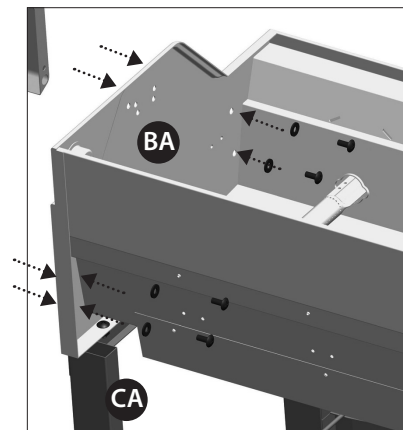


10



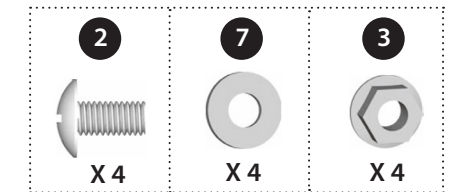
**RIGHT SIDE SHELF ASSEMBLY**

*TIP: To position the right side shelf assembly (EA and EB), insert the two hooks on the side shelf assembly into the two hooks located on the right burner box side panel (BA).*

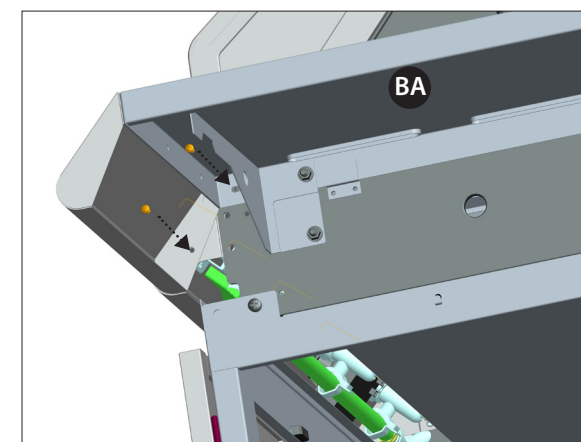
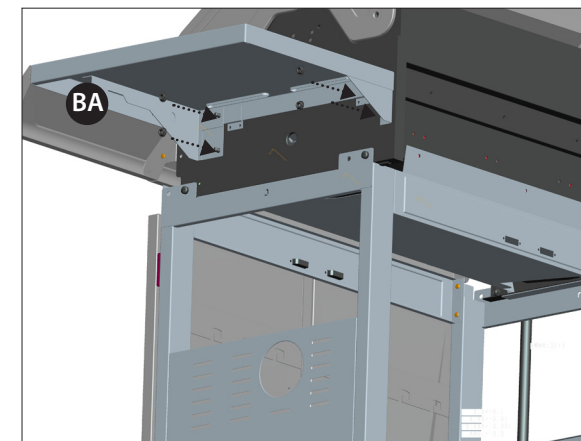


Assemble the right side shelf assembly (EA and EB) to the burner box (BA) and control panel (CA), as shown.

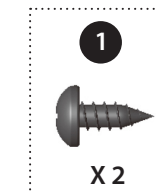
YOU WILL NEED:



Side Shelf Table

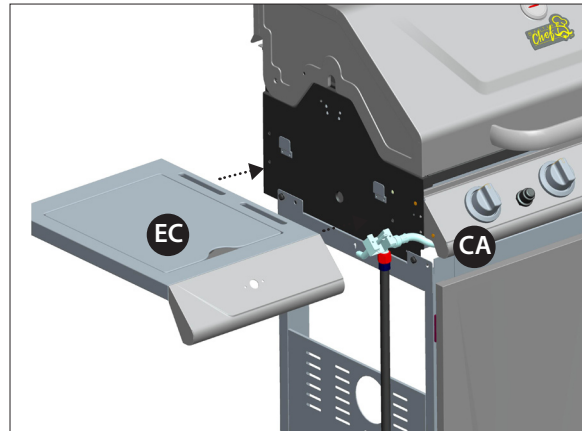


YOU WILL NEED:



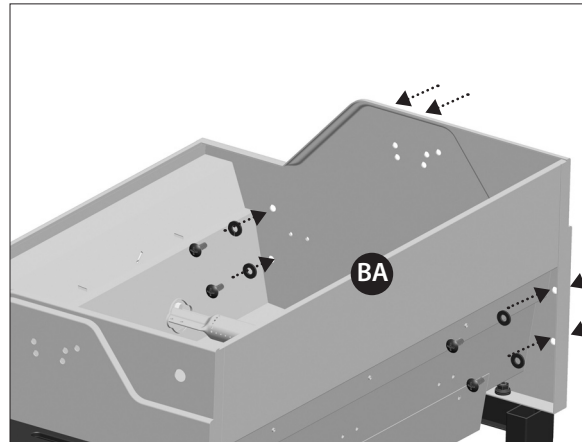
Side Shelf Fascia

11



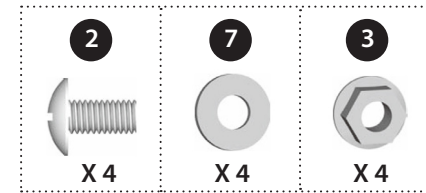
LEFT SIDE SHELF ASSEMBLY

**TIP:** To position the left side shelf assembly (EC and ED), insert the two hooks on the side shelf assembly into the two hooks located on the left burner box side panel (BA).

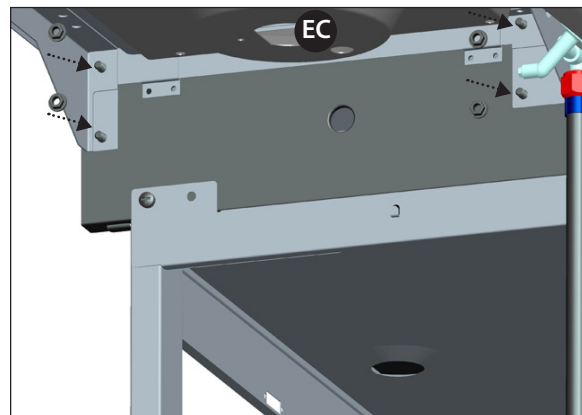


a. Assemble the left side shelf assembly (EC and ED) to the burner box (BA) and control panel (CA), as shown.

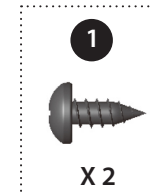
YOU WILL NEED:



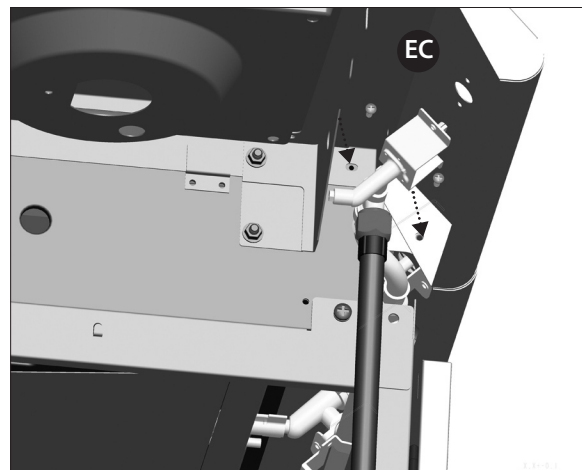
Side Shelf Table



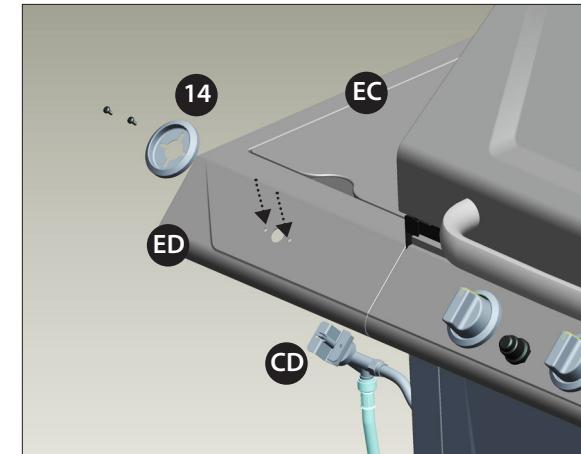
YOU WILL NEED:



Side Shelf Fascia

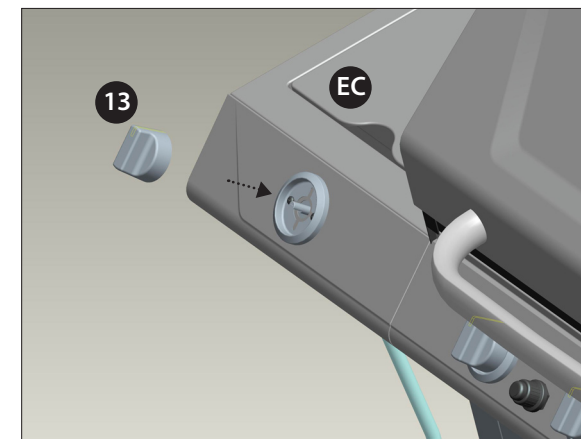
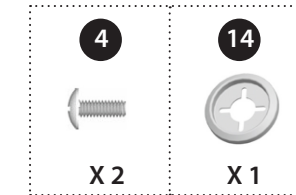


12



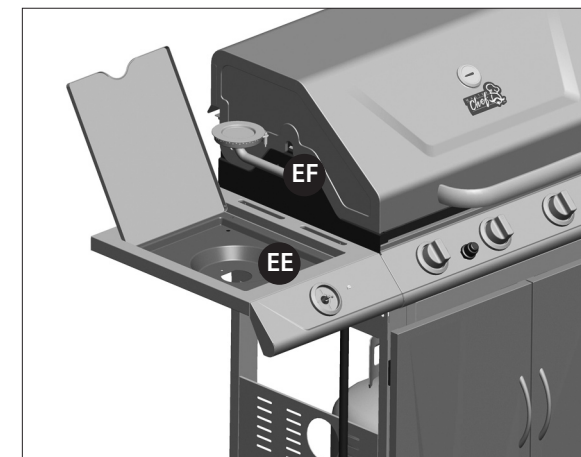
b. **Two people required in this step.** Insert the side burner valve stem (CD) through the back of the left side shelf fascia (ED). Position the bezel (#14) on the front of the left side shelf fascia (ED), and align all holes. Assemble all three parts together, as shown.

YOU WILL NEED:

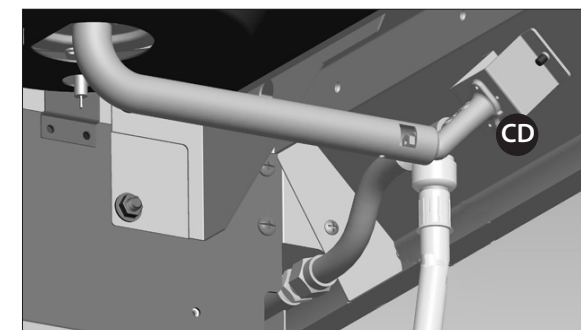


c. Assemble the side burner control knob (#14) to the side burner valve (CD).

YOU WILL NEED:



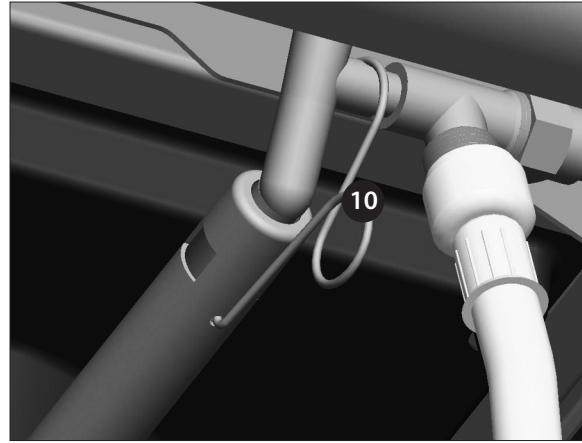
d. Position the side burner (EF) through the opening in the left side burner drip pan (EE). **Make sure that the side burner engages the side burner valve, as shown.**





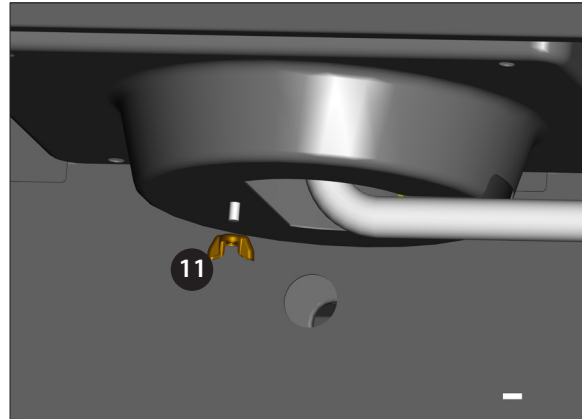
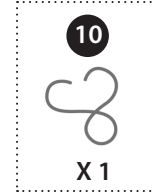
## ASSEMBLY INSTRUCTIONS

# 13



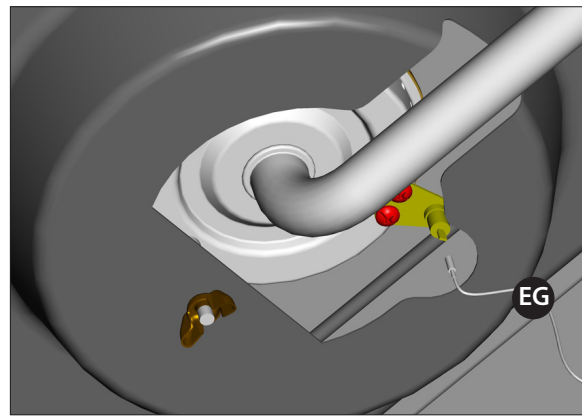
e. Use the side burner Venturi clip (#10) to connect the side burner to the side burner valve.

YOU WILL NEED:

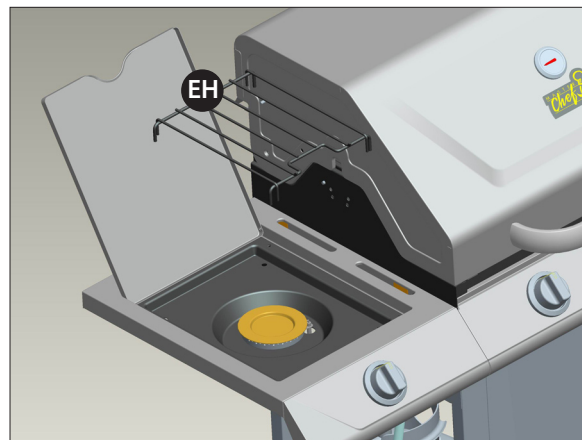


f. Using the wing nut provided, assemble the side burner (EF) to the side burner drip pan (EE), as shown.

YOU WILL NEED:



g. Attach the end of the side burner electrode wire (EG) to the underside of the side burner electrode, as shown. **Ensure that the wire is pushed in firmly.**



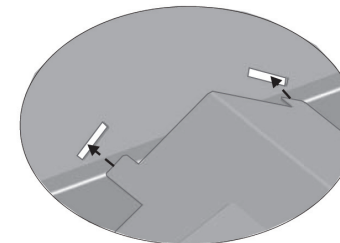
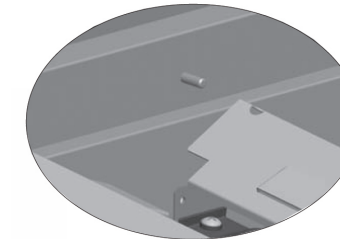
h. Place the side burner cooking grate (EH) into position on the side burner shelf, as shown.

## ASSEMBLY INSTRUCTIONS

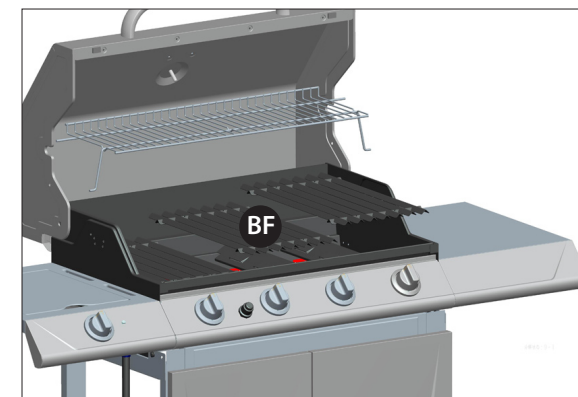
# 14



Place the flame tamers (BE) into the burner box assembly (BA), as shown.



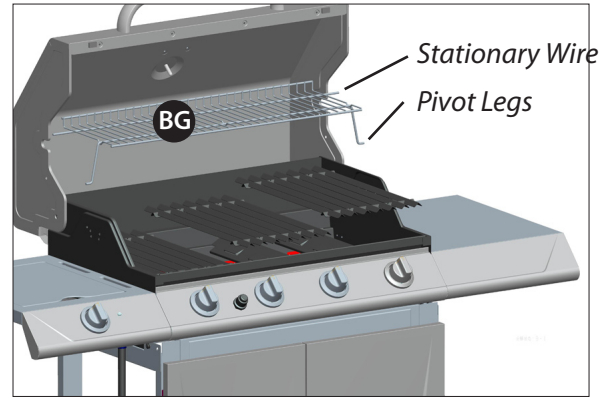
# 15



Place the cooking grates (BF) into the burner box assembly (BA), as shown.

## ASSEMBLY INSTRUCTIONS

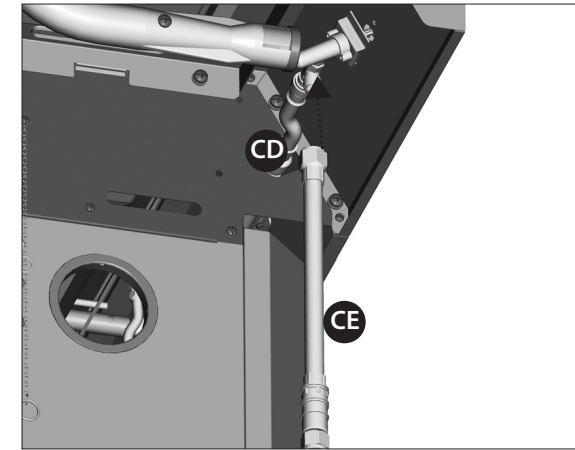
# 16



To assemble the warming rack (BG), insert the stationary wire into the holes on the sides of the lid. Insert warming rack pivot legs into the holes on the inside of the burner box assembly (BA), as shown.

## ASSEMBLY INSTRUCTIONS

# 18

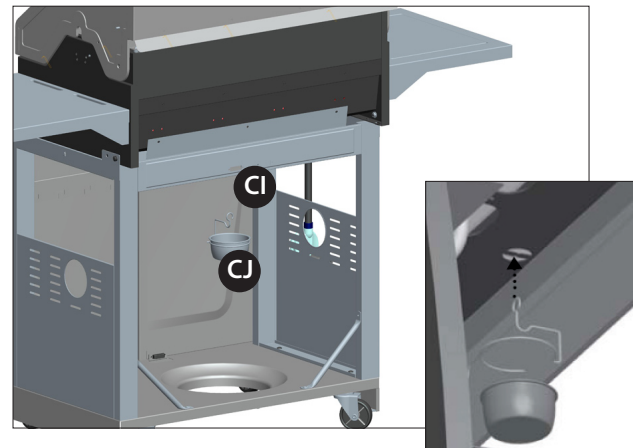


### NATURAL GAS MODELS ONLY

Attach the natural gas hose (CE) to the side burner valve fitting (CD), as shown.

**ATTENTION:** In order to complete installation of your natural gas BBQ a 1/2" or 3/8" adapter may be required to connect your BBQ's natural gas hose to your home gas supply. Contact your natural gas supplier to purchase the necessary part.

# 17



Hang the grease cup hook (CI) from the bottom of the burner box assembly (BA), and place grease cup (CJ) into position.

**ATTENTION:** LP Cylinder is sold separately. Use only LP tanks that are equipped with an OPD (Overfill protection device). Fill and Leak check before attaching to the BBQ hose and regulator (CE). See Safe Use and Care Manual (F3), leak test procedure for more information.

### ⚠ CAUTION ⚠

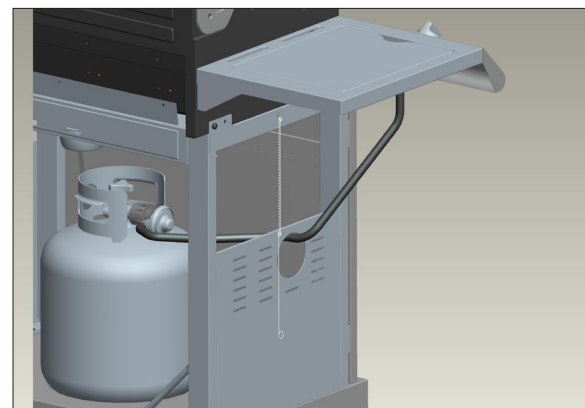
Failure to assemble grease cup hook and grease cup will cause hot grease to drip from the bottom of the BBQ burner box, with the risk of fire, property damage, or personal injury.

### ⚠ CAUTION ⚠

Cylinder valve must face to the front of cart once the tank is attached. Failure to install cylinder correctly may allow gas hose to be damaged in operation, resulting in fire.

### ⚠ WARNING ⚠

Always keep LP cylinder in upright position during use, transport and storage.



# 19



### Electronic ignition battery not included.

Unscrew the electronic ignition button (CH2) and insert one AA battery into the electronic igniter battery compartment, with the positive end facing outward.