



# **S280 Barbecue Assembly Manual**

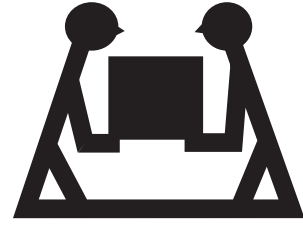
---

**85-3002-6 (G20717) Propane**

**1 YEAR LIMITED WARRANTY**

**READ AND SAVE MANUAL FOR FUTURE REFERENCE.  
If pre-assembled, leave this manual with unit for  
consumer's future reference.**

**For product inquiries, parts, warranty and  
troubleshooting support, please call 1-877-707-5463.**



**HEAVY ARTICLE NEEDS 2 TO LIFT**

**THIS MANUAL MUST REMAIN WITH THE PRODUCT AT ALL TIMES**

To ORDER non-warranty replacement parts or accessories, or to register your warranty, please visit us on the web at [www.masterchefbbqs.com](http://www.masterchefbbqs.com)

**CAUTION**

Sharp edges. Wear gloves when assembling your grill.

**CAUTION**

Read and follow all safety statements, assembly instructions, and use and care directions before attempting to assemble and cook.

**INSTALLER OR ASSEMBLER/CONSUMER**

This manual should be kept with the BBQ at all times.

**WARNING**

Failure to follow all of the Manufacturer's instructions could result in hazardous fires, explosions, property damage, or serious personal injury or even death.

Follow all leak check procedures carefully prior to operation of barbecue, even if grill was dealer assembled. Do not try to light this barbecue without reading the Lighting Instructions section of this manual.

**DANGER**

1. If you smell Gas:
  - a. Shut off gas to the appliance
  - b. Extinguish any open flame
  - c. Open lid
  - d. If odor continues, keep away from the appliance and immediately call your gas supplier or your fire department

2. Requires two people to complete the assembly process.

3. Beware of sharp edges.

**WARNING**

1. Do not store or use gasoline or other flammable liquids or vapours in the vicinity of this or any other appliance.
2. An LP cylinder not connected for use shall not be stored in the vicinity of this or any other appliance.

**THIS BARBECUE IS FOR OUTDOOR USE ONLY**

**CONTACT CALL CENTRE IF ANY PARTS ARE MISSING**

**1-877-707-5463**

**HARDWARE PACK**

**TOOLS NEEDED FOR ASSEMBLY**

- #2 Phillips screwdriver (long and short)
- ¼" Slotted screwdriver (long and short)
- Adjustable wrench
- Pliers

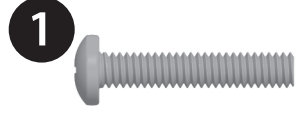
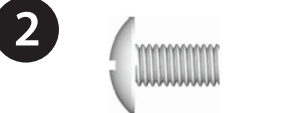

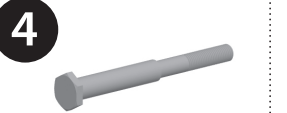

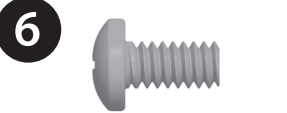
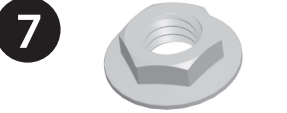





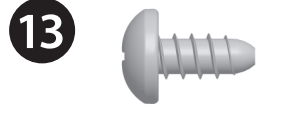



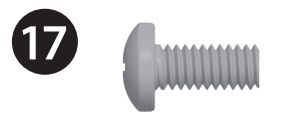


Before assembling the barbecue, read these instructions carefully.

Assemble the barbecue on a flat, clean surface. Grill is heavy. You should have at least two people assemble the barbecue together.

**Notes: Do not fully tighten all the nuts during this initial stage.**

KEY #	DESCRIPTION	PART NUMBER	QUANTITY
1	1/4"-20UNC X35 Screw	20120-13035-036	26
2	1/4"-20UNC X13 Screw	20120-13013-036	12
3	1/4"-20UNC NUT	31220-13000-036	40
4	Bolt (for wheel)	G207-0035-9084	2
5	Washer (for wheel)	G301-0028-9084	2
6	NO.10-24UNCx13 Screw	20124-10013-036	11
7	NO.10-20UNC NUT	31224-10000-036	7
8	Fibre Washer A	G431-0018-9000	18
9	Fibre Washer B	G437-0050-9000	6
10	1/4"-20UNC Wing NUT	33300-13000-032	2
11	Bolt (lid)	G306-0004-9188	2
12	Hitch Pins	G306-0005-9088	2
13	ST4.2X8 Tapping Screw	24200-42008-136	3
14	Fibre Washer C	G437-0049-9000	4
15	No.8 Wing Nut	33300-08000-032	1
16	Venturi clip, side burner	G436-0025-9084	1
17	NO.8-32UNCx10 Screw	20132-08010-036	2
18	NO.10-24UNCx35 Screw	20124-10035-036	8
19	Wheel Bolt Washer	G207-0037-9088	1

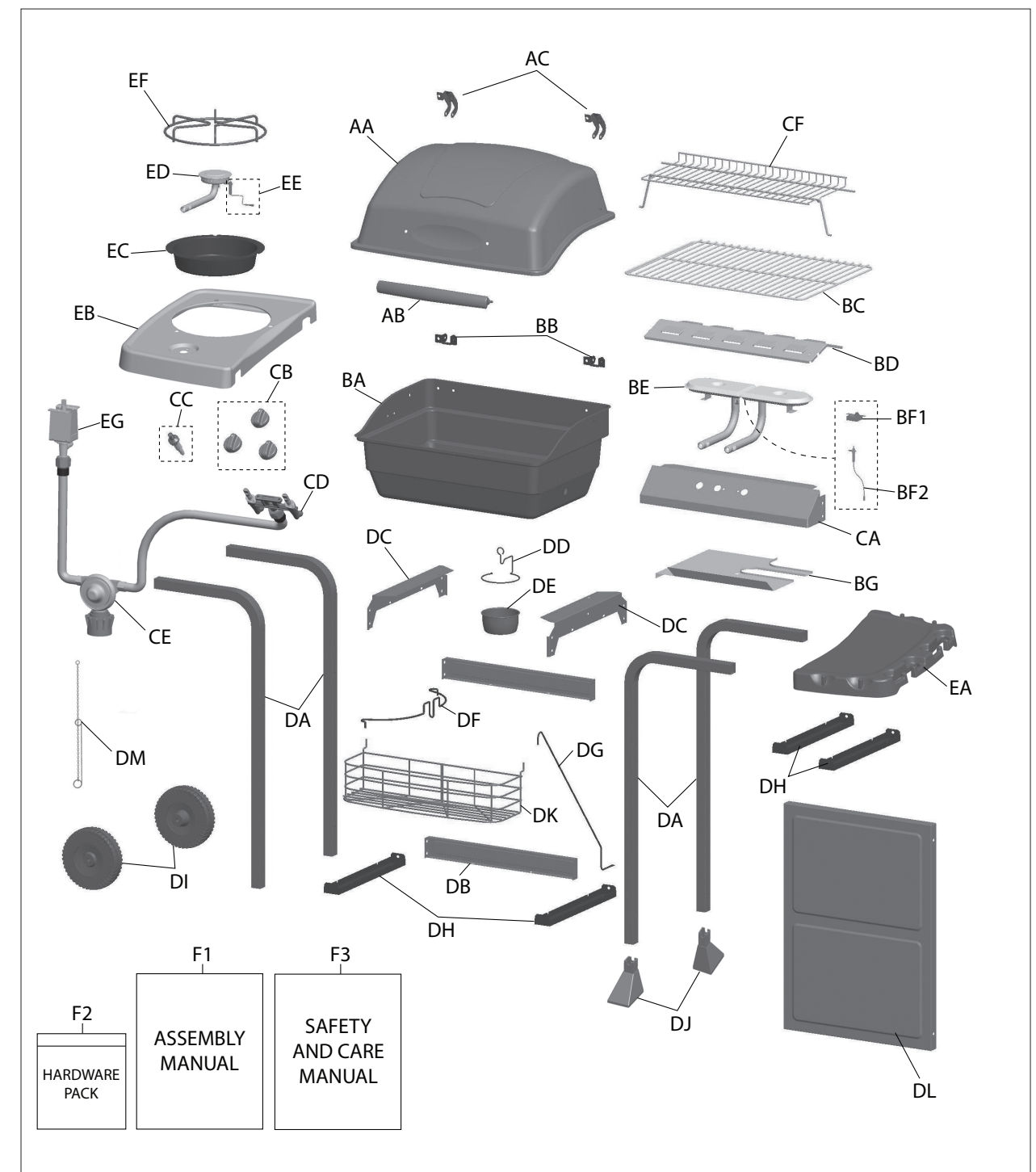
**Caution:** Sheet metal can cause injury. Wear gloves when installing the grill.

 1/4"-20UNC X35 Screw X 26	 1/4" - 20UNC x13 Screw X 12	 1/4" - 20UNC Nut X 40	 Bolt (for wheel) X 2
 Washer (for wheel) X 2	 NO.10-24UNCx13 Screw X 11	 NO.10-20UNC Nut X 7	 Fiber Washer A X 18
 Fiber Washer B X 6	 1/4"-20UNC Wing Nut X 2	 Bolt (lid) X 2	 Hitch Pin X 2
 ST4.2X8 Tapping Screw X 3	 Fibre Washer C X 4	 No.8 Wing Nut X 1	 Venturi Clip, Side Burner X 1
 NO.8-32UNC x10 Screw X 2	 NO.10-24UNC x35 Screw X 8	 Wheel Bolt Washer X 1	

## PARTS LIST (PROPANE) FOR 85-3002-6 (G20717)

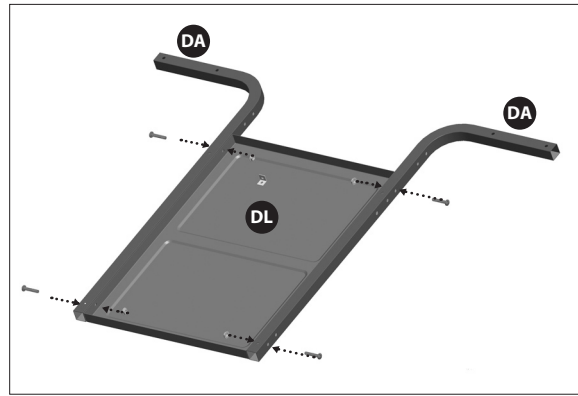
KEY #	QUANTITY	DESCRIPTION	PART NO.
AA	1	Top lid assembly	G208-0001-01
AB	1	Top lid handle	G305-0090-01
AC	2	Upper hinge	G206-0002-A1
BA	1	Burner box assembly	G205-0010-02
BB	2	Lower hinge	G206-0010-A1
BC	1	Cooking grate	G206-0006-01
BD	1	Flame tamer	G210-0003-01
BE	1	Burner	G207-2400-01
BF1	1	Collector Box	G206-0014-02
BF2	1	Electrode	G206-0302-02
BG	1	Heat shield	G207-0032-01
CA	1	Control panel	G207-0029-01
CB	3	Control knob	G401-0023-01
CC	1	Ignitor	G206-0301-01
CD	1	Valve assembly	G208-3801-01
CE	1	Regulator	G436-1005-01
CF	1	Warming rack	G205-0040-01
DA	4	Cart legs	G207-0023-01
DB	2	Support brace	G207-0024-01
DC	2	Burner box support	G206-0017-02
DD	1	Grease cup hook	G305-0043-01
DE	1	Grease cup	G430-0033-02
DF	1	Gas tank support	G207-0036-01
DG	1	Tank exclusion	G207-0026-01
DH	4	Support bracket, cart legs	G207-0025-01
DI	2	Wheel	G206-0025-01
DJ	2	End cap	G207-0038-01
DK	1	Condiment basket	G206-0047-01
DL	1	Front panel	G207-0800-01
DM	1	Match holder	G401-0079-01
EA	1	Side shelf, right	G207-0034-01
EB	1	Side burner table, left	G207-1200-01
EC	1	Side burner drip pan	G304-0016-02
ED	1	Side burner	G207-3000-01
EE	1	Electrode set, side burner	G305-0084-01
EF	1	Side burner grate	G303-0022-01
EG	1	Side burner valve	G207-0033-01
F1	1	Manual	G207-M017-01
F2	1	Hardware pack	G207-B017-01
F3	1	Safe Use and Care Manual	G207-M015-02

## EXPLODED DIAGRAM (PROPANE) FOR 85-3002-6 (G20717)



# ASSEMBLY INSTRUCTIONS

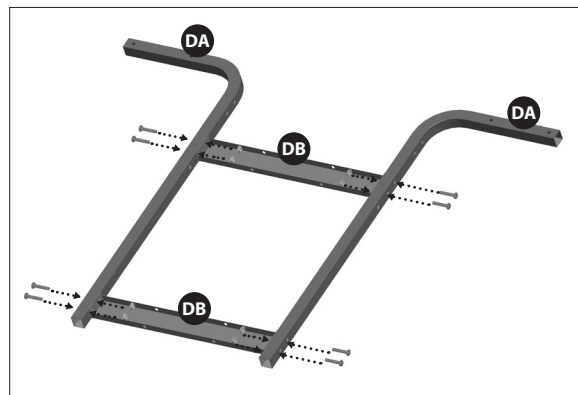
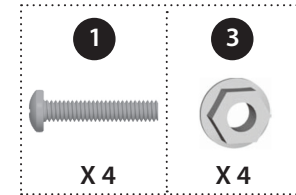
1



## TWO PEOPLE REQUIRED FOR ALL ASSEMBLY STEPS.

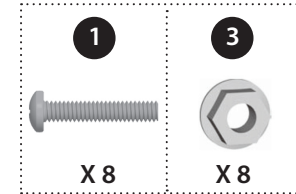
a. Front Cart Assembly: assemble the front panel (DL) to two cart legs (DA) as shown.

YOU WILL NEED:

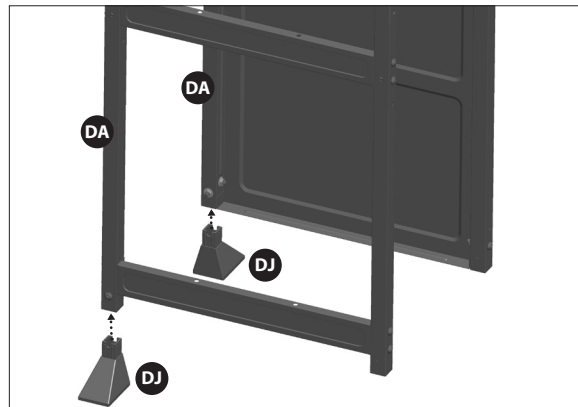


b. Back Cart Assembly: assemble two support braces (DB) to the remaining two cart legs (DA), as shown.

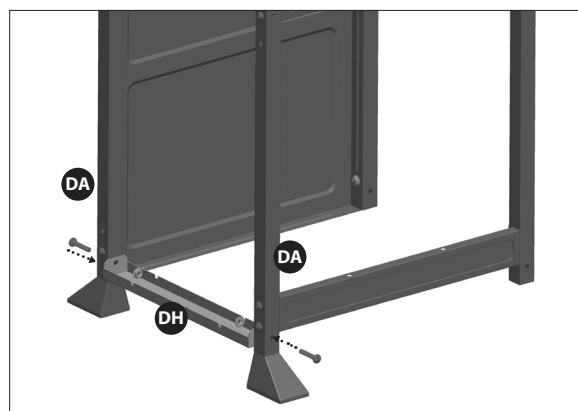
YOU WILL NEED:



2



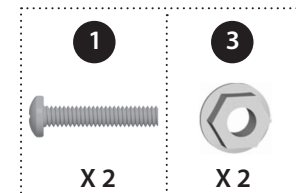
a. Assemble the end caps (DJ), to the bottom of the right side cart legs (DA).



b. Assemble the right bottom brace (DH) to the front and back cart legs (DA), as shown.

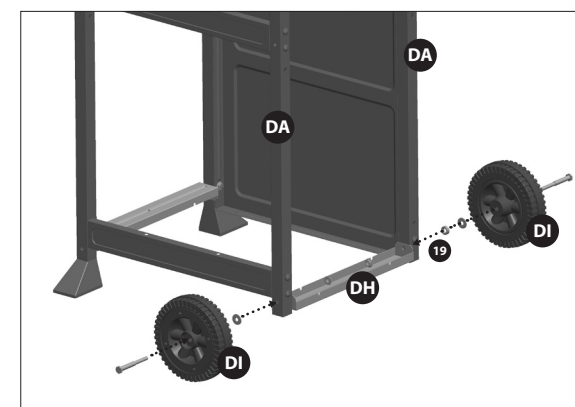
**Tip: Bottom brace (DH) grooves should be facing upward. Tighten all hardware securely.**

YOU WILL NEED:



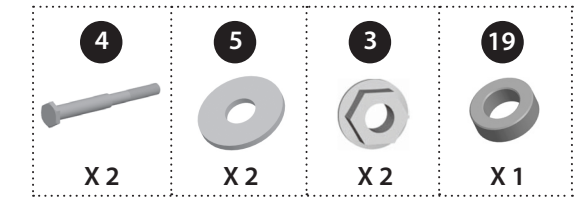
# ASSEMBLY INSTRUCTIONS

2

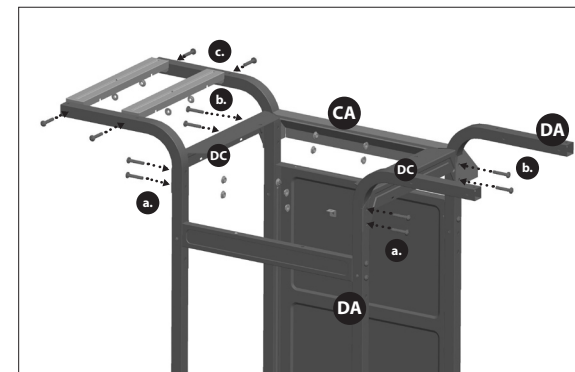


c. Assemble the wheels (DI) to the left cart legs (DA) and bottom brace (DH), as shown.

YOU WILL NEED:

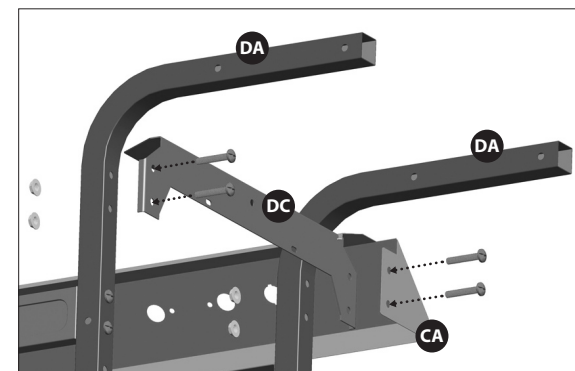


3



a. Assemble the rear left burner box support bracket (DC) and rear right burner box support bracket first (DC)

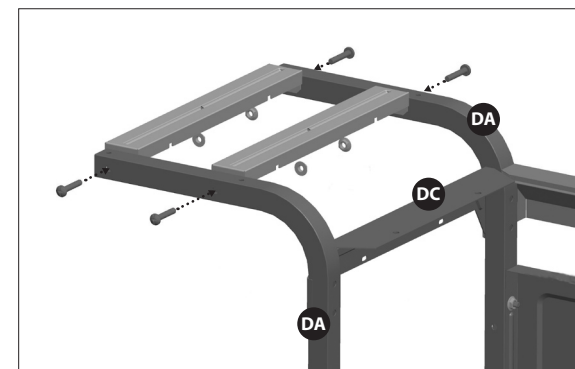
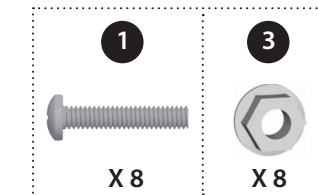
**Tip: One person should align the burner box support brace and control panel, while the second person assembles the hardware**



b. Assemble the control panel (CA) together with the front left and right burner box support (DC)

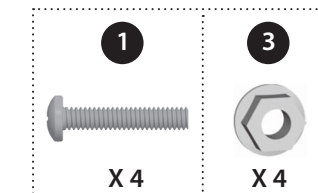
**Only tighten all hardware once correct assembly has been verified.**

YOU WILL NEED:



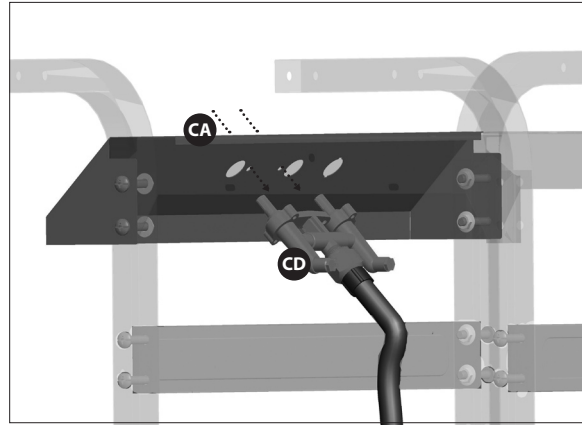
c. Assemble two cart leg support brackets (DH), to the top of the right cart legs (DA), as shown.

YOU WILL NEED:



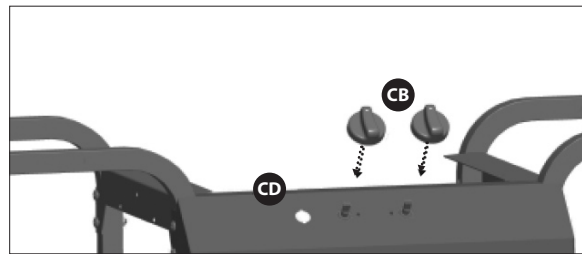
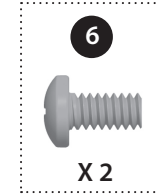
## ASSEMBLY INSTRUCTIONS

# 4

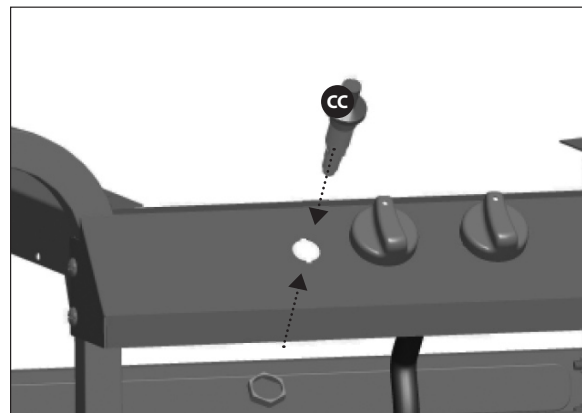


a. Position the valve assembly (CD) through the back of the control panel (CA), and assemble.

YOU WILL NEED:



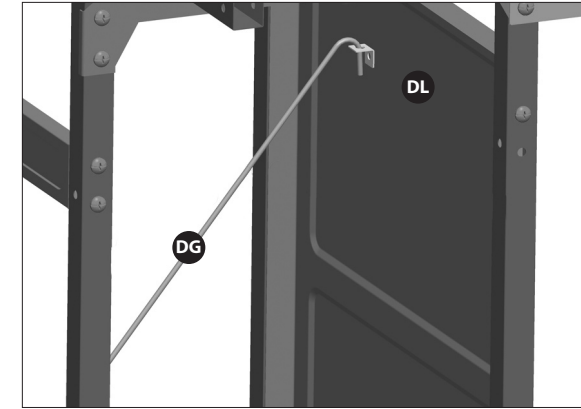
b. Position the control knobs (CB) onto valve assembly stems (CD).



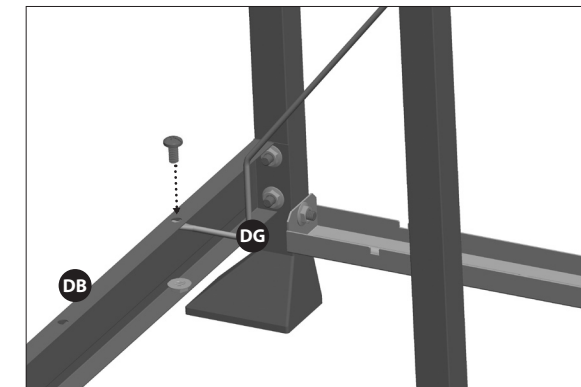
c. Assemble the igniter (CC) through the front of the control panel (CA), as shown.

## ASSEMBLY INSTRUCTIONS

# 5

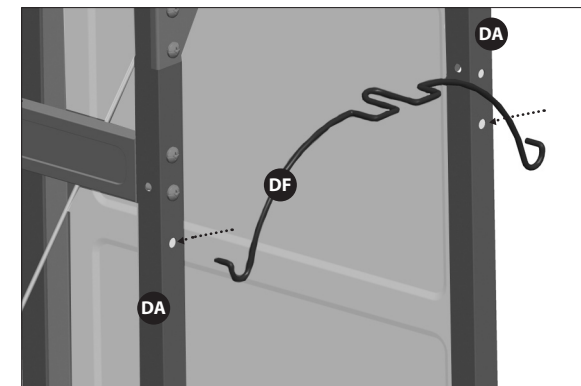
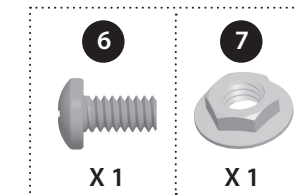


a. Hook the curved end of the tank exclusion (DG) into the clip located on the back of the front panel (DL).



b. Assemble the other end of the tank exclusion (DG) to the bottom of the back support brace (DB), as shown.

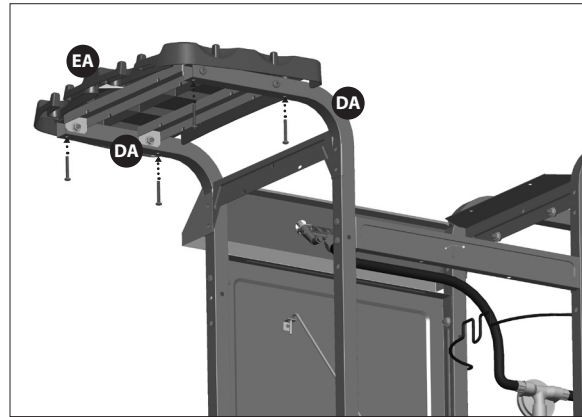
YOU WILL NEED:



c. Attach the gas tank support (DF) to the left side cart legs (DA).



6

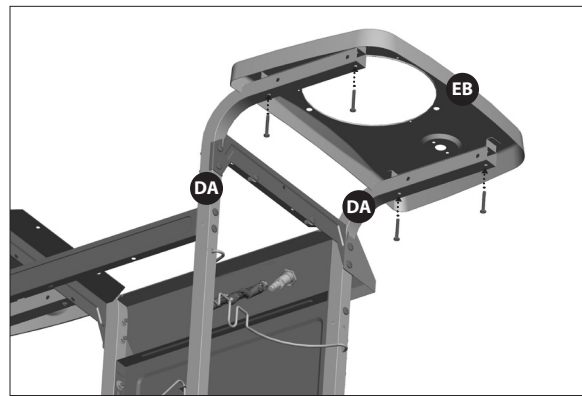
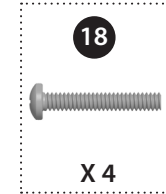


View from the back of cart assembly

**SIDE SHELF ASSEMBLY**

a. Assemble the right side shelf (EA) to the right cart legs (DA), as shown.

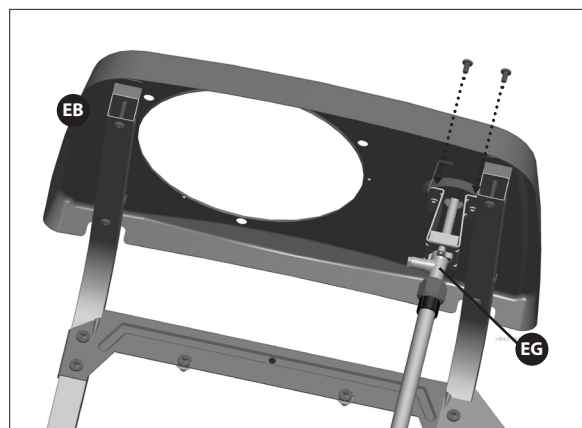
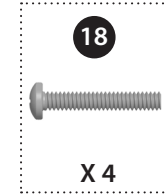
YOU WILL NEED:



View from the back of cart assembly

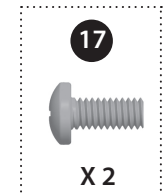
b. Assemble the left side burner table (EB) to the left cart legs (DA) by sliding the side burner table on to the cart legs as shown.

YOU WILL NEED:



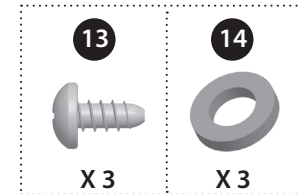
c. Assemble the side burner valve assembly (EF) to the side burner table (EB).

YOU WILL NEED:

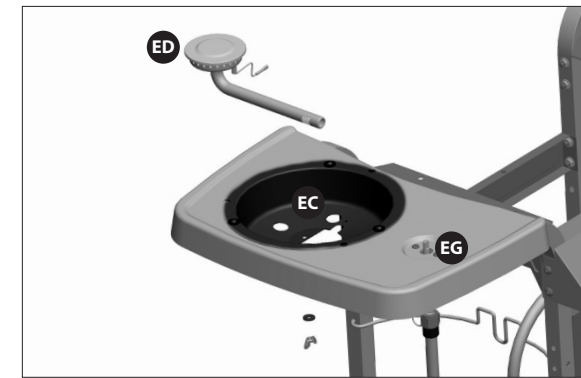


d. Assemble the side burner drip pan (EC) to the side burner table (EB), as shown.

YOU WILL NEED:

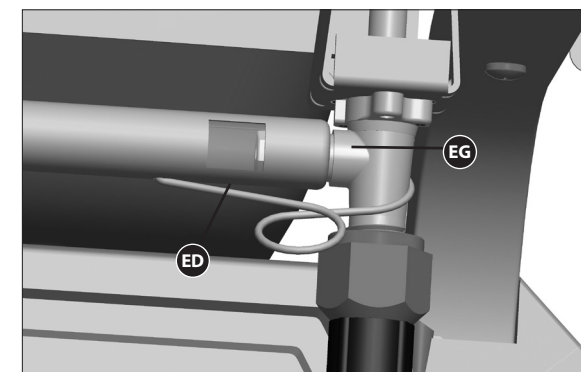
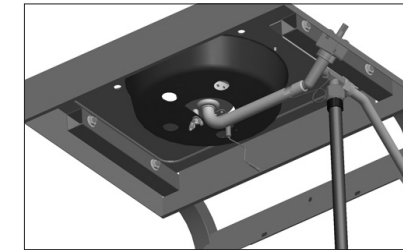
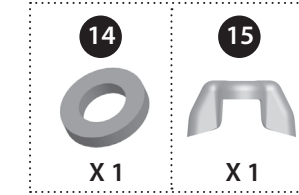


6



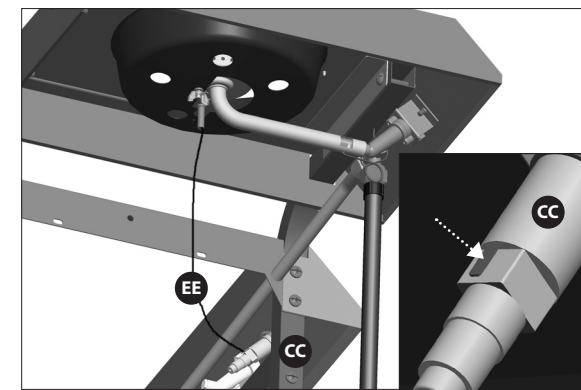
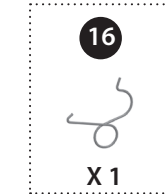
e. Position the side burner (ED) through the opening in the side burner drip pan (EC). Make sure the side burner (ED) engages the side burner valve (EG), and assemble.

YOU WILL NEED:



f. Connect the side burner (ED) to the side burner valve (EG), using the venturi clip (#16), as shown.

YOU WILL NEED:



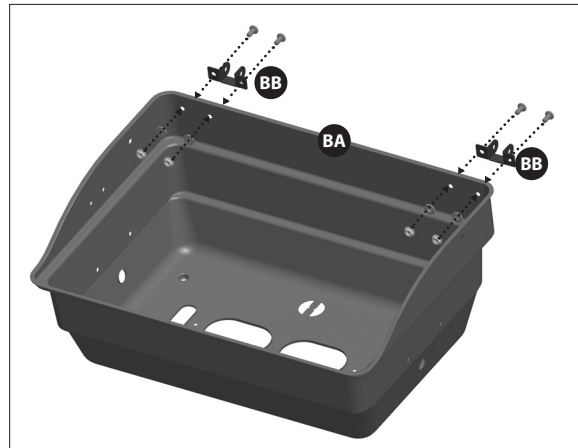
g. Attach the end of the side burner electrode wire (EE) to the ignitor (CC) as shown in figure B. Ensure that the wire is pushed in firmly.



h. Place the side burner cooking grate (EF) into position on the side burner shelf (EB).

i. Position the side burner control knob (CB) over the side burner valve stem (EG).

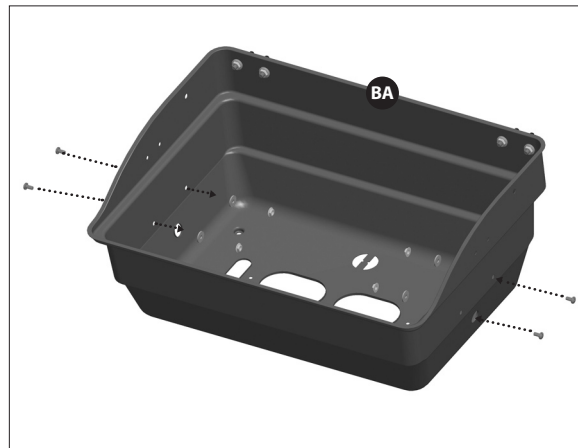
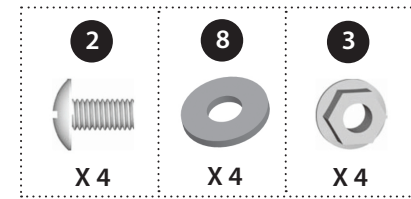
7



**BURNER BOX ASSEMBLY**

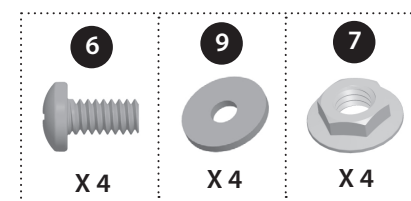
a. Assemble the lower hinge (BB) x 2 on the back of the burner box assembly (BA), as shown.

YOU WILL NEED:



b. Assemble hardware into burner box assembly (BA), as shown. **Note: This hardware will be used in a later step to support the flame tamer (BD).**

YOU WILL NEED:

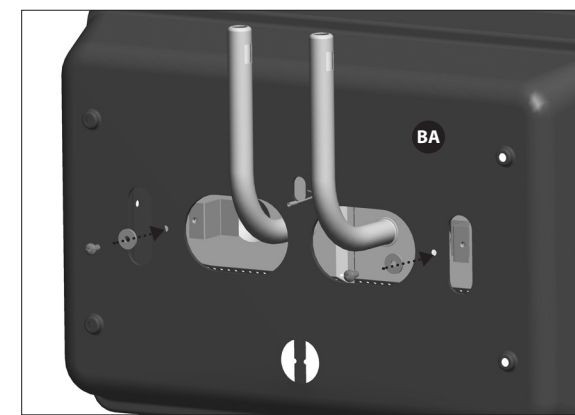
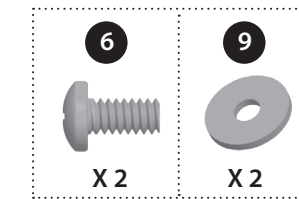


8

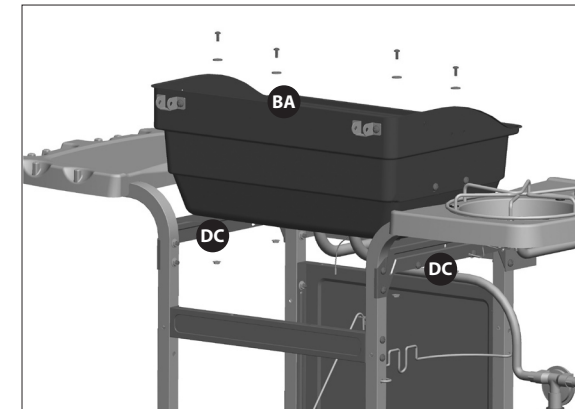


Assemble the burner (BE) into the burner box assembly (BA), with the burner venturi tubes facing forward.

YOU WILL NEED:



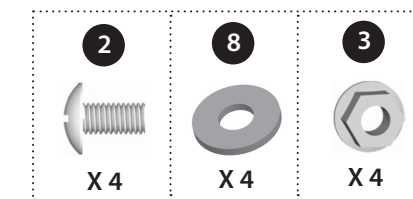
9



Position the burner box assembly (BA) onto the burner box supports (DC).

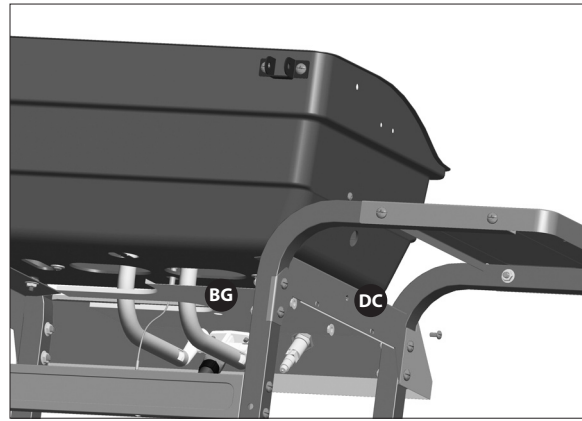
**Before assembling make sure the burner (BE) engages the valve assembly (CD).**

YOU WILL NEED:



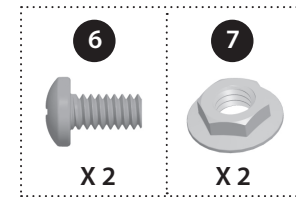
## ASSEMBLY INSTRUCTIONS

10

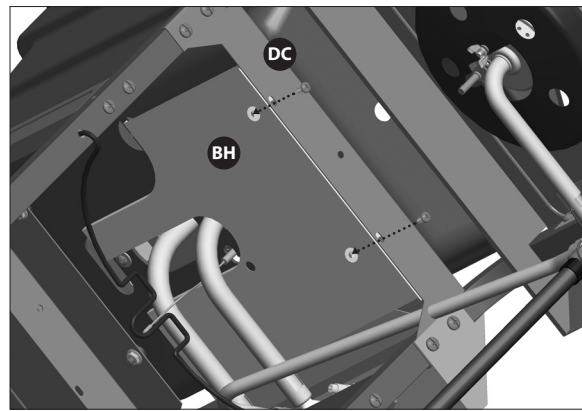


Assemble the heat shield (BG) to the inside of the left burner box support (DC), as shown.

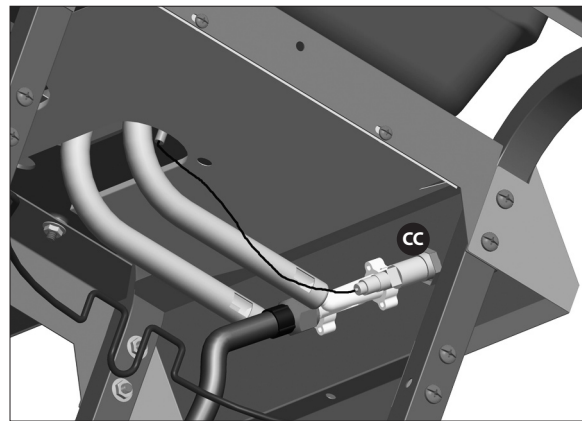
YOU WILL NEED:



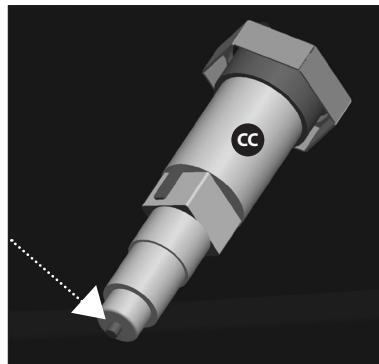
**CAUTION: SHARP EDGES,  
WEAR SAFETY GLOVES DURING  
ASSEMBLY**



11

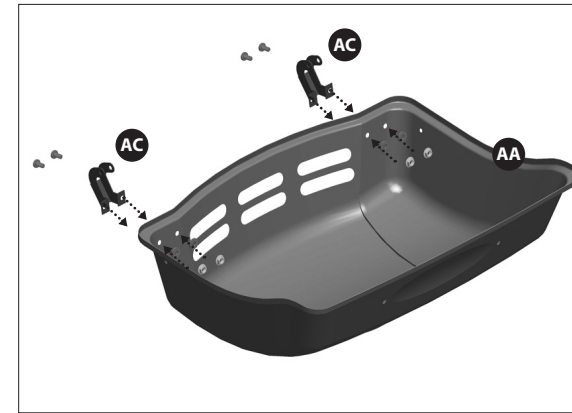


Attach the electrode wire (BF2) to the igniter (CC).



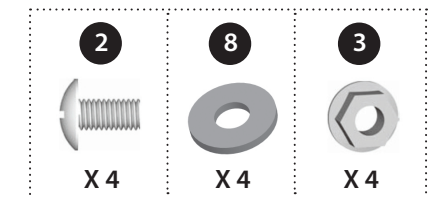
## ASSEMBLY INSTRUCTIONS

12

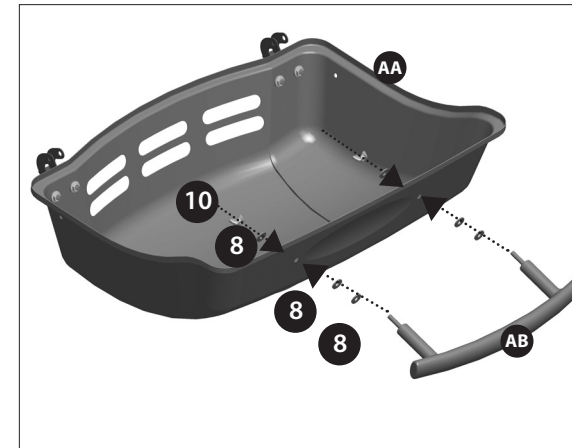


Assemble the upper hinge (AC x2) to the top lid assembly (AA).

YOU WILL NEED:

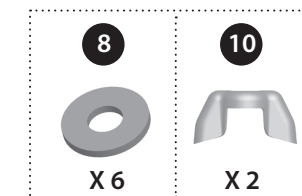


13

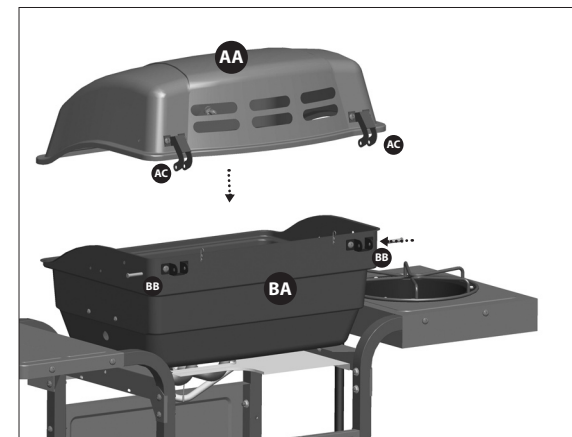


Assemble the top lid handle (AB) to the top lid assembly (AA).

YOU WILL NEED:

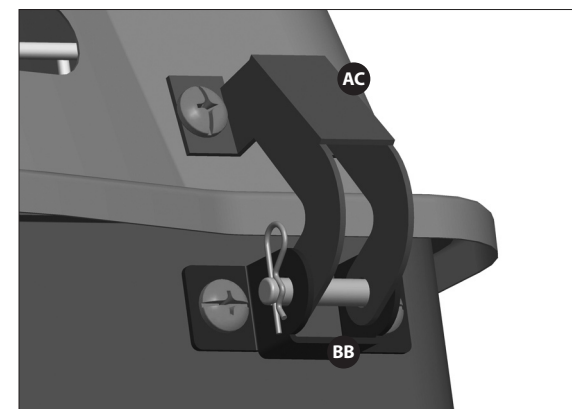
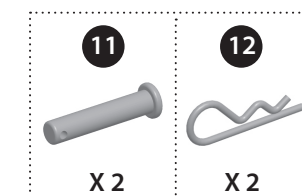


14



To assemble the top lid assembly (AA) to the burner box assembly (BA), position the upper hinges (AC) in between the lower hinges (BB), position hardware and lock into place using the hitch pins.

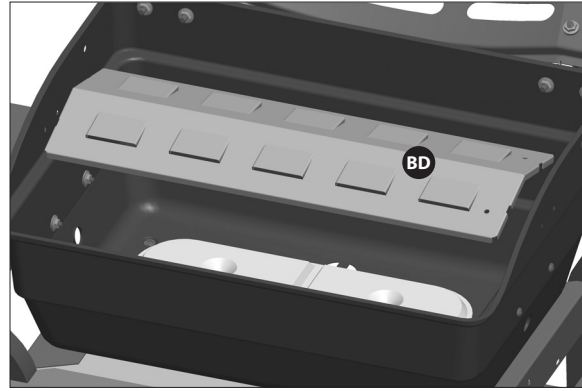
YOU WILL NEED:





## ASSEMBLY INSTRUCTIONS

15



Position the flame tamer (BD) into the burner box assembly (BA). **Note: The flame tamer (BD) should be placed on to the hardware assembled in Step 7b.**

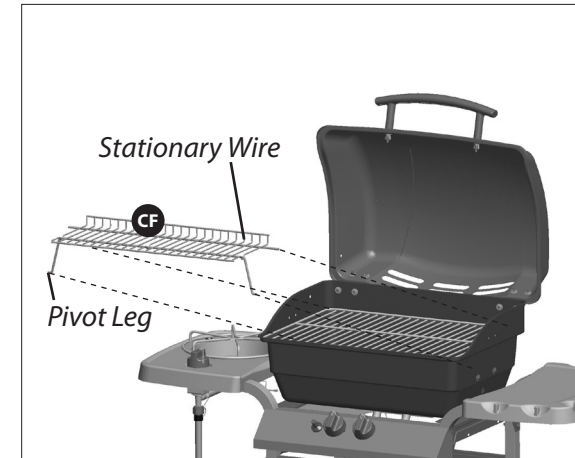
16



Position the cooking grate (BC) into the burner box assembly (BA).

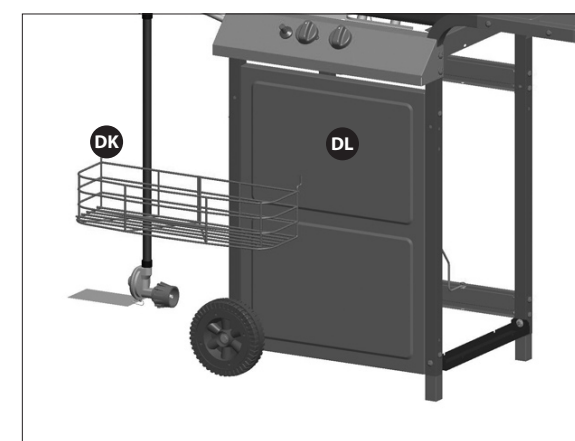
## ASSEMBLY INSTRUCTIONS

17



To assemble the warming rack (CF) insert the stationary wire into the holes on the sides of the lid. Insert warming rack pivot legs into the holes on the inside of the burner box assembly, as shown.

18



Attach the condiment basket (DK) onto front panel (DL).

# ASSEMBLY INSTRUCTIONS

# 19



Hook the grease cup hook (DD) to the bottom of the burner box assembly (BA), as shown. Place the grease cup (DE) into the grease cup hook (DD).

