



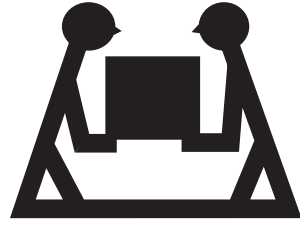
S482 Barbecue Assembly Manual

85-3024-4 (G43226) Propane
85-3025-2 (G43227) Natural Gas

1 YEAR LIMITED WARRANTY

**READ AND SAVE MANUAL FOR FUTURE REFERENCE.
If pre-assembled, leave this manual with unit for
consumer's future reference.**

**For product inquiries, parts, warranty and
troubleshooting support, please call 1-877-707-5463.**



HEAVY ARTICLE NEEDS 2 TO LIFT

THIS MANUAL MUST REMAIN WITH THE PRODUCT AT ALL TIMES

To ORDER non-warranty replacement parts or accessories, or to register your warranty, please visit us on the web at www.masterchefbbqs.com

CAUTION

Sharp edges. Wear gloves when assembling your grill.

CAUTION

Read and follow all safety statements, assembly instructions, use and care directions before attempting to assemble and cook.

INSTALLER OR ASSEMBLER/CONSUMER

This manual should be kept with the BBQ at all times.

WARNING

Failure to follow all of the Manufacturer's instructions could result in hazardous fires, explosions, property damage, or serious personal injury or even death.

Follow all leak check procedures carefully prior to operation of barbecue, even if grill was dealer assembled. Do not try to light this barbecue without reading the Lighting Instructions section of this manual.

DANGER

1. If you smell Gas:
 - a. Shut off gas to the appliance
 - b. Extinguish any open flame
 - c. Open lid
 - d. If odor continues, keep away from the appliance and immediately call your gas supplier or your fire department
2. Do not store or use gasoline or other flammable vapours and liquids in the vicinity of this or any other appliance.
3. An LP cylinder not connected for use shall not be stored in the vicinity of this or any other appliance.
4. Requires two people to complete the assembly process.
5. Beware of sharp edges.

THIS BARBECUE IS FOR OUTDOOR USE ONLY

CONTACT CALL CENTRE IF ANY PARTS ARE MISSING

1-877-707-5463

HARDWARE PACK

TOOLS NEEDED FOR ASSEMBLY

- #2 Phillips screwdriver (long and short)
- ¼" Slotted screwdriver (long and short)
- Adjustable wrench
- Pliers

Before assembling the barbecue, read these instructions carefully.

Assemble the barbecue on a flat, clean surface. Grill is heavy. You should have at least two people assemble the barbecue together.

Notes: Do not fully tighten all the nuts during this initial stage.

KEY #	DESCRIPTION	PART NUMBER	QUANTITY
1	1/4"-20X1/2"X13mm Screw	20120-13013-036	12
2	1/4"-20X1-1/2"X38mm Screw	20120-13038-036	4
3	1/4"-20UNC nut	31220-13000-036	12
4	#8X3/8" self tapping Screw	24200-42008-136	12
5	Ø7 fiber washer	G431-0018-9000	8
6	wheel spacer	G650-0012-9091	2
7	hitch pin	G306-0005-9088	1
8	washer(wheel)	G650-0013-9091	1

Caution: Sheet metal can cause injury. Wear gloves when installing the grill.

1



1/4"-20X1/2"X13mm Screw
X 12

2



1/4" x 20X1-1/2"X38 mm Screw
X 4

3



1/4" - 20UNC Nut
X 12

4



#8X3/8" Self Tapping Screw
X 12

5



Ø7 Fiber Washer
X 8

6



Wheel Spacer
X 2

7



Hitch Pin
X 1

8

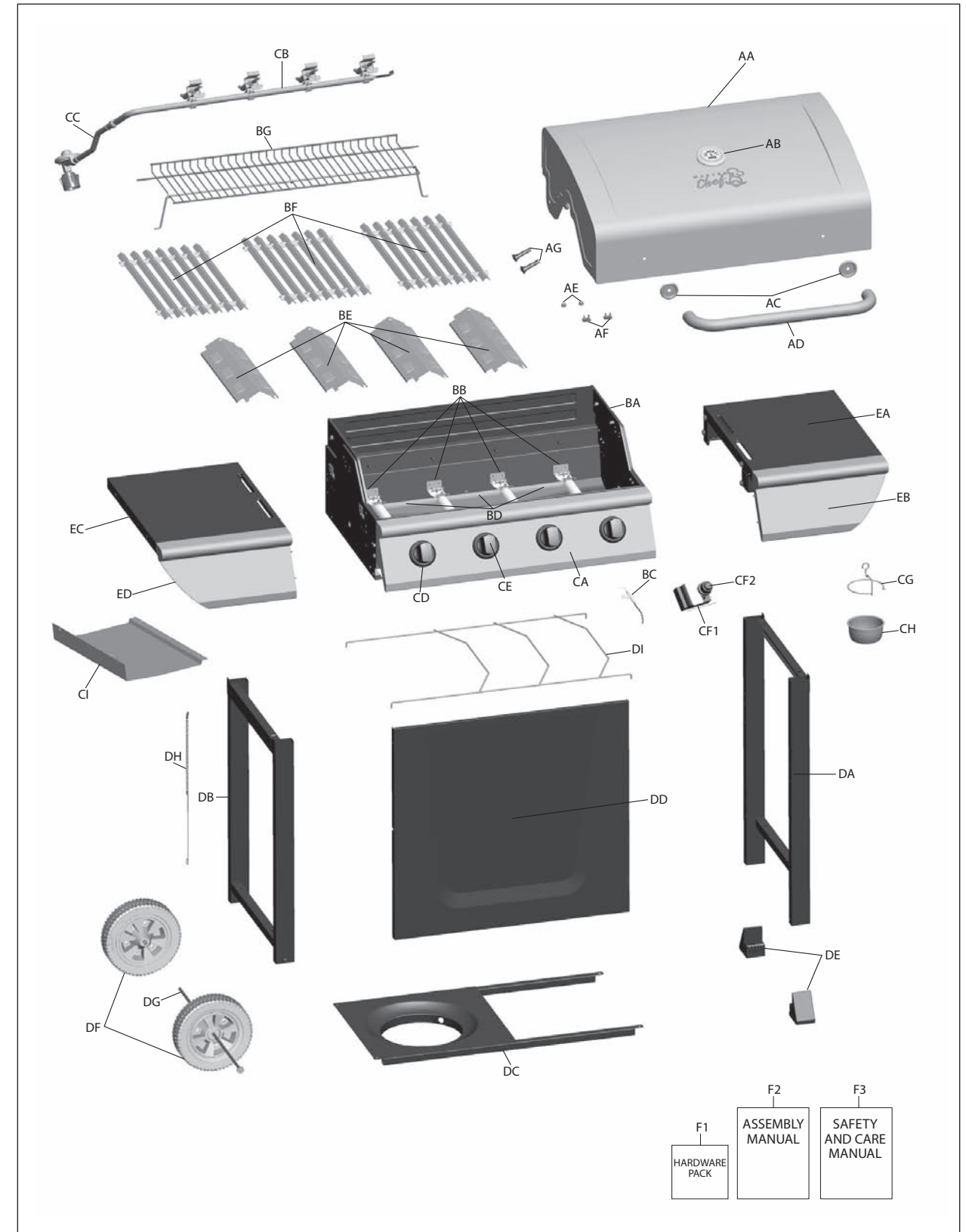


Washer (Wheel)
X 1

PARTS LIST (PROPANE) FOR 85-3024-4 (G43226)

KEY #	QUANTITY	DESCRIPTION	PART NO.
AA	1	Top lid assembly	G432-C400-01
AB	1	Thermometer and bezel	G432-R200-01
AC	2	Lid handle brackets	G432-0030-01
AD	1	Top lid handle	G432-0029-01
AE	2	Lid bumpers- back	G303-0038-01
AF	2	Lid bumpers-Front	G430-00B8-01
AG	2	Screws for Lid	G430-0024-02
BA	1	Burner box assembly	G432-1900-A1
BB	4	Burners	G432-B500-01
BC	1	Electrode set, main burners	G501-0010-01
BD	3	Burner brace assembly	G432-0078-01
BE	4	Flame tamers	G430-0005-01
BF	3	Cooking Grates	G432-4300-01
BG	1	Warming Rack	G432-0001-01
CA	1	Control Panel	G432-U701-01
CB	1	Manifold assembly	G432-U800-01
CC	1	Regulator	G402-0069-01
CD	4	Bezel, control knob	G430-0027-02
CE	4	Control knob	G432-0090-01
CF1	1	Electronic ignition assembly	G409-0021-A1
CF2	1	Electronic ignition button	G308-0025-01
CG	1	Grease cup hook	G305-0043-01
CH	1	Grease cup	G430-0033-02
CI	1	Heat shield	G432-Q101-01
DA	1	Cart side panel, right	G430-2300-01
DB	1	Cart side panel, left	G432-B700-01
DC	1	Bottom shelf	G432-1300-01
DD	1	Front panel	G432-0033-01
DE	2	End caps	G430-0023-01
DF	2	Wheel	G401-0058-01
DG	1	Wheel axle	G650-0011-01
DH	1	Match holder	G401-0079-01
DI	1	Tank exclusion	G432-5302-01
EA	1	Side shelf table (right)	G432-3600-01
EB	1	Side shelf fascia(right)	G432-0064-01
EC	1	Side shelf table (left)	G432-A200-01
ED	1	Side shelf fascia (left)	G432-0072-01
F1	1	Hardware pack	G432-B015-01
F2	1	Assembly instructions	G432-M026-01
F3	1	Safe use and care manual	G207-M015-02

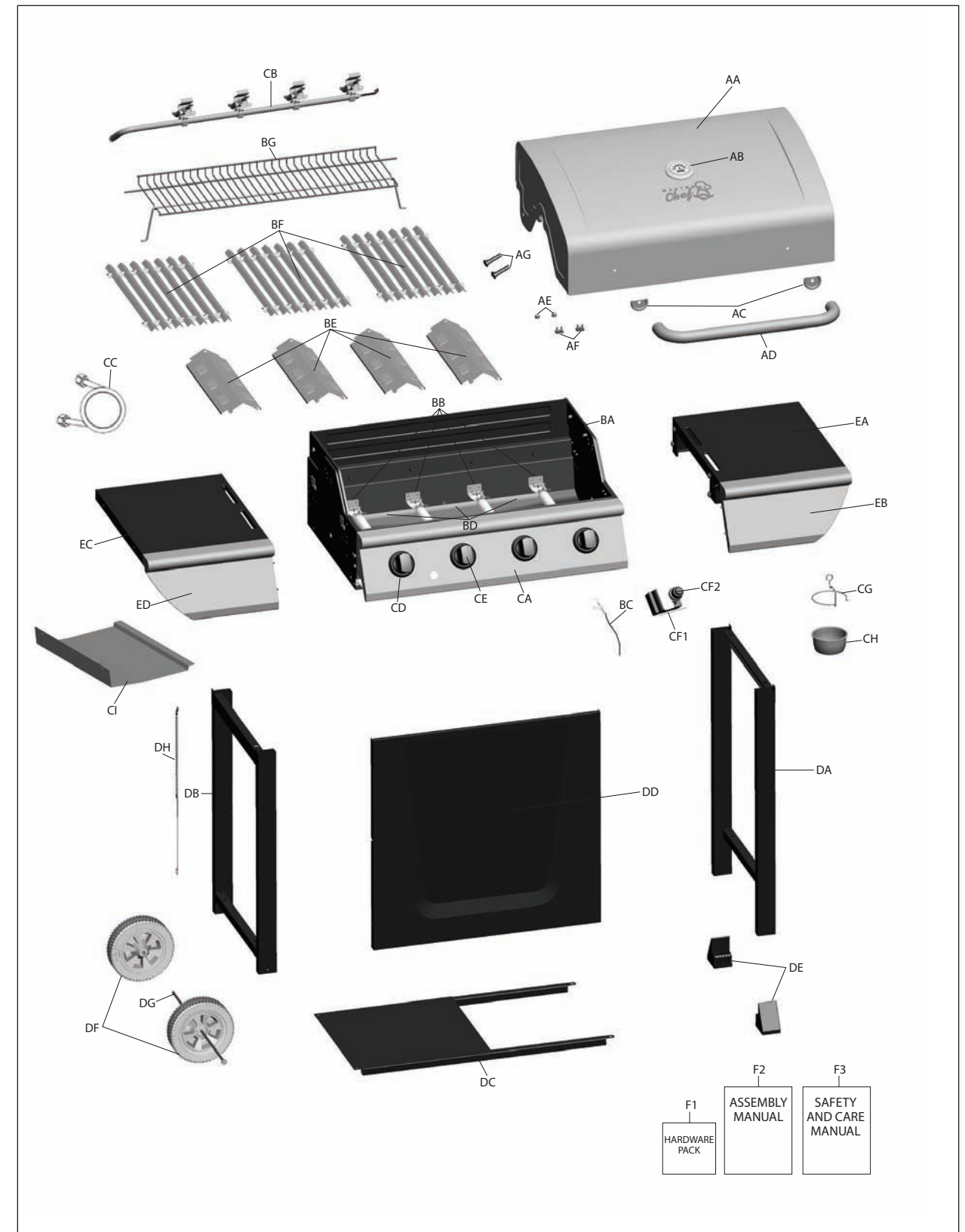
EXPLODED DIAGRAM (PROPANE) FOR 85-3024-4 (G43226)



PARTS LIST (NATURAL GAS) FOR 85-3025-2 (G43227)

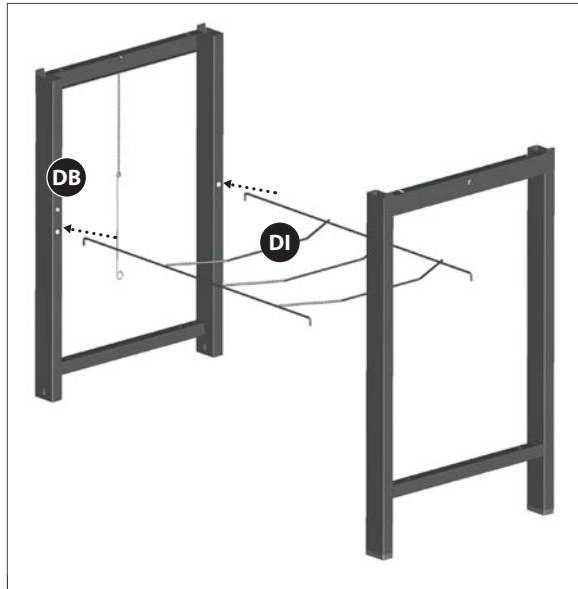
KEY #	QUANTITY	DESCRIPTION	PART NO.
AA	1	Top lid assembly	G432-C400-01
AB	1	Thermometer and bezel	G432-R200-01
AC	2	Lid handle brackets	G432-0030-01
AD	1	Top lid handle	G432-0029-01
AE	2	Lid bumpers- back	G303-0038-01
AF	2	Lid bumpers-Front	G430-00B8-01
AG	2	Screws for Lid	G430-0024-02
BA	1	Burner box assembly	G432-1900-A1
BB	4	Burners	G432-B600-01
BC	1	Electrode set, main burners	G501-0010-01
BD	3	Burner brace assembly	G432-0078-01
BE	4	Flame tamers	G430-0005-01
BF	3	Cooking Grates	G432-4300-01
BG	1	Warming Rack	G432-0001-01
CA	1	Control Panel	G432-U701-01
CB	1	Manifold assembly	G432-V100-01
CC	1	Natural Gas Hose	G501-0099-01
CD	4	Bezel, control knob	G430-0027-02
CE	4	Control knob	G432-0090-01
CF1	1	Electronic ignition assembly	G409-0021-A1
CF2	1	Electronic ignition button	G308-0025-01
CG	1	Grease cup hook	G305-0043-01
CH	1	Grease cup	G430-0033-02
CI	1	Heat Shield	G432-Q101-01
DA	1	Cart side panel, right	G430-2300-01
DB	1	Cart side panel, left	G432-B700-01
DC	1	Bottom shelf	G432-4400-01
DD	1	Front panel	G432-0033-01
DE	2	End caps	G430-0023-01
DF	2	Wheel	G401-0058-01
DG	1	Wheel axle	G650-0011-01
DH	1	Match holder	G401-0079-01
EA	1	Side shelf table (right)	G432-3600-01
EB	1	Side shelf fascia (right)	G432-0064-01
EC	1	Side shelf table (left)	G432-A200-01
ED	1	Side shelf fascia (left)	G432-0072-01
F1	1	Hardware pack	G432-B015-01
F2	1	Assembly instructions	G432-M026-01
F3	1	Safe use and care manual	G207-M015-02

EXPLODED DIAGRAM (NATURAL GAS) FOR 85-3025-2 (G43227)

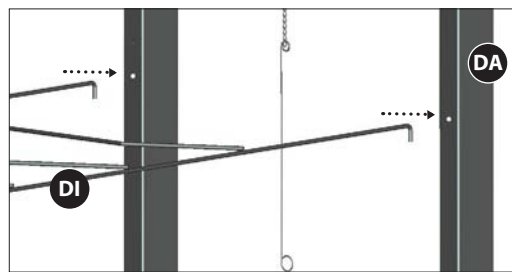


ASSEMBLY INSTRUCTIONS

1



Front View



Close Up

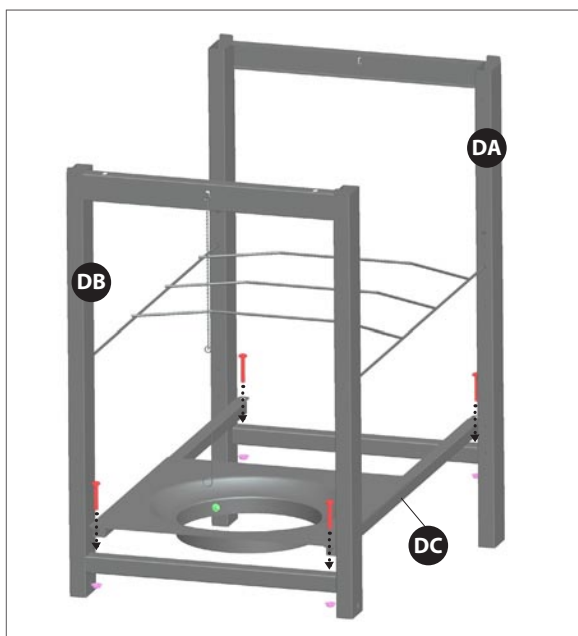
PROPANE MODEL ONLY

Note: You will need two people for this step.

Assemble the tank exclusion (DI) to the left and right cart side panels (DB, DA), as shown.

Note: The left cart side panel (DB) will have large holes on the end of the legs for assembling the wheel axle (DG).

2

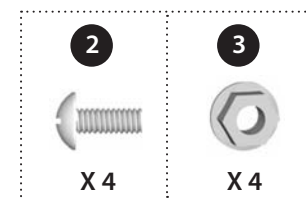


Left Side View

Note: The bottom shelf (DC) propane tank hole should be on the left side, closest to the Left cart side panel (DB).

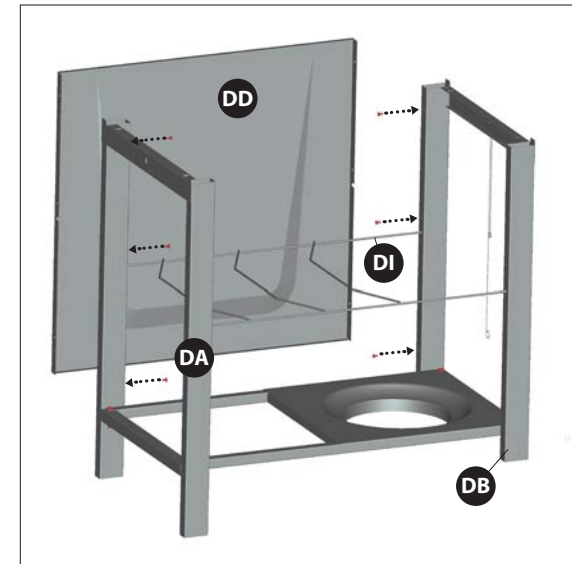
Assemble the bottom shelf (DC) to the rear, left and right cart side panels (DB, DA), as shown.

YOU WILL NEED:



ASSEMBLY INSTRUCTIONS

3

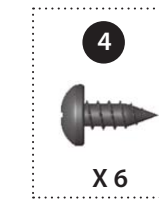


Back View

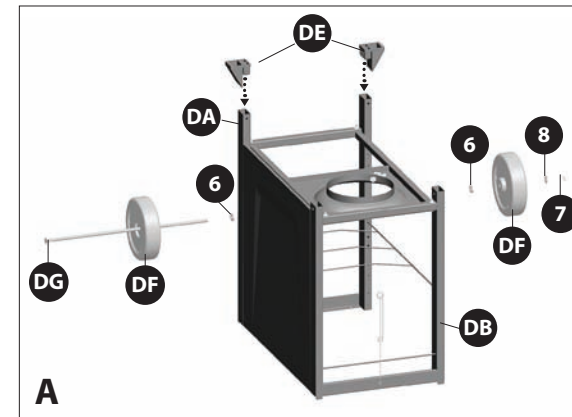
Assemble the front panel (DD) to the left and right cart side panels (DB, DA), as shown. Ensure that the slots on the tank exclusion (DI) align with the slots on the front panel (DD).

NATURAL GAS MODEL WILL NOT HAVE TANK EXCLUSION (DI), SHOWN IN IMAGE.

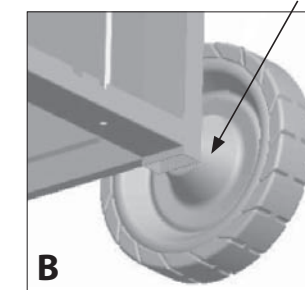
YOU WILL NEED:



4



A

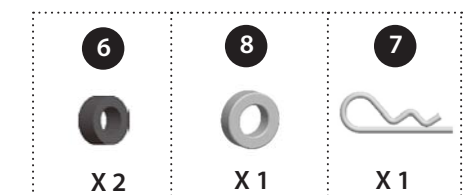


B

Note: Turn Cart assembly upside down.

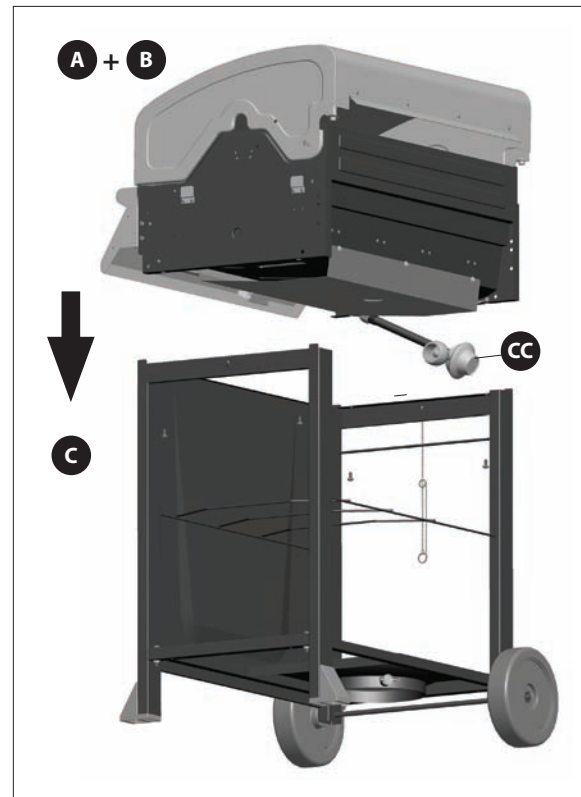
- Place wheel (DF) and wheel spacer (#6) onto wheel axle (DG). "Cone" side of wheel should be against cart side panel, figure B.
- Insert wheel axle assembly (DG) through wheel axle hole in the front and rear, of the left cart side panel (DB), as shown.
- To complete wheel assembly, position the wheel spacer (#6), wheel (DF), wheel washer (#8) and hitch pin (#7), onto wheel axle (DH), as shown.
- Insert end caps (DE) into cart side panel, right (DA).

YOU WILL NEED:



ASSEMBLY INSTRUCTIONS

5

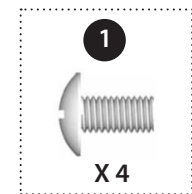


Back View

Note: TWO PEOPLE required for this step. Ensure that the regulator hose (CC) (Propane models only) is hanging outside of cart.

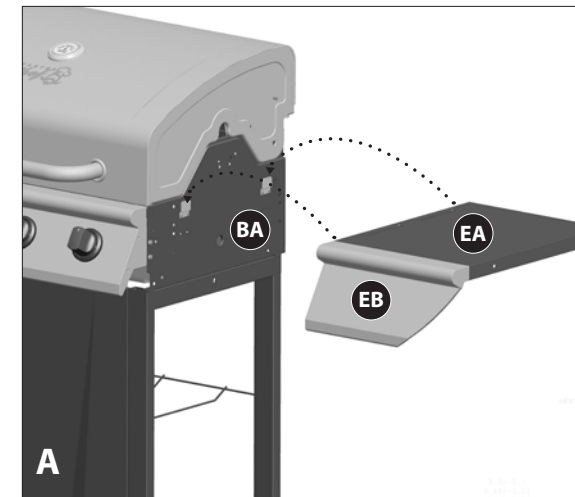
Position the lid and burner box assembly (A&B), onto the cart assembly (C), and assemble.

YOU WILL NEED:

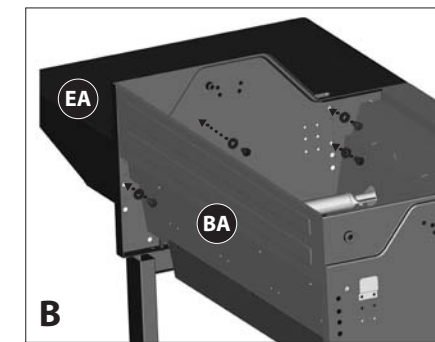


ASSEMBLY INSTRUCTIONS

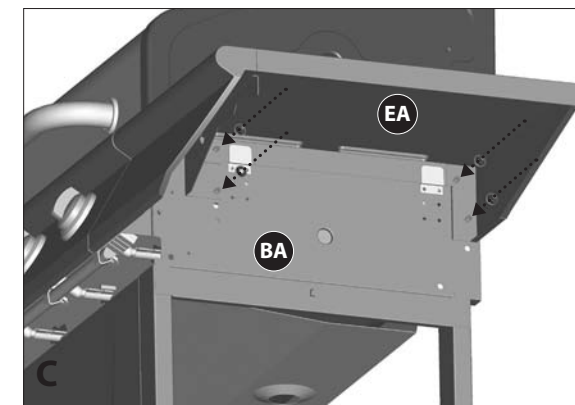
6



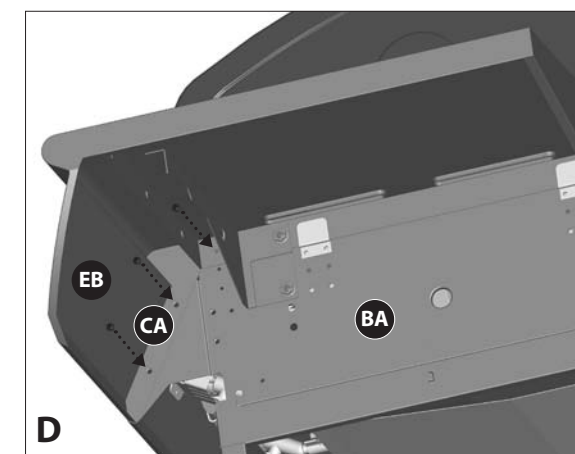
Front, right side view



Back View



View, under right side shelf



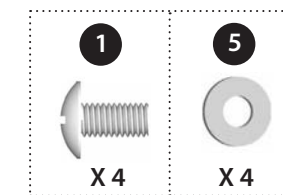
View, under right side shelf

RIGHT SIDE SHELF ASSEMBLY

a. Insert the right side shelf assembly hooks (EA & EB) into the support brackets located on the right side of the burner box assembly (BA).

b. Affix the right side shelf table (EA) to the burner box assembly (BA).

YOU WILL NEED:



c.

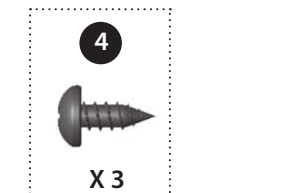
YOU WILL NEED:



d. Affix the right side shelf fascia (EB) to the control panel (CA).

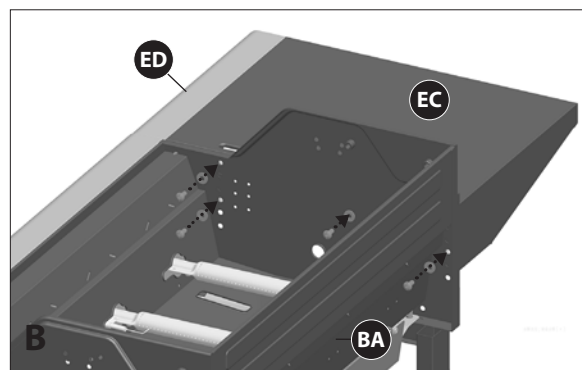
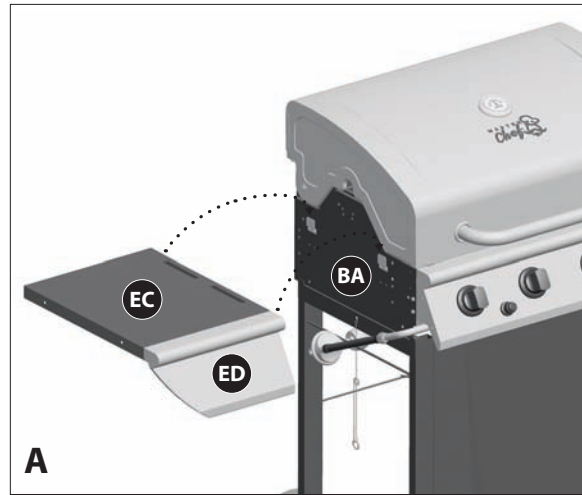
Securely tighten all hardware.

YOU WILL NEED:

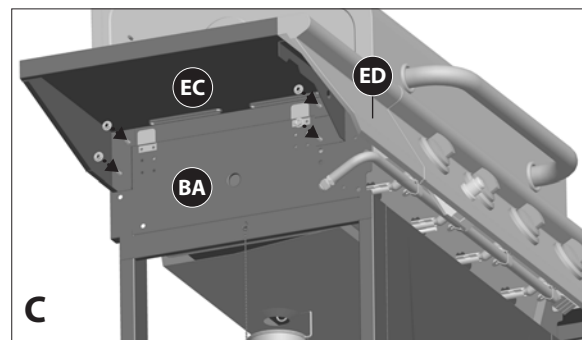


ASSEMBLY INSTRUCTIONS

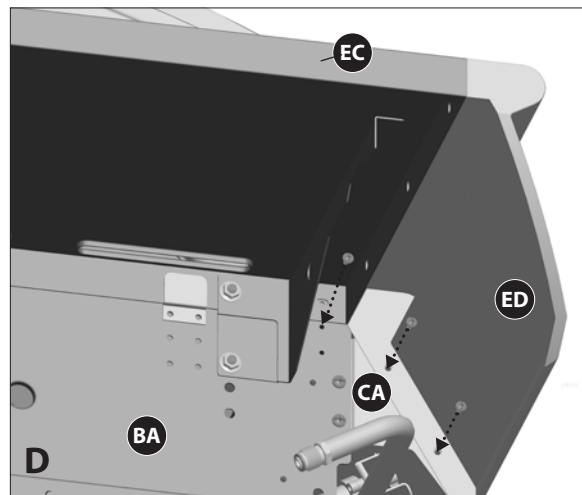
7



Back view



View, under left side shelf



View, under left side shelf

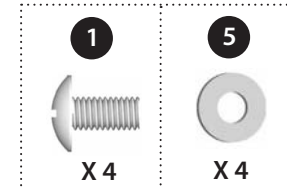
LEFT SIDE SHELF ASSEMBLY

a. Insert the left side shelf assembly hooks (EC and ED) into the support brackets located on the left side of the burner box assembly (BA).

b. Affix the left side shelf table (EC) to the burner box assembly (BA).

Securely tighten all hardware.

YOU WILL NEED (FIGURE B):

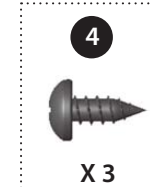


YOU WILL NEED (FIGURE C):



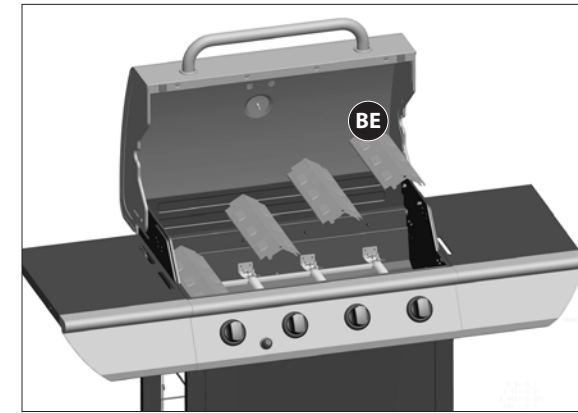
c. Affix the left side shelf fascia (ED) to the control panel (CA).

YOU WILL NEED:

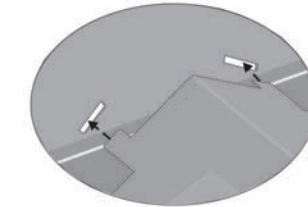
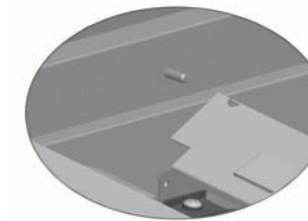


ASSEMBLY INSTRUCTIONS

8



Place the flame tamers (BE) into the burner box.



9



Place the cooking grates (BF) into the burner box.

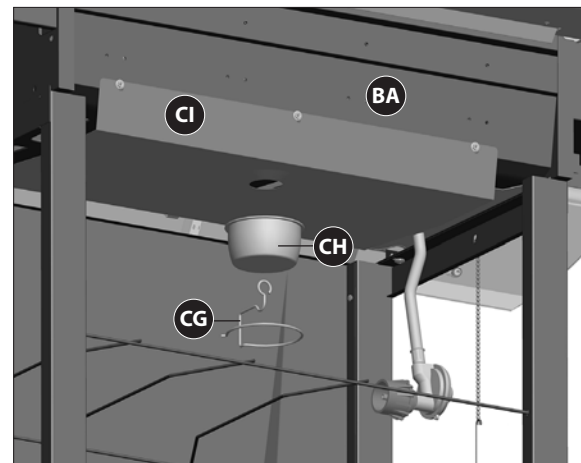
ASSEMBLY INSTRUCTIONS

10

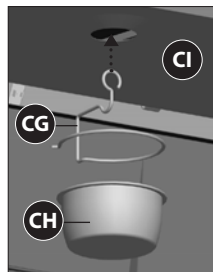


To assemble the warming rack (BG), insert the stationary wire into the holes on the sides of the lid. Insert warming rack pivot legs into the holes on the inside of the burner box assembly, as shown.

11



Back view



Hang the grease cup hook (CG) from the bottom of the burner box (BA), and place grease cup (CH) into position.

PROPANE MODEL SHOWN

⚠ CAUTION ⚠

Failure to assemble grease cup hook and grease cup will cause hot grease to drip from the bottom of the BBQ burner box, with the risk of fire, property damage, or personal injury.

ASSEMBLY INSTRUCTIONS

12



PROPANE MODEL SHOWN

Position the 20lb propane tank onto the bottom shelf (DC), as shown. Attach the regulator coupling nut (CC) to the LP cylinder valve.

ATTENTION: LP Cylinder is sold separately. Use only LP tanks that are equipped with an OPD (Overfill protection device). Fill and Leak check before attaching to the BBQ hose and regulator. See Safe Use and Care Manual, leak test procedure for more information

⚠ WARNING ⚠

When assembling regulator onto LP cylinder, ensure that the regulator is assembled below the support bar, as shown.

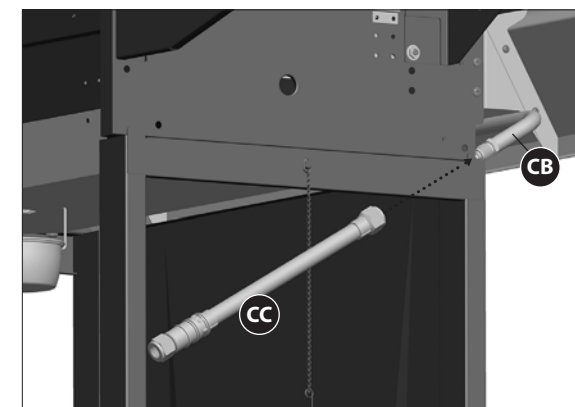
⚠ CAUTION ⚠

Cylinder valve must face to the front of cart once the tank is attached. Failure to install cylinder correctly may allow gas hose to be damaged in operation, resulting in fire.

⚠ WARNING ⚠

Always keep LP cylinder in upright position during use, transport and storage.

13



Left side view

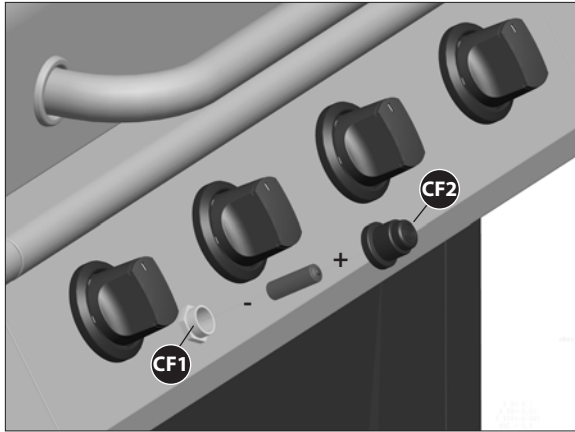
NATURAL GAS MODELS ONLY

Attach the natural gas hose (CC) to the manifold (CB), as shown.

ATTENTION: In order to complete installation of your natural gas BBQ a 1/2" or 3/8" adapter may be required to connect your BBQ's natural gas hose to your home gas supply. Contact your natural gas supplier to purchase the necessary part.

ASSEMBLY INSTRUCTIONS

14



Electronic ignition battery not included.

Unscrew the electronic ignition button (CF2) and insert one AA battery into the electronic ignition battery compartment (CF1), with the positive end facing outward.

